



US00D327728S

# United States Patent [19]

[11] Patent Number: **Des. 327,728**

Baker

[45] Date of Patent: **\*\* Jul. 7, 1992**

[54] **LAWN SPRINKLER FOR SPRAYING WATER, CHEMICALS, OR THE LIKE**

4,219,155 8/1980 Goerss ..... 239/247  
4,893,751 1/1990 Armstrong ..... 239/150

[76] Inventor: **Gerald E. Baker, 9325 Carbe Rd., Richmond, Va. 23236**

*Primary Examiner*—Bernard Ansher  
*Assistant Examiner*—Sandra Morris  
*Attorney, Agent, or Firm*—Norman B. Rainer

[\*\*] Term: **14 Years**

[21] Appl. No.: **430,799**

[57] **CLAIM**

[22] Filed: **Oct. 31, 1989**

The ornamental design for a lawn sprinkler for spraying water, chemicals, or the like, as shown and described.

[52] U.S. Cl. .... **D23/214; D15/13**

[58] Field of Search ..... **D23/213, 214, 219, 223; 239/127, 150, 198, 223, 243, 246-248, 722, 723, 735, 741; D15/13**

**DESCRIPTION**

[56] **References Cited**

**U.S. PATENT DOCUMENTS**

D. 283,426 4/1986 Cobia ..... D15/13  
D. 298,328 11/1988 Keough et al. .... D15/13  
4,015,613 4/1977 Papworth ..... 239/127

FIG. 1 is a left side elevational view of a lawn sprinkler for spraying water, chemicals, or the like, showing my new design;

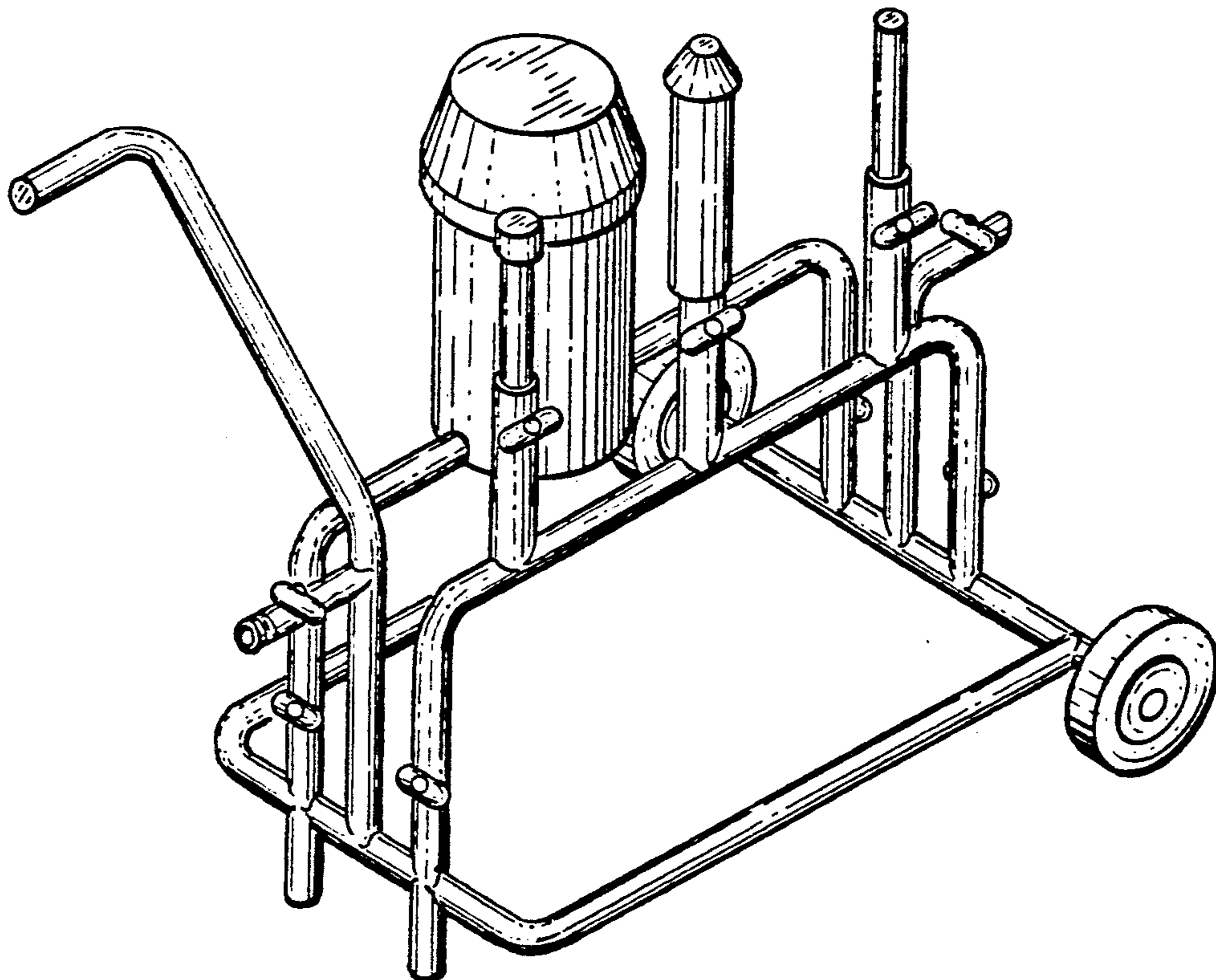
FIG. 2 is a right side elevational view thereof;

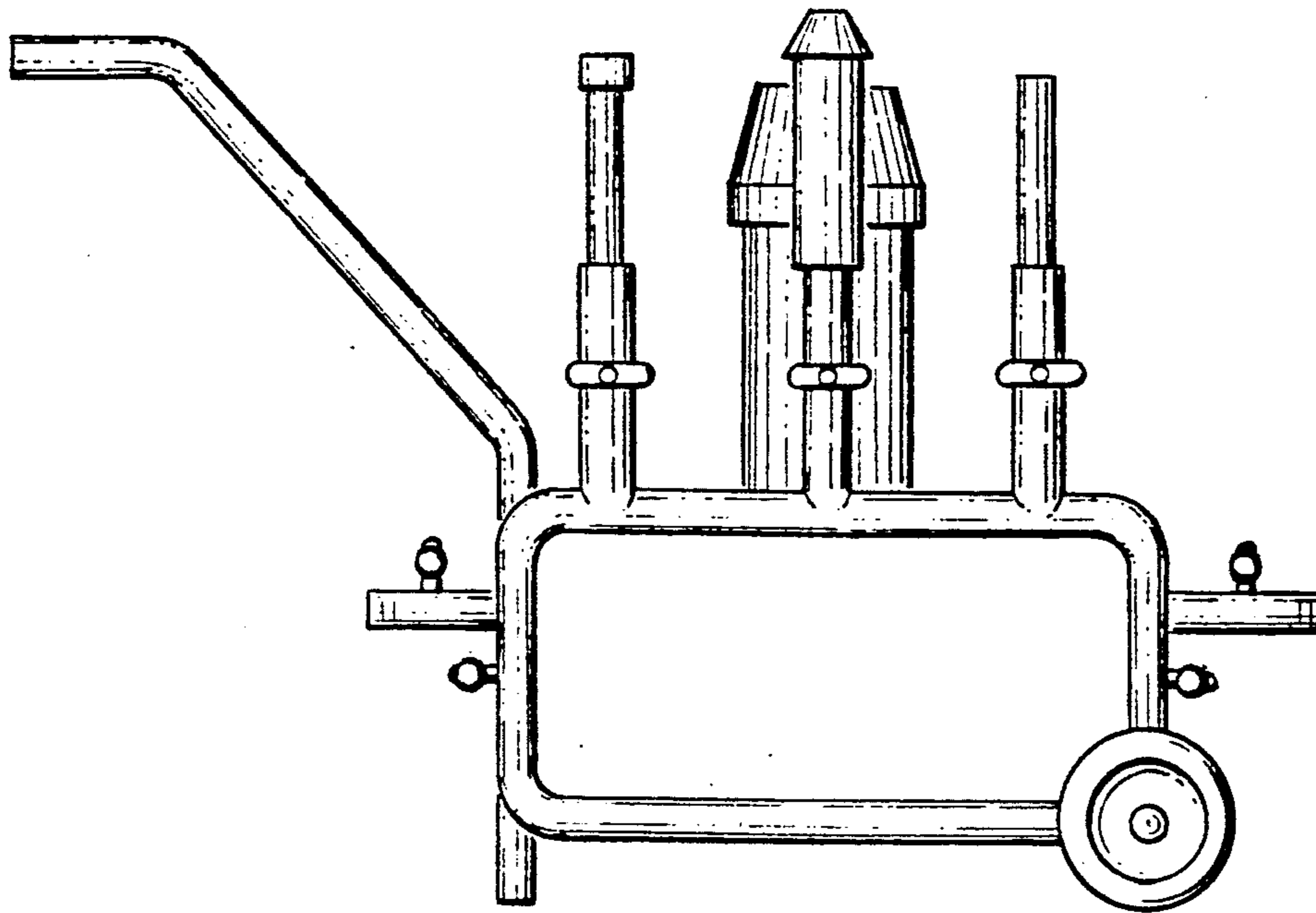
FIG. 3 is a top plan view thereof;

FIG. 4 is a rear elevational view thereof;

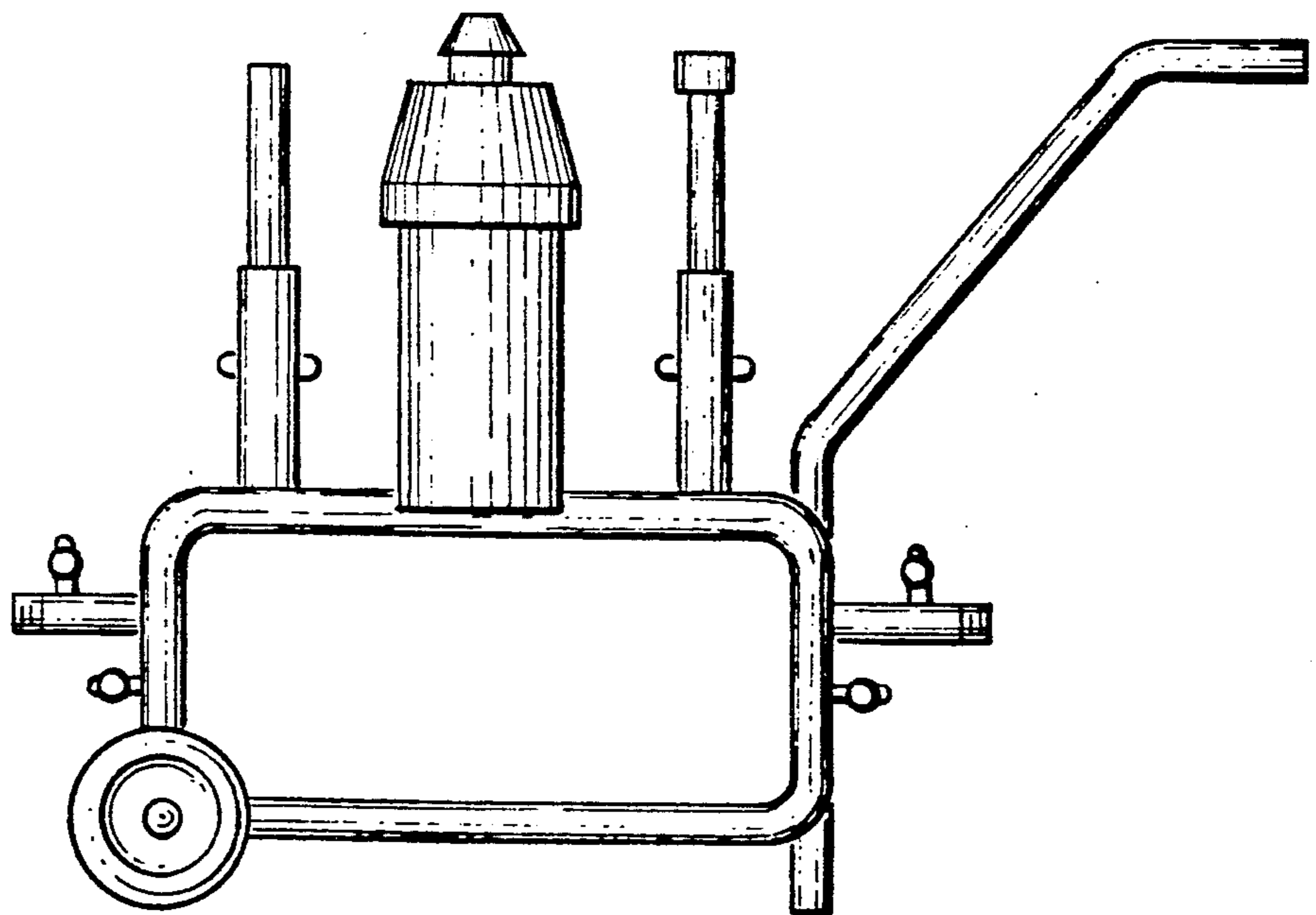
FIG. 5 is a front elevational view thereof; and,

FIG. 6 is a perspective view thereof.





*FIG. 1*



*FIG. 2*

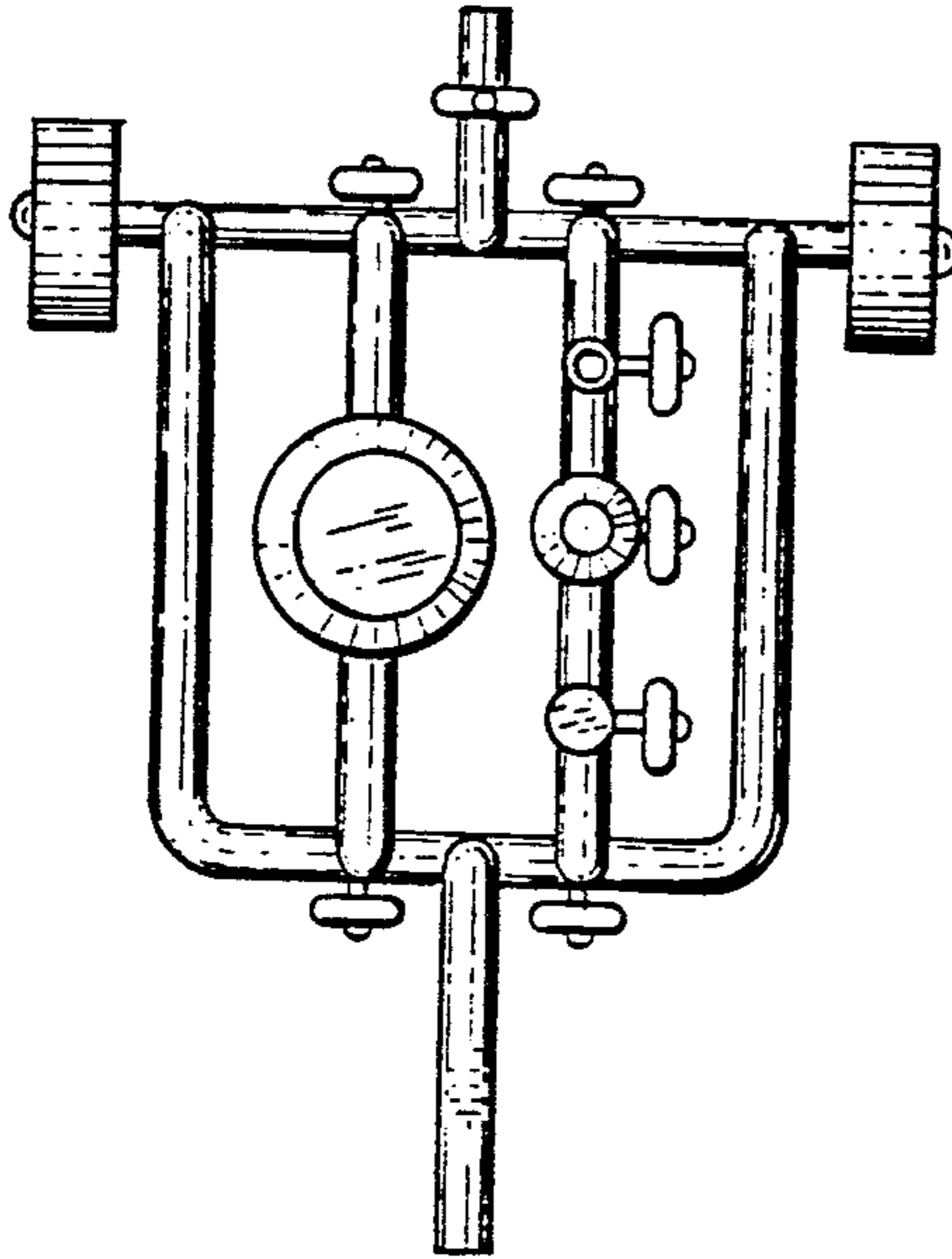


FIG. 3

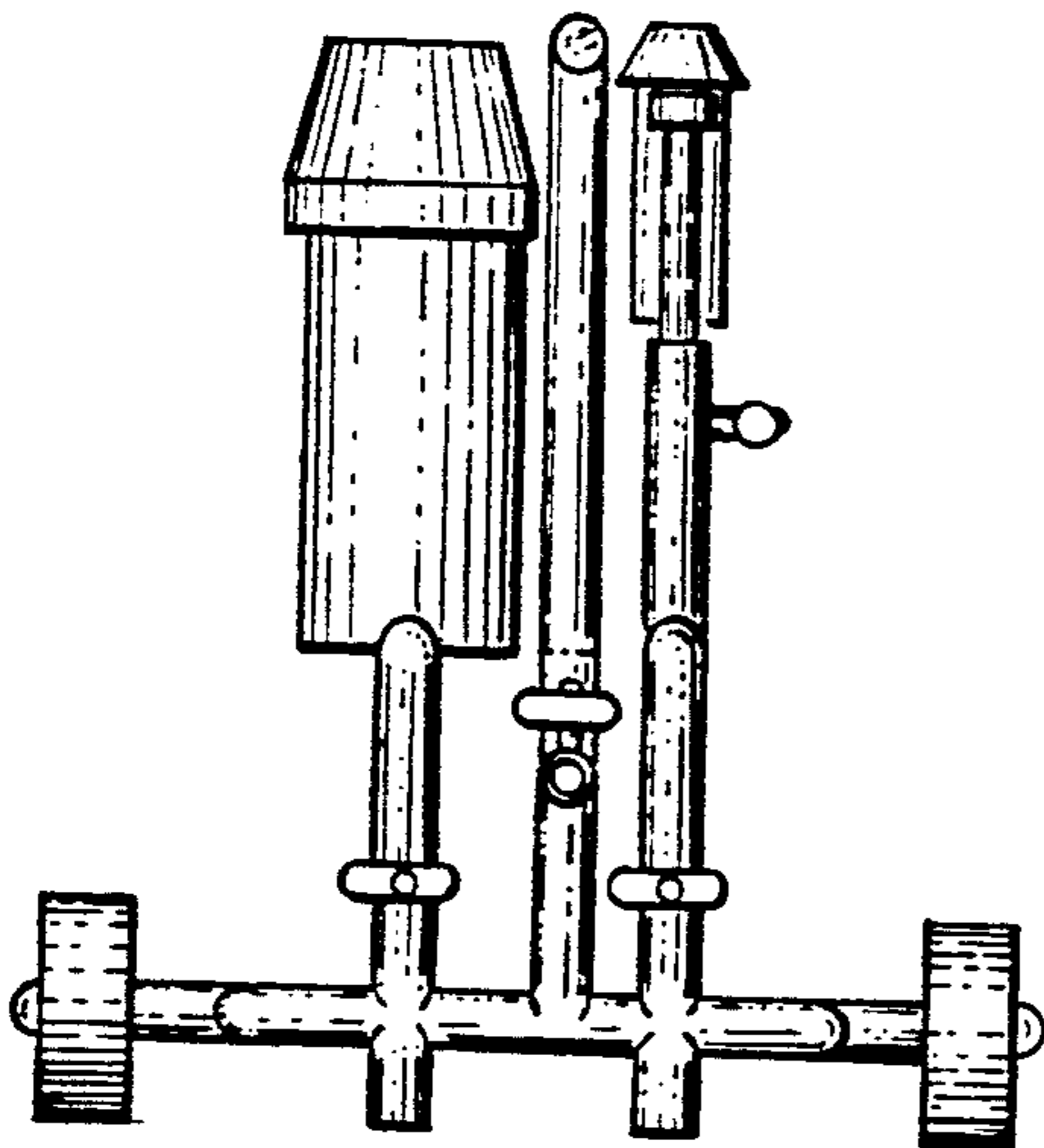


FIG. 4

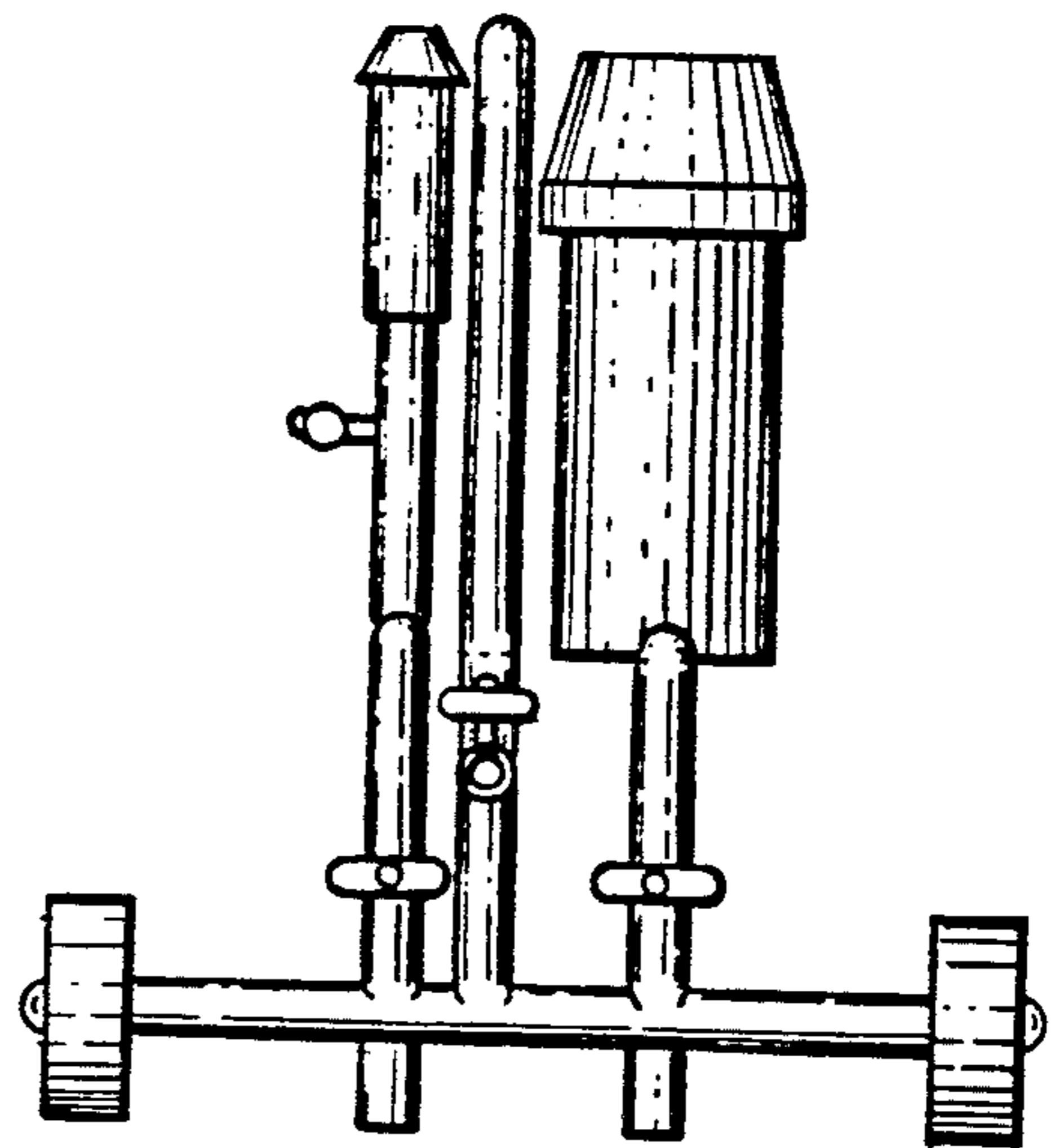
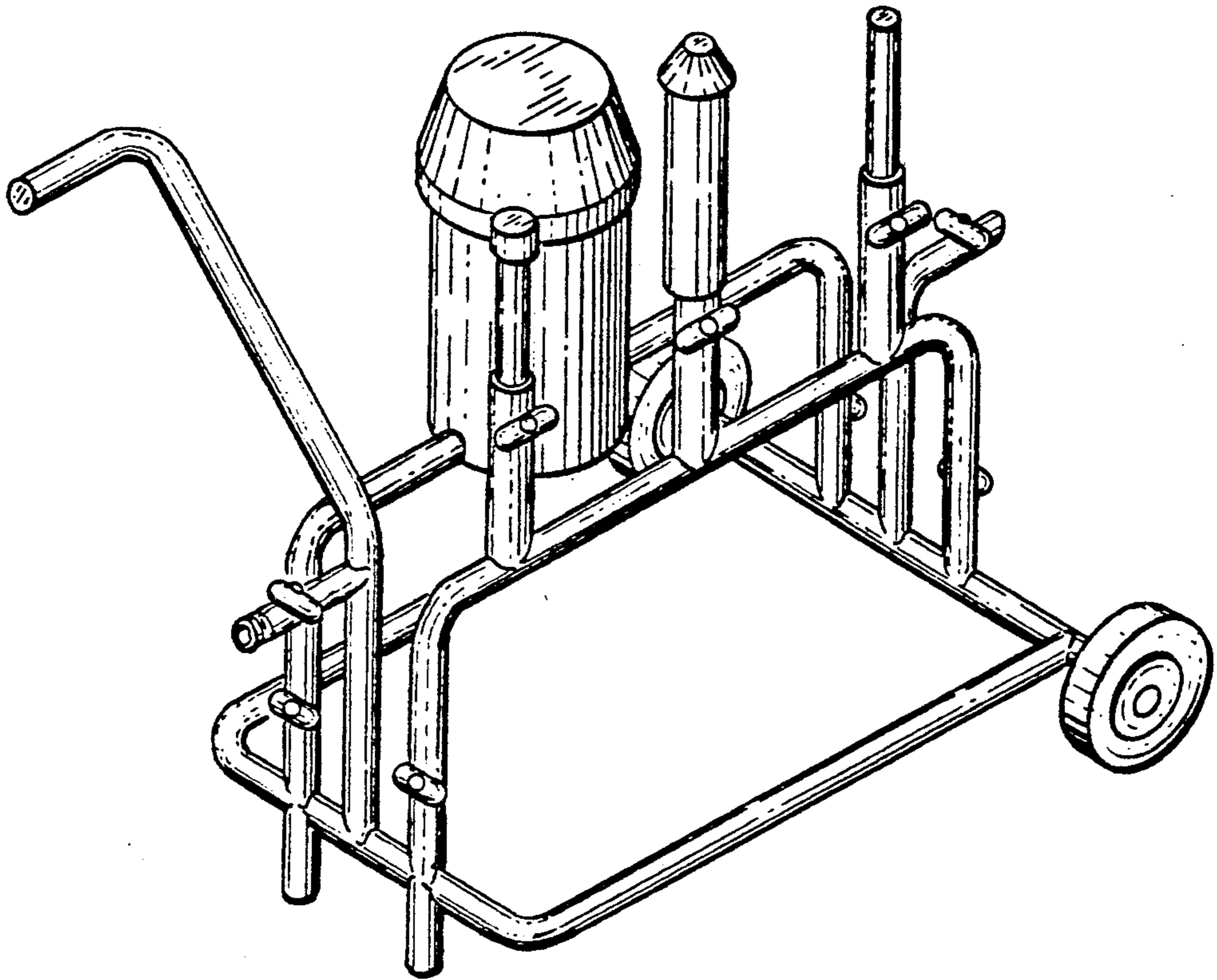


FIG. 5



*FIG. 6*