



US00D327719S

United States Patent [19]

[11] Patent Number: **Des. 327,719**

Towley, III et al.

[45] Date of Patent: **** Jul. 7, 1992**

[54] BENCH PRESS

[75] Inventors: **Carl K. Towley, III; Dennis C. Johnson**, both of Owatonna, Minn.

[73] Assignee: **Lumex, Inc.**, Bay Shore, N.Y.

[**] Term: **14 Years**

[21] Appl. No.: **486,720**

[22] Filed: **Feb. 28, 1990**

[52] U.S. Cl. **D21/191**

[58] Field of Search **D21/191-199;**
272/67, 68, 143, 123, 133, 144, 134, 136

[56] **References Cited**

U.S. PATENT DOCUMENTS

D. 258,975	4/1981	Irvine	D21/191
4,231,570	11/1980	Reis	272/123
4,262,901	4/1981	Faust	272/117
4,302,009	11/1981	Johnson	272/123
4,368,884	1/1983	Colvin	272/123
4,471,956	9/1984	Marlo	272/123
4,474,370	10/1984	Oman	272/144
4,527,797	7/1985	Slade et al.	272/123
4,564,194	1/1986	Dawson	272/123
4,602,785	7/1986	Rockwell	272/123
4,700,944	10/1987	Sterba	272/117
4,773,642	9/1988	Cruz	272/123
4,789,152	12/1988	Guerra	272/144

4,799,672	1/1989	Barrett	272/123
4,799,673	1/1989	Selle	272/123
4,807,875	2/1989	Tanski	272/123
4,861,024	8/1989	Lee	272/123
4,958,833	9/1990	Stater	272/123

OTHER PUBLICATIONS

Sporting Goods Dealer, Sep. 1980, p. 8, "Brutus I & II" Benches.

Sporting Goods Dealer, Apr. 1981, p. 102, "Excel" Exercise Bench.

Advertisement for the "Pro Max Bench" in Coach & Athlete, Mar. 1981, p. 62.

Primary Examiner—Charles A. Rademaker

Attorney, Agent, or Firm—John W. Bunch

[57] **CLAIM**

The ornamental design for a bench press, as shown and described.

DESCRIPTION

FIG. 1 is a perspective view of a bench press showing our new design;
FIG. 2 is a left side elevational view thereof, the side opposite being a mirror image;
FIG. 3 is a front elevational view thereof;
FIG. 4 is a rear elevational view thereof;
FIG. 5 is a top plan view thereof; and,
FIG. 6 is a bottom plan view thereof.

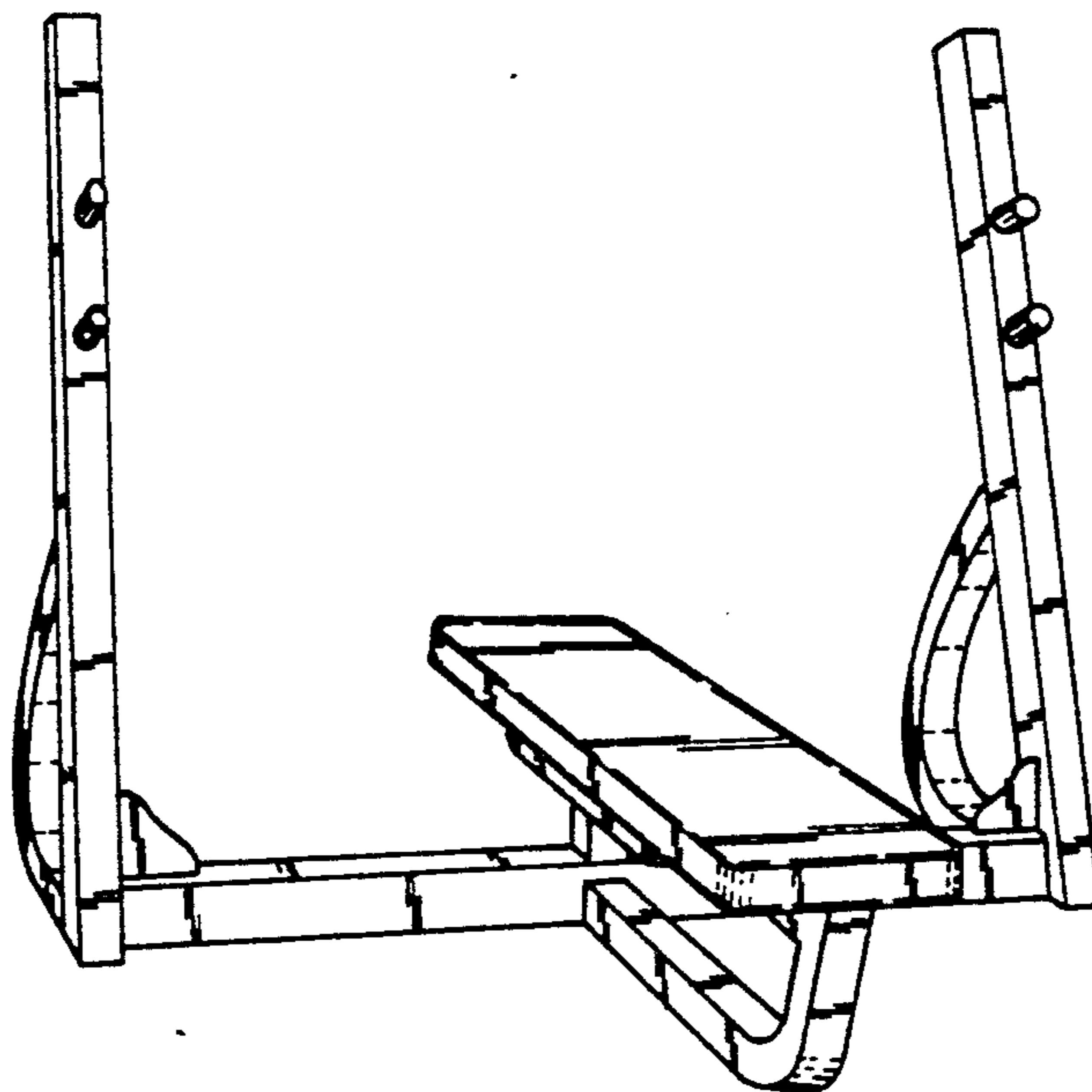


FIG.1

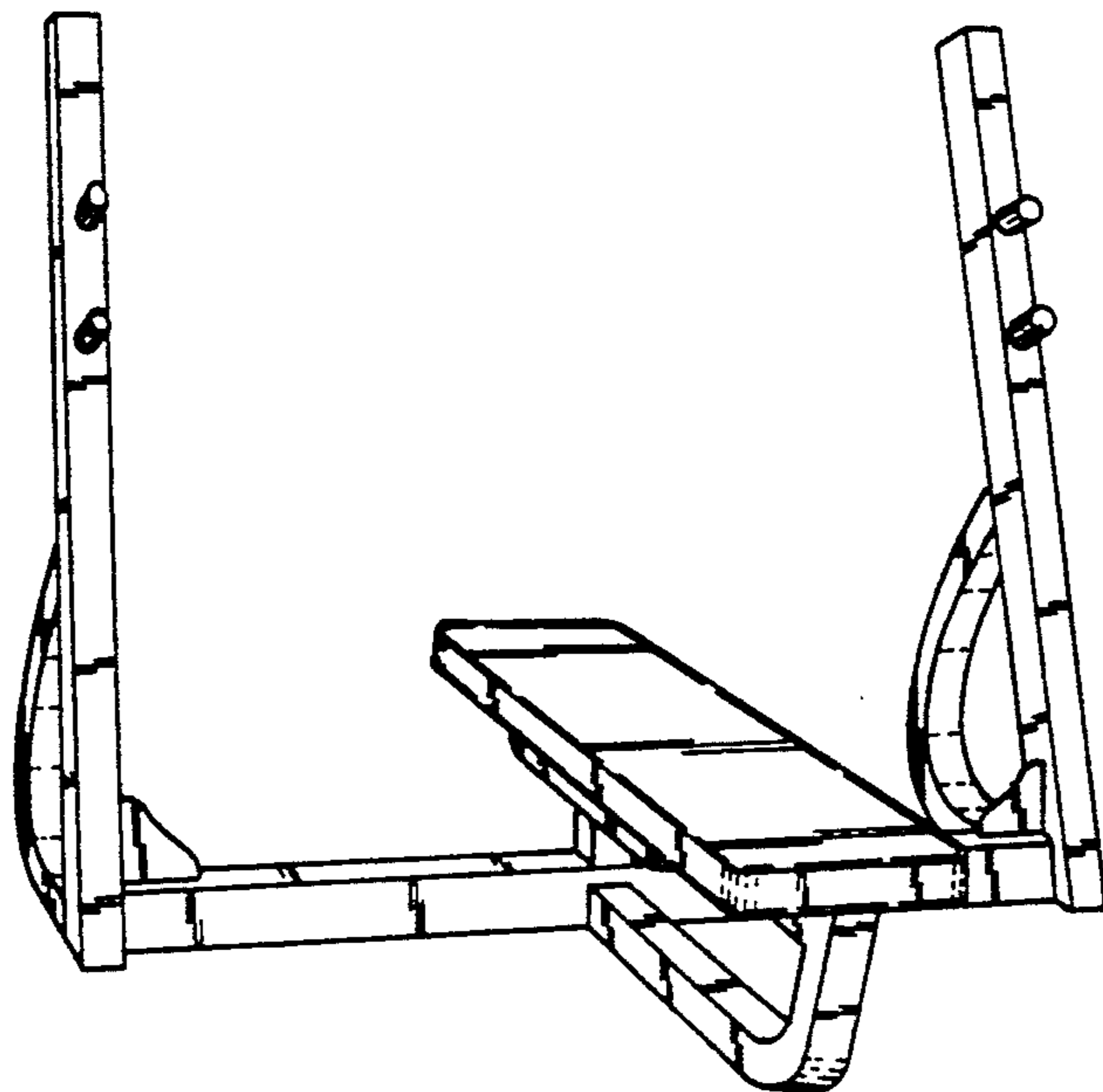


FIG.2

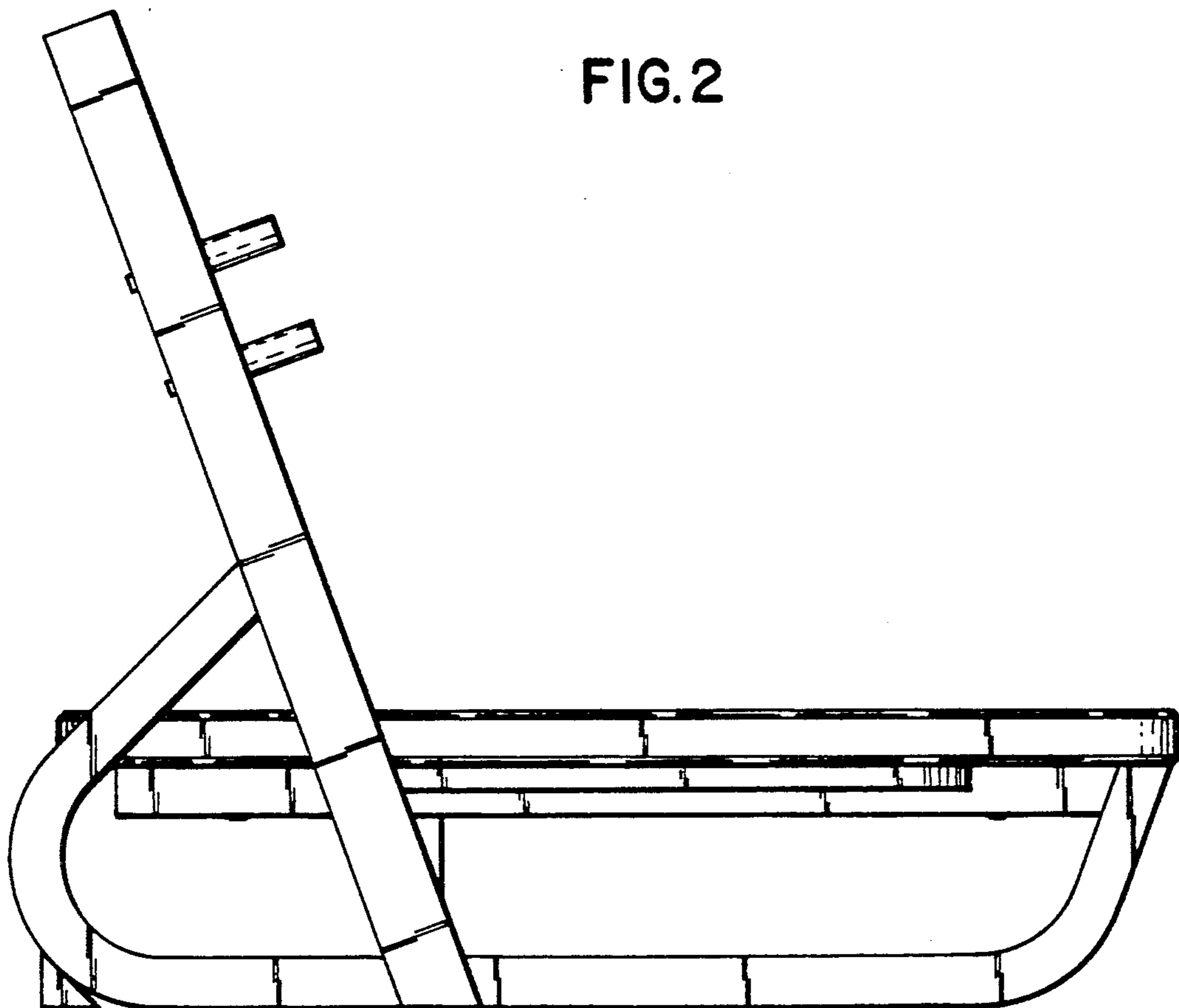


FIG.3

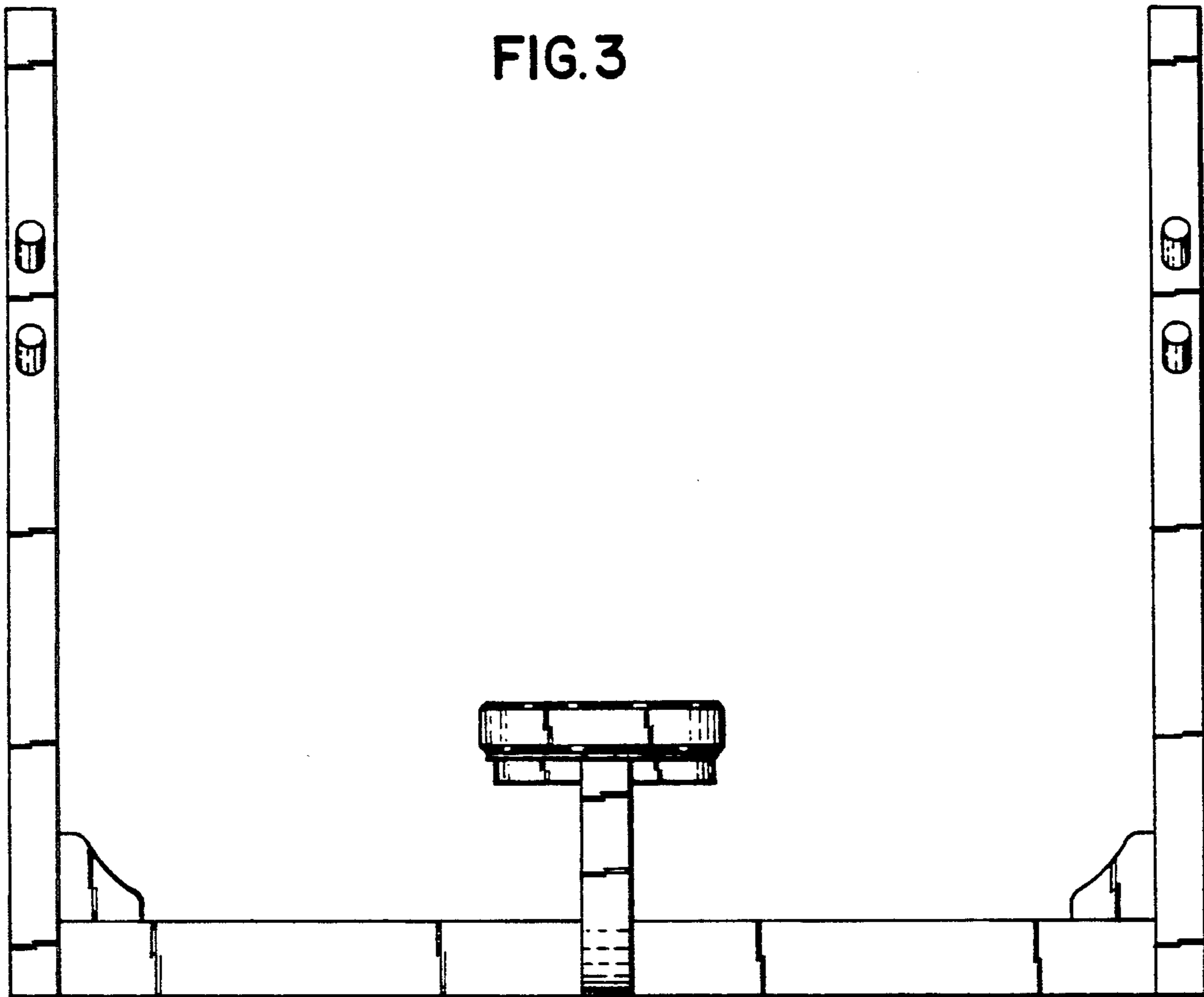


FIG.4

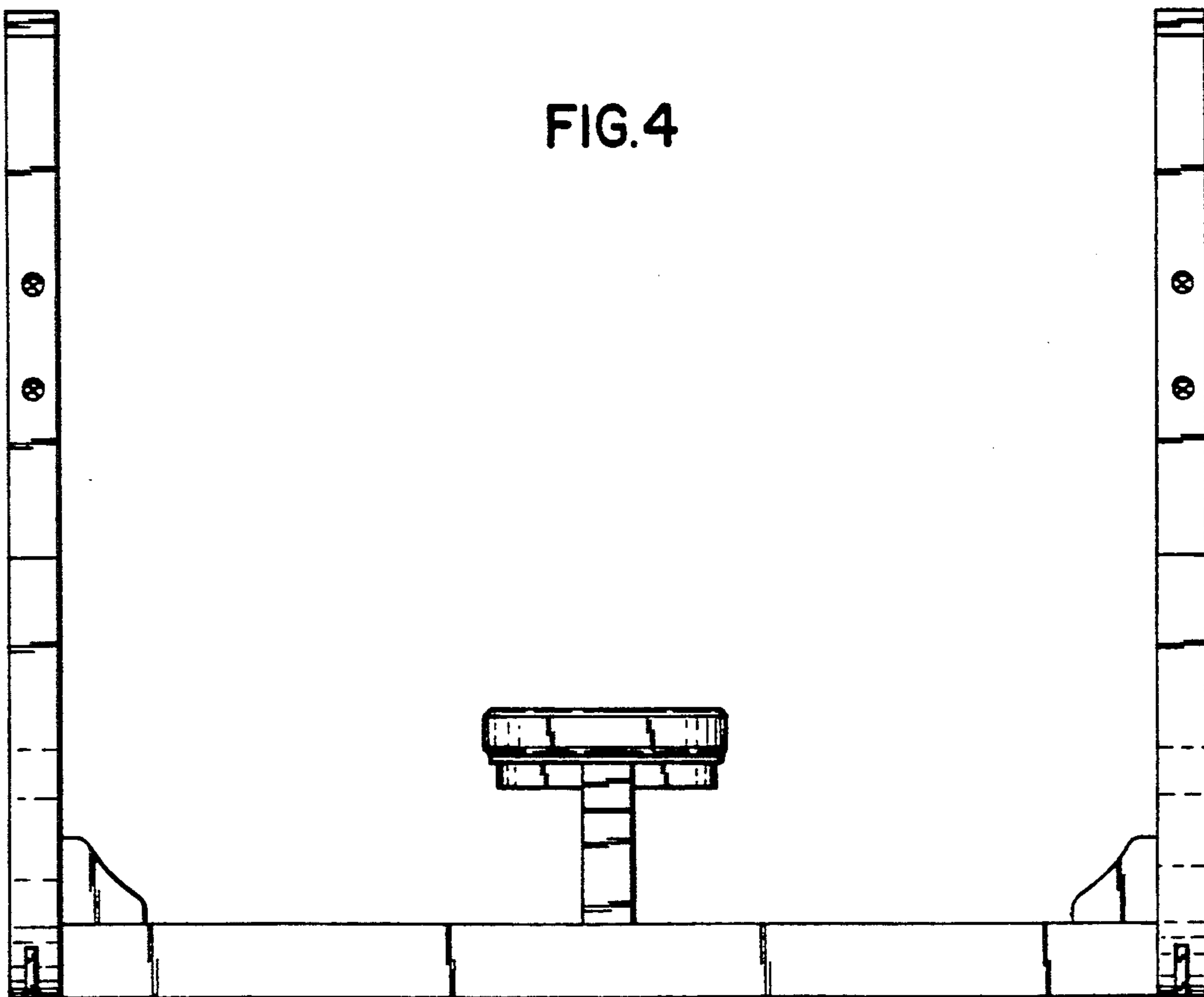


FIG.5

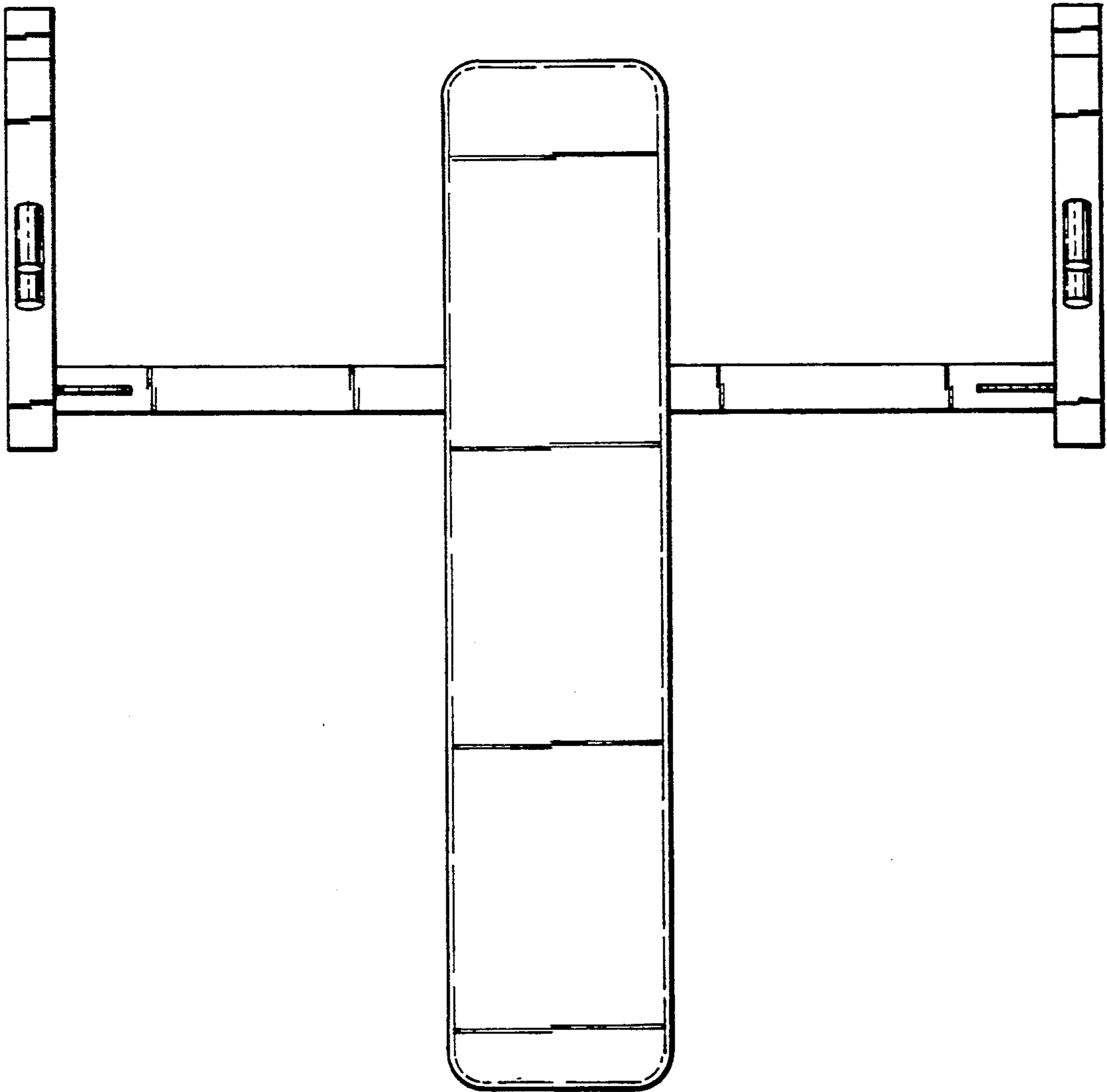


FIG.6

