



US00D327717S

# United States Patent [19]

[11] Patent Number: **Des. 327,717**

Thomson et al.

[45] Date of Patent: **\*\* Jul. 7, 1992**

[54] SIMULATIVE TOY FIGURE

[56] References Cited

[75] Inventors: **Harry S. Thomson**, Richmond; **David M. Raffo**, Gildern Sutton; **John A. Pape**; **Shaun M. Woodward**, both of Hitchin, all of Great Britain

### U.S. PATENT DOCUMENTS

D. 219,413	12/1970	Glaser et al. ....	D7/334
D. 223,042	2/1972	Wilkinson et al. ....	D7/334
D. 270,606	9/1983	McCrary et al. ....	D7/334
D. 315,756	3/1991	Pape et al. ....	D21/122

[73] Assignee: **Kiddicraft Limited**, Bristol, United Kingdom

*Primary Examiner*—Charles A. Rademaker

[\*\*] Term: **14 Years**

### [57] CLAIM

The ornamental design for a simulative toy figure, as shown and described.

[21] Appl. No.: **520,608**

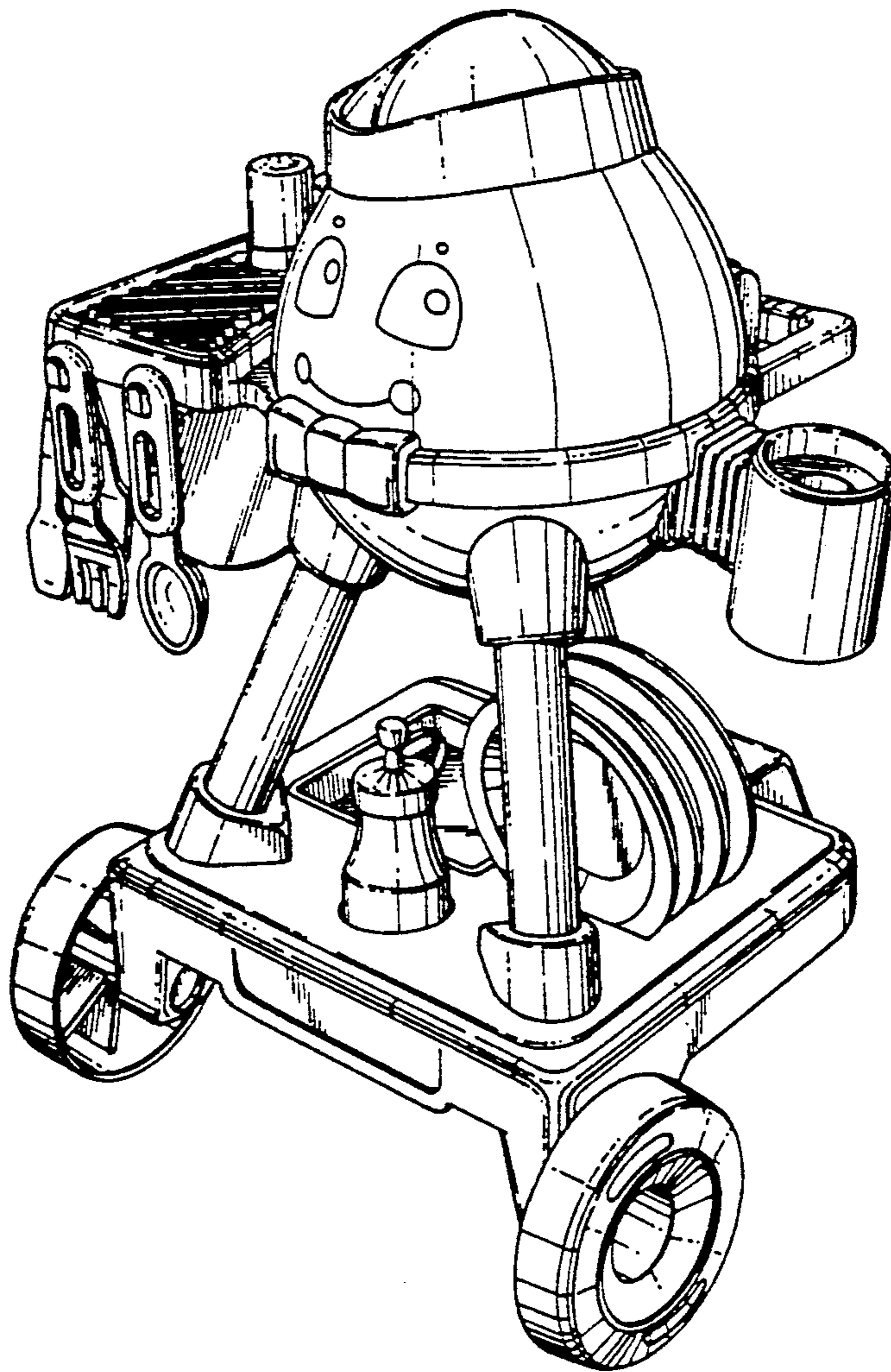
### DESCRIPTION

[22] Filed: **May 8, 1990**

FIG. 1 is a perspective view of a simulative toy figure showing our new design;  
 FIG. 2 is a front elevational view thereof;  
 FIG. 3 is a rear elevational view thereof;  
 FIG. 4 is a side elevational view thereof;  
 FIG. 5 is a side elevational view of the side opposite that shown in FIG. 4;  
 FIG. 6 is a top plan view thereof; and,  
 FIG. 7 is a bottom plan view thereof.

### [30] Foreign Application Priority Data

Nov. 8, 1989	[GB]	United Kingdom .....	2002265
[52]	U.S. Cl. ....	D21/122; D21/168	
[58]	Field of Search .....	D21/59, 109, 121, 122, D21/168; D7/334; 446/479, 481	



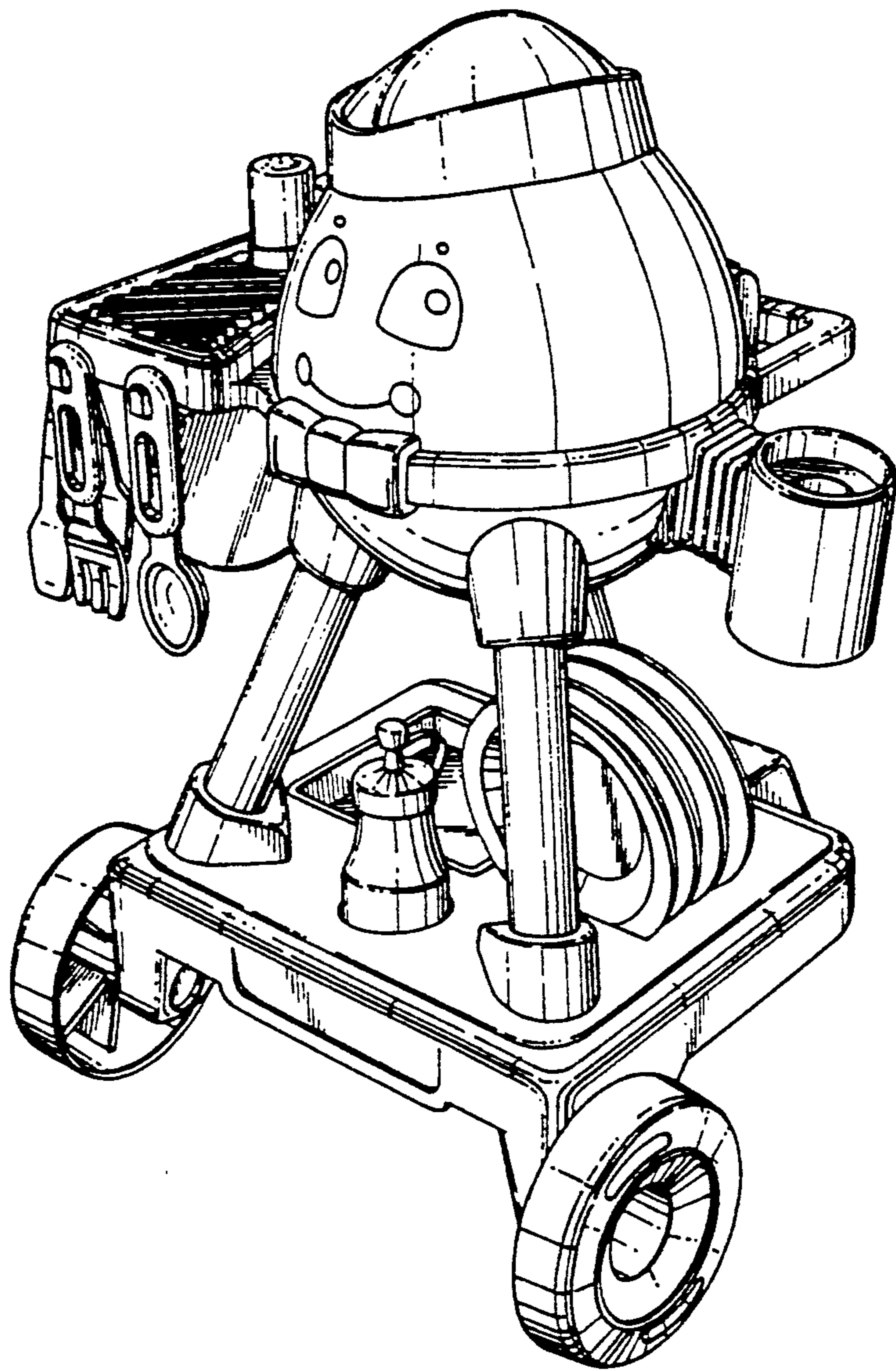


FIG. 1

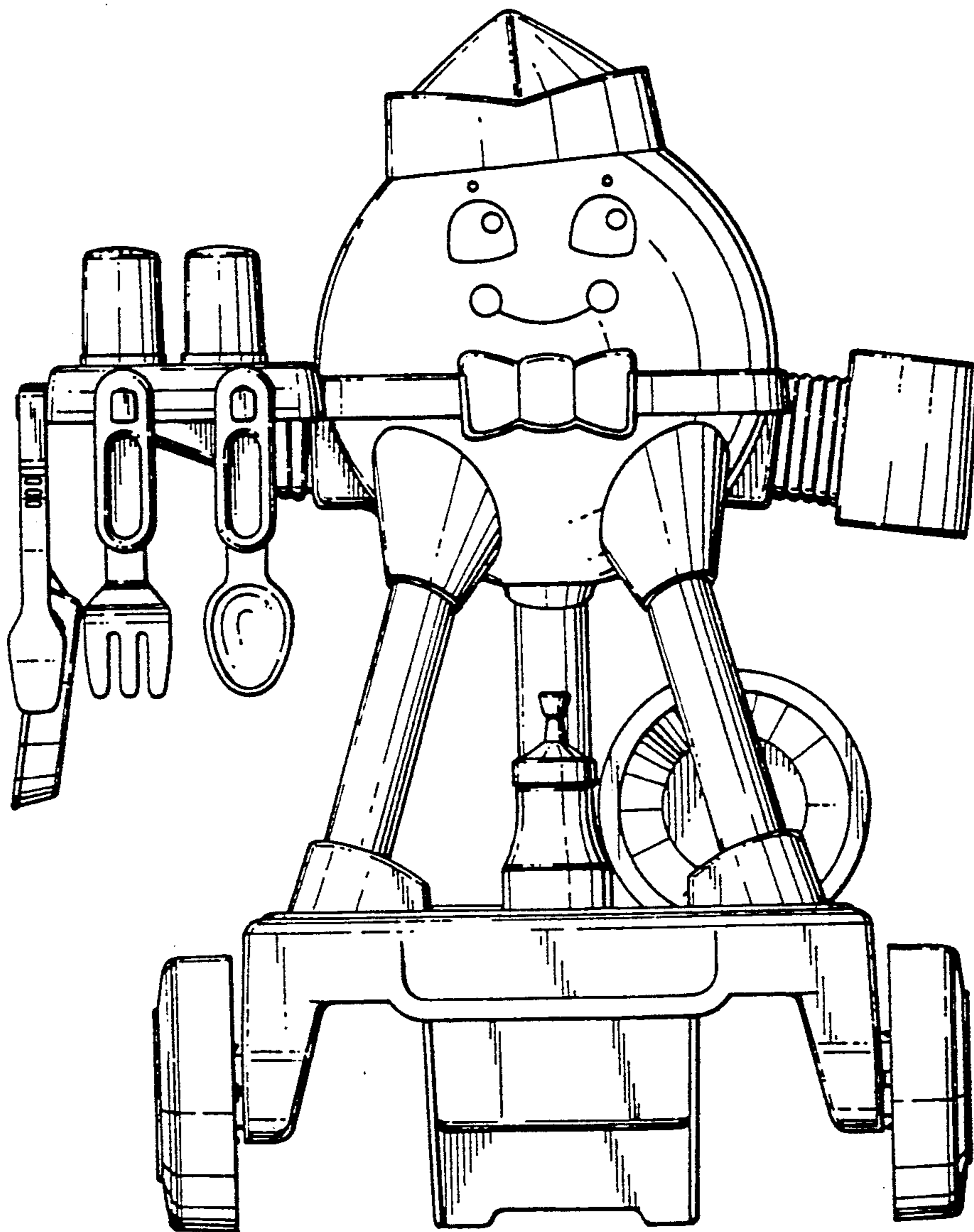


FIG. 2



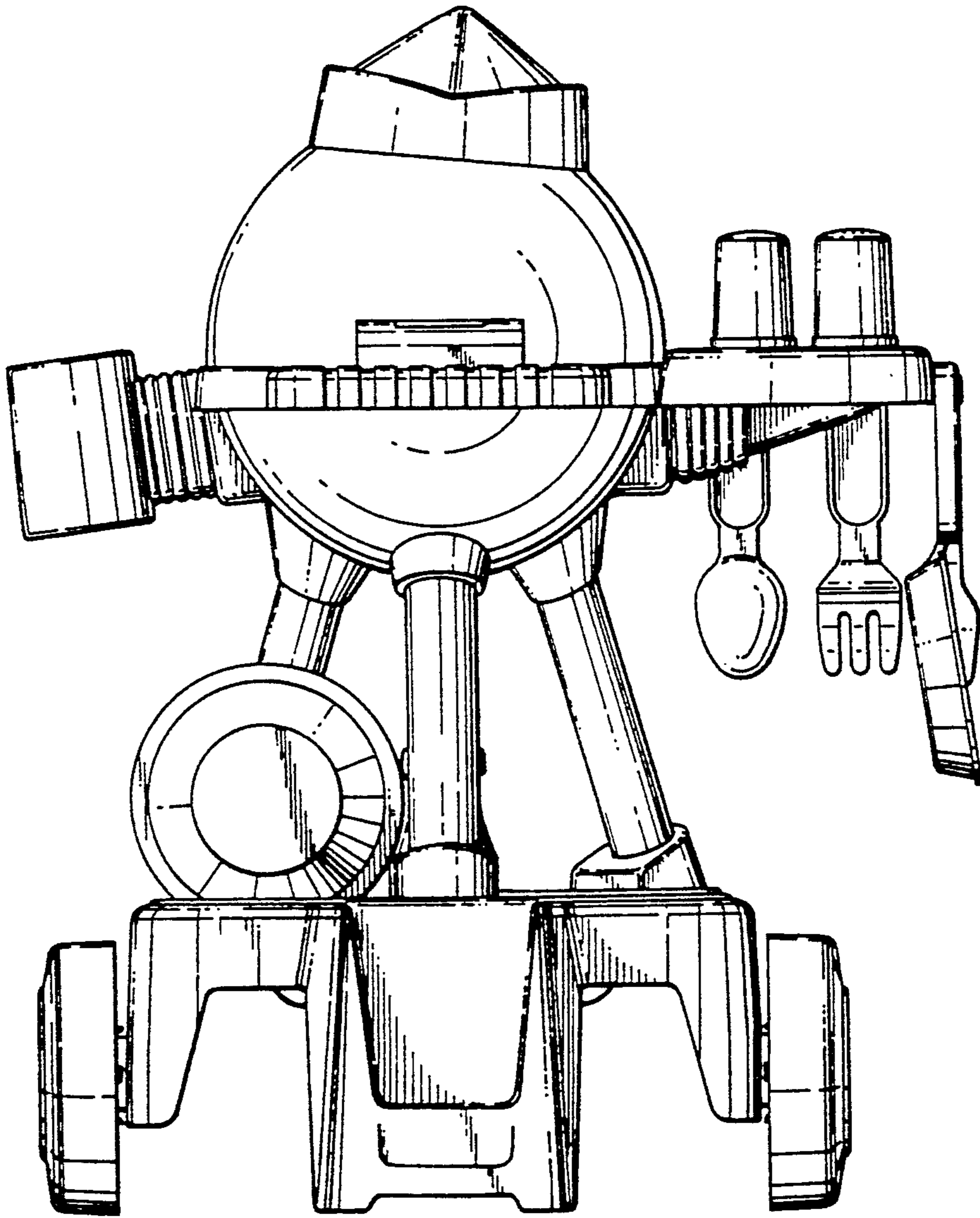


FIG. 3

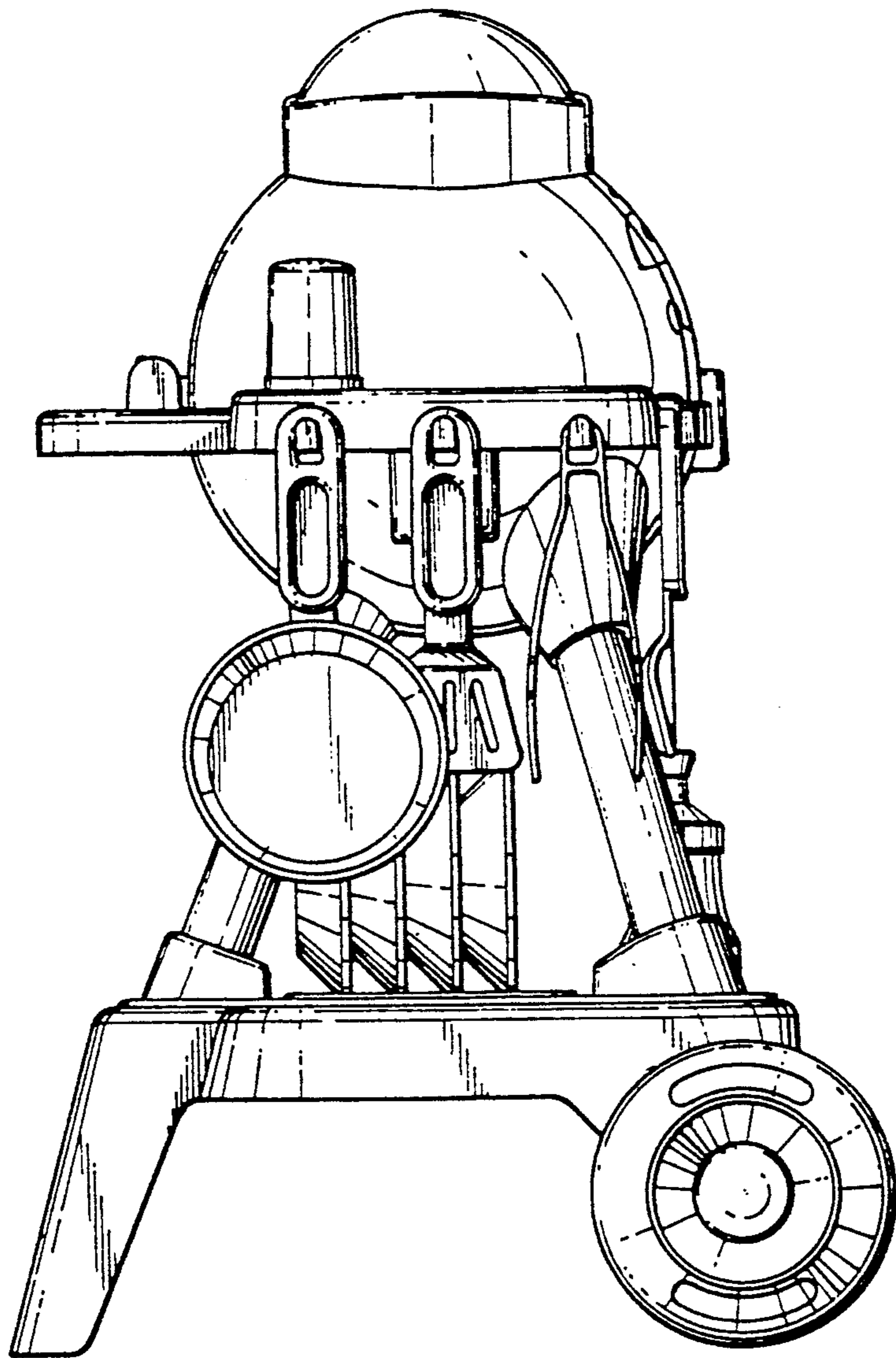


FIG. 4

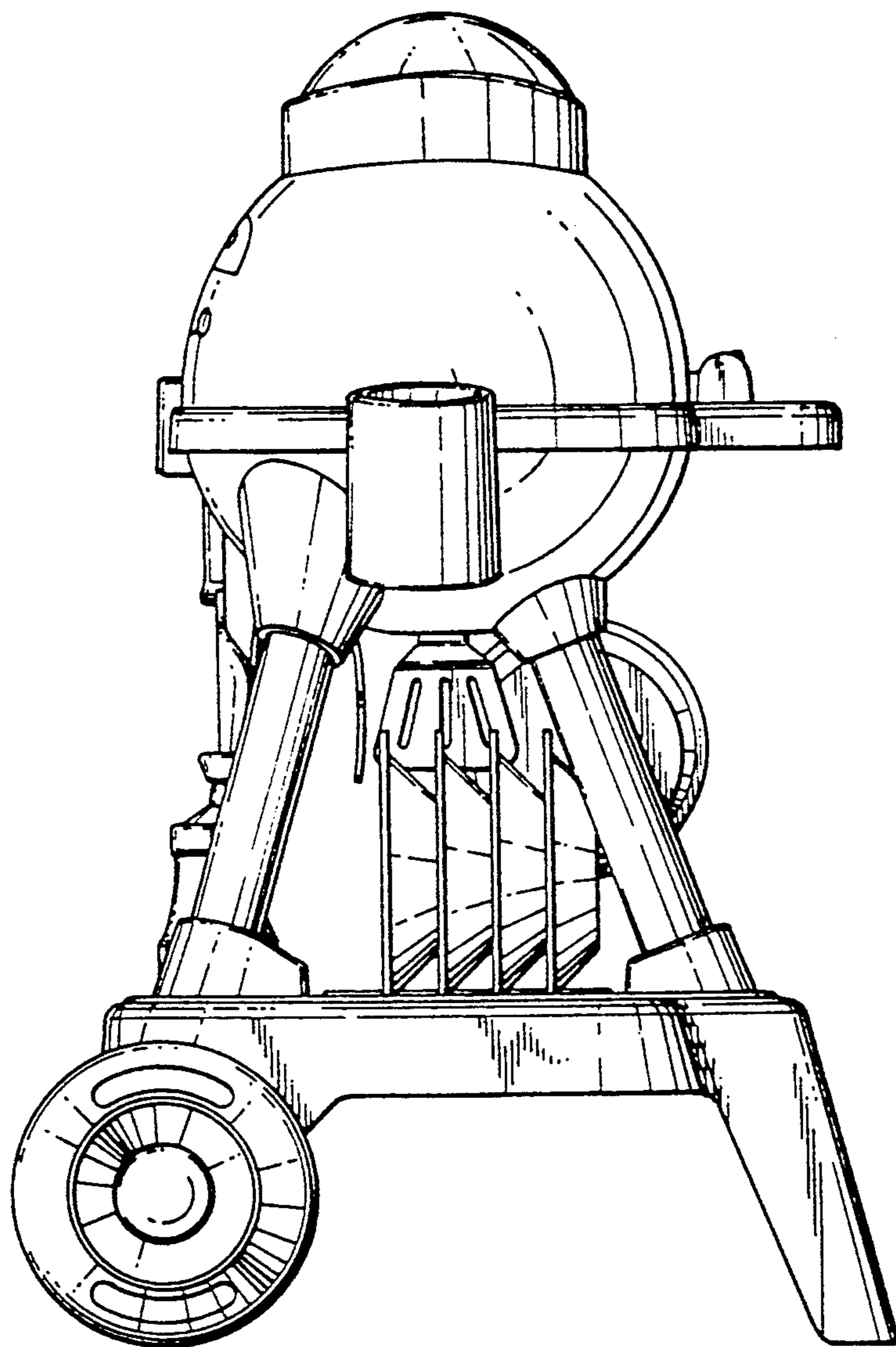


FIG. 5

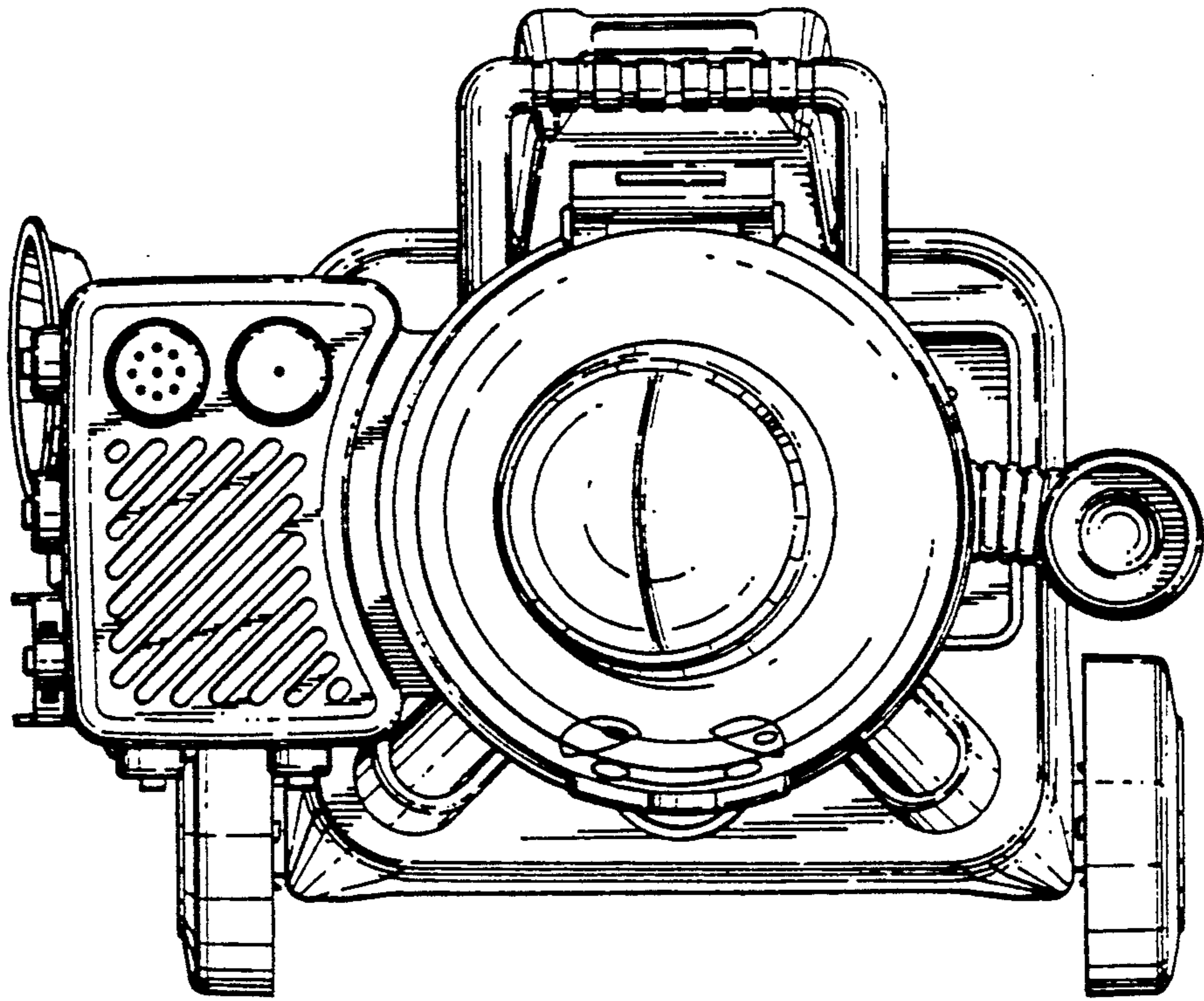


FIG. 6

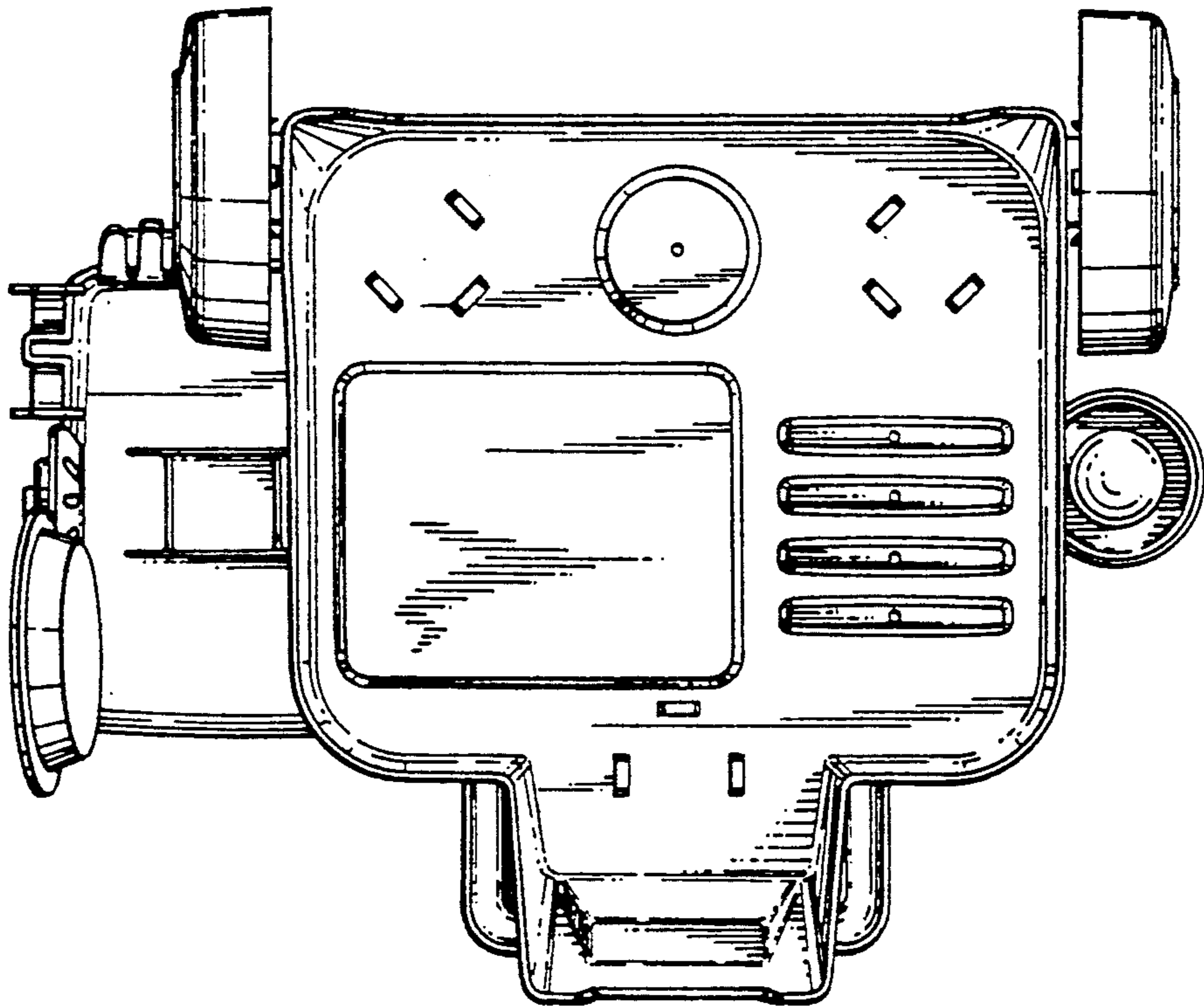


FIG. 7