



US00D327714S

# United States Patent [19]

[11] Patent Number: **Des. 327,714**

Meigs

[45] Date of Patent: **\*\* Jul. 7, 1992**

[54] MOBILE

[75] Inventor: **Kris Meigs, Santa Rosa Beach, Fla.**

[73] Assignee: **Pansy Ellen Products, Inc., Alpharetta, Ga.**

[\*\*] Term: **14 Years**

[21] Appl. No.: **609,934**

[22] Filed: **Nov. 6, 1990**

[52] U.S. Cl. .... **D21/63; D11/141**

[58] Field of Search ..... **D11/141; D21/63, 246; 272/61; 40/493, 501; 446/236, 238, 487**

1,424,437 8/1922 Barnhart ..... 446/238  
 3,927,482 12/1975 Marcus ..... D11/141 X  
 4,207,696 6/1980 Hyman et al. .... D11/141 X  
 4,904,220 2/1990 Williams et al. .... 446/236 X

*Primary Examiner*—Bernard Ansher  
*Assistant Examiner*—Dominic Simone  
*Attorney, Agent, or Firm*—Jones, Askew & Lunsford

### [57] CLAIM

The ornamental design for a mobile, as shown.

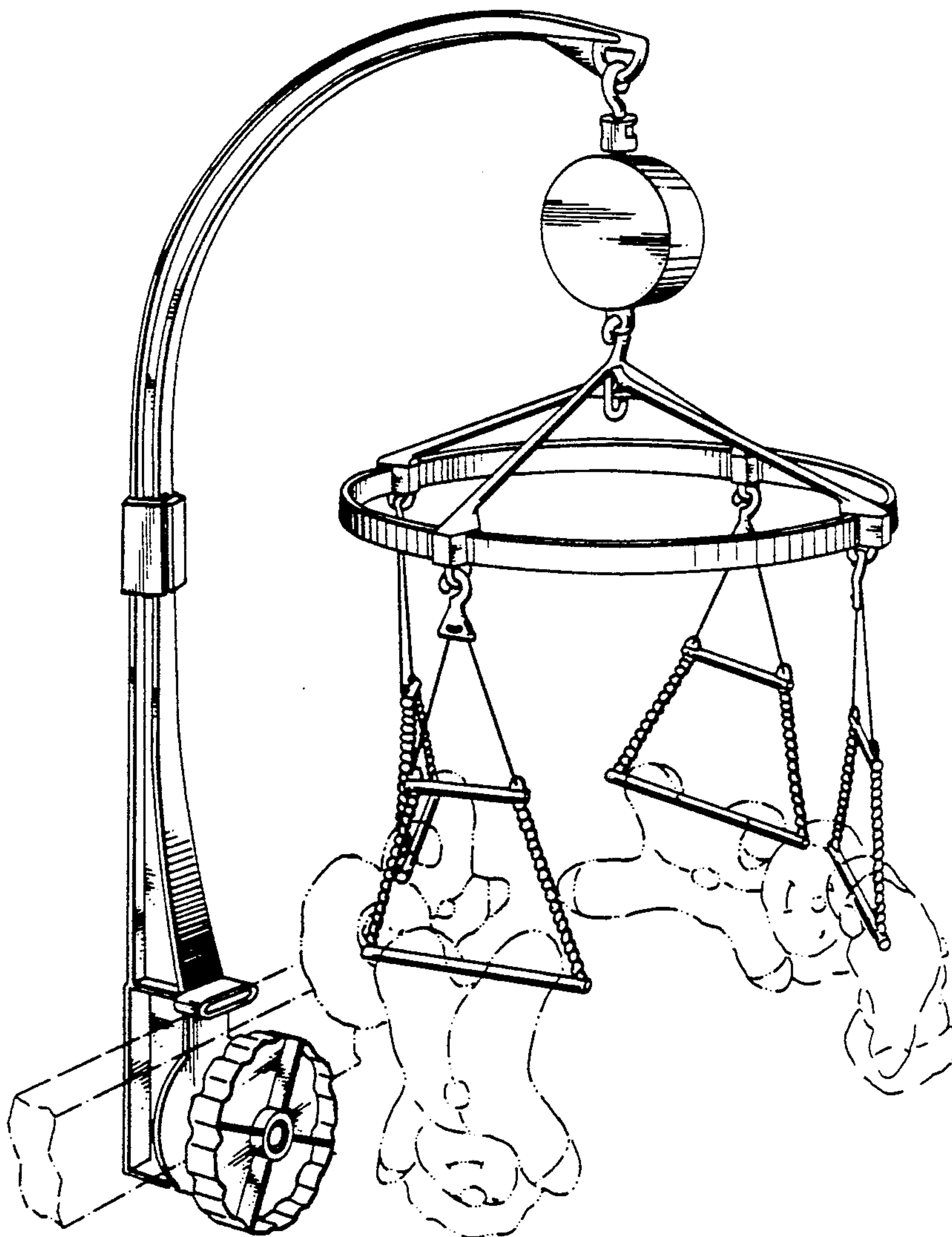
### DESCRIPTION

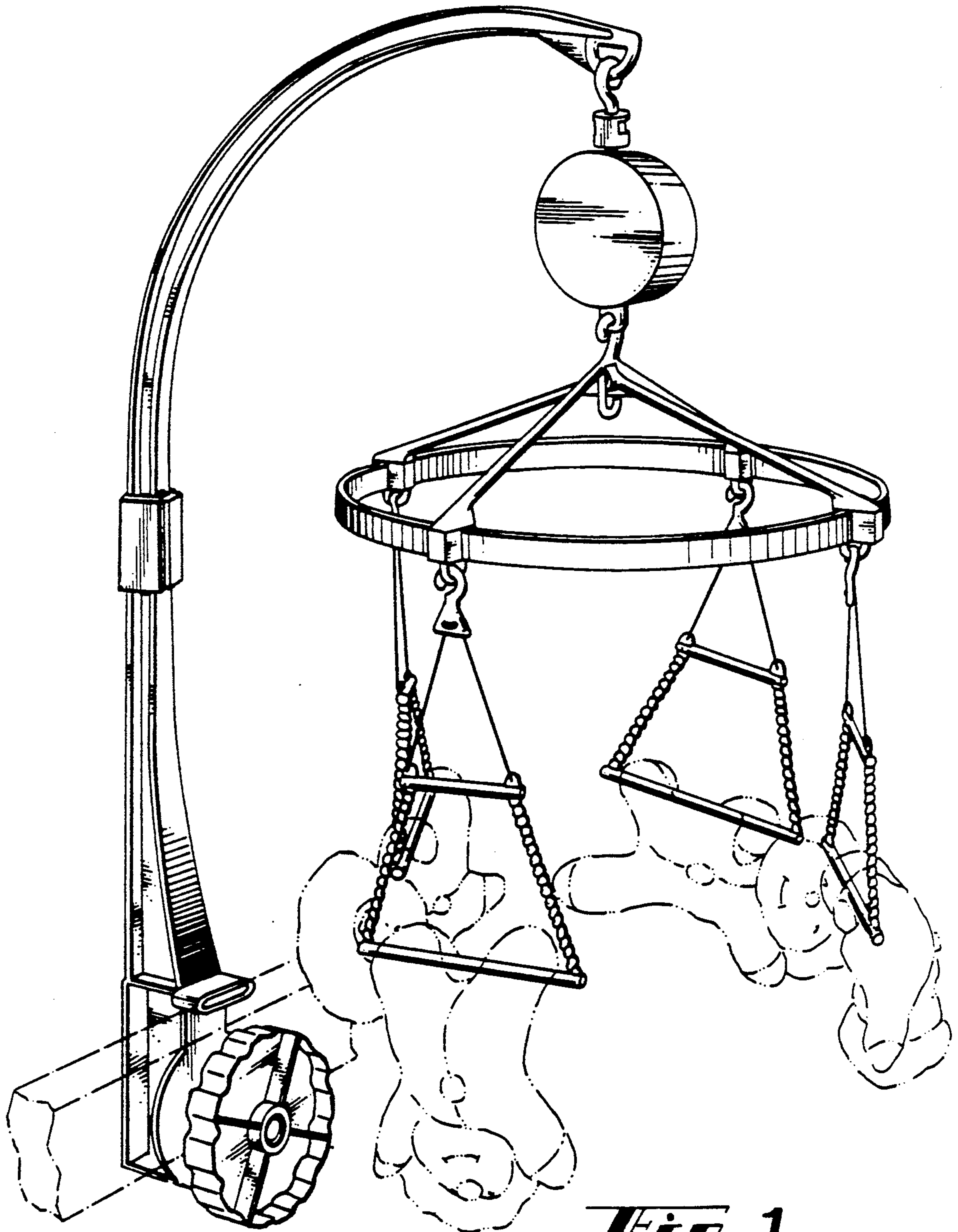
FIG. 1 is a perspective view of a mobile showing my new design, the brace and dolls shown in broken lines for illustrative purposes only;  
 FIG. 2 is a top plan view thereof;  
 FIG. 3 is a front elevational view thereof;  
 FIG. 4 is a right side elevational view thereof;  
 FIG. 5 is a bottom plan view thereof;  
 FIG. 6 is a rear elevational view thereof; and,  
 FIG. 7 is a left side elevational view thereof.

### [56] References Cited

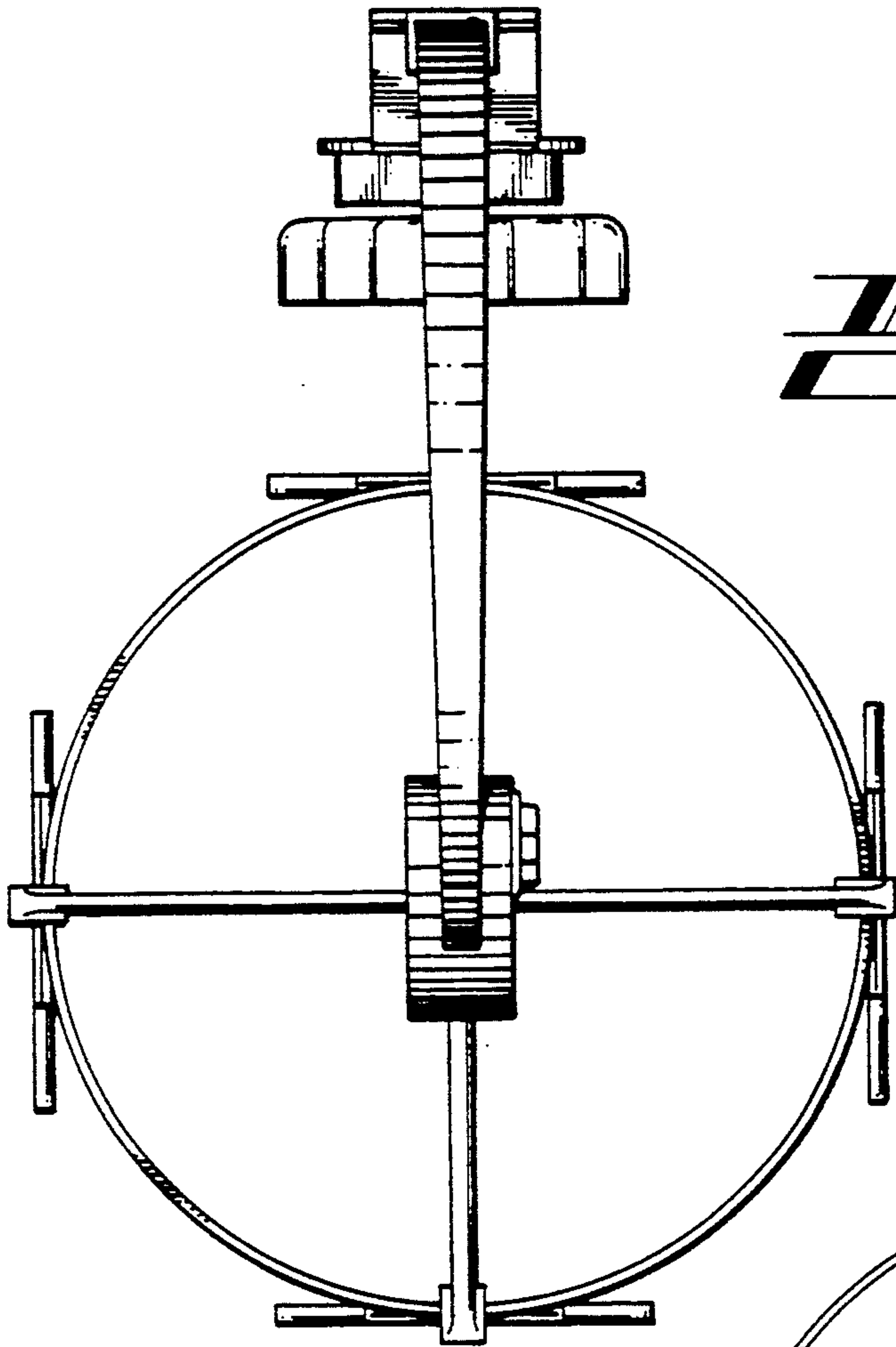
#### U.S. PATENT DOCUMENTS

D. 183,744 10/1958 Hutzler ..... D21/63  
 D. 237,288 10/1975 Crawford ..... D21/63  
 D. 259,652 6/1981 Ahrens ..... D21/246  
 D. 261,783 11/1981 Nakao et al. .... D11/141 X  
 D. 285,946 9/1986 Toth ..... D21/63

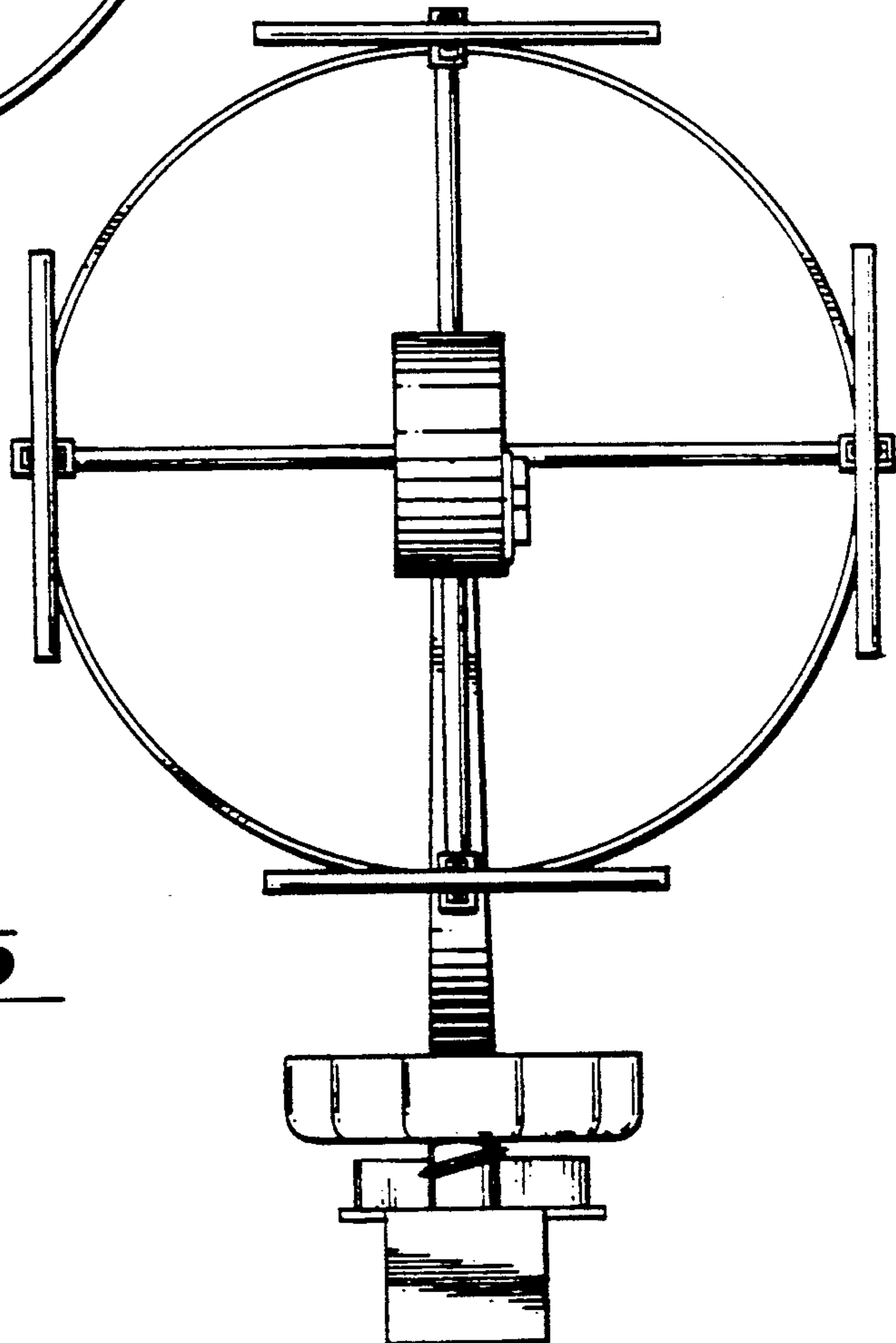




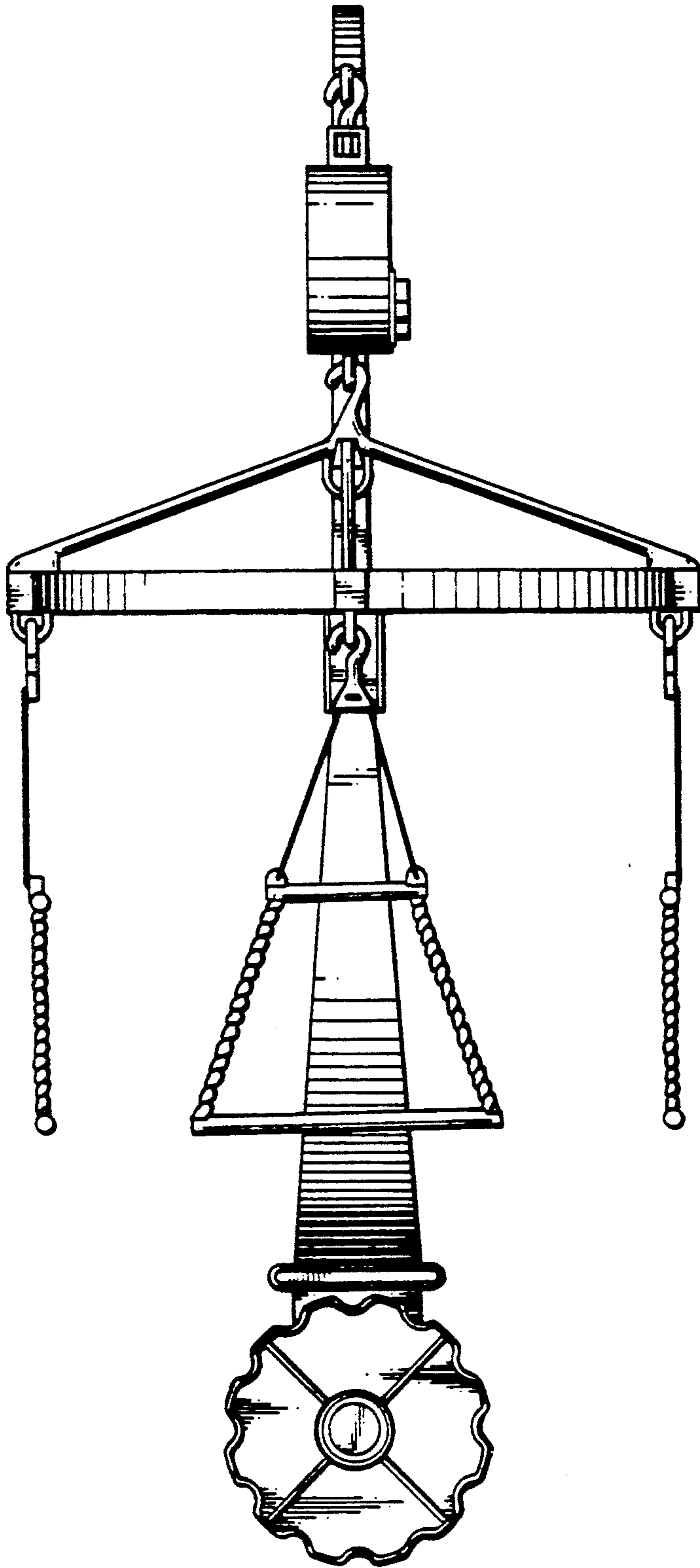
**Fig. 1**



*Fig. 2*

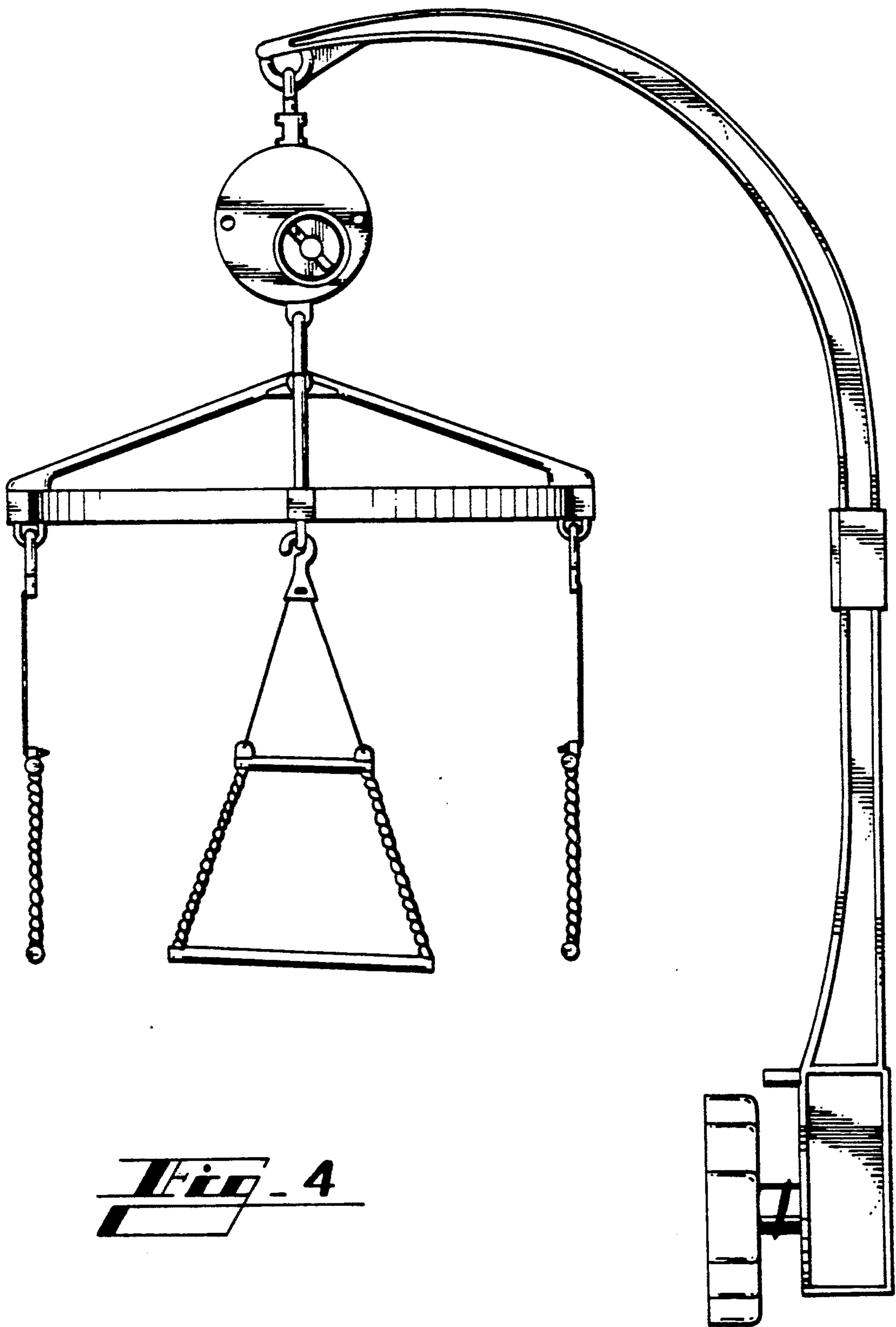


*Fig. 5*

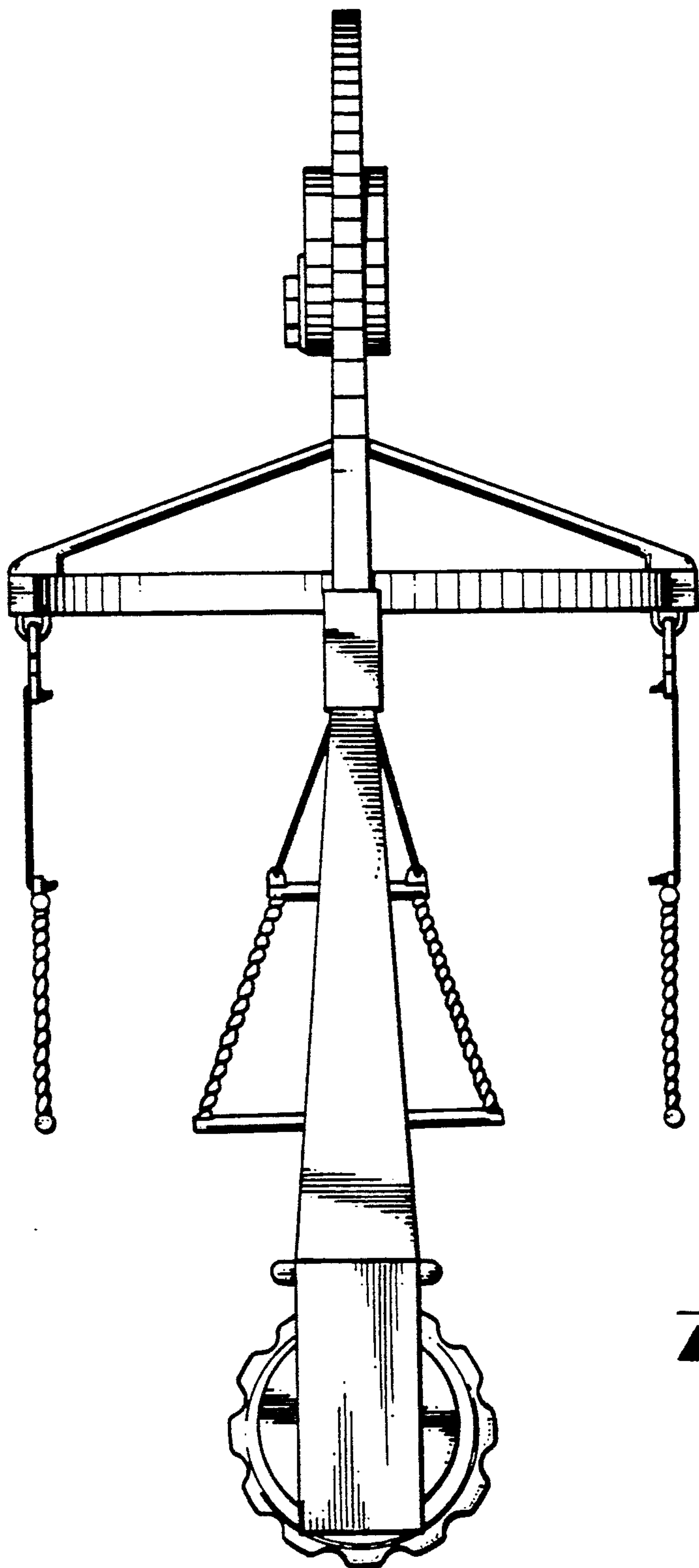


*Fig. 3*

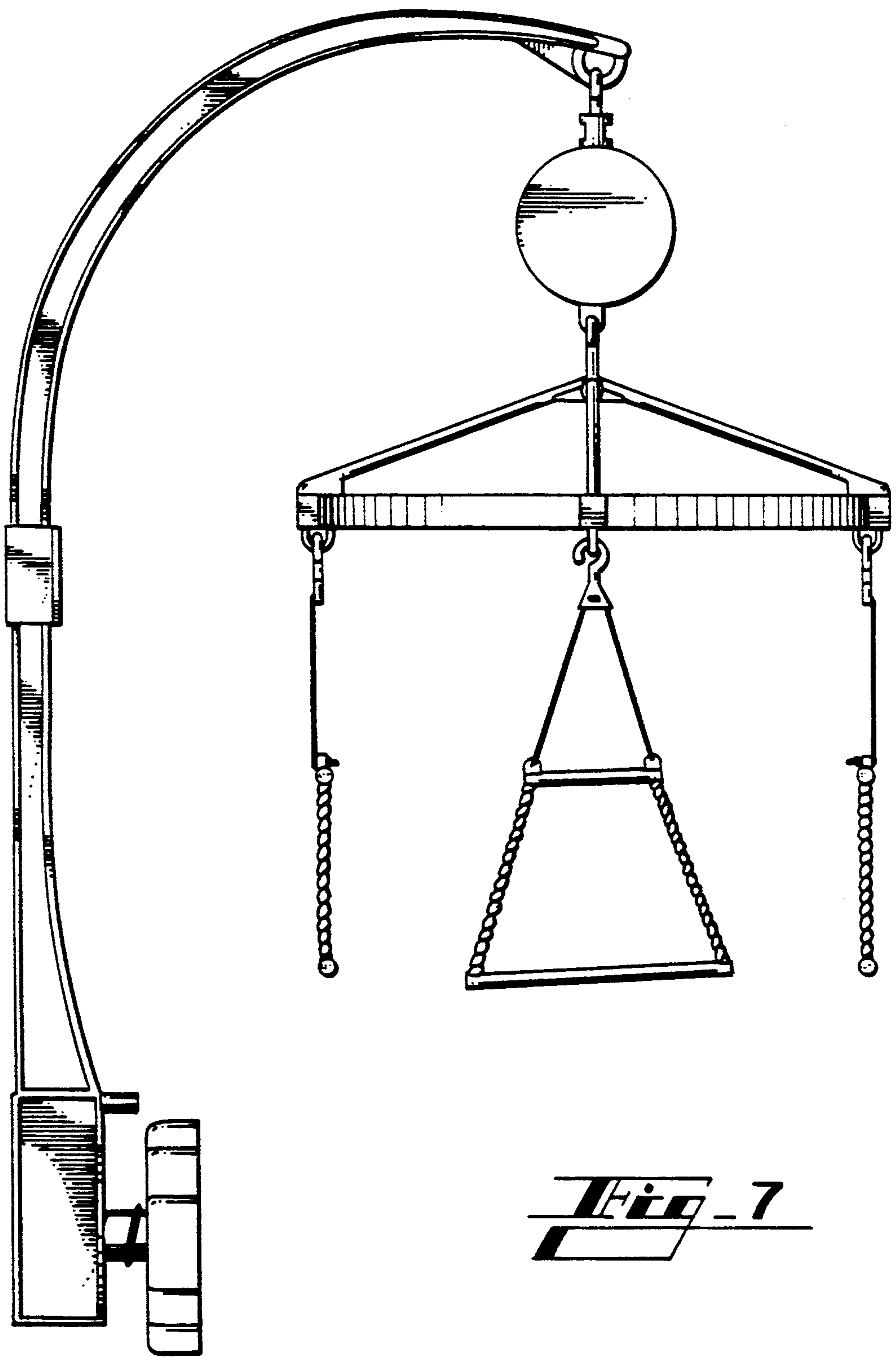




**Fig. 4**



**Fig. 6**



*Fig. 7*