



US00D327713S

United States Patent [19]

[11] Patent Number: **Des. 327,713**

Thomson et al.

[45] Date of Patent: **** Jul. 7, 1992**

[54] SIMULATIVE ACTIVITY TOY

[56] References Cited

[75] Inventors: **Harry S. Thomson**, Richmond; **David M. Raffo**, Gildern Sutton; **John A. Pape**; **Shaun M. Woodward**, both of Hitchen, all of Great Britain

U.S. PATENT DOCUMENTS

| | | | |
|------------|---------|-----------------------|---------|
| D. 262,899 | 2/1982 | Kroll | D21/59 |
| D. 265,664 | 8/1982 | Orenstein | D21/59 |
| D. 281,987 | 12/1985 | Catelli | D21/140 |
| D. 300,937 | 5/1989 | Yabushita et al. | D21/59 |
| D. 302,187 | 7/1989 | Kato | D21/59 |
| D. 302,444 | 7/1989 | Tapdrup et al. | D21/59 |
| D. 306,188 | 2/1990 | Tapdrup et al. | D21/59 |
| 4,597,743 | 7/1986 | Becker et al. | 446/147 |

[73] Assignee: **Kiddicraft Limited**, Bristol, United Kingdom

Primary Examiner—Charles A. Rademaker

[**] Term: **14 Years**

[57] CLAIM

[21] Appl. No.: **520,607**

The ornamental design for a simulative activity toy, as shown and described.

[22] Filed: **May 8, 1990**

DESCRIPTION

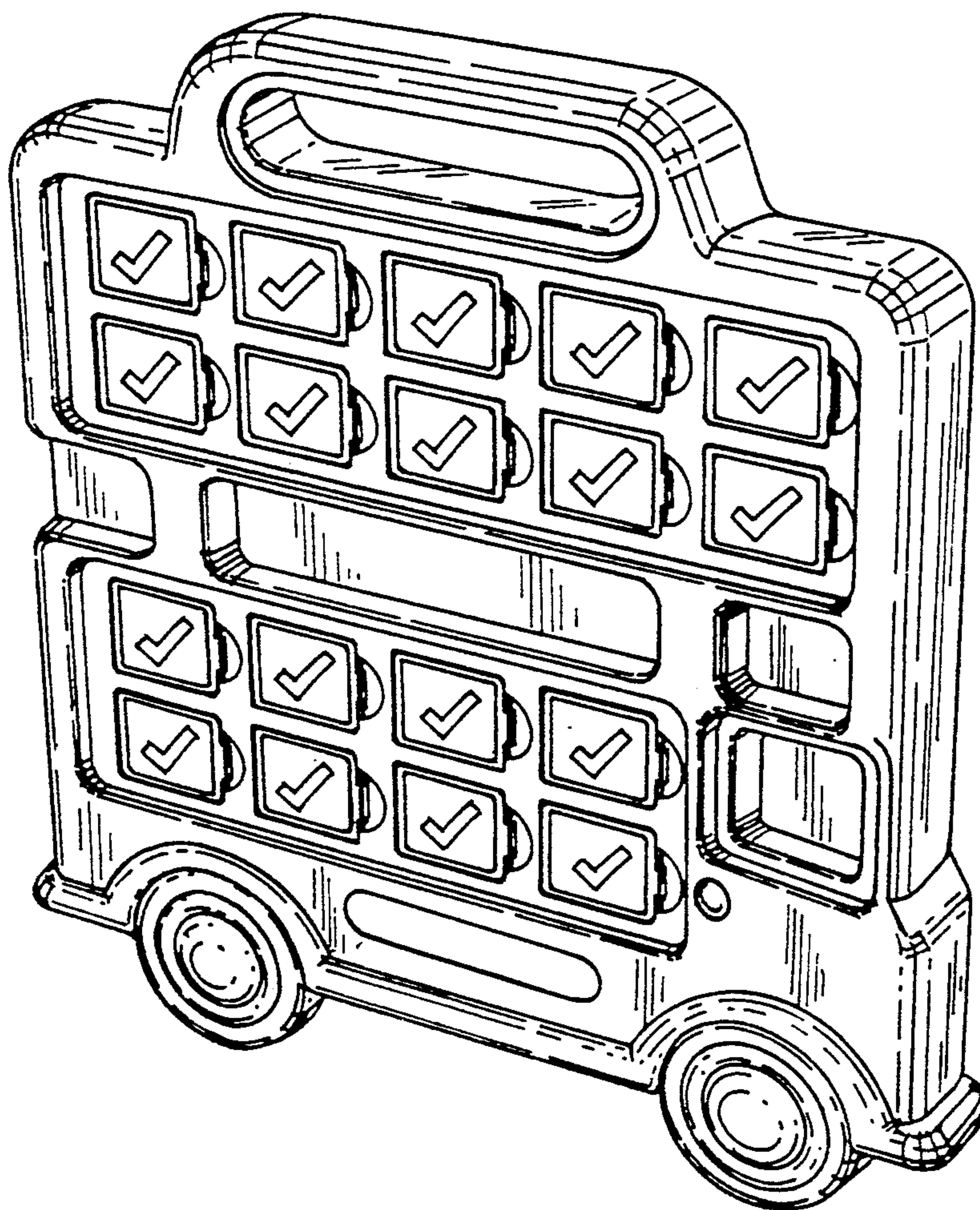
[30] Foreign Application Priority Data

Nov. 8, 1989 [GB] United Kingdom 2002264

[52] U.S. Cl. **D21/59**

[58] Field of Search D21/59, 134, 140, 240; D19/59-64; 446/227, 147, 150, 151, 152, 491; 434/365, 322, 327, 332, 333, 347, 348, 363

FIG. 1 is a perspective view of a simulative activity toy showing our new design;
FIG. 2 is a front elevational view thereof;
FIG. 3 is a rear elevational view thereof;
FIG. 4 is a side elevational view thereof;
FIG. 5 is another side elevational view thereof;
FIG. 6 is a top plan view thereof; and,
FIG. 7 is a bottom plan view thereof.



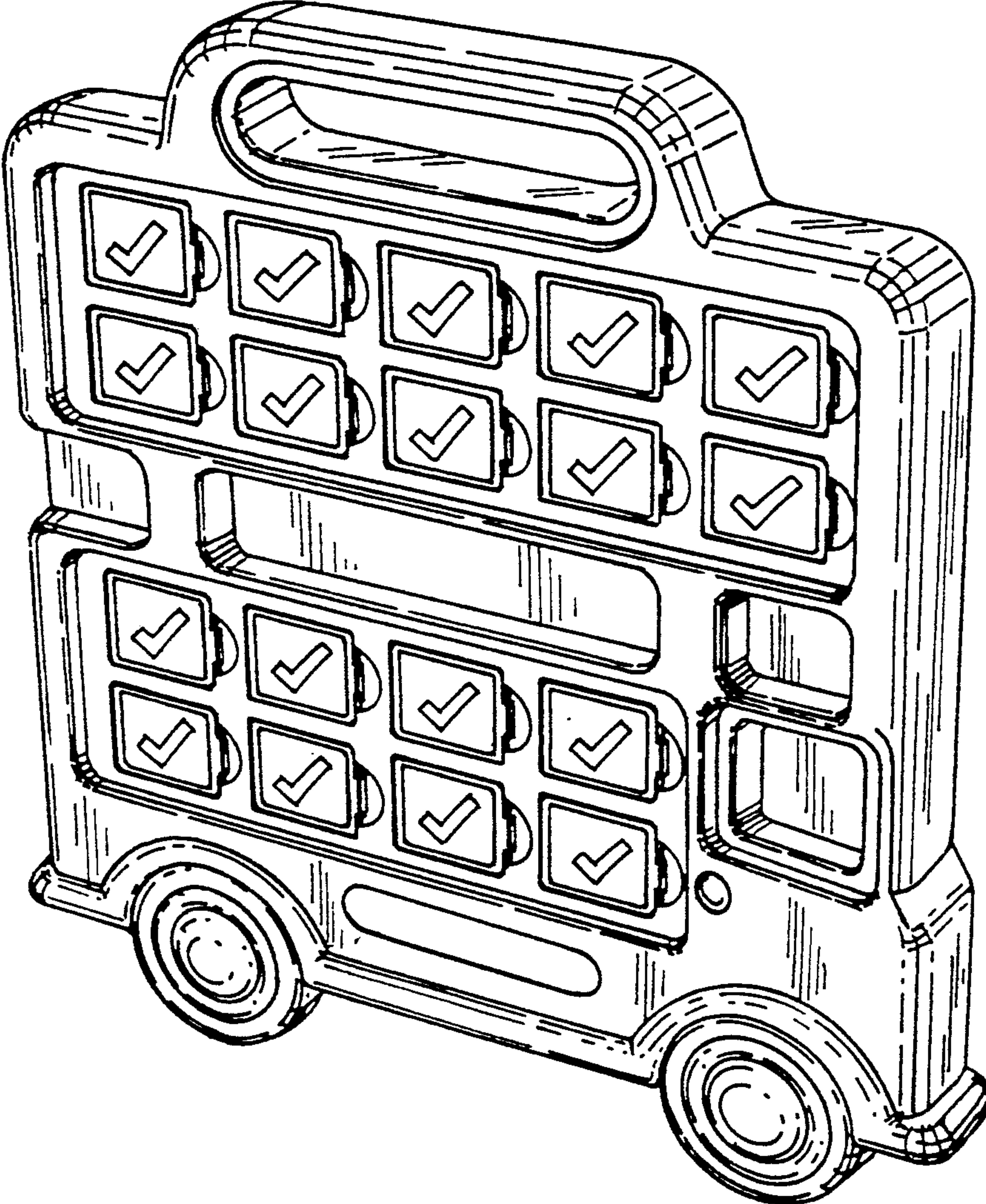


FIG. 1

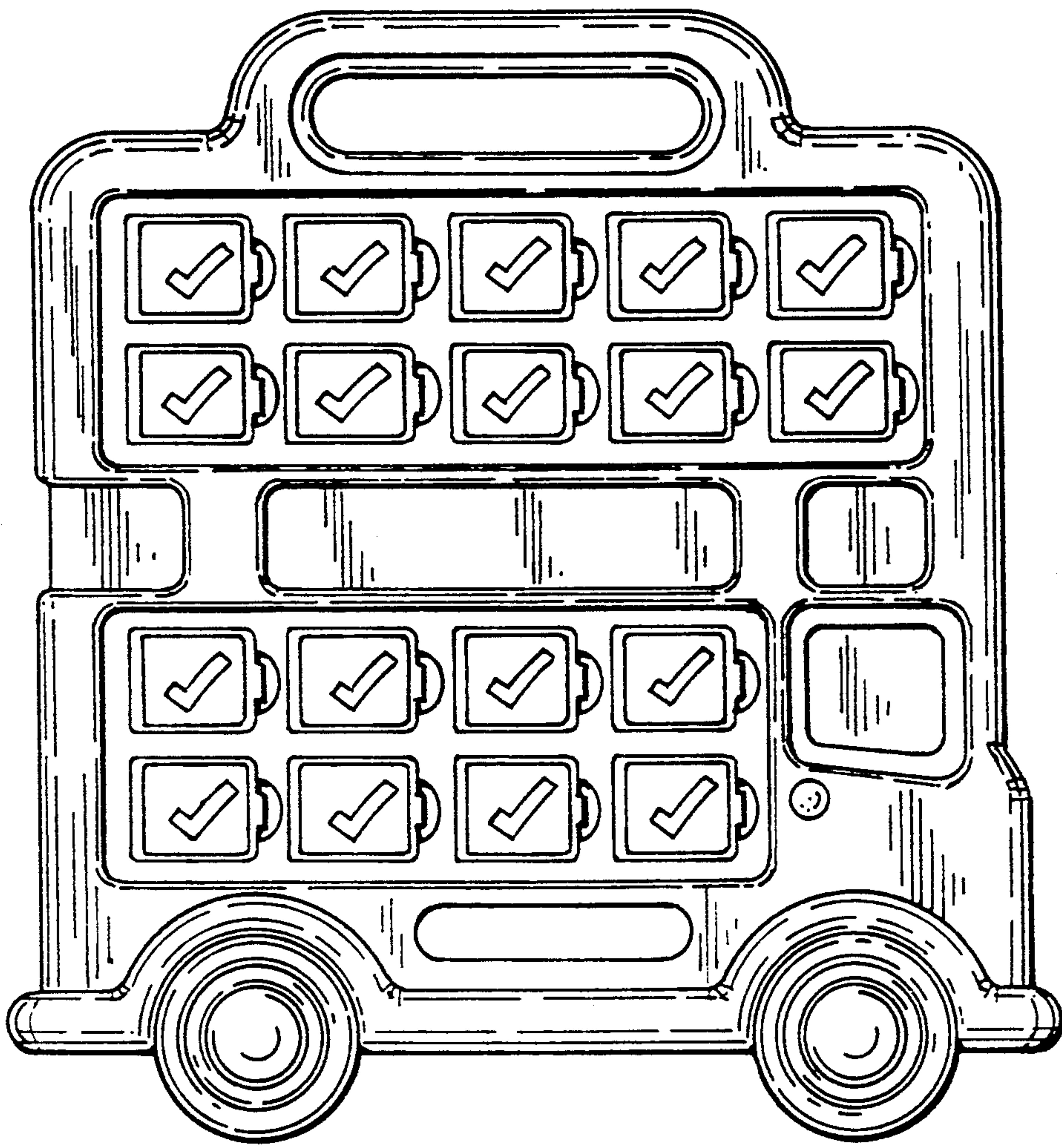


FIG.2

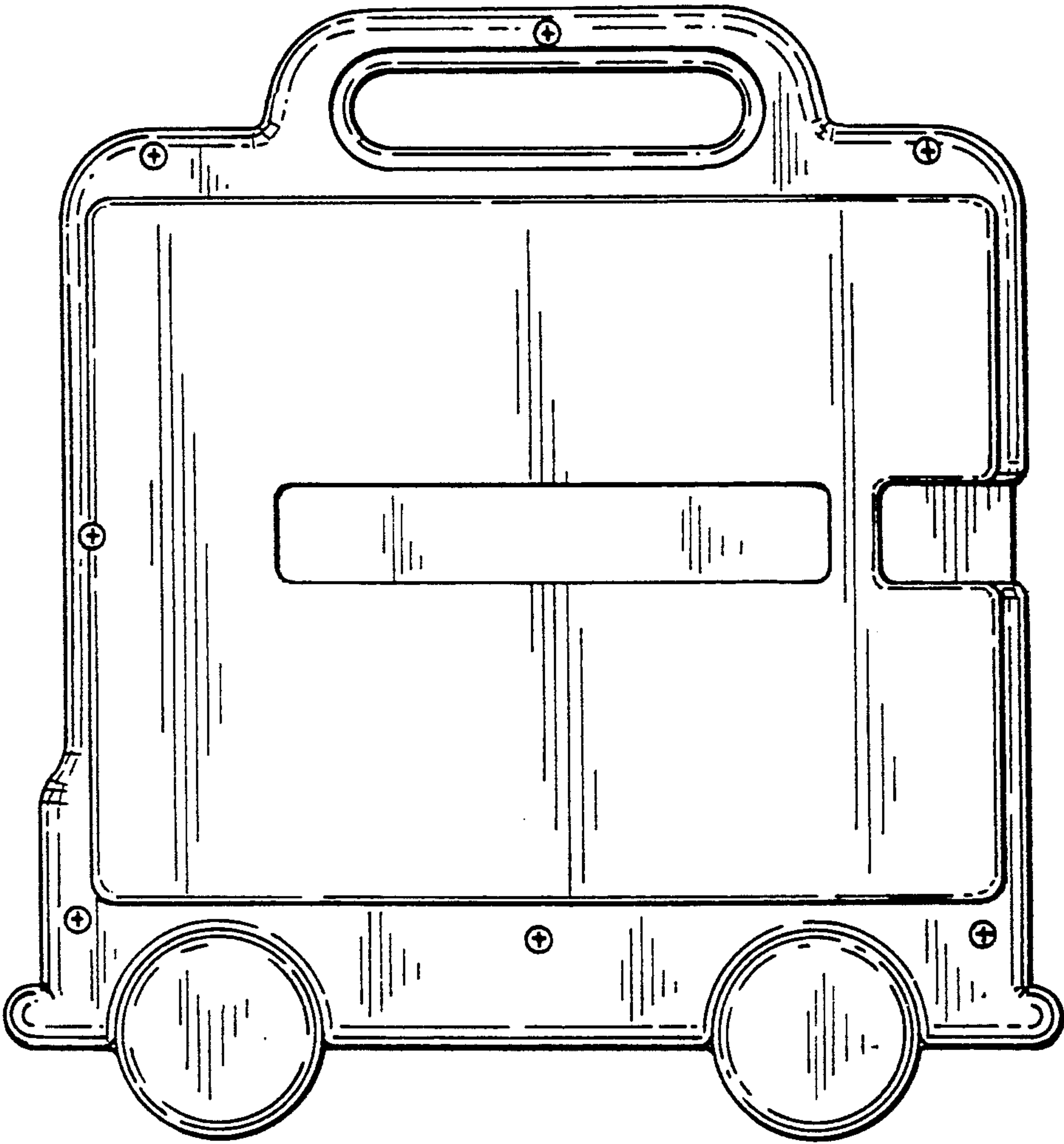


FIG.3

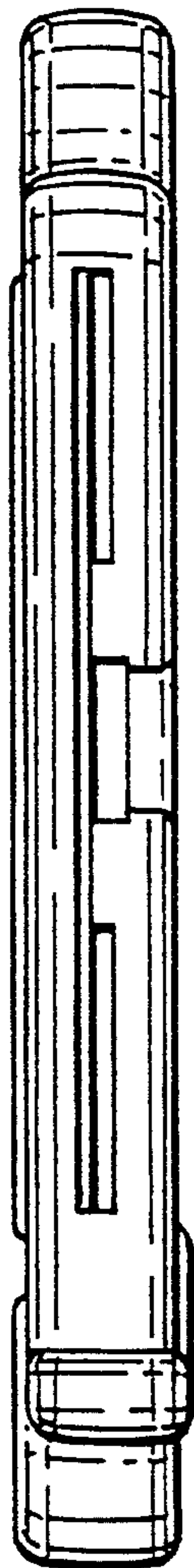


FIG. 5



FIG. 4

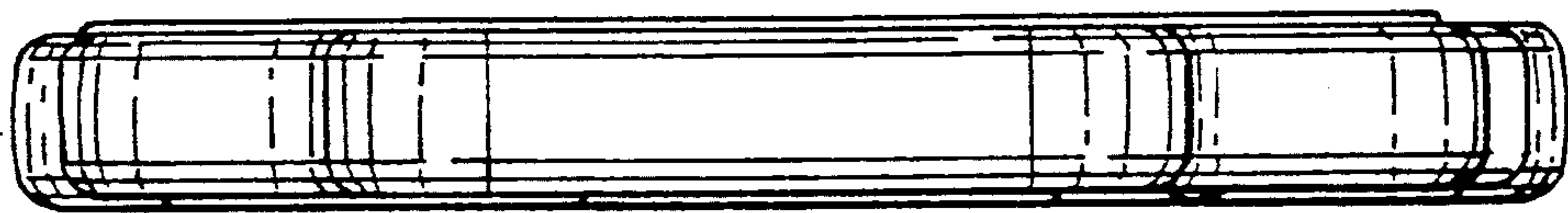


FIG. 6

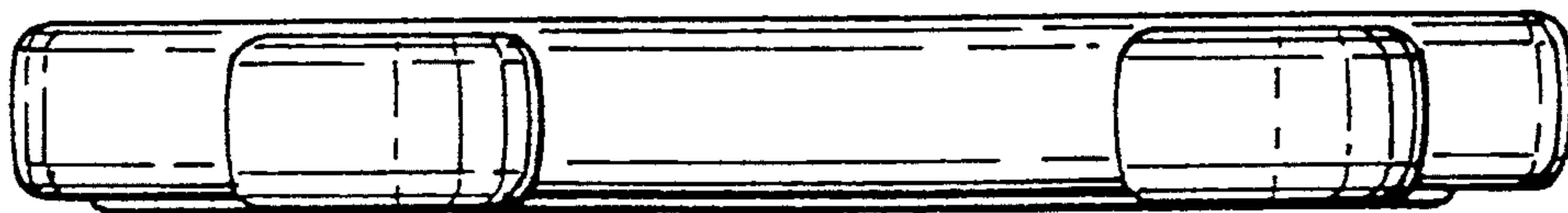


FIG. 7