



US00D327708S

United States Patent [19]

[11] Patent Number: **Des. 327,708**

Schoelpple et al.

[45] Date of Patent: **** Jul. 7, 1992**

[54] **PORTABLE SIGN**

D. 308,543 6/1990 Hunter D20/10
1,742,807 1/1930 Hensel et al. 40/542

[76] Inventors: **James R. Schoelpple; Emma G. Schoelpple**, both of No. 30 Gage Ct., Houston, Tex. 77024

Primary Examiner—Wallace R. Burke
Assistant Examiner—Marcus Jackson
Attorney, Agent, or Firm—Vaden, Eickenroht, Thompson & Boulware

[**] Term: **14 Years**

[21] Appl. No.: **402,922**

[57] **CLAIM**

[22] Filed: **Sep. 5, 1989**

The ornamental design for a portable sign, as shown and described.

[52] U.S. Cl. **D20/10**

[58] Field of Search D20/10, 17, 39, 40, D20/41, 42; 40/540, 541, 542, 584; 362/811, 812; D26/31

DESCRIPTION

FIG. 1 is a front perspective view of a portable sign showing my new design;
FIG. 2 is a front elevational view thereof;
FIG. 3 is a top plan view thereof;
FIG. 4 is a right side elevational view thereof, with the opposite side being a mirror image; and,
FIG. 5 is a bottom plan view thereof.

[56] **References Cited**

U.S. PATENT DOCUMENTS

D. 279,485 7/1985 Brennan D20/42
D. 303,402 9/1989 Brown D20/10

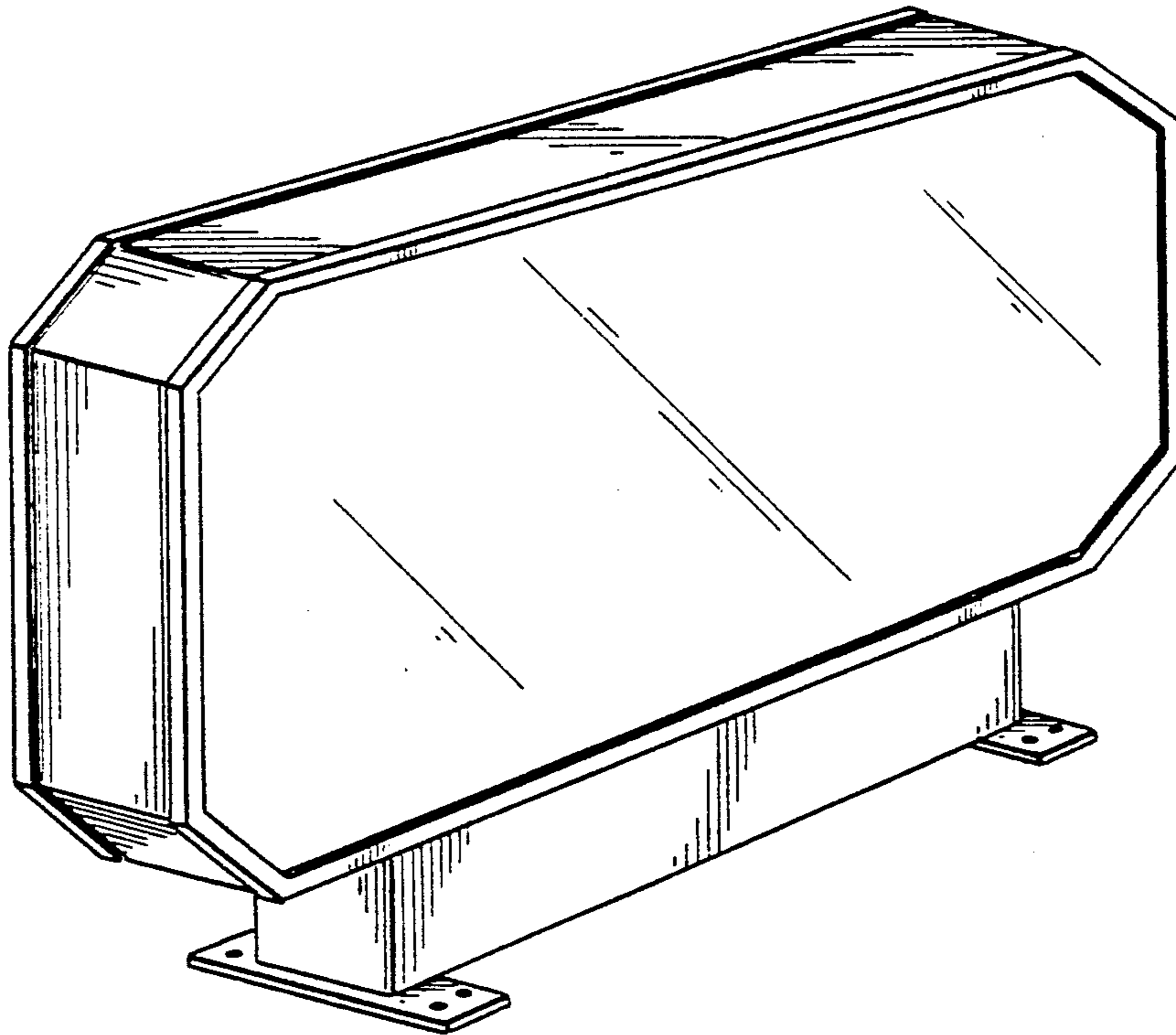


FIG. 1

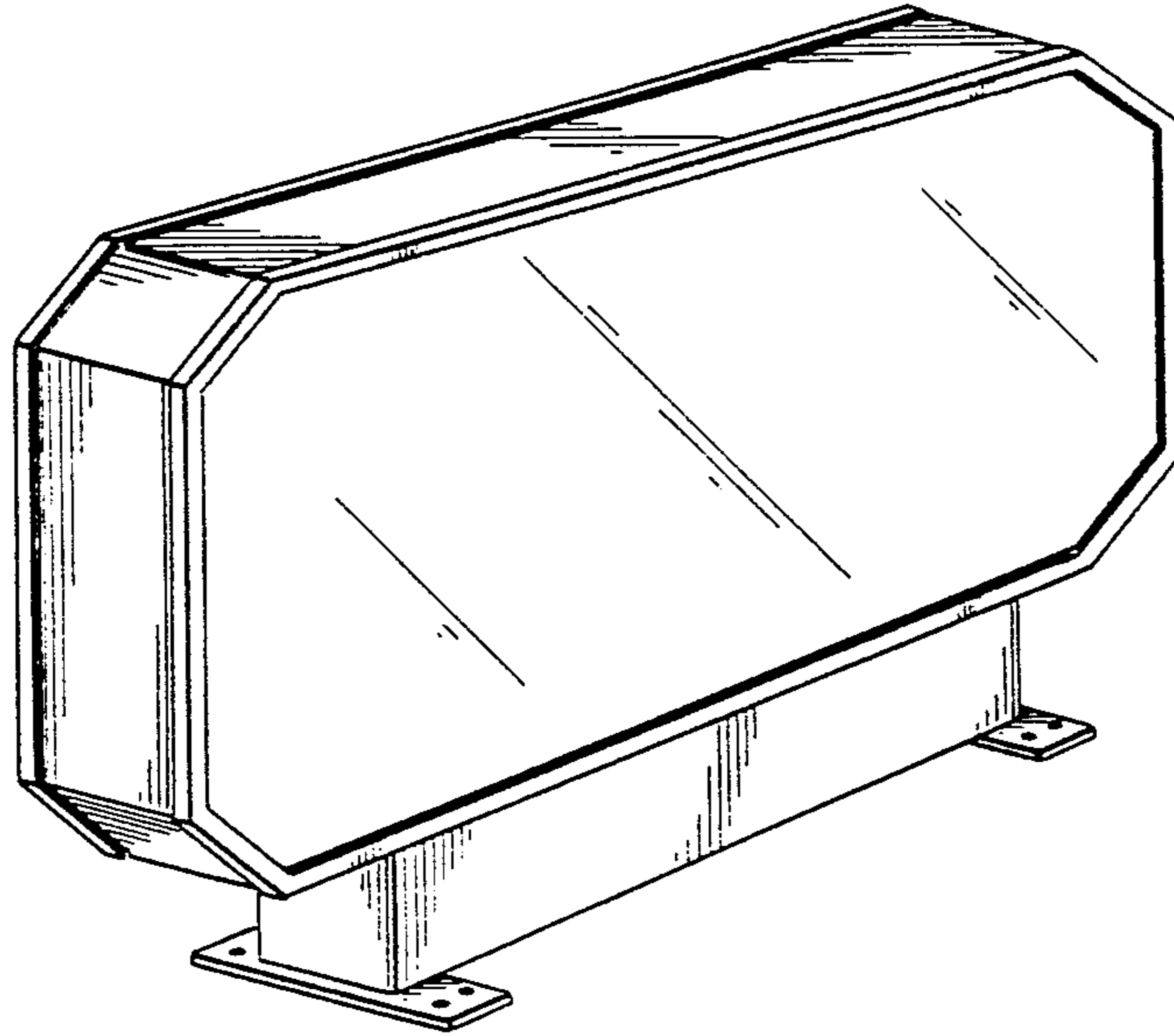


FIG. 3

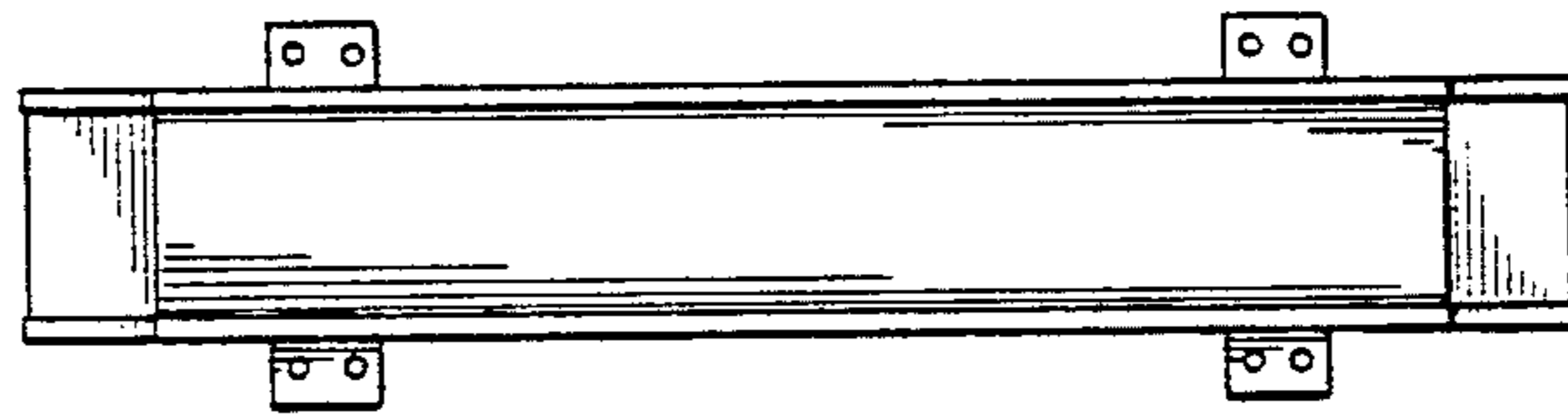


FIG. 4

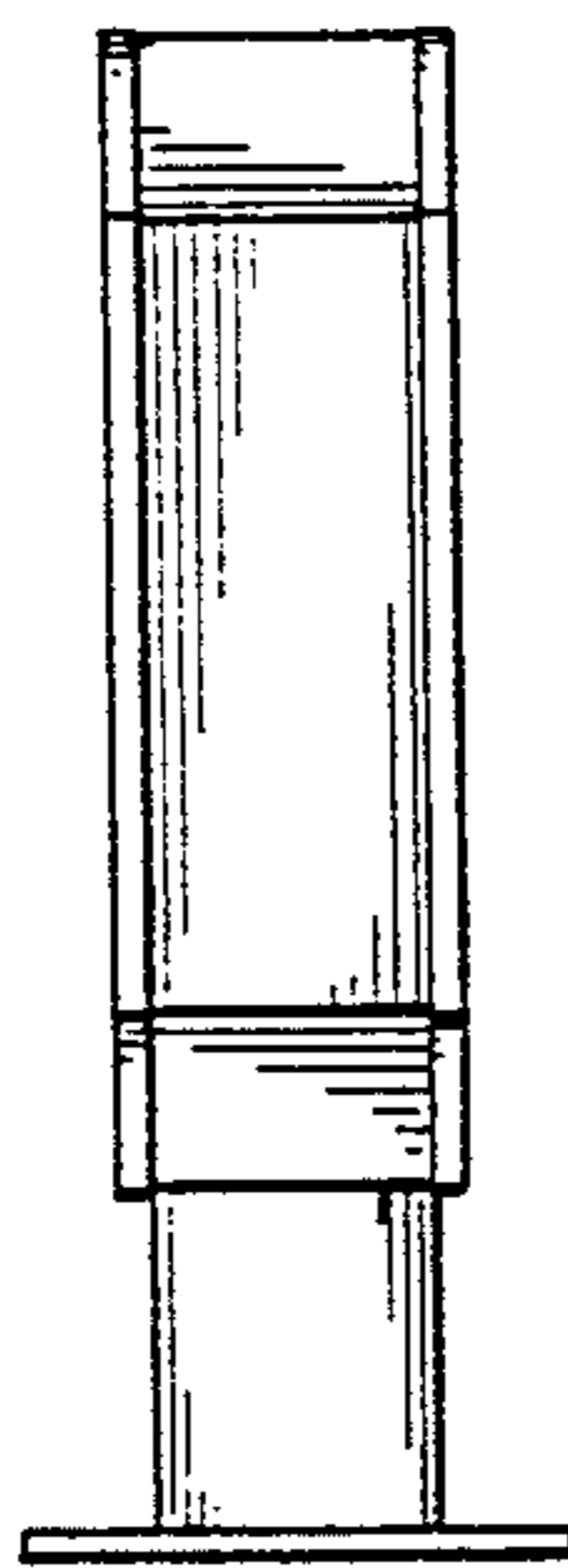


FIG. 2

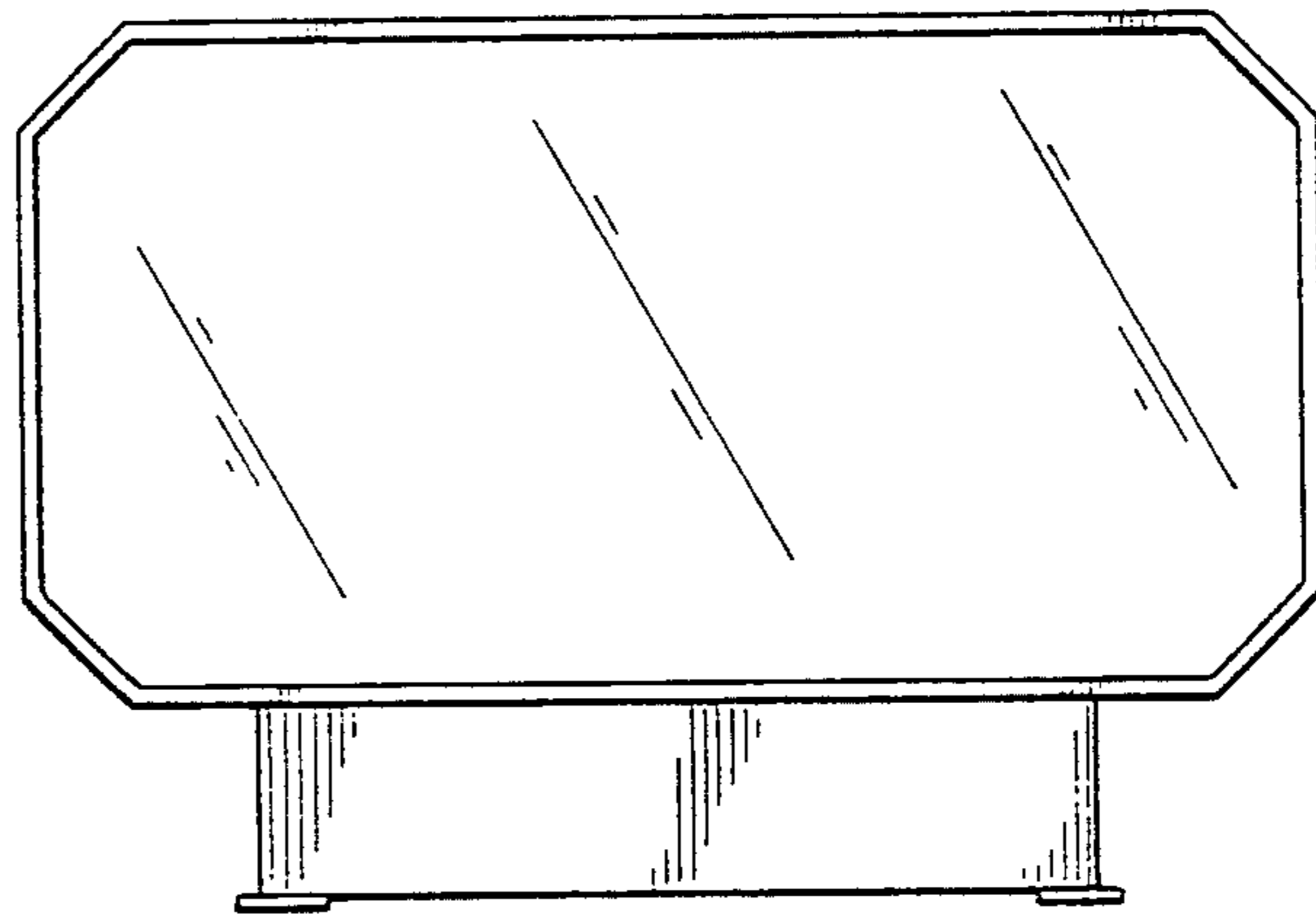


FIG. 5

