



US00D327702S

# United States Patent [19]

Otsuki

[11] Patent Number: **Des. 327,702**

[45] Date of Patent: **\*\* Jul. 7, 1992**

[54] **INK ROLLER FOR PRINTER**

[75] Inventor: **Noboru Otsuki, Nagano, Japan**

[73] Assignee: **Seiko Epson Corporation, Tokyo, Japan**

[\*\*] Term: **14 Years**

[21] Appl. No.: **563,212**

[22] Filed: **Aug. 6, 1990**

[30] **Foreign Application Priority Data**

Feb. 7, 1990 [JP] Japan ..... 2-3586

[52] U.S. Cl. .... **D18/58**

[58] Field of Search ..... 101/348, 101, 333, 334,  
101/97-98; 400/471, 121, 208; D18/40, 56-58,  
17, 18

[56] **References Cited**

**U.S. PATENT DOCUMENTS**

D. 263,604	3/1982	Shimodaira	.....	D18/58
D. 266,570	10/1982	Mori	.....	D18/58
D. 280,645	9/1985	Mori	.....	D18/58
D. 287,023	12/1986	Masaki	.....	D18/40
D. 310,682	9/1990	Tsumuro	.....	D18/40

4,478,146	10/1984	Mistyuvik	.....	101/348
4,869,167	9/1989	Villarreal	.....	101/348
4,887,533	12/1989	Lemaster et al.	.....	101/348
4,953,995	9/1990	Sims et al.	.....	400/121
5,005,998	4/1991	Takanashi et al.	.....	400/208
5,065,676	11/1991	Hardin	.....	101/348

**FOREIGN PATENT DOCUMENTS**

729561 5/1955 United Kingdom ..... 101/348

*Primary Examiner*—A. Hugo Word

*Assistant Examiner*—Cathy Anne MacCormac

*Attorney, Agent, or Firm*—Blum Kaplan

[57] **CLAIM**

The ornamental design for an ink roller for printer, as shown and described.

**DESCRIPTION**

FIG. 1 is a perspective view of an ink roller for printer showing my new design;

FIG. 2 is a right side view thereof;

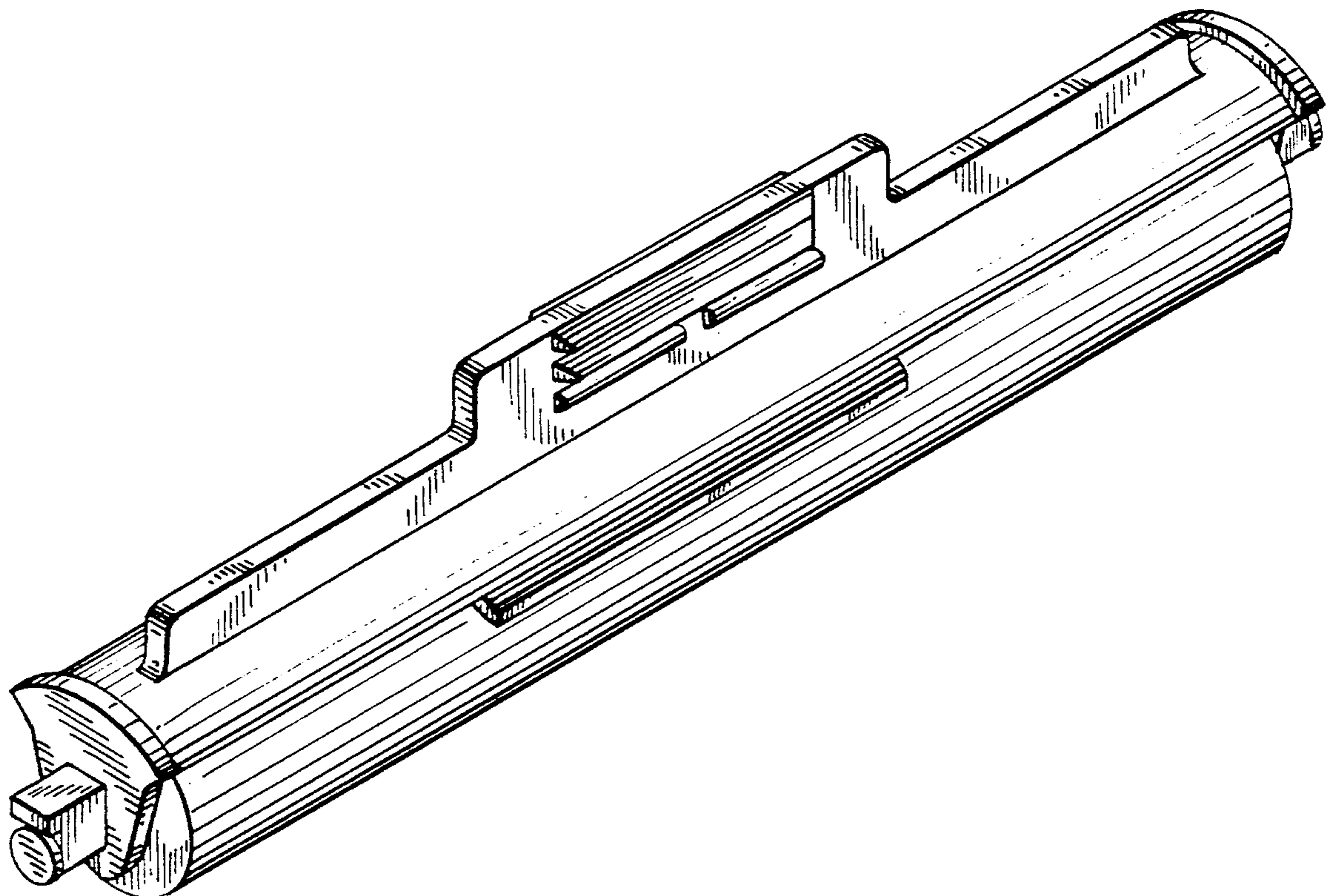
FIG. 3 is a left side view thereof;

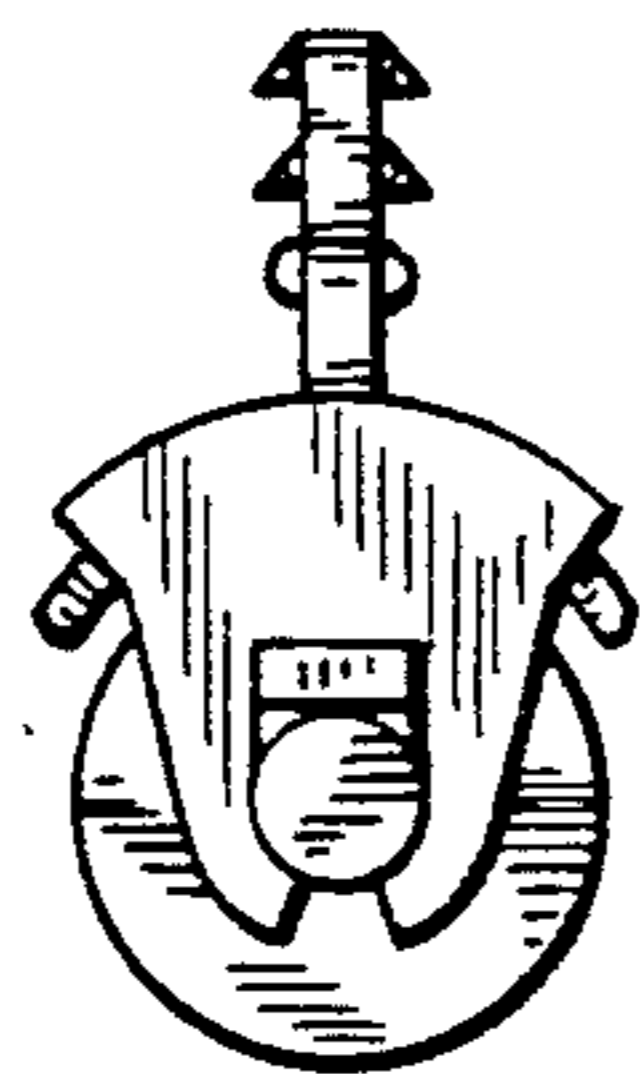
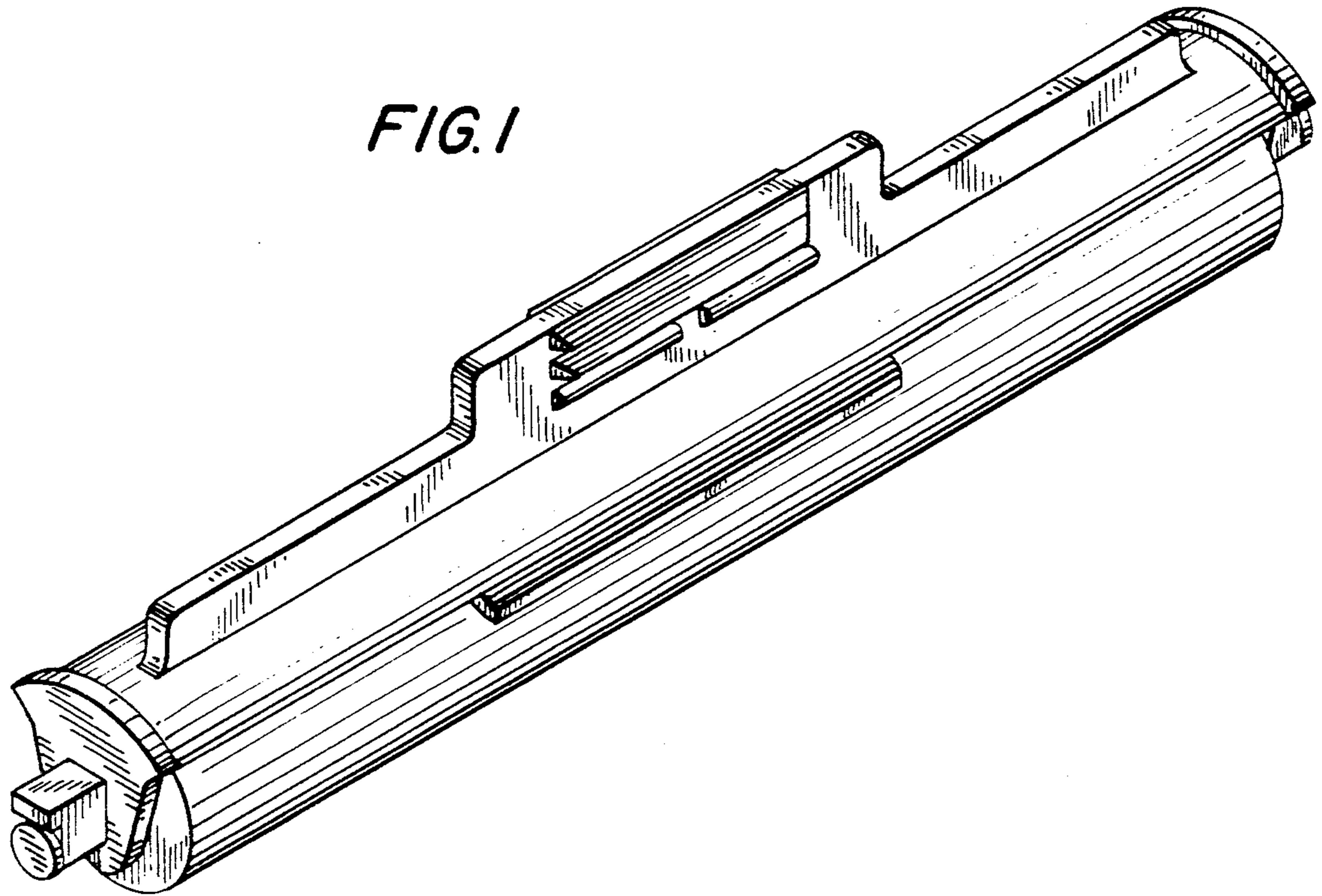
FIG. 4 is a top plan view thereof;

FIG. 5 is a front elevational view thereof;

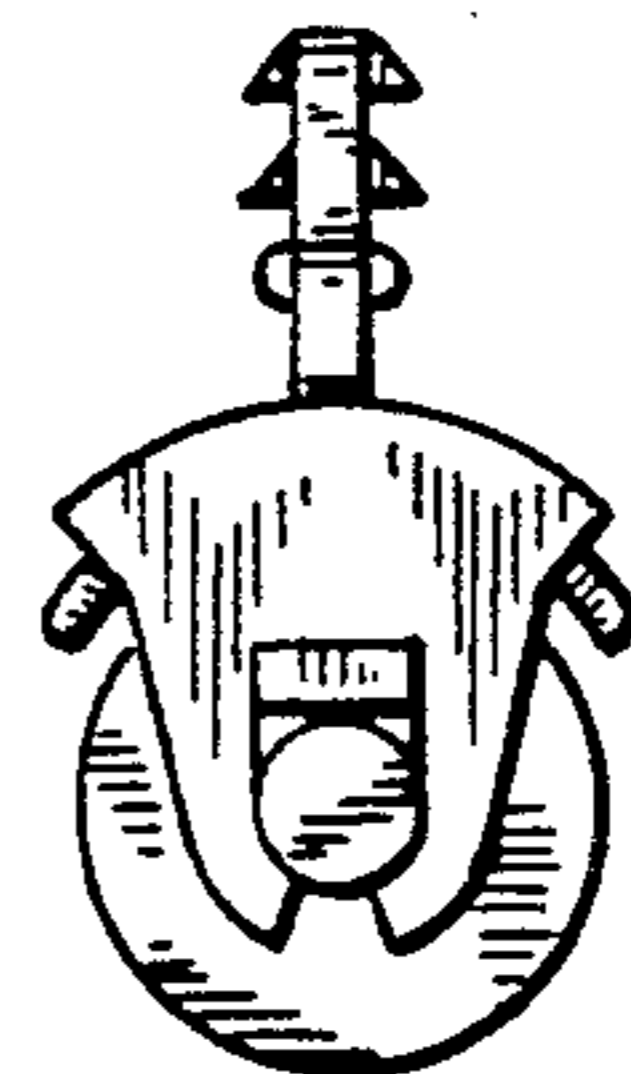
FIG. 6 is a bottom plan view thereof; and,

FIG. 7 is a rear elevational view thereof.

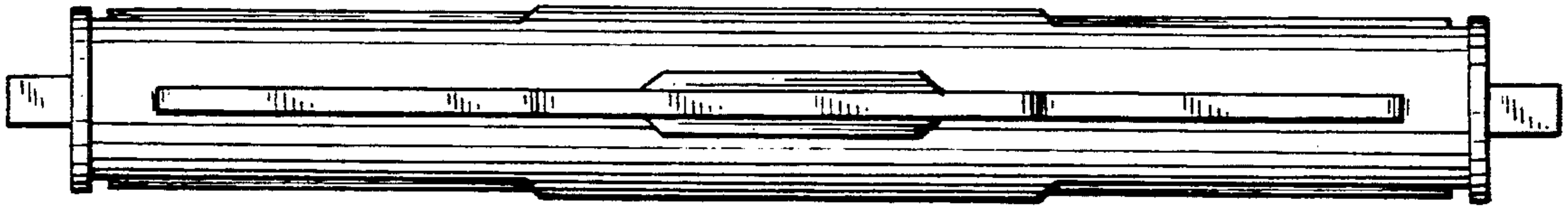




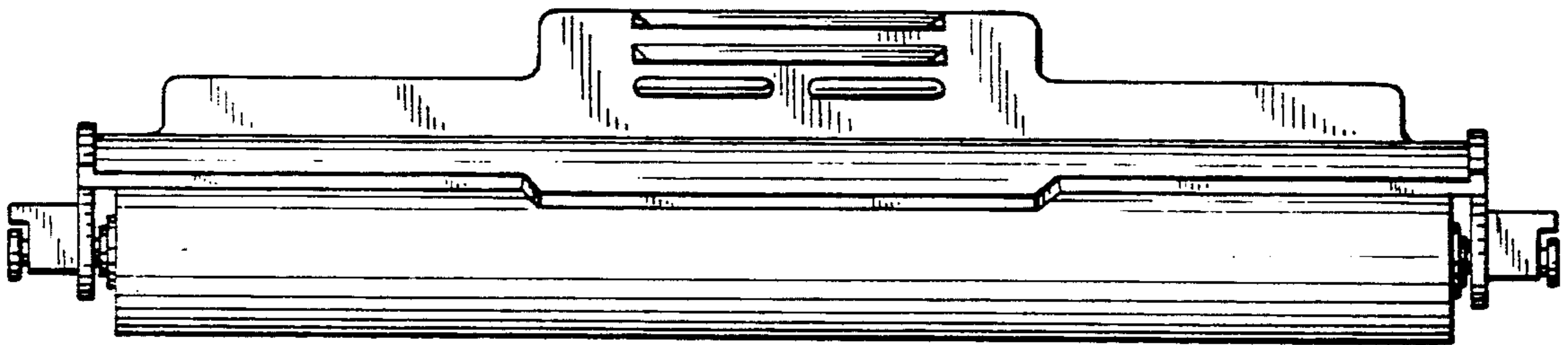
*FIG. 2*



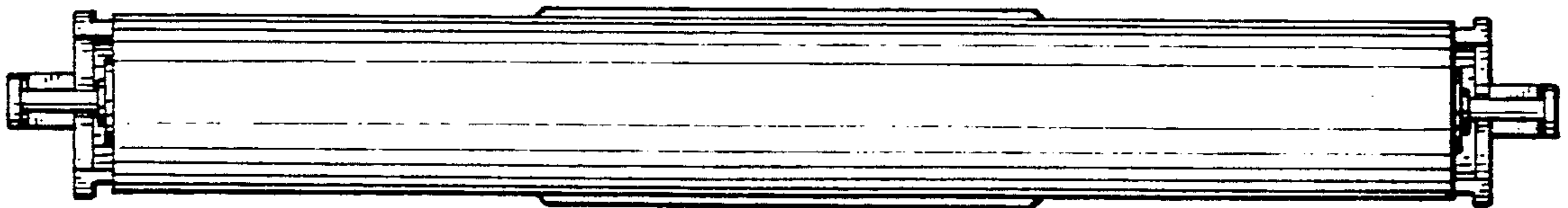
*FIG. 3*



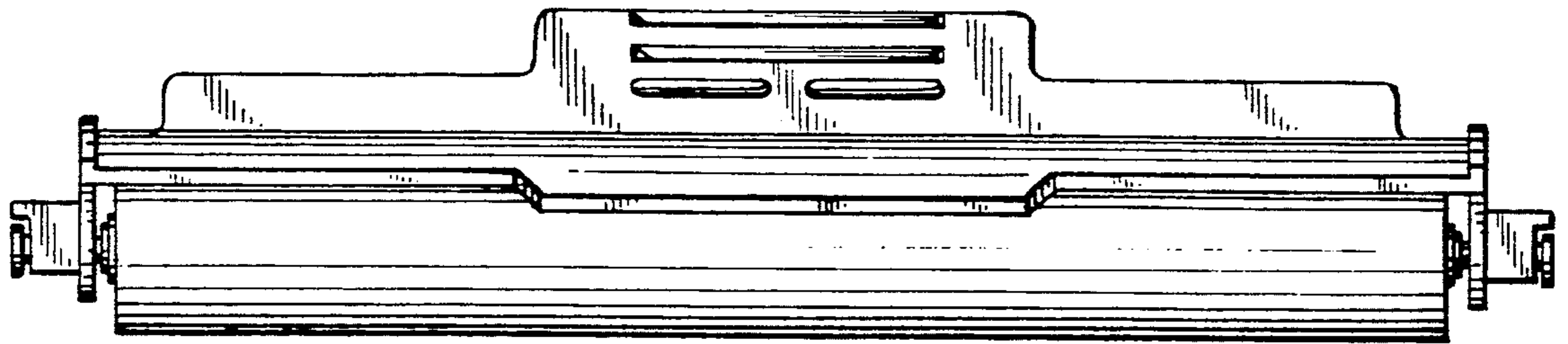
*FIG. 4*



*FIG. 5*



*FIG. 6*



*FIG. 7*