

[54] VIDEO CAMERA WITH VIDEO TAPE RECORDER

[75] Inventor: Yuzuru Masuda, Yokohama, Japan

[73] Assignee: Canon Kabushiki Kaisha, Tokyo, Japan

[\*\*] Term: 14 Years

[21] Appl. No.: 578,326

[22] Filed: Sep. 6, 1990

[30] Foreign Application Priority Data

Mar. 28, 1990 [JP] Japan ..... 2-10683

[52] U.S. Cl. .... D16/202

[58] Field of Search ..... D16/200, 202, 203-205, D16/208; 352/34, 242, 243; 354/82, 293, 288; 358/229, 906

[56] References Cited

U.S. PATENT DOCUMENTS

- D. 289,645 5/1987 Kondo ..... D14/78
- D. 305,240 12/1989 Kondoh ..... D16/202
- D. 315,915 4/1991 Morimiya ..... D16/202
- D. 316,419 4/1991 Matsumura ..... D16/202
- D. 316,420 4/1991 Tanaka ..... D16/202

- D. 322,266 12/1991 Ichiyoshi ..... D16/202
- D. 322,267 12/1991 Matsumura ..... D16/202
- D. 322,448 12/1991 Kondo ..... D16/202
- 4,772,902 9/1988 Inoue et al. .... 354/82

OTHER PUBLICATIONS

Video Review, Jan. 1989 p. 106 (Ricoh Camcorder, R-620).

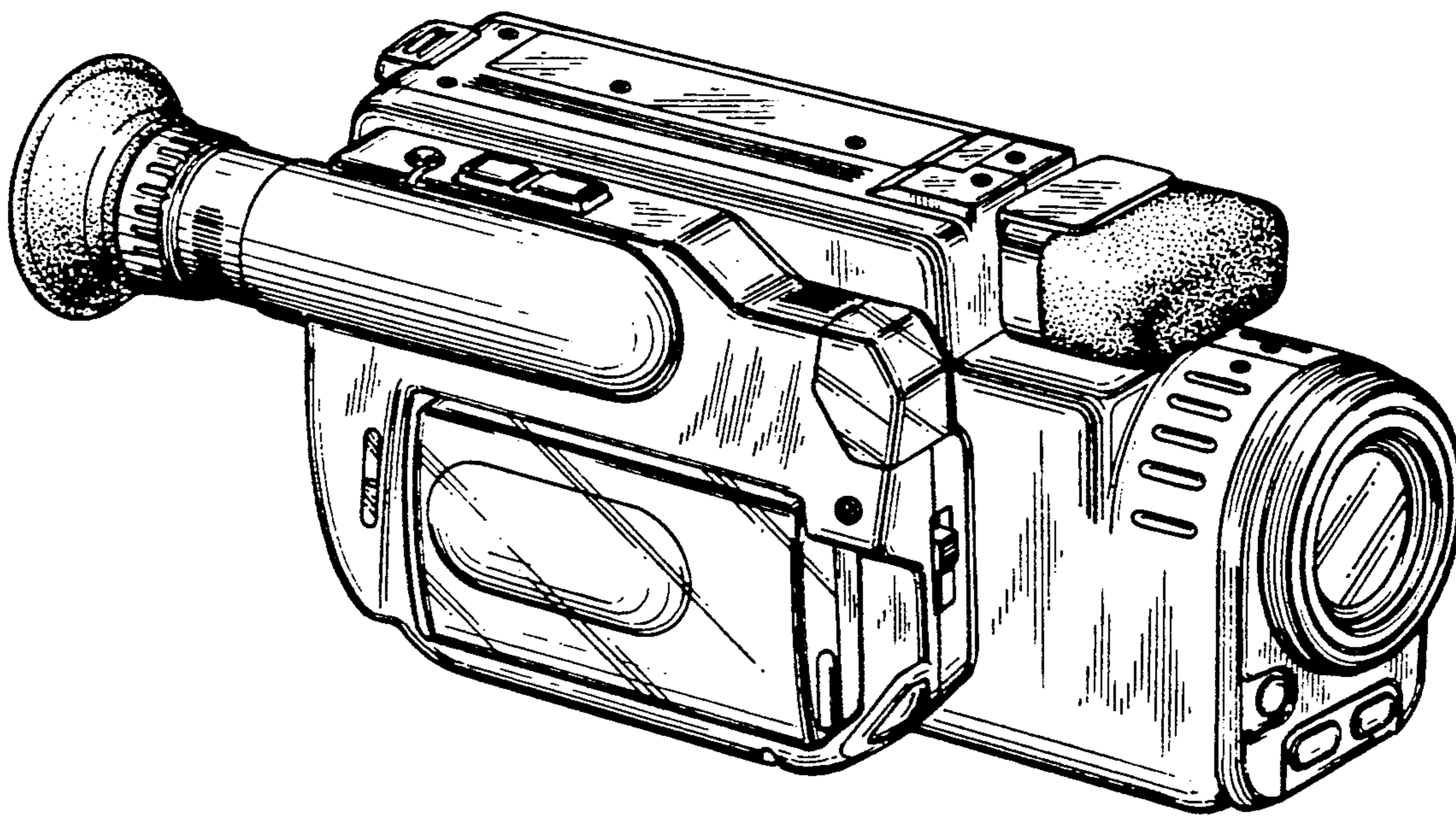
Primary Examiner—Bernard Ansher  
Assistant Examiner—Adir Aronovich  
Attorney, Agent, or Firm—Fitzpatrick, Cella, Harper & Scinto

CLAIM

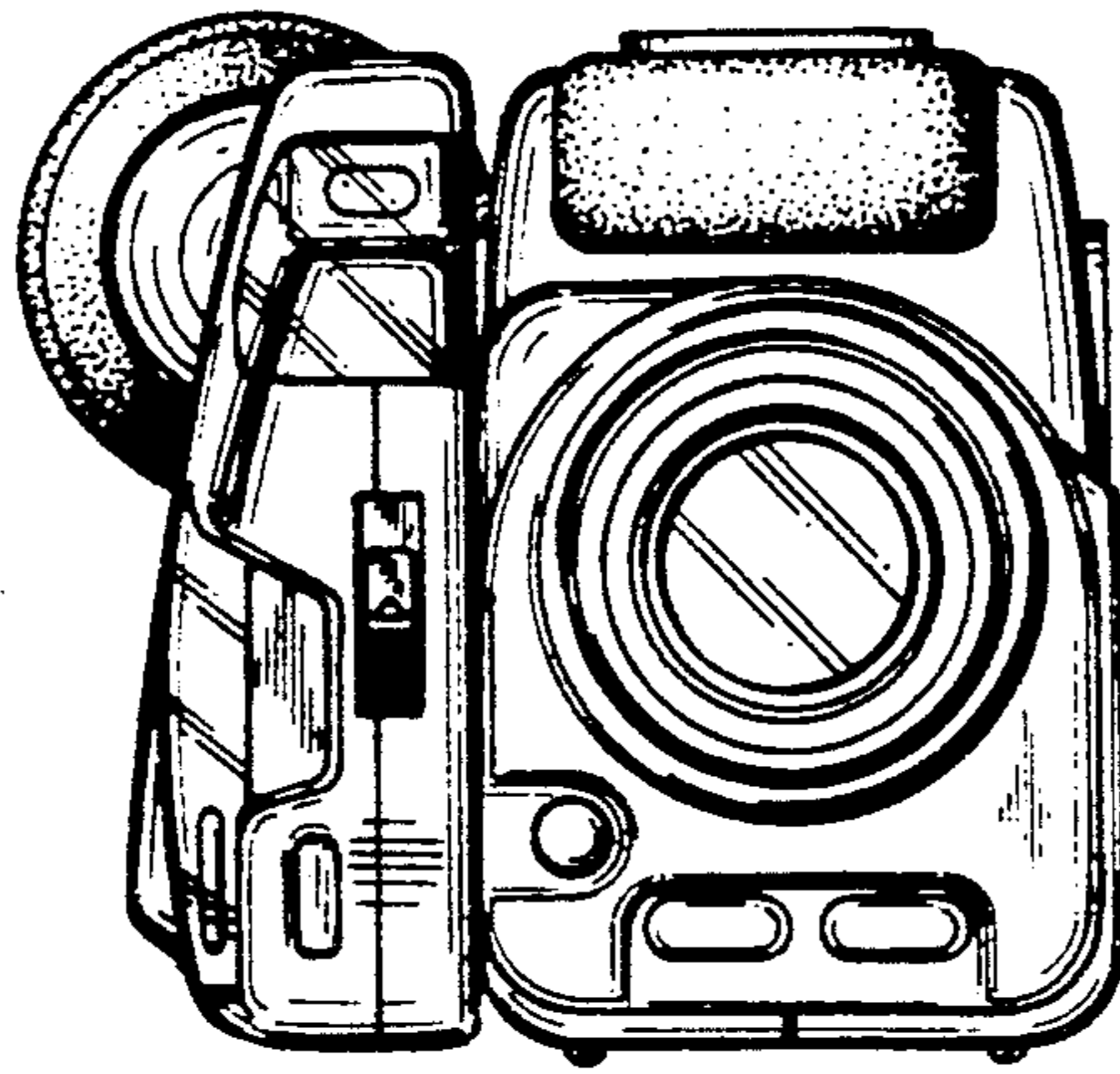
[57] The ornamental design for a video camera with video tape recorder, as shown and described.

DESCRIPTION

FIG. 1 is a front elevational view of a video camera with video tape recorder showing my new design; FIG. 2 is a rear elevational view thereof; FIG. 3 is a top plan view thereof; FIG. 4 is a bottom plan view thereof; FIG. 5 is a left side elevational view thereof; FIG. 6 is a right side elevational view thereof; and, FIG. 7 is a perspective view thereof.



*FIG. 1*



*FIG. 2*

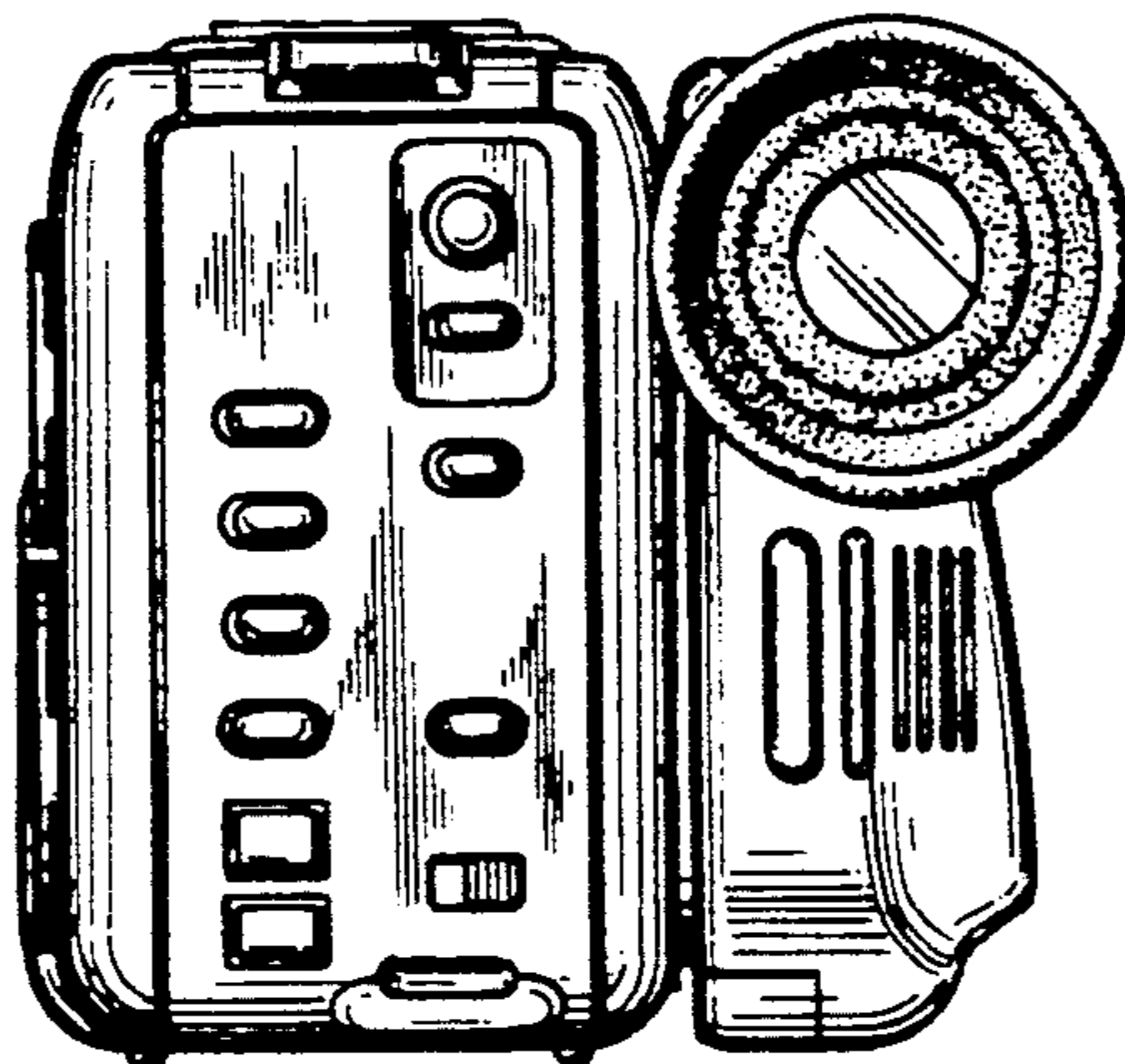


FIG. 3

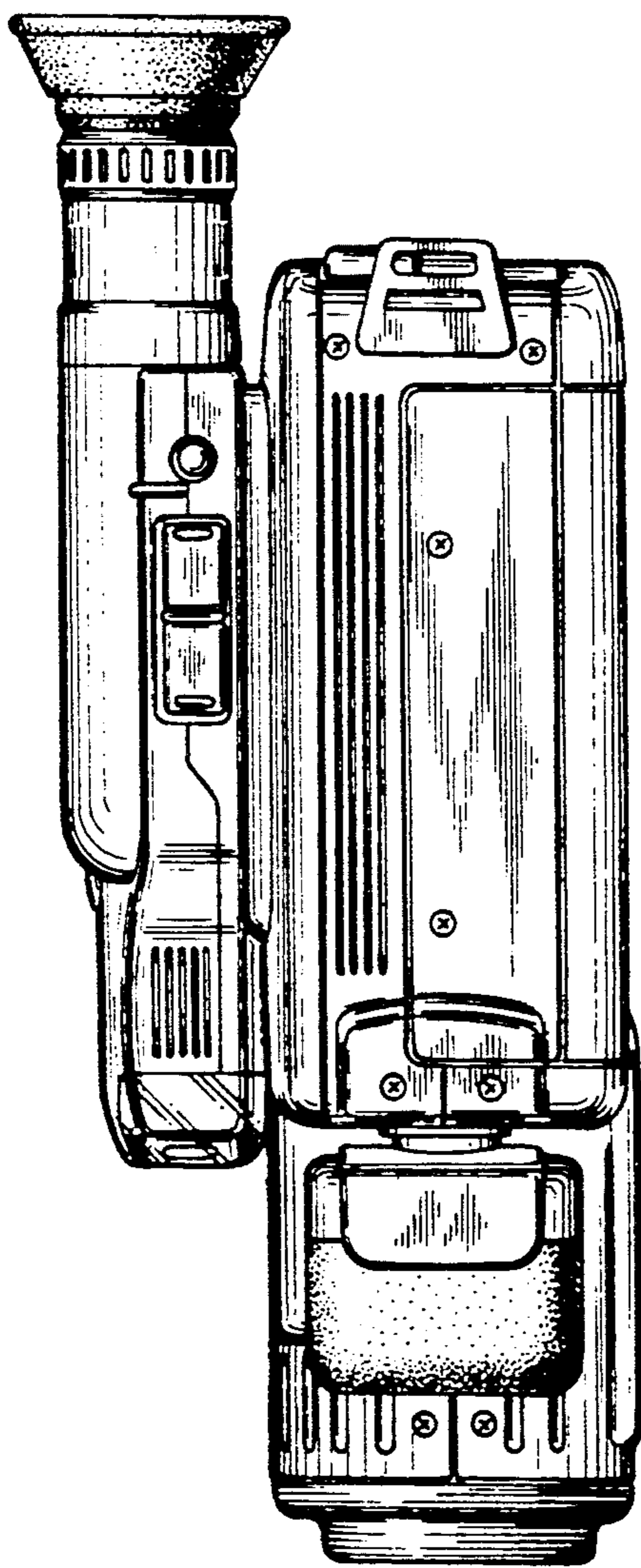


FIG. 4

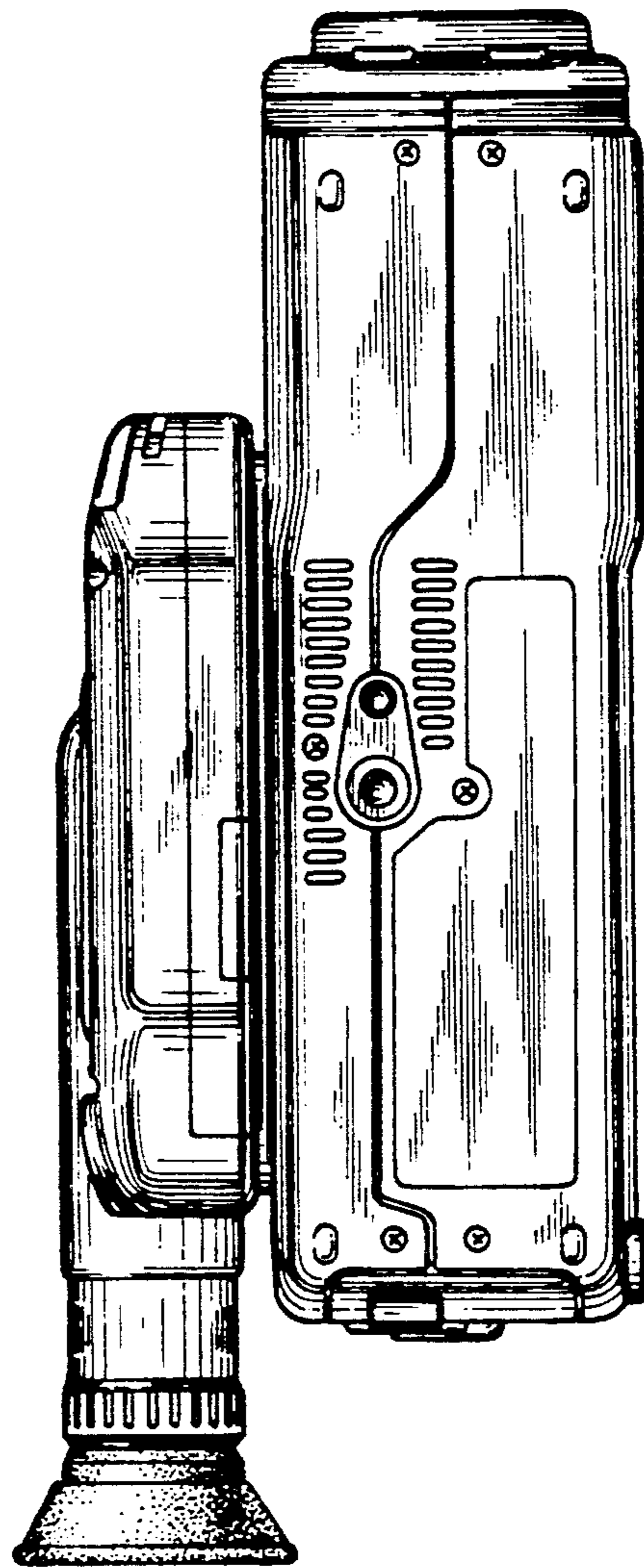


FIG. 5

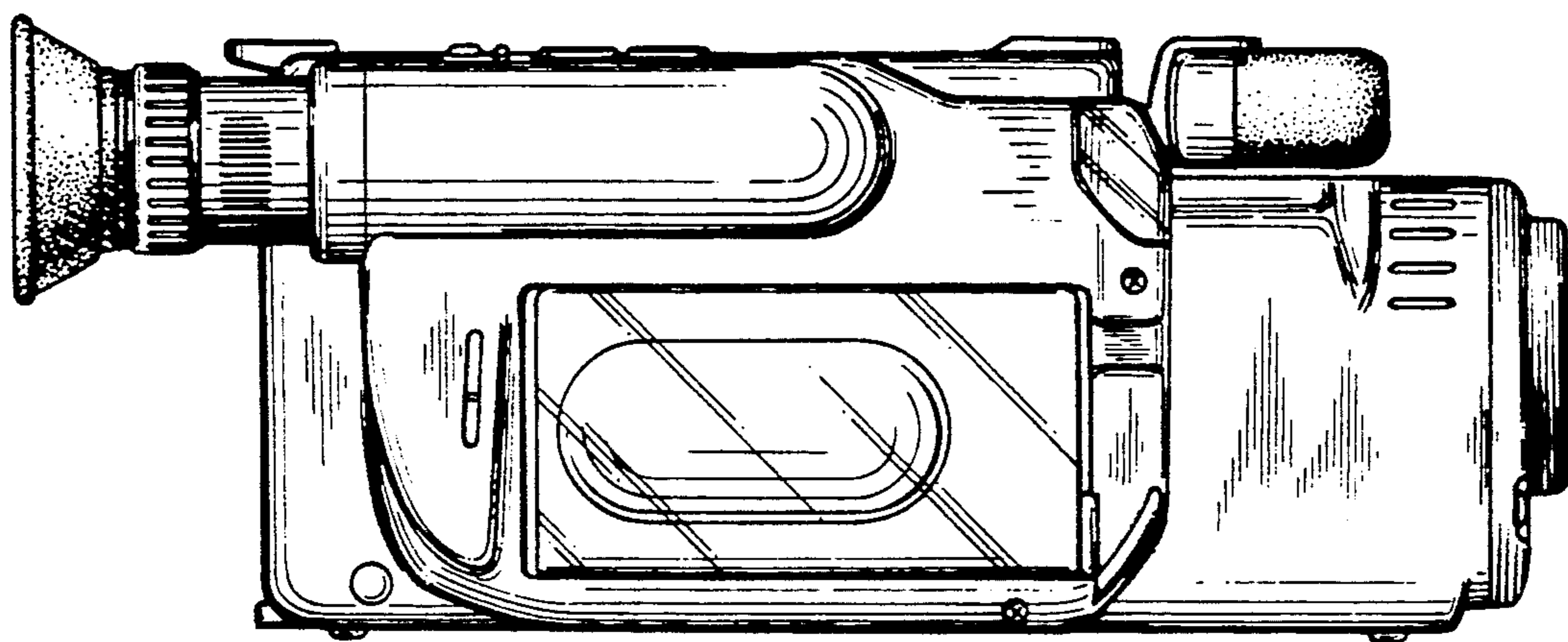


FIG. 6

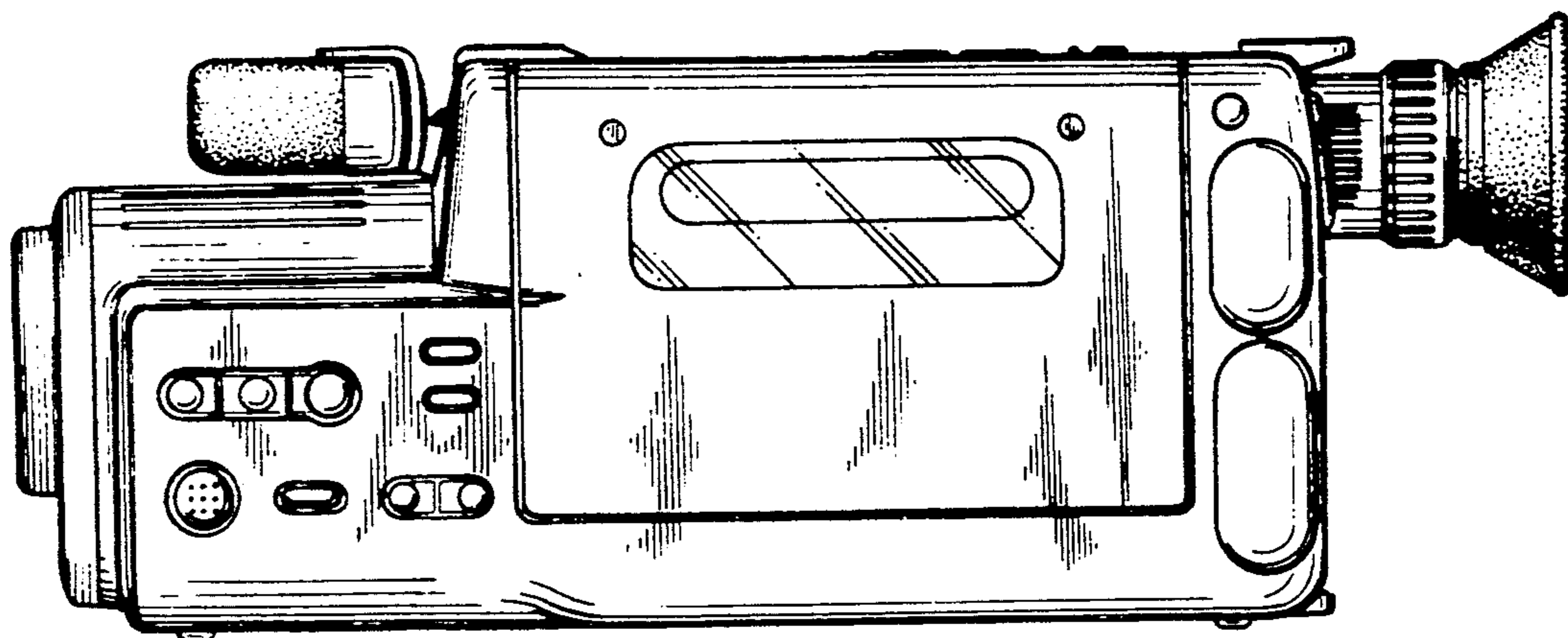


FIG. 7

