



US00D327694S

United States Patent [19]

Tanaka

[11] Patent Number: **Des. 327,694**

[45] Date of Patent: **** Jul. 7, 1992**

[54] SPOT WELDER

[76] Inventor: **Takemi Tanaka**, 24-7, Kita Shinjuku
2-chome, Shinjuku-ky, Tokyo, Japan

[**] Term: **14 Years**

[21] Appl. No.: **391,498**

[22] Filed: **Aug. 9, 1989**

[52] U.S. Cl. **D15/144**

[58] Field of Search **D15/132, 144;**
219/86.21, 86.33

4,510,370 4/1985 Szantho et al. 219/86.33 X
4,656,327 4/1987 Wilcox 219/86.21
4,924,055 5/1990 Nakahigasi et al. 219/86.21

Primary Examiner—Donald P. Walsh
Assistant Examiner—Antoine D. Davis

[57] CLAIM

The ornamental design for a spot welder, as shown and described.

DESCRIPTION

FIG. 1 is a top, front and left side perspective view of a spot welder showing my new design;
FIG. 2 is a top, rear and right side perspective view;
FIG. 3 is a left side elevational view;
FIG. 4 is a right side elevational view;
FIG. 5 is a top plan view;
FIG. 6 is a bottom plan view;
FIG. 7 is a front elevational view; and,
FIG. 8 is a rear elevational view thereof.

[56] References Cited

U.S. PATENT DOCUMENTS

D. 268,185 3/1983 Hirose et al. D15/132
2,408,847 10/1946 Gross et al. 219/86.21
2,929,913 3/1960 Miller 219/86.21 X
4,484,055 11/1984 Haines et al. 219/86.21
4,504,724 3/1985 Szantho et al. 219/86.33 X

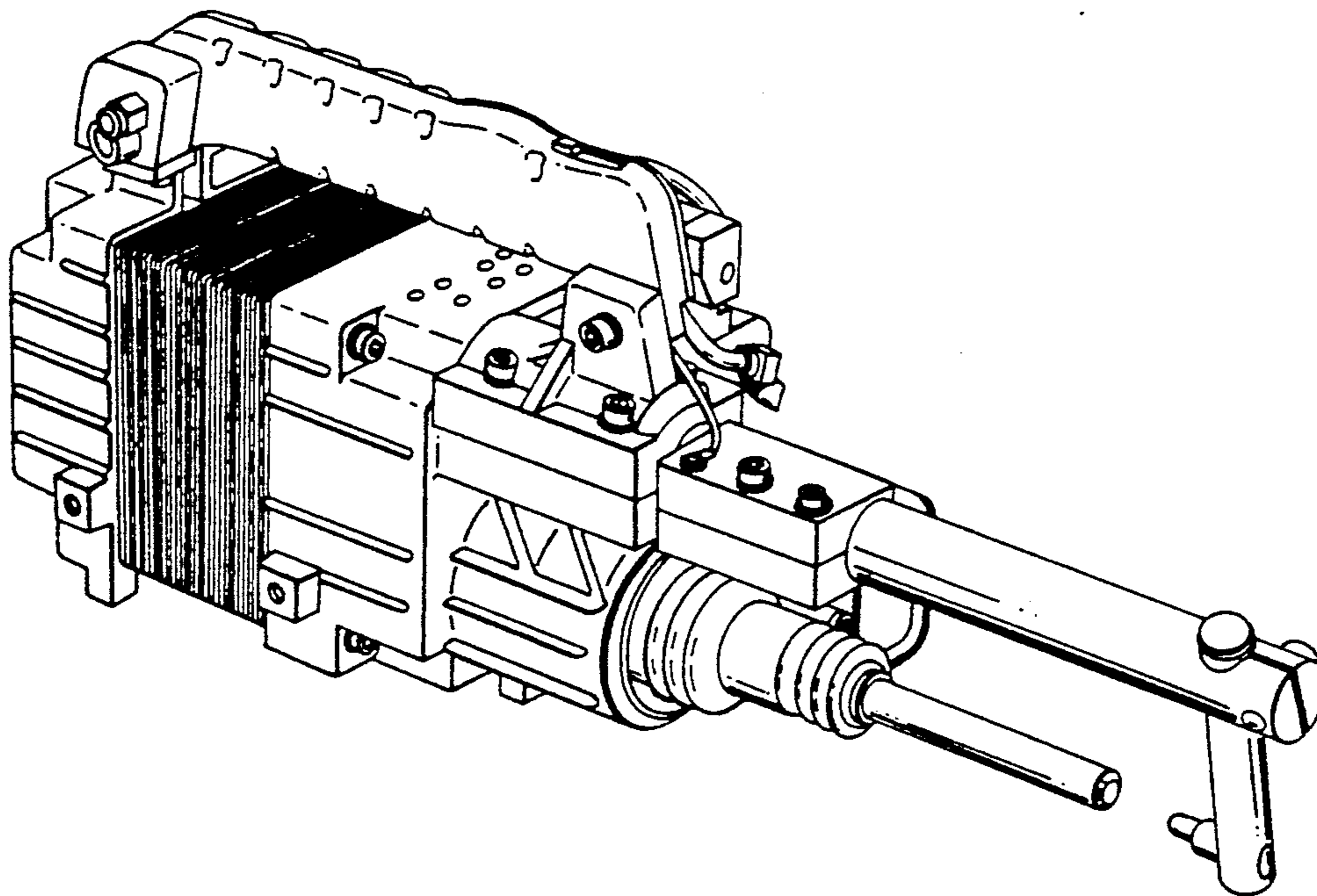


FIG. 1

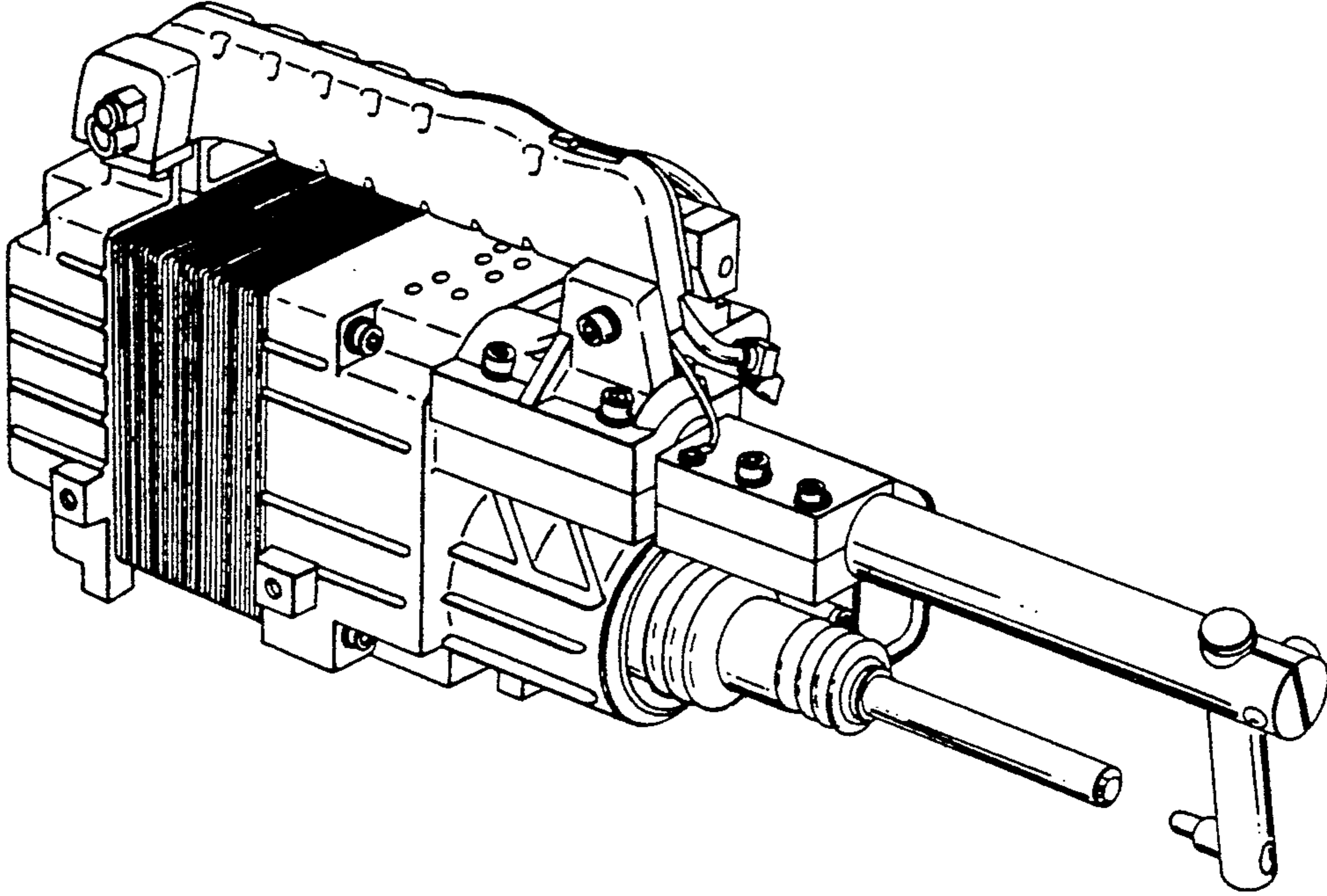


FIG. 2

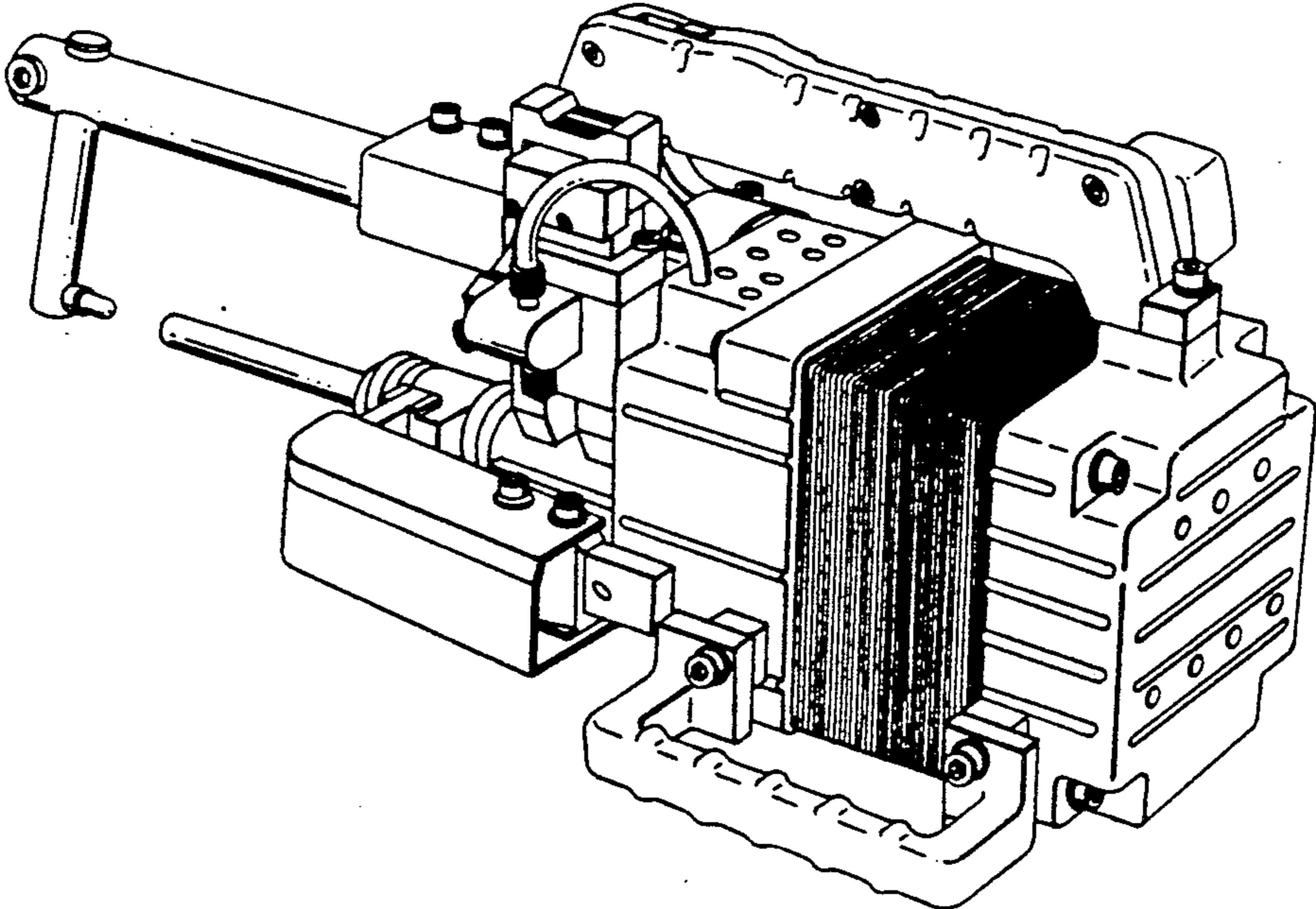


FIG. 3

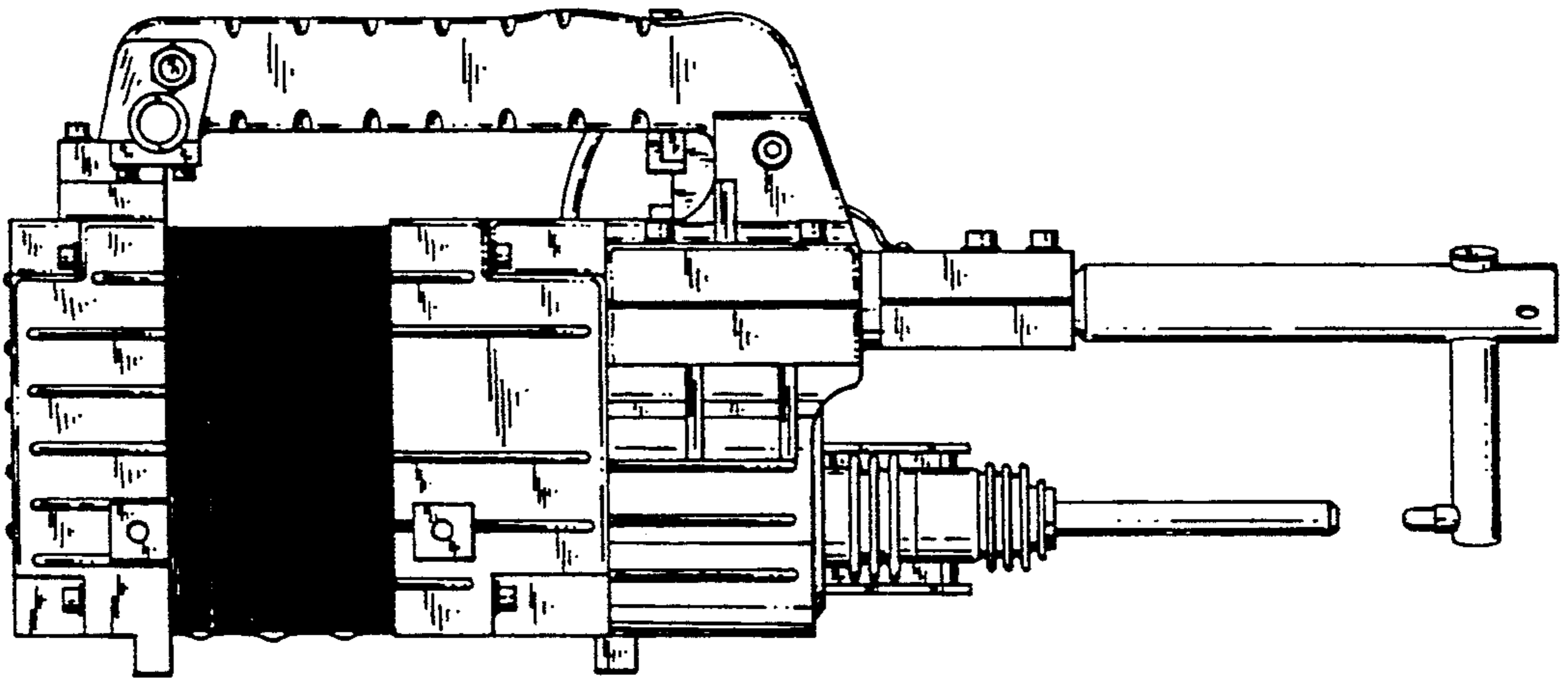


FIG. 4

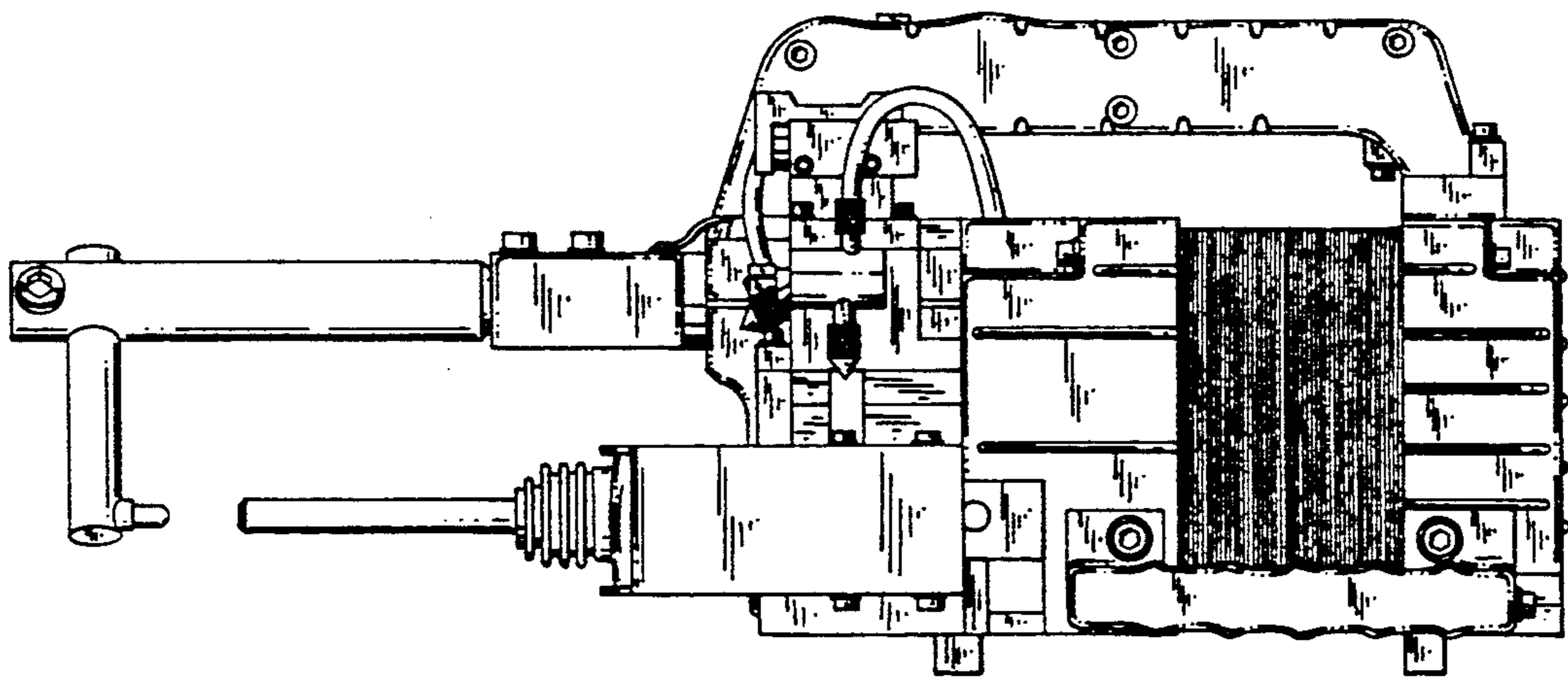


FIG. 5

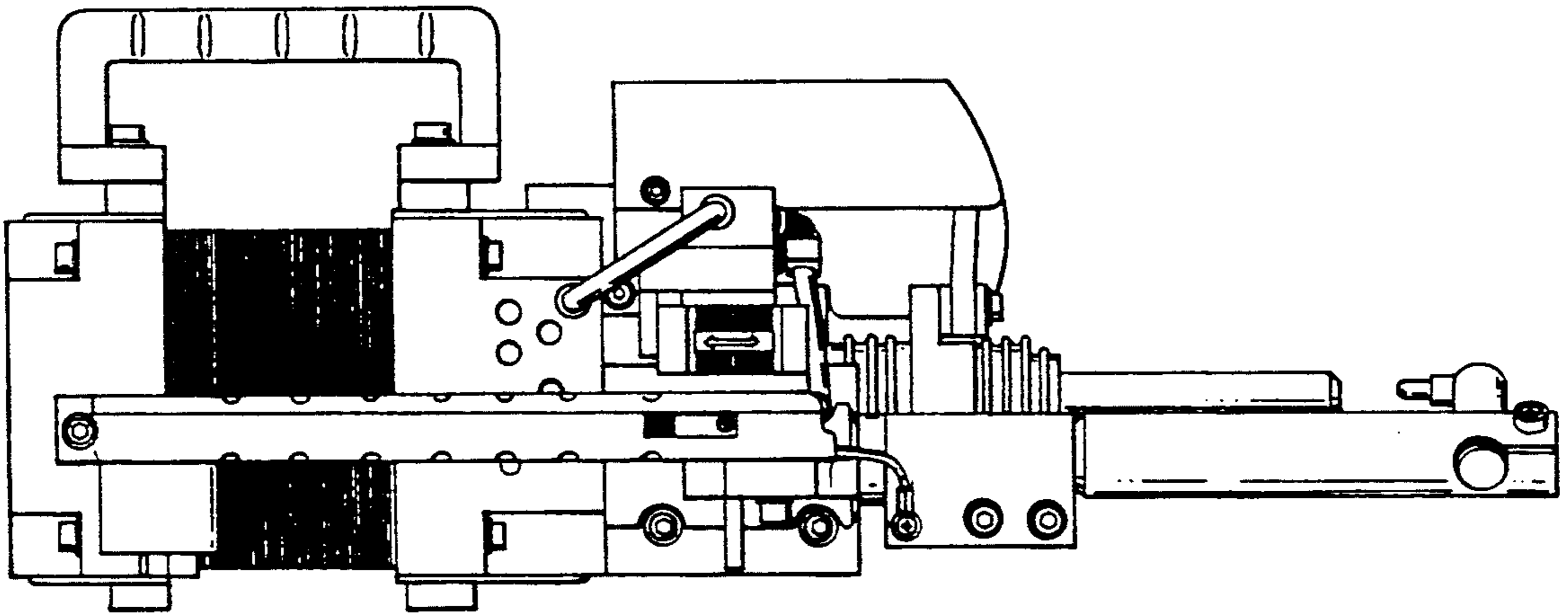


FIG. 6

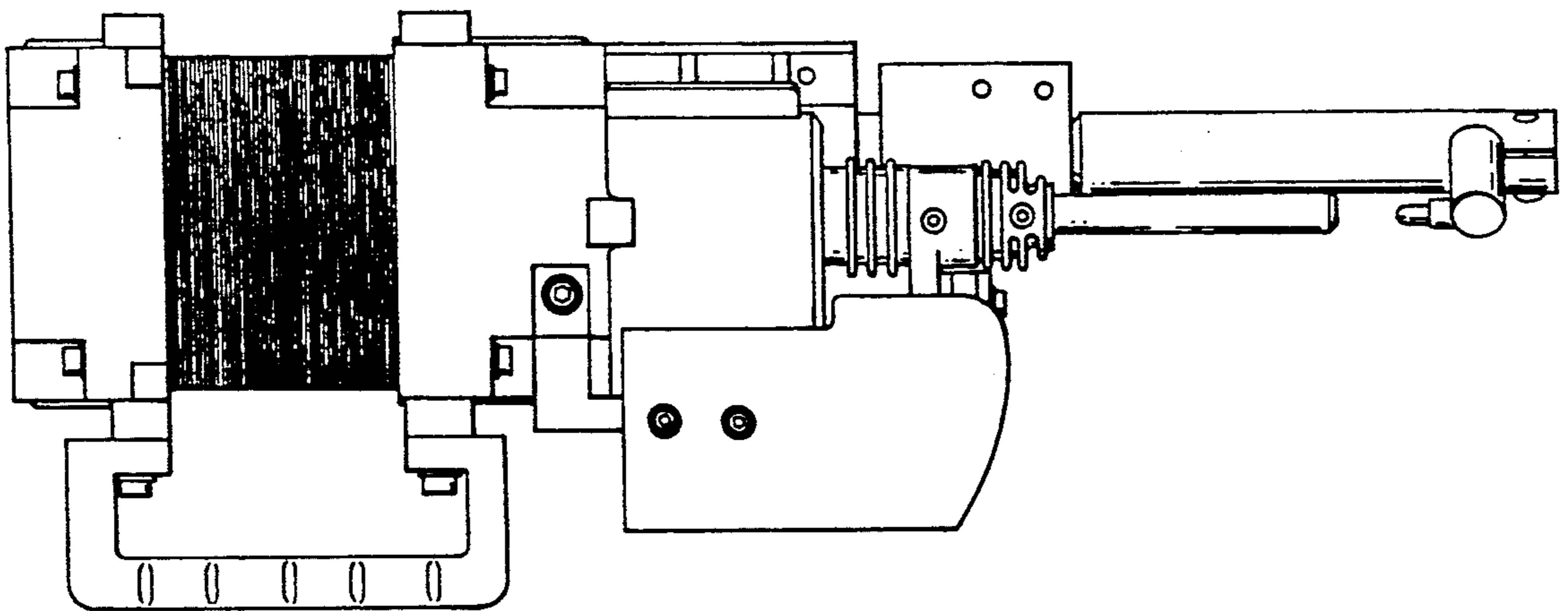


FIG. 7

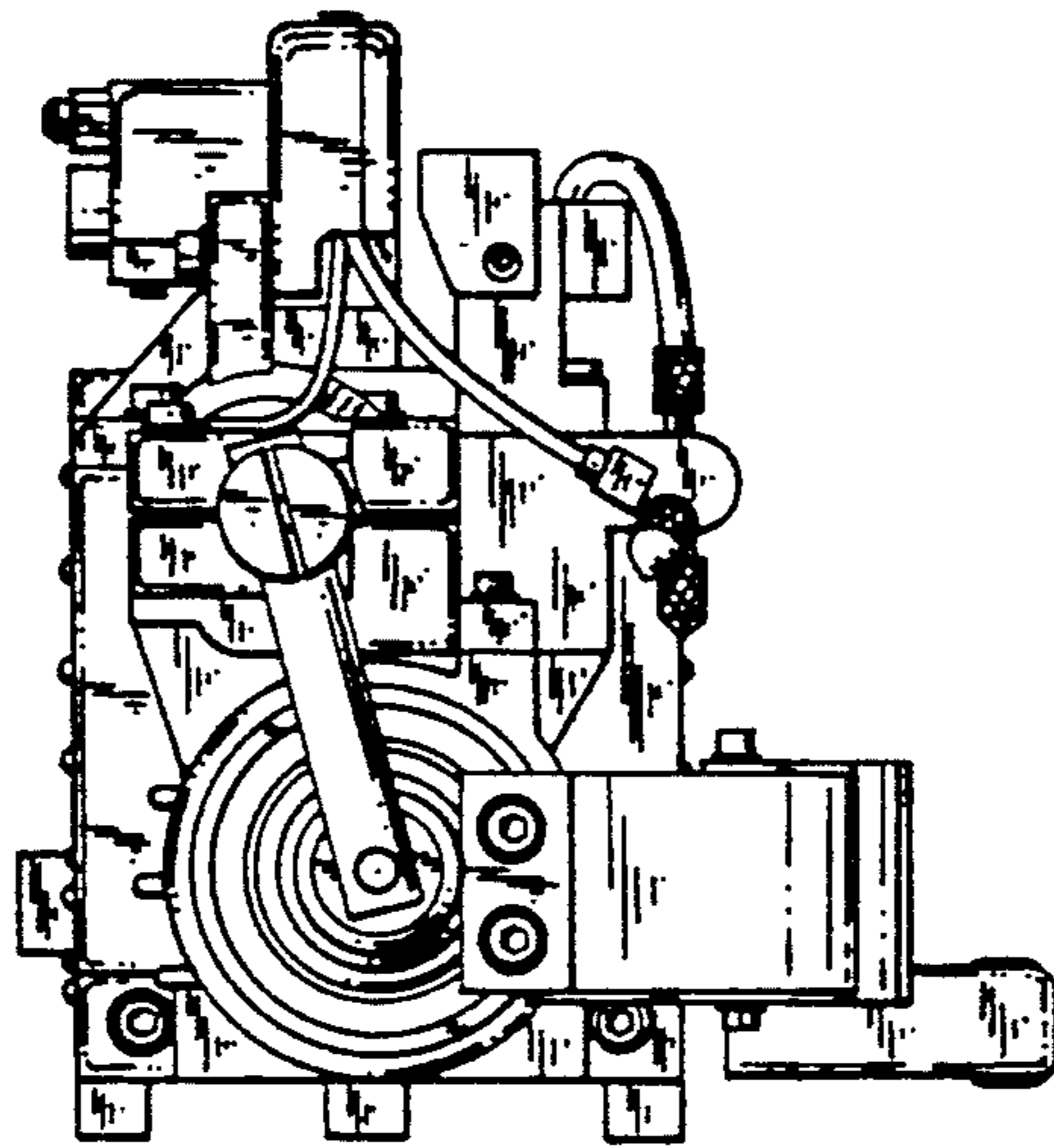


FIG. 8

