



US00D327684S

# United States Patent [19]

[11] Patent Number: **Des. 327,684**

Totsuka

[45] Date of Patent: **\*\* Jul. 7, 1992**

## [54] COMBINED RADIO, TUNER AND TAPE RECORDER

[75] Inventor: Yusuke Totsuka, Osaka, Japan

[73] Assignee: Sharp Corporation, Osaka, Japan

[\*\*] Term: 14 Years

[21] Appl. No.: 558,181

[22] Filed: Jul. 26, 1990

### [30] Foreign Application Priority Data

Jan. 29, 1990 [JP] Japan ..... 2-2507

[52] U.S. Cl. .... D14/168

[58] Field of Search ..... D14/154, 160-172,  
D14/188-198, 257, 259, 265, 299; 455/344, 347,  
350, 351; 312/7.1

### [56] References Cited

#### U.S. PATENT DOCUMENTS

- D. 310,525 9/1990 Camens ..... D14/168 X
- D. 310,837 9/1990 Takimoto ..... D14/168
- D. 317,308 6/1991 Aoki et al. .... D14/168

### OTHER PUBLICATIONS

Stereo Review, Jul. 1989, p. 44, Bottom right — Yamaha AST-C10 Unity system.

Synchronics Catalog, Spring 1988, p. 7, Bottom — Audio Video Center.

*Primary Examiner*—Theodore M. Shooman  
*Attorney, Agent, or Firm*—Flehr, Hohbach, Test, Albritton & Herbert

### [57] CLAIM

The ornamental design for a combined radio, tuner and tape recorder, as shown and described.

### DESCRIPTION

FIG. 1 is a perspective view of a combined radio, tuner and tape recorder showing the new design with the cassette holder open;

FIG. 2 is a front elevational view thereof;

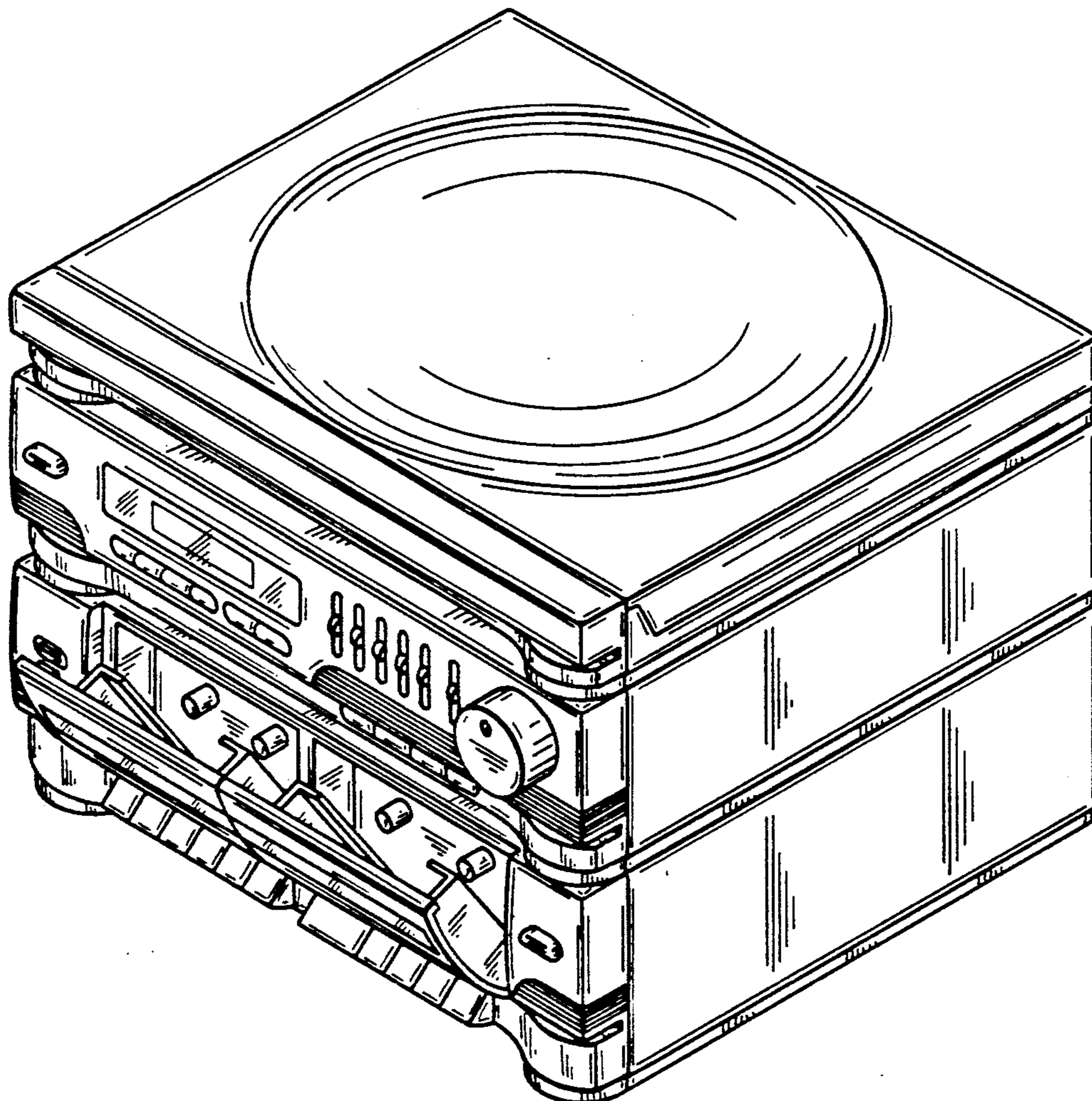
FIG. 3 is a rear elevational view thereof;

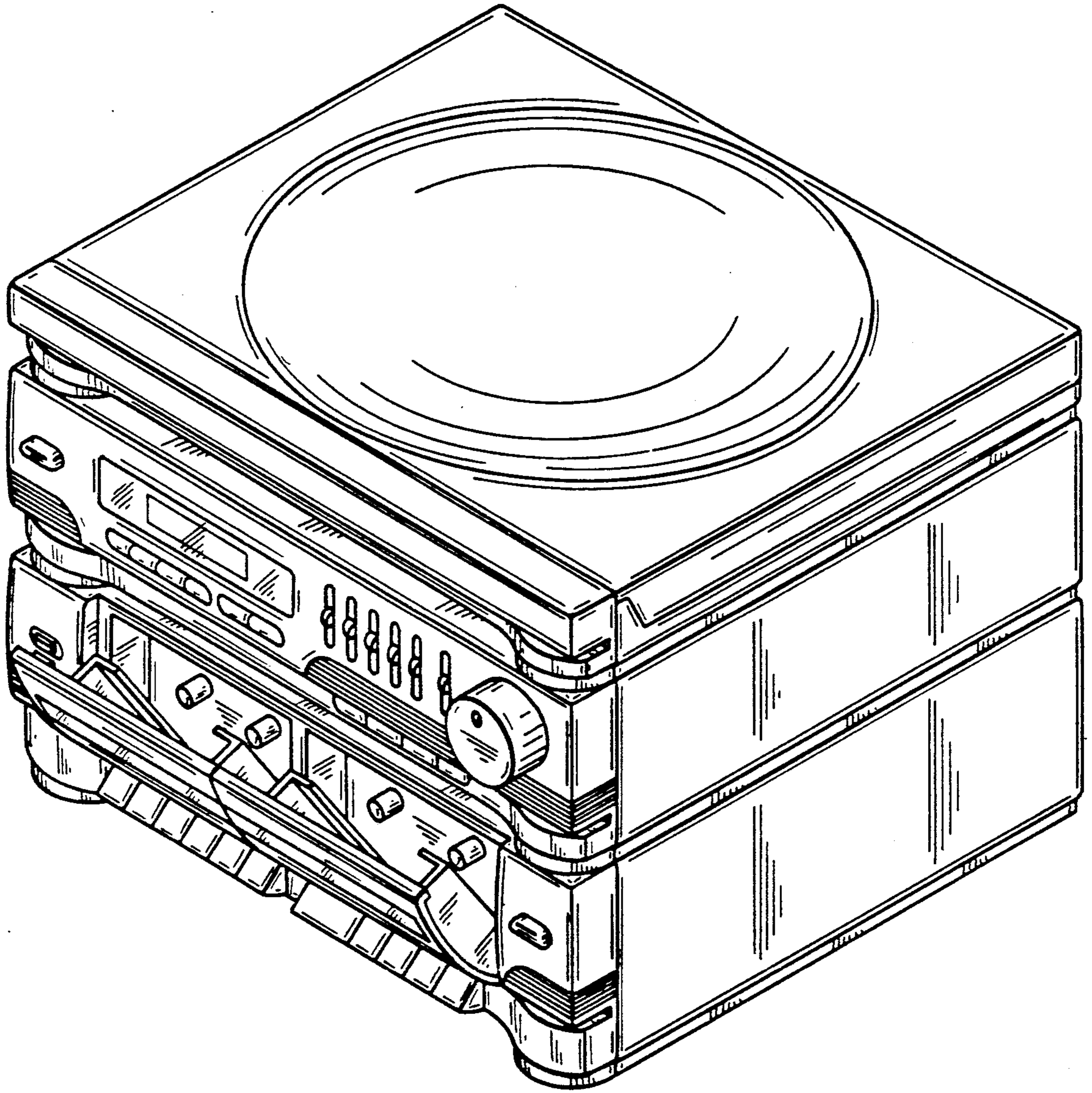
FIG. 4 is a top plan view thereof;

FIG. 5 is a bottom plan view thereof;

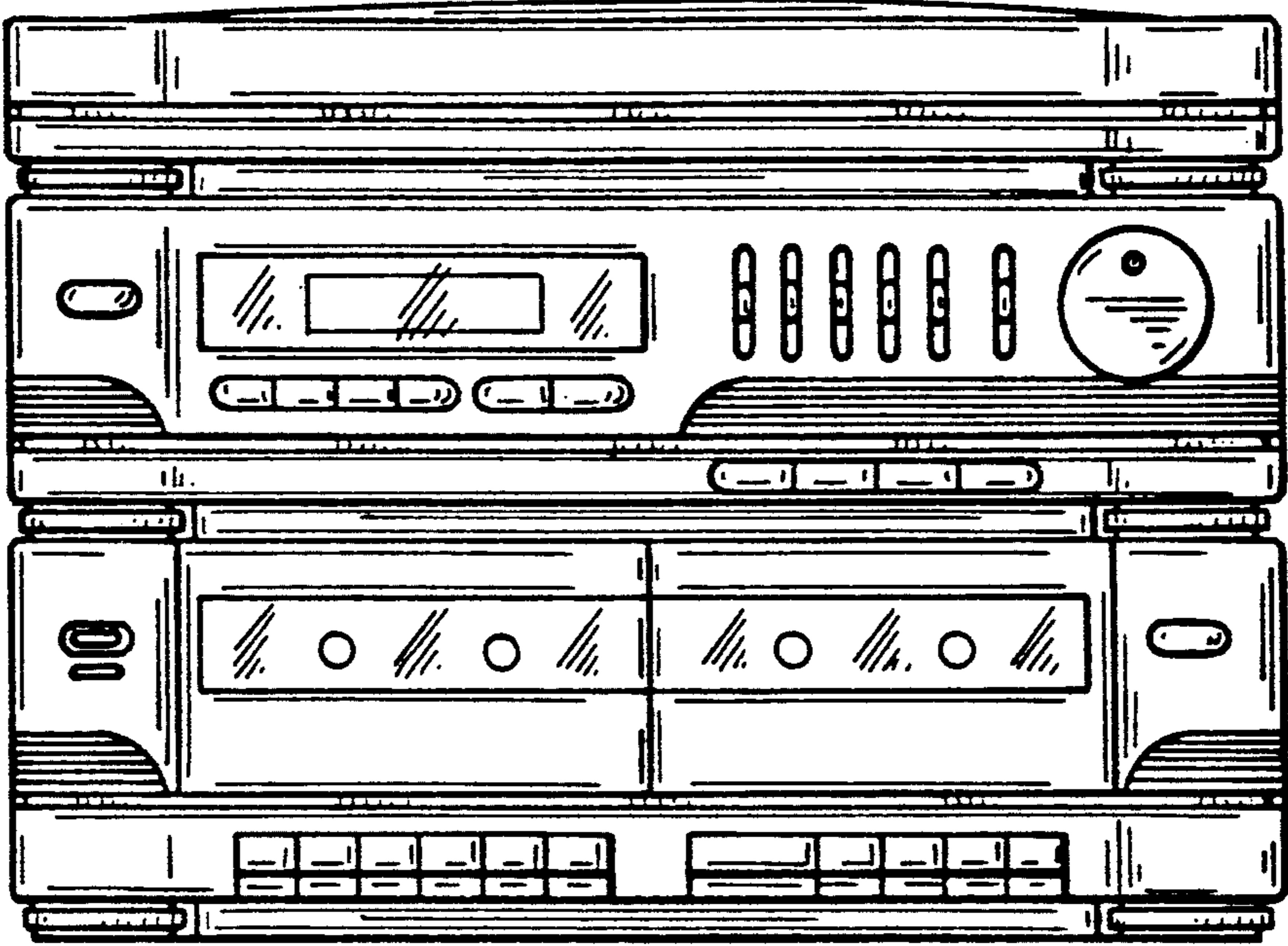
FIG. 6 is a right side elevational view thereof; and,

FIG. 7 is a left side elevational view thereof.

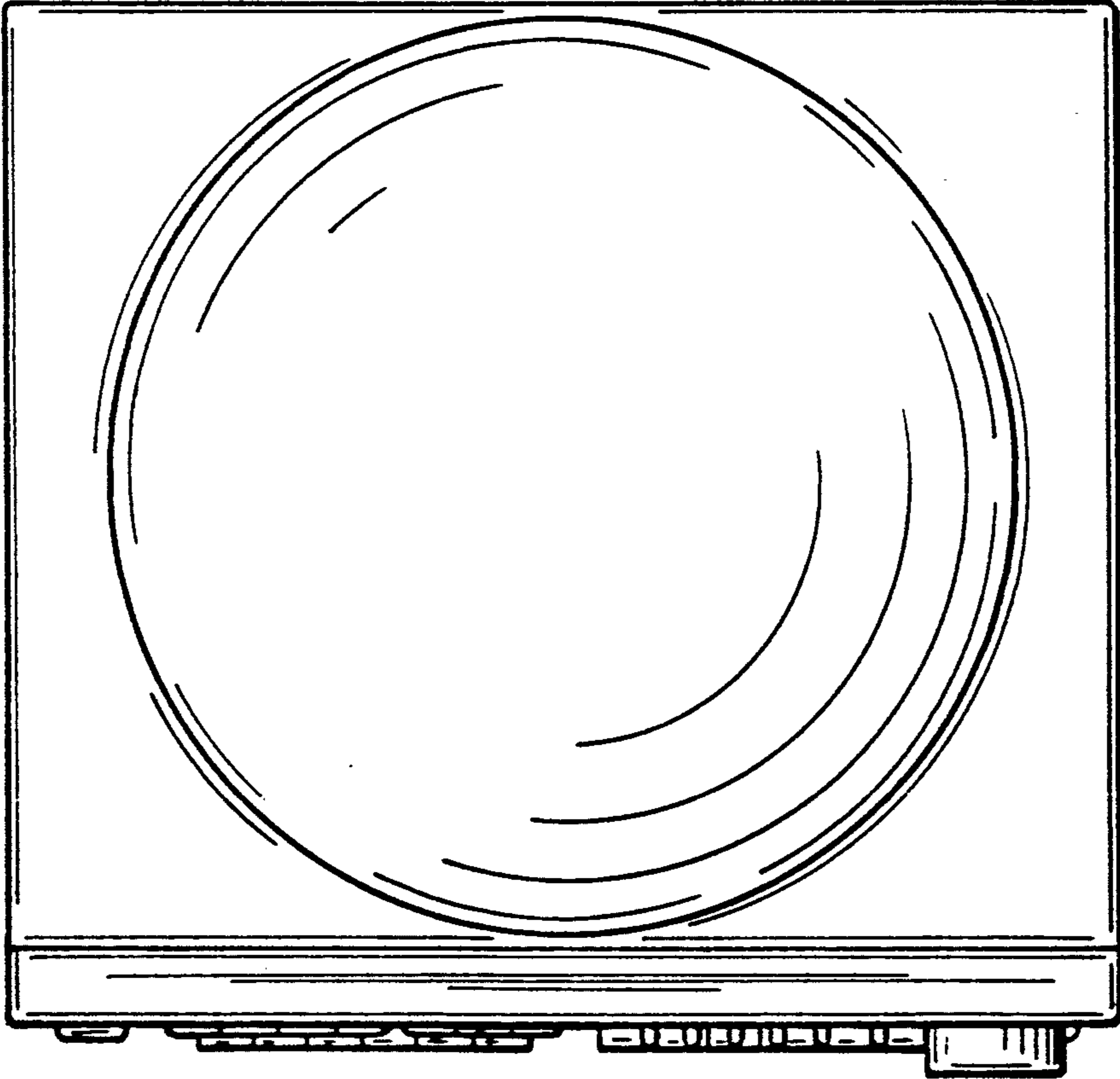




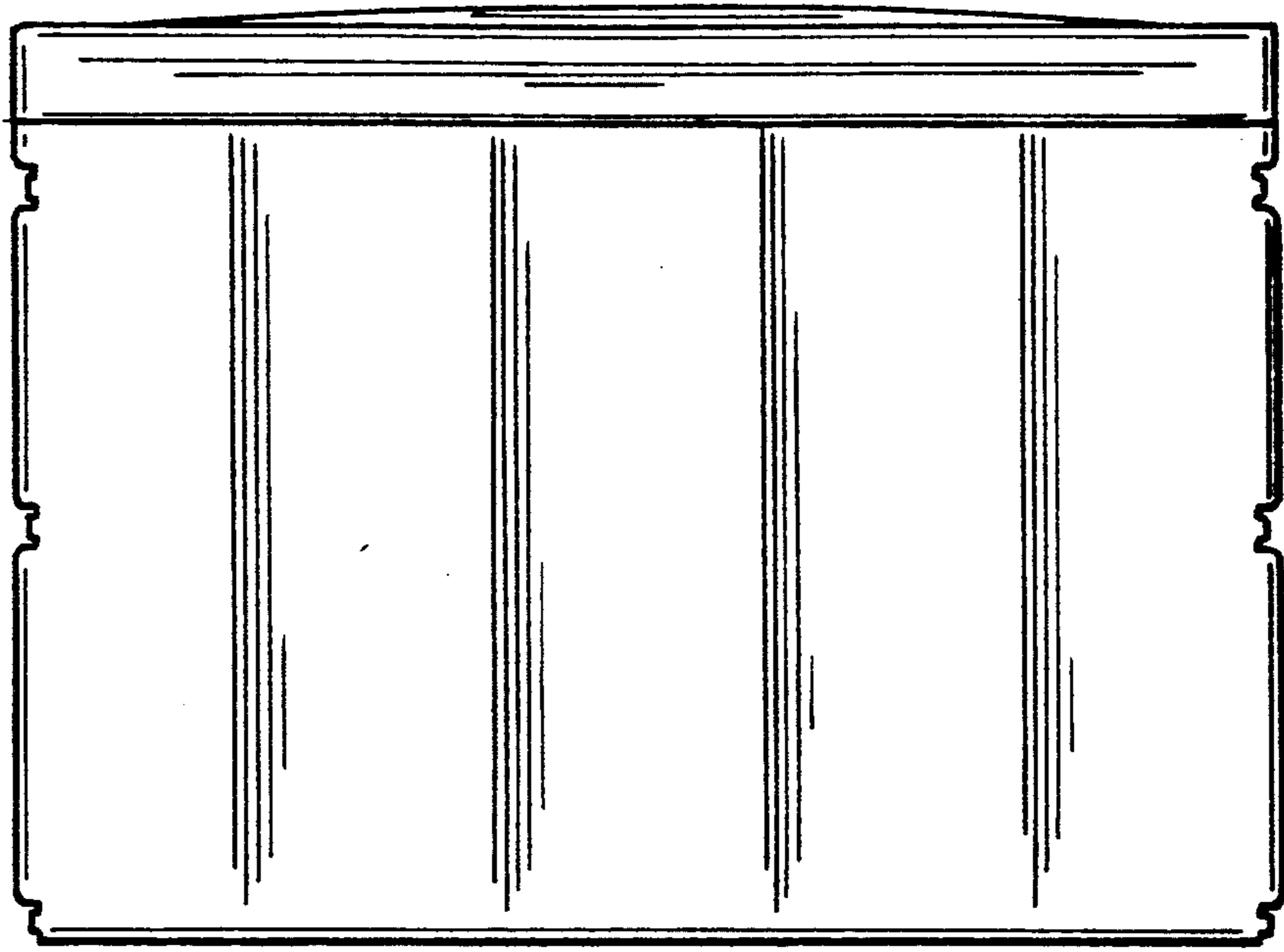
*FIG\_1*



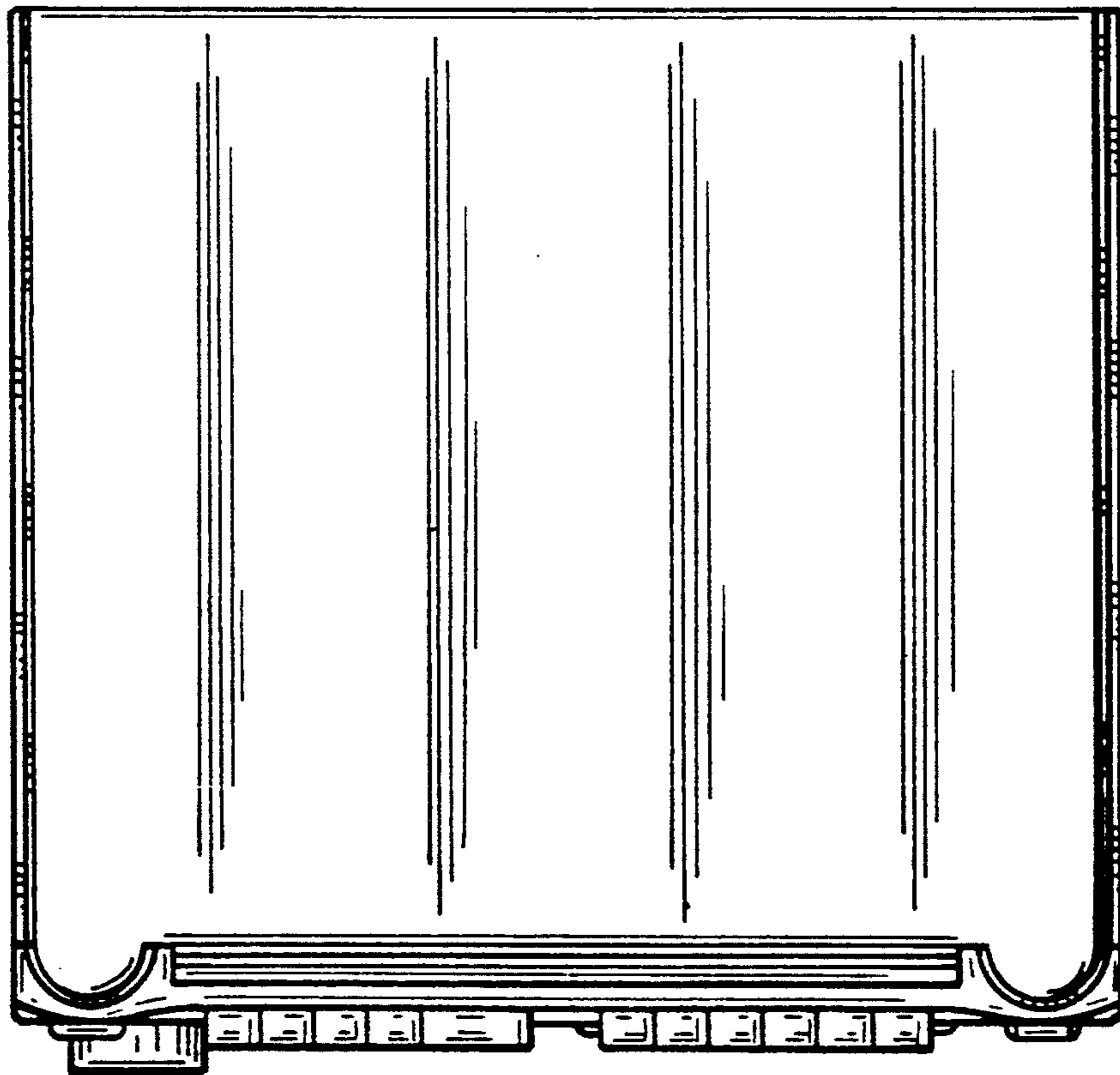
**FIG\_2**



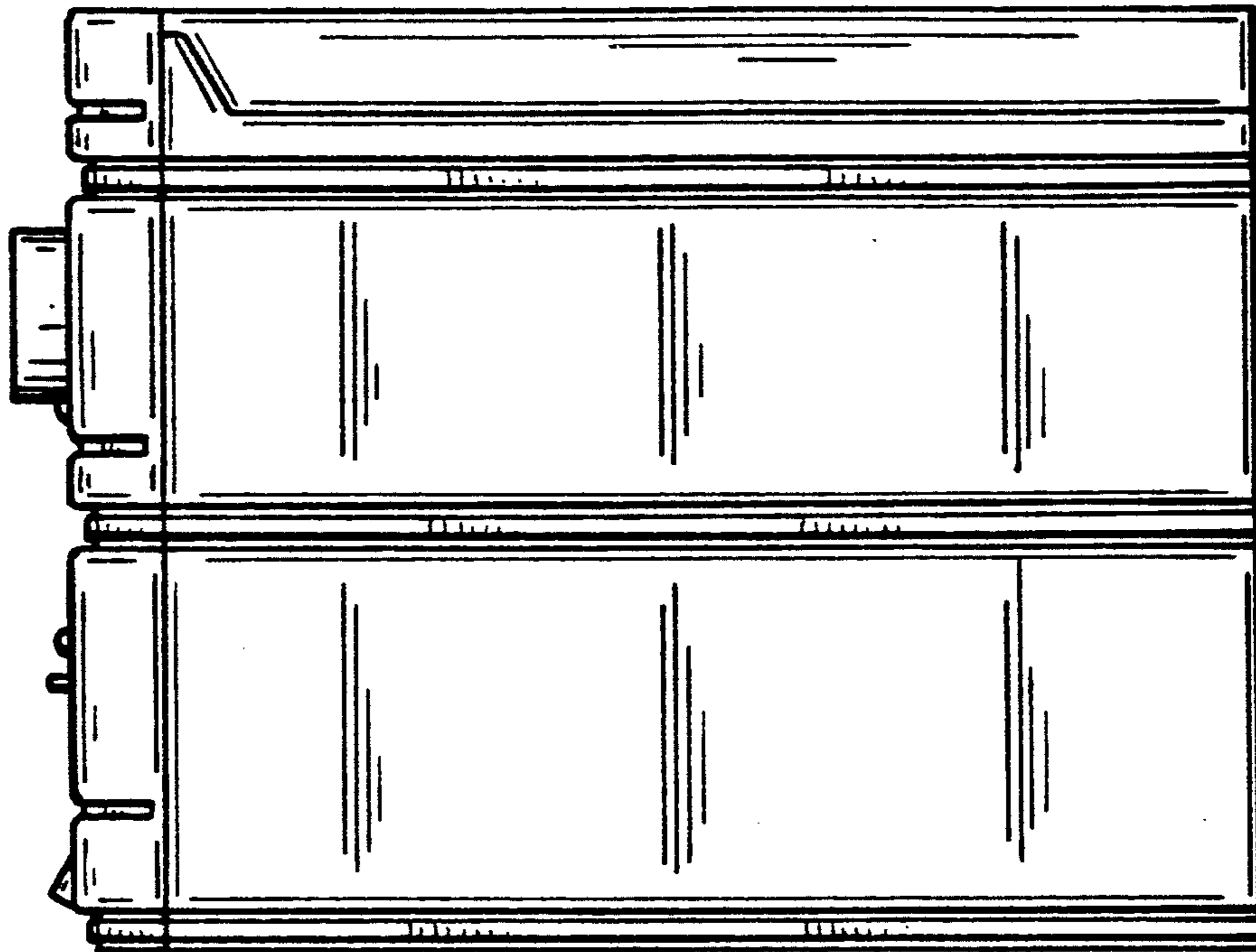
**FIG\_4**



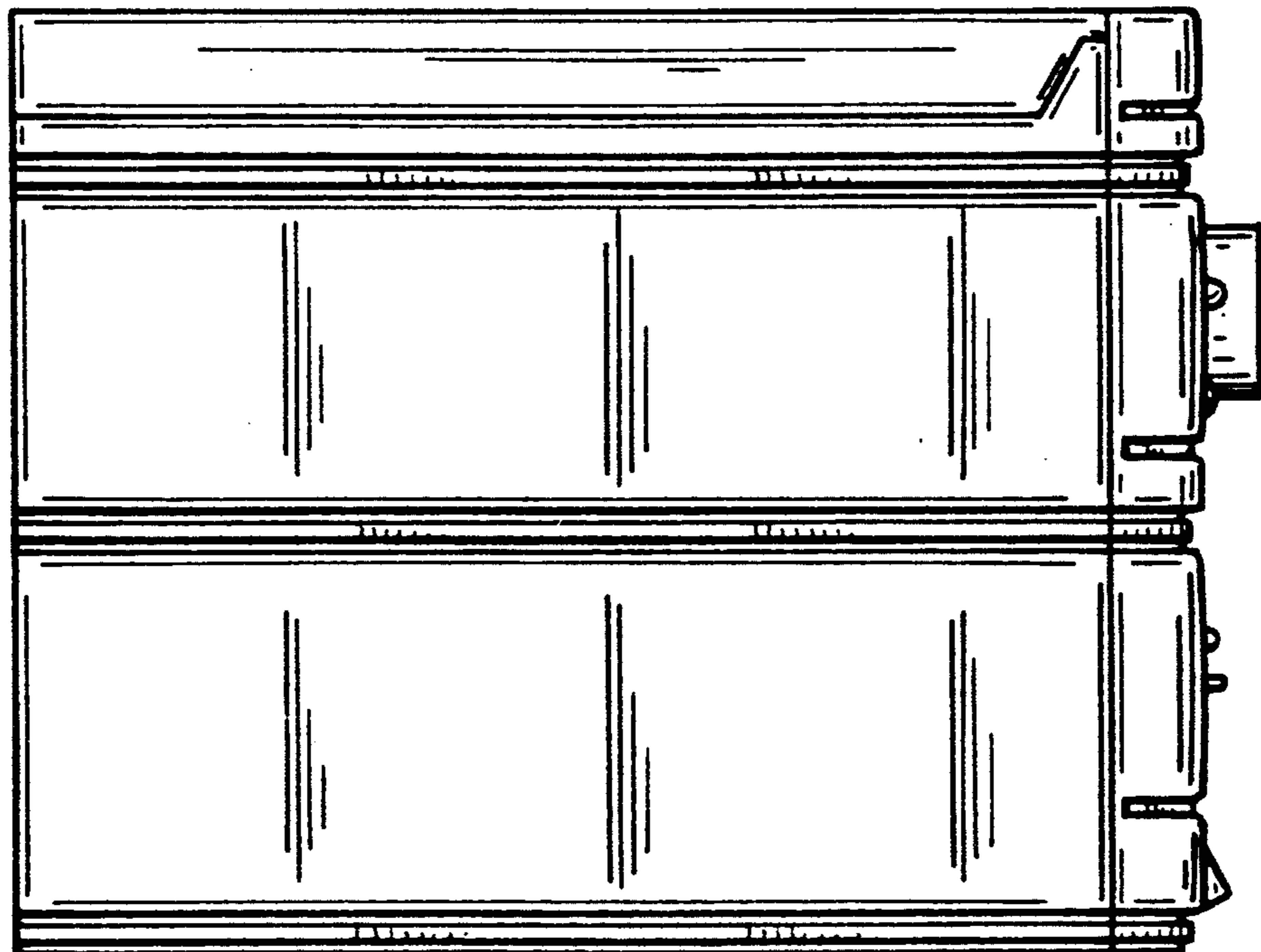
*FIG\_3*



*FIG\_5*



**FIG\_6**



**FIG\_7**