



US00D327680S

United States Patent [19]

[11] Patent Number: Des. 327,680

Shimazu

[45] Date of Patent: ** Jul. 7, 1992

[54] COMBINED DIGITAL AUDIO DISC PLAYER AND TAPE DECK

[75] Inventor: Masao Shimazu, Osaka, Japan

[73] Assignee: Sharp Corporation, Osaka, Japan

[**] Term: 14 Years

[21] Appl. No.: 468,822

[22] Filed: Jan. 22, 1990

[30] Foreign Application Priority Data

Jul. 27, 1989 [JP] Japan 1-28034

[52] U.S. Cl. D14/162; D14/168

[58] Field of Search D14/154, 160-172, D14/188-198, 257, 259, 265, 299; 455/344, 347, 350, 351; 312/7.1

[56] References Cited

U.S. PATENT DOCUMENTS

- D. 310,525 9/1990 Camens D14/168 X
- D. 310,837 9/1990 Takimoto D14/168
- D. 317,308 6/1991 Aoki et al. D14/168
- D. 321,195 10/1991 Hayashi D14/168

OTHER PUBLICATIONS

Stereo Review, Jul. 1989, p. 44, Bottom right—Yamaha AST-C10 Unity system.

Synchronics Catalog, Spring 1988, p. 7, Bottom—Audio Video Center.

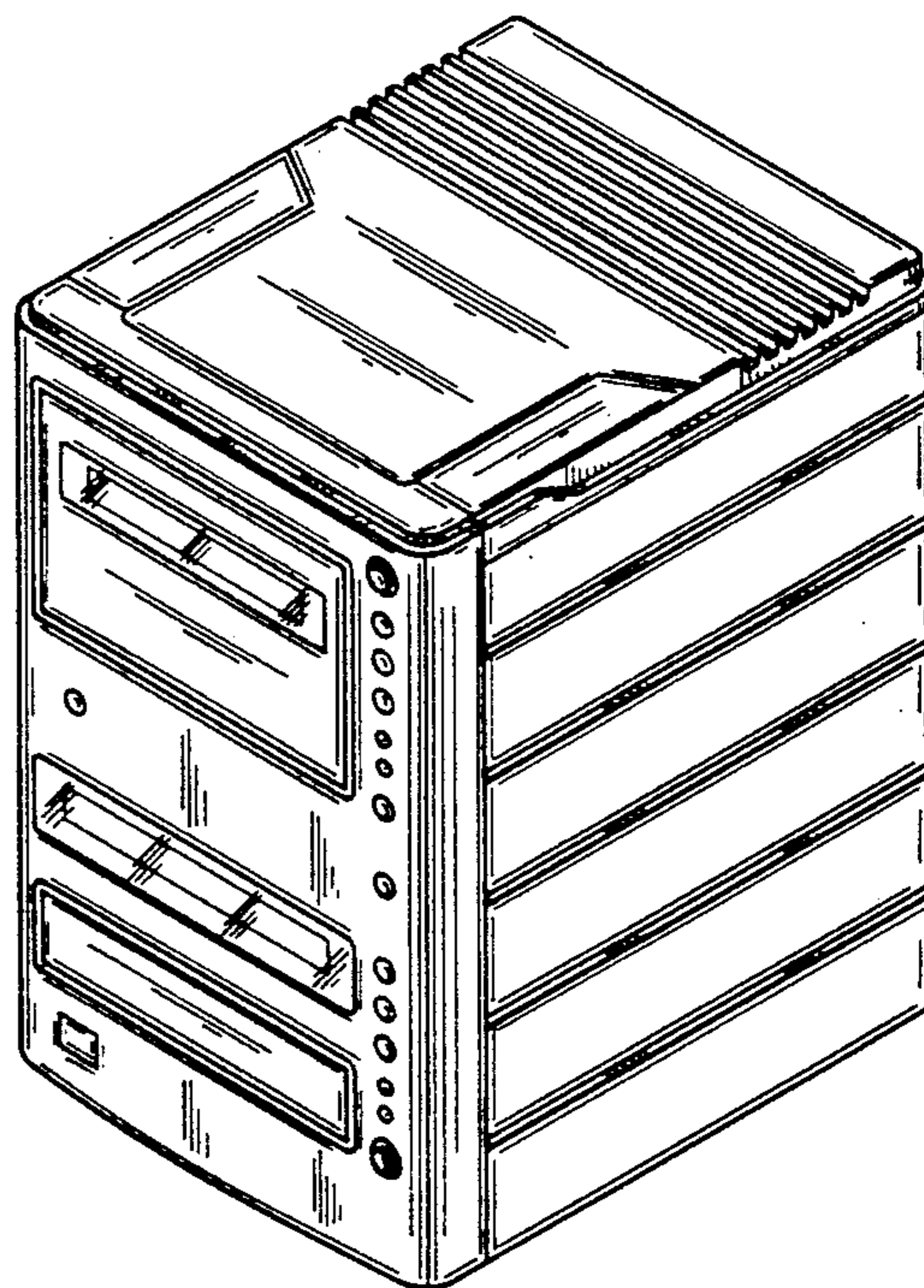
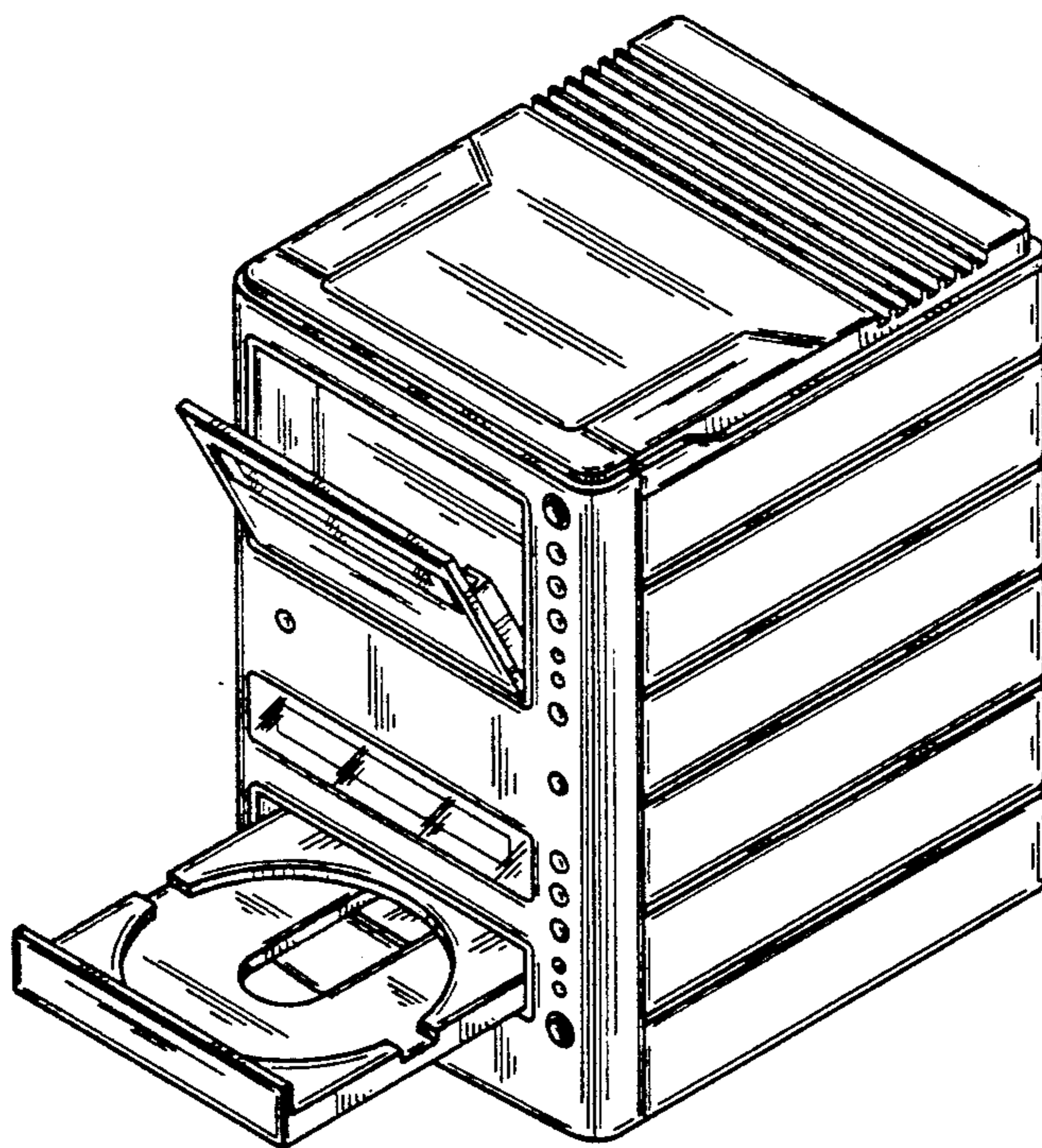
Primary Examiner—Theodore M. Shooman
Attorney, Agent, or Firm—Flehr, Hohbach, Test, Albritton & Herbert

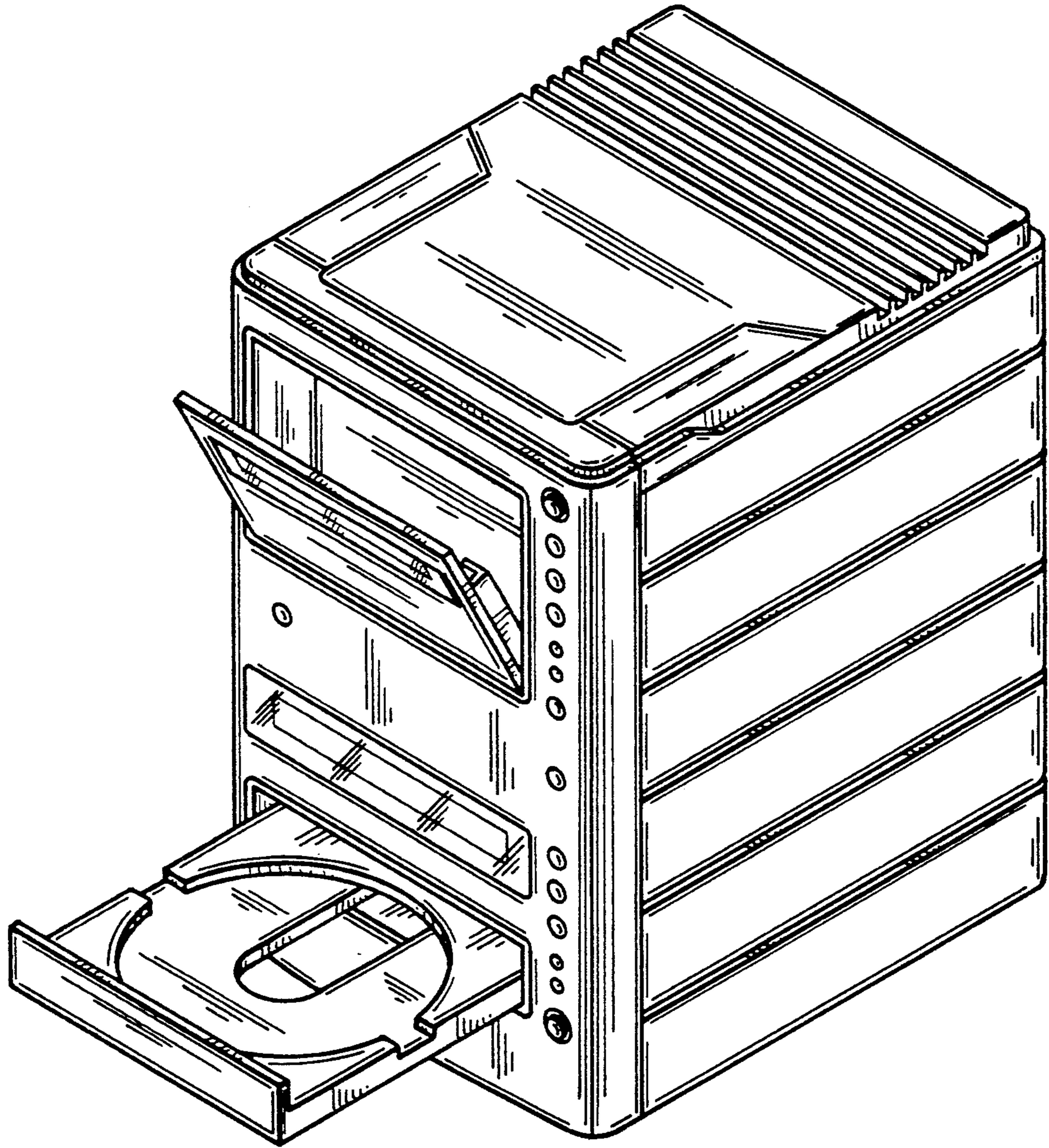
[57] CLAIM

The ornamental design for a combined digital audio disc player and tape deck, as shown and described.

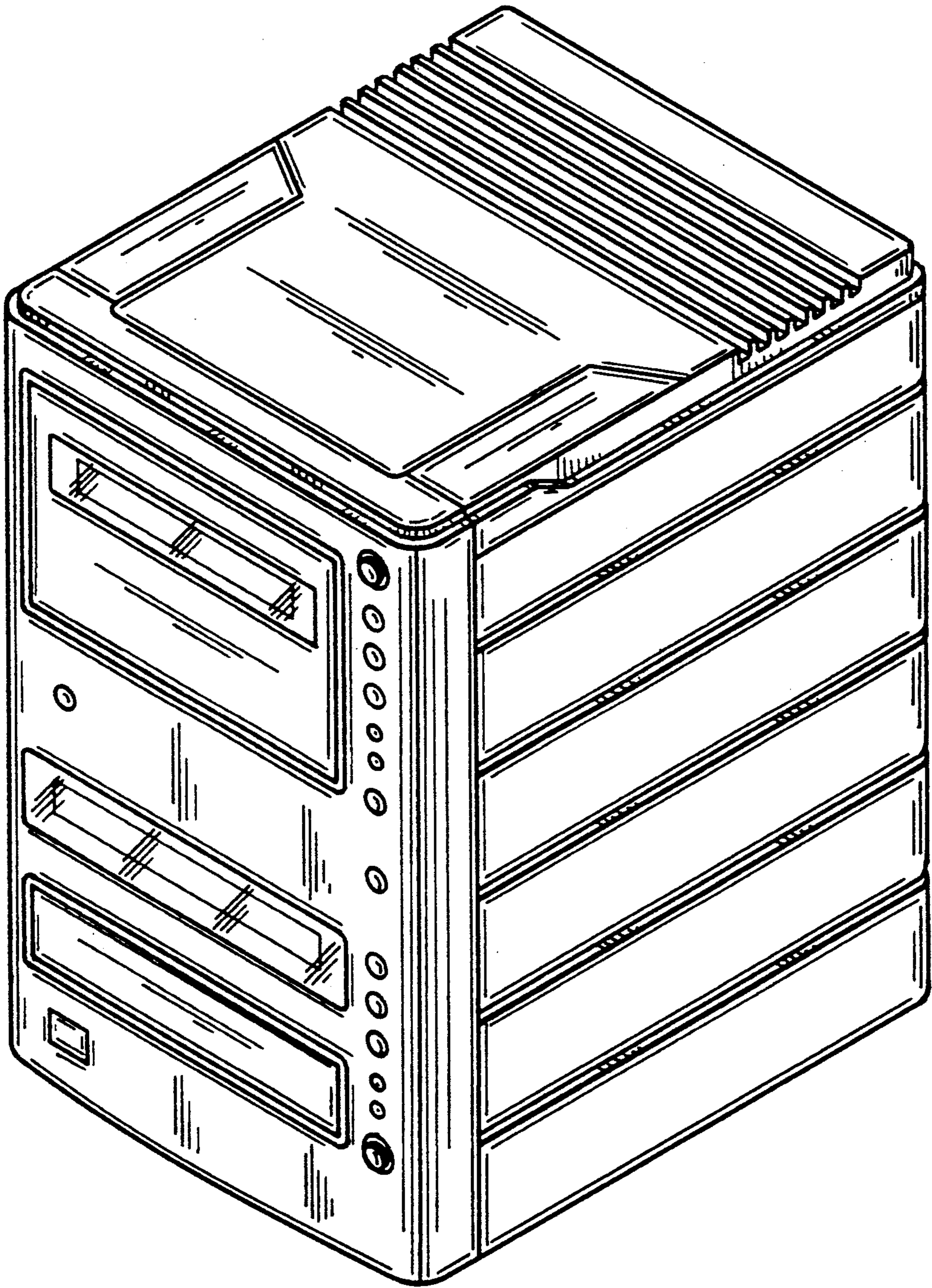
DESCRIPTION

FIG. 1 is a perspective view of a combined digital audio disc player and tape deck showing my new design with the cassette tape holder and compact disc tray open; FIG. 2 is a perspective view thereof with the cassette tape holder and compact disc tray closed; FIG. 3 is a front elevational view thereof; FIG. 4 is a rear elevational view thereof; FIG. 5 is a top plan view thereof; FIG. 6 is a bottom plan view thereof; FIG. 7 is a right side elevational view thereof; and, FIG. 8 is a left side elevational view thereof.

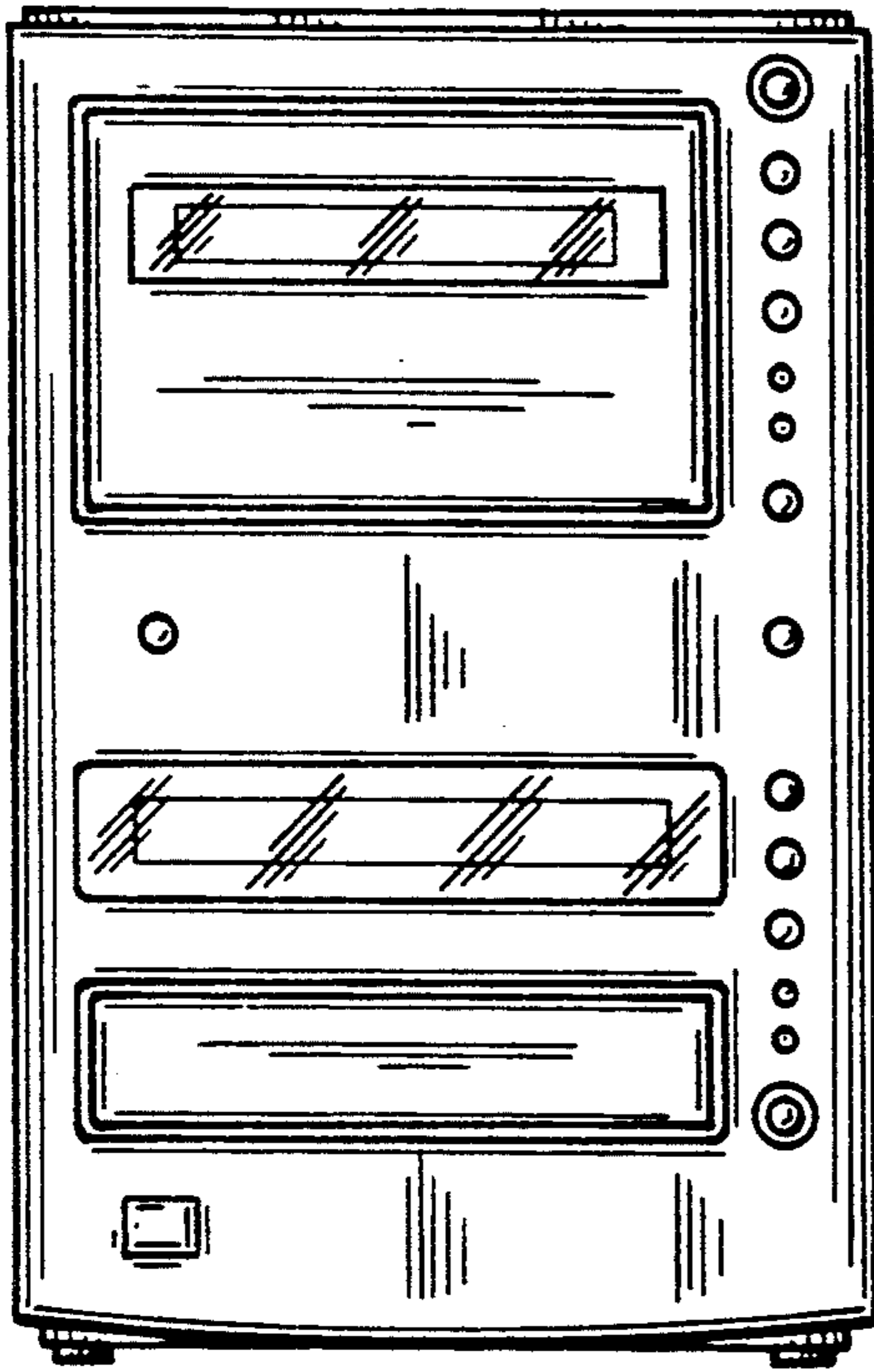




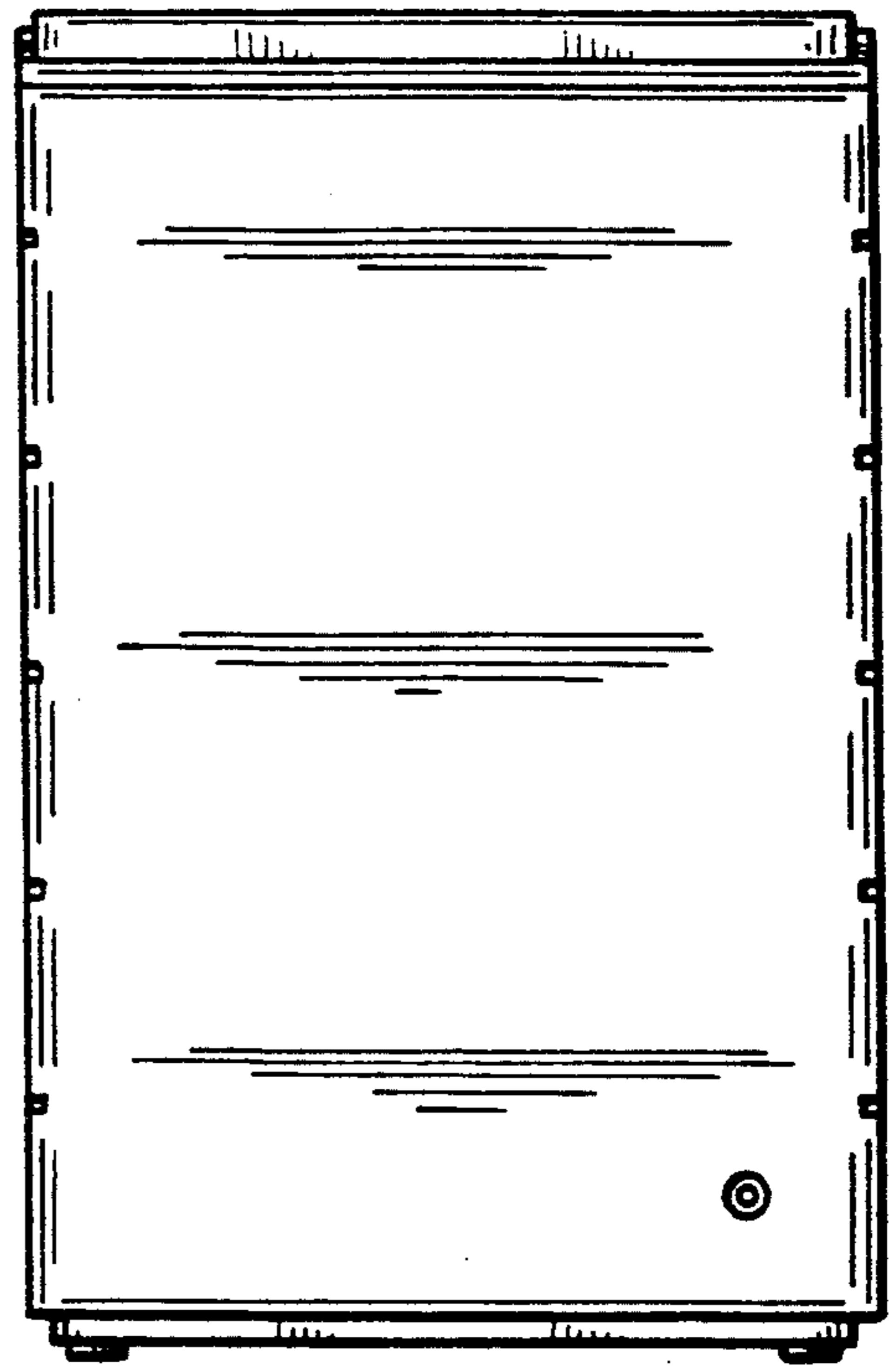
FIG_1



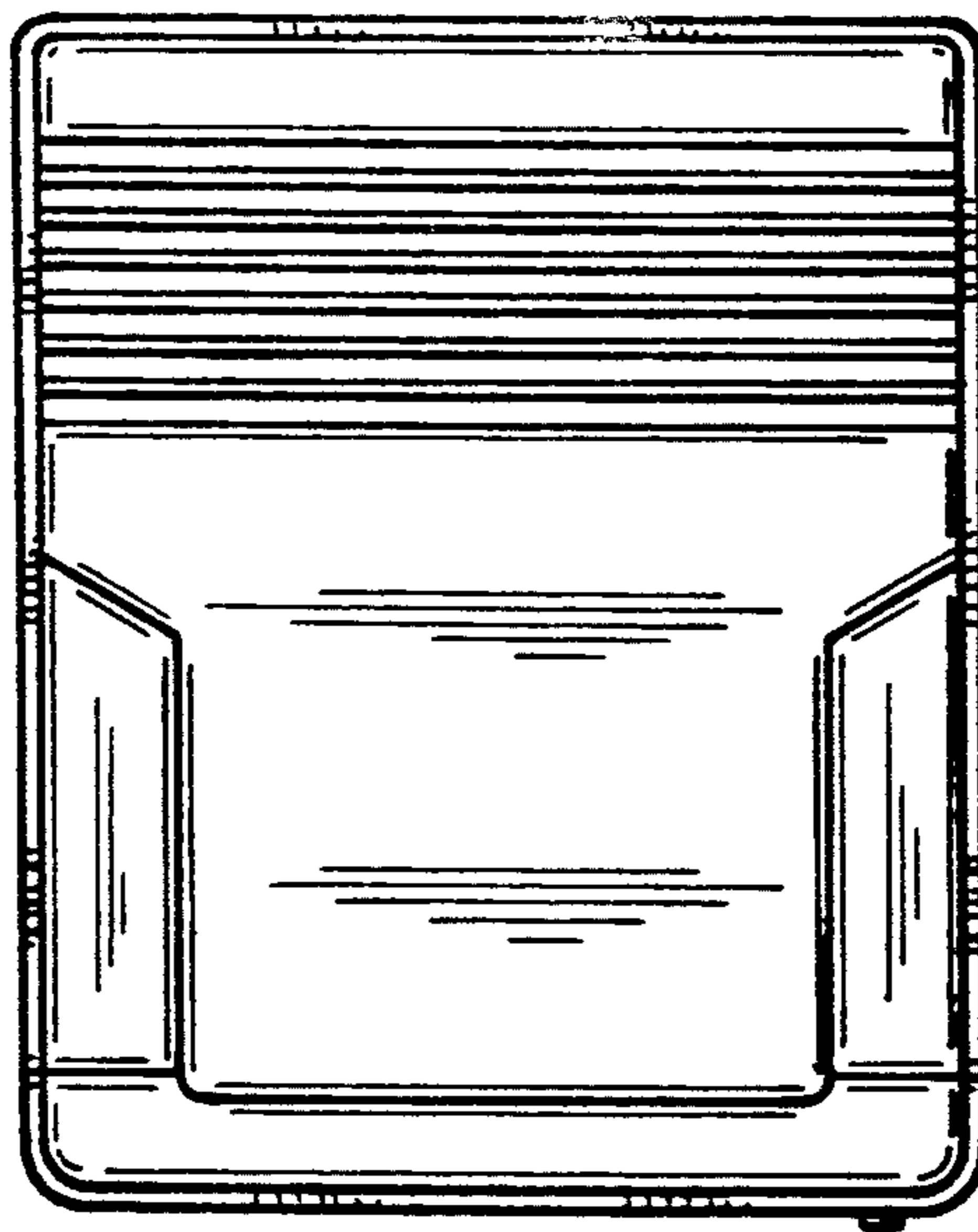
FIG_2



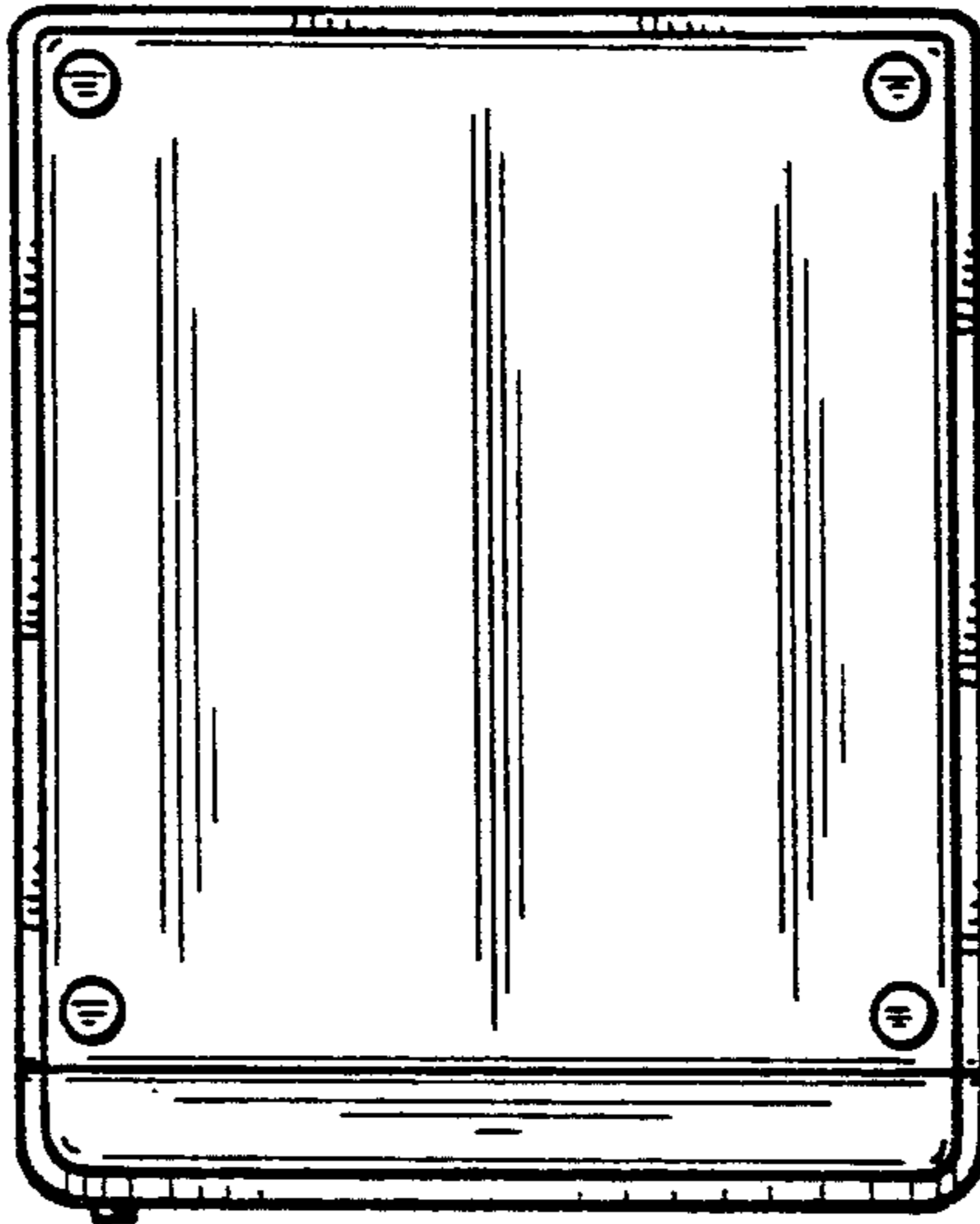
FIG_3



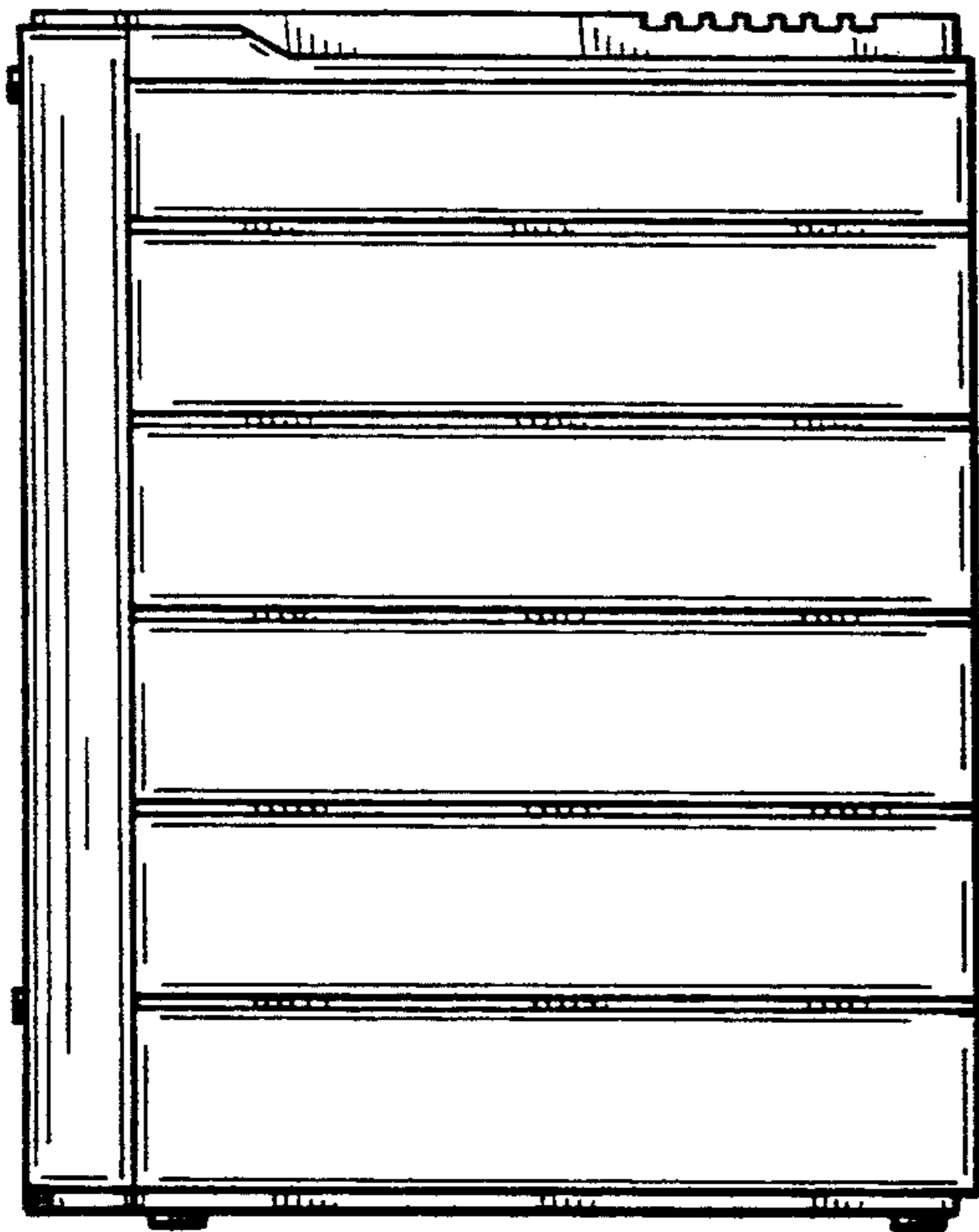
FIG_4



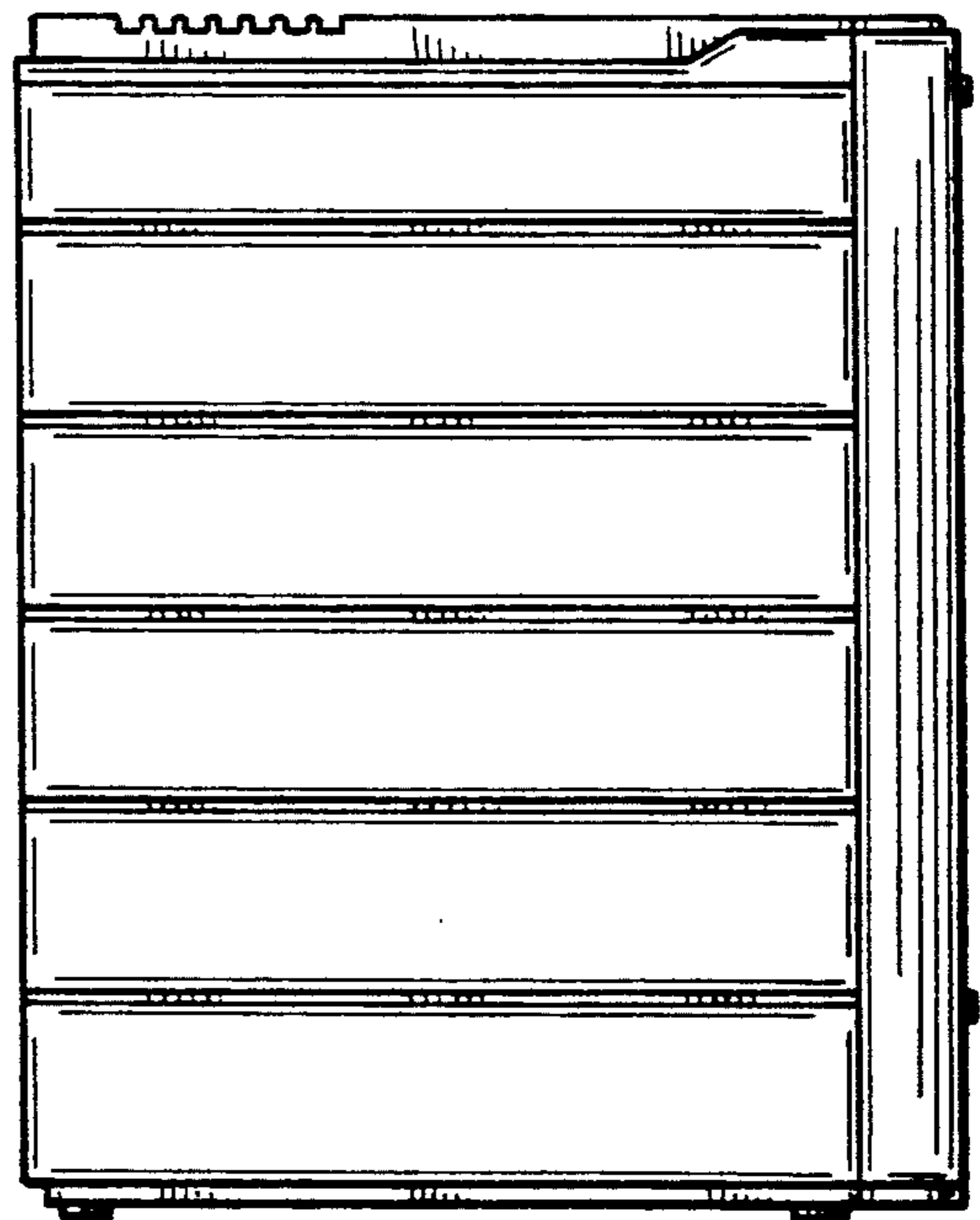
FIG_5



FIG_6



FIG_7



FIG_8