



US00D327679S

United States Patent [19]

[11] Patent Number: **Des. 327,679**

Nakamachi et al.

[45] Date of Patent: **** Jul. 7, 1992**

[54] **MOBILE TELEPHONE SET**

[75] Inventors: **Tsuyoshi Nakamachi, Kanagawa; Yoshihiro Hattori; Michio Yamasaki, both of Hyogo, all of Japan**

[73] Assignee: **Mitsubishi Denki Kabushiki Kaisha, Japan**

[**] Term: **14 Years**

[21] Appl. No.: **611,873**

[22] Filed: **Nov. 9, 1990**

[30] **Foreign Application Priority Data**

May 9, 1990 [JP] Japan 2-15663

[52] U.S. Cl. **D14/138; D14/148; D14/151; D14/142**

[58] Field of Search **D14/138, 248, 147, 151, D14/141, 142; 379/58, 440, 434, 433**

[56] **References Cited**

U.S. PATENT DOCUMENTS

- D. 219,658 1/1971 Federico D14/141
- D. 271,490 11/1983 Fukushima D14/138
- D. 271,491 11/1983 Taylor D14/138
- D. 280,895 10/1985 Kao D14/148 X
- D. 283,707 5/1986 Goodin et al. D14/138
- D. 284,471 7/1986 Felix et al. D14/248
- D. 285,555 9/1986 Fukutani D14/138
- D. 286,283 10/1986 Nichols D14/138
- D. 287,586 1/1987 Tanaka et al. D14/138
- D. 297,009 8/1988 Grambush et al. D14/138

- D. 298,317 11/1988 Watanaba D14/138
- D. 299,136 12/1988 Taylor D14/138 X
- D. 303,259 9/1989 Deighan D14/138
- D. 304,939 12/1989 Sutoh D14/147 X
- D. 312,635 12/1990 Culbertson D14/138
- D. 315,154 3/1991 Jizuka D14/151 X
- D. 315,728 3/1991 Nettermann D14/138
- D. 315,730 3/1991 Sharbaugh D14/141
- 4,881,258 11/1989 Kaiwa et al. D14/138 X
- 5,020,090 5/1991 Morris 379/58

OTHER PUBLICATIONS

Panasonic TP 500 Catalogue (date unknown).
Uniden CP 2000 Catalogue (date unknown).
Shintom CT 8800 (date unknown).

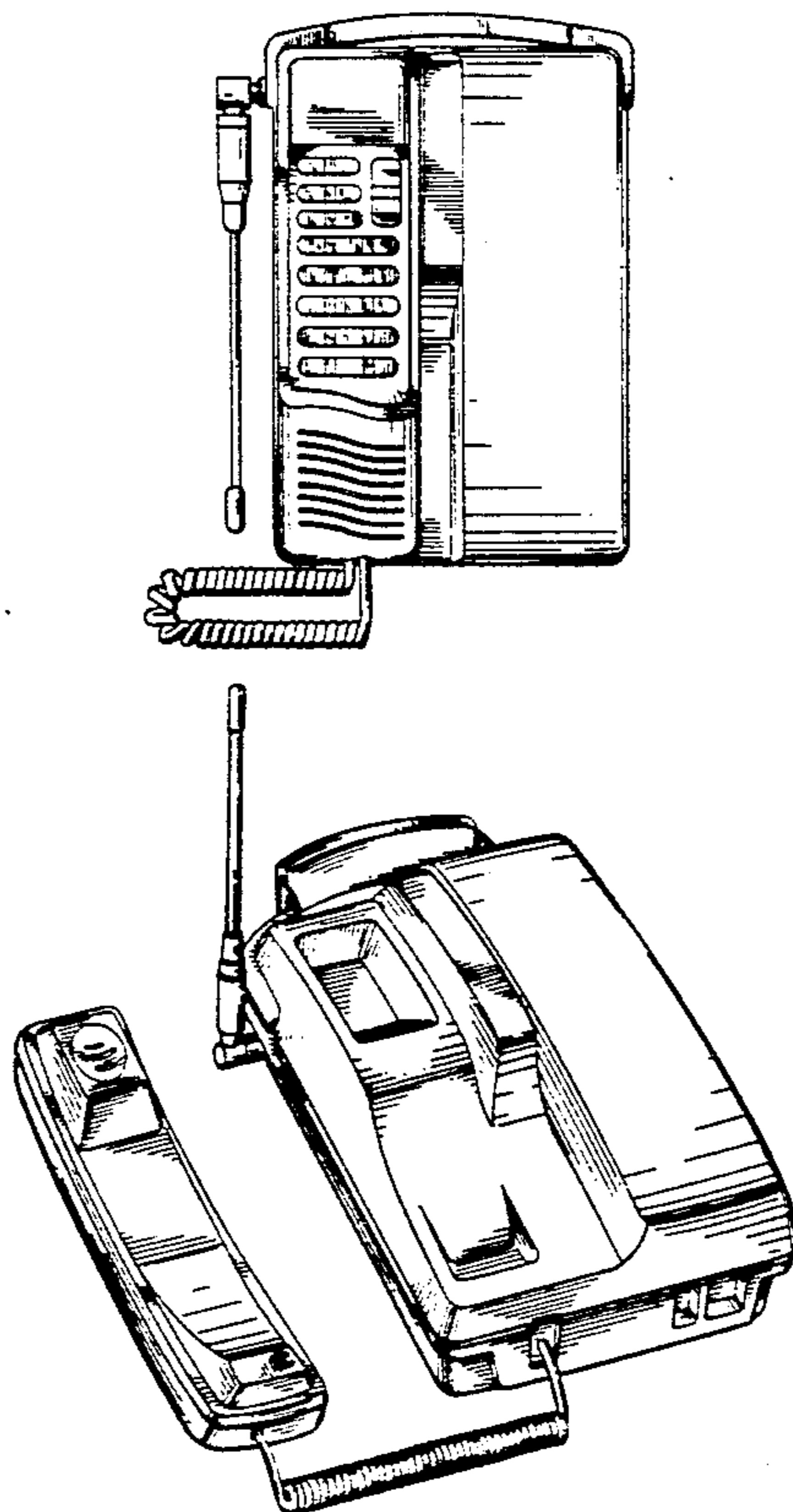
Primary Examiner—Horace B. Fay, Jr.
Attorney, Agent, or Firm—Rothwell, Figg, Ernst & Kurz

[57] **CLAIM**

The ornamental design for a mobile telephone set, as shown and described.

DESCRIPTION

FIGS. 1 and 2 are respectively front and rear elevational views of a mobile telephone set showing our new design; FIGS. 3 and 4 are respectively left and right side elevational views thereof; FIGS. 5 and 6 are respectively top and bottom plan views thereof; and, FIG. 7 is a right side, bottom and rear end perspective view of the handset, and a left side, top and rear end perspective view of the base unit of the set.



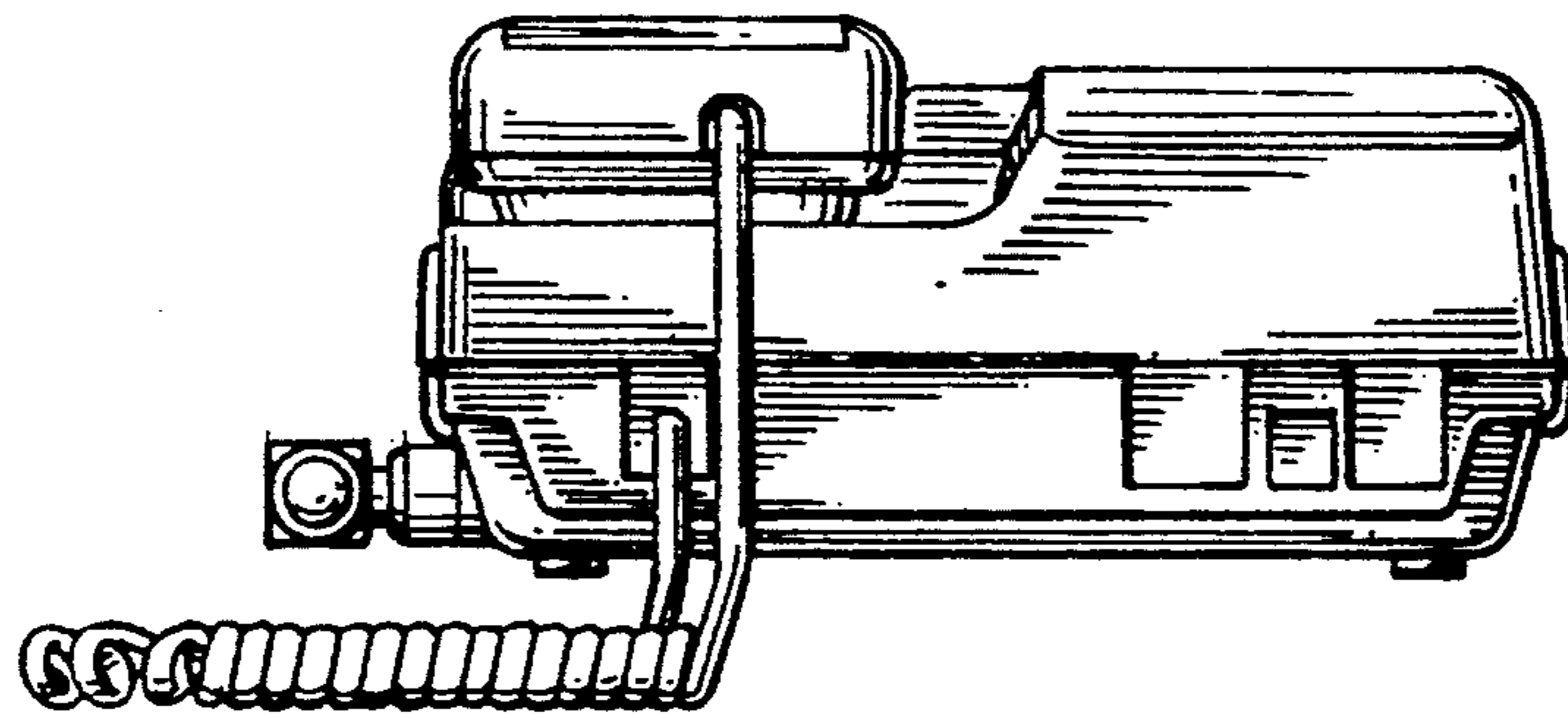


FIG. 1

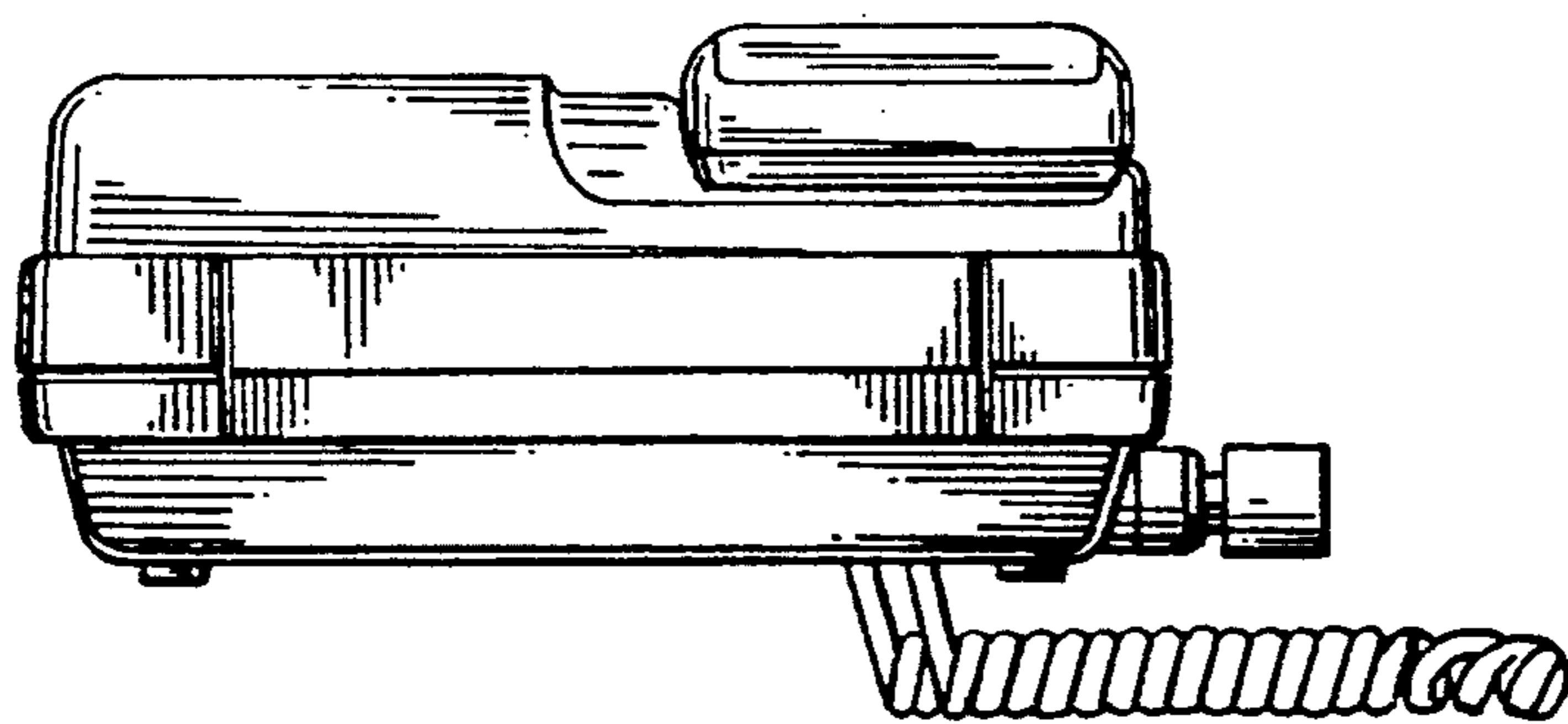


FIG. 2

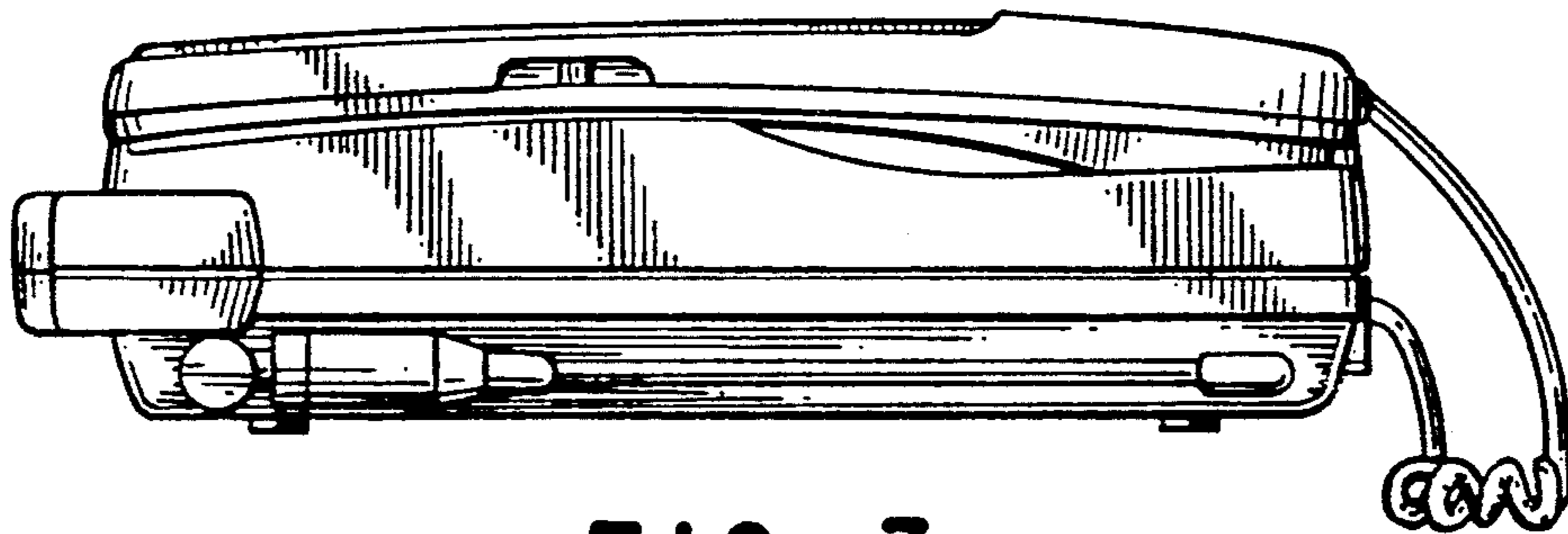


FIG. 3

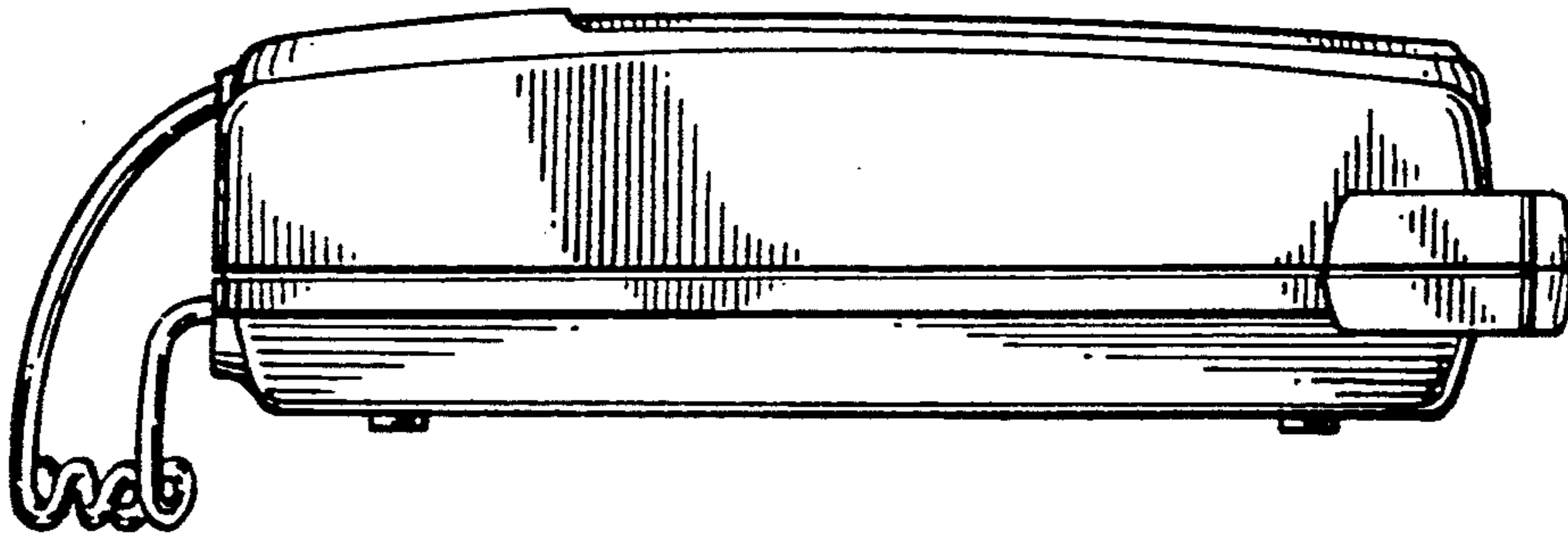


FIG. 4

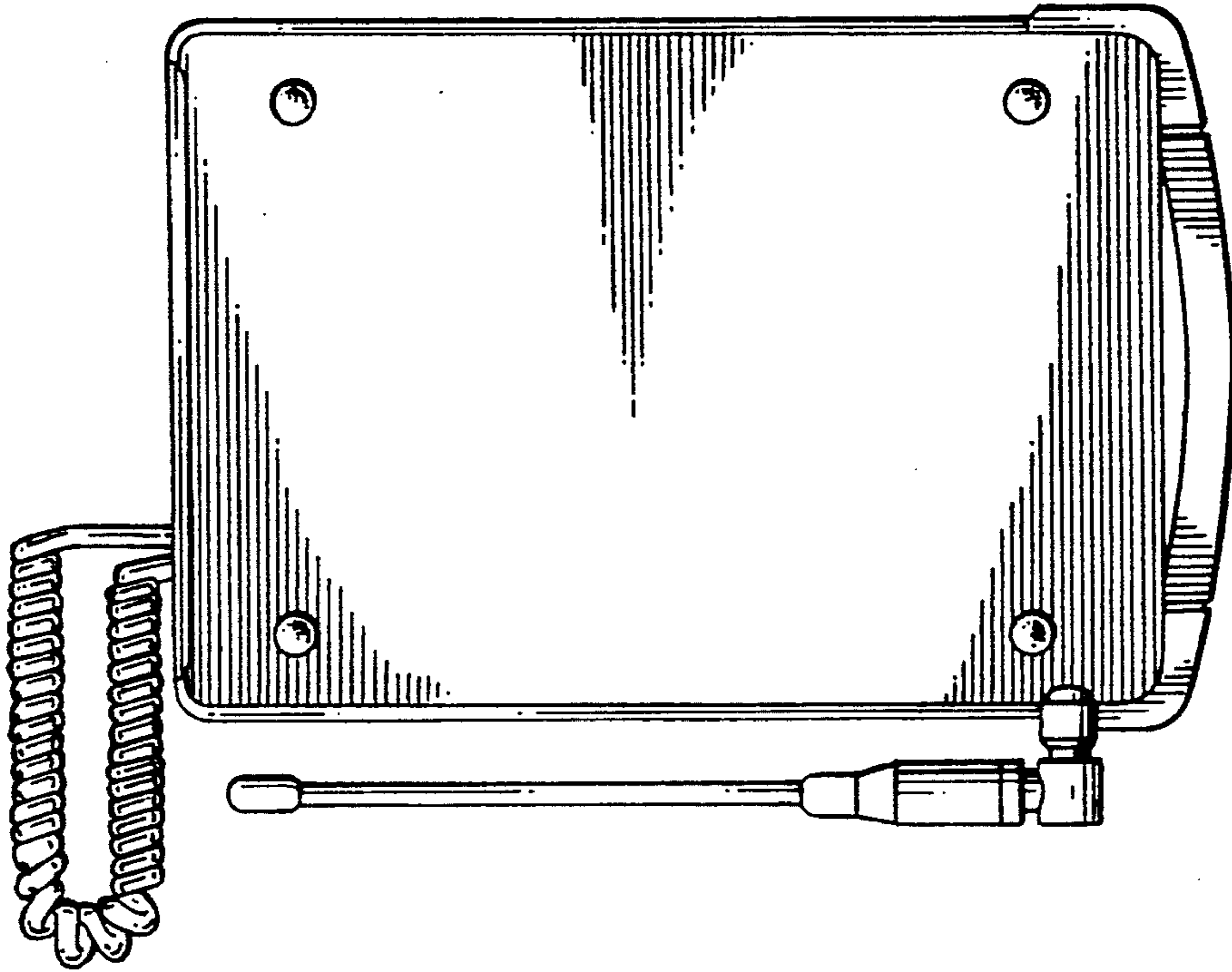


FIG. 6

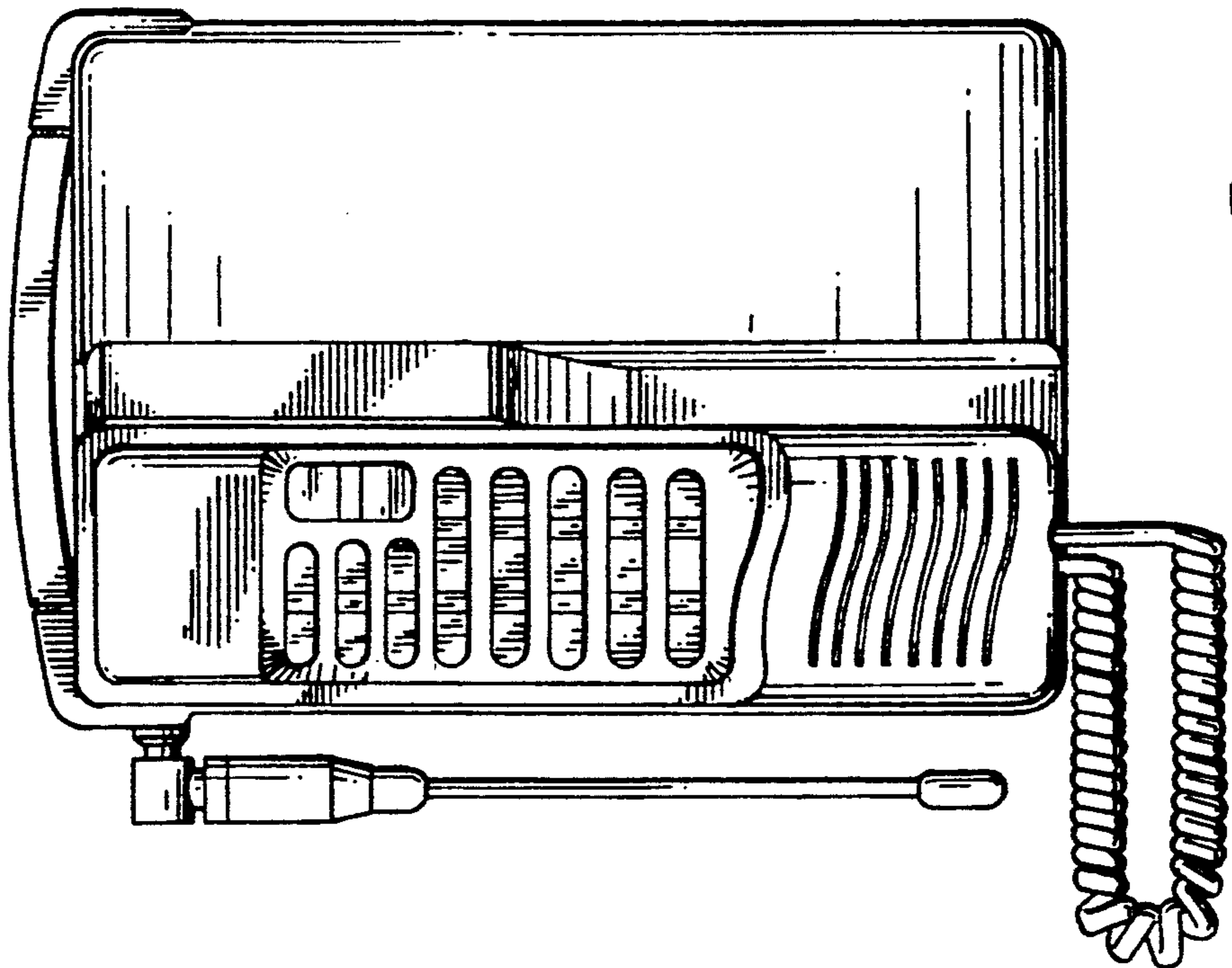


FIG. 5

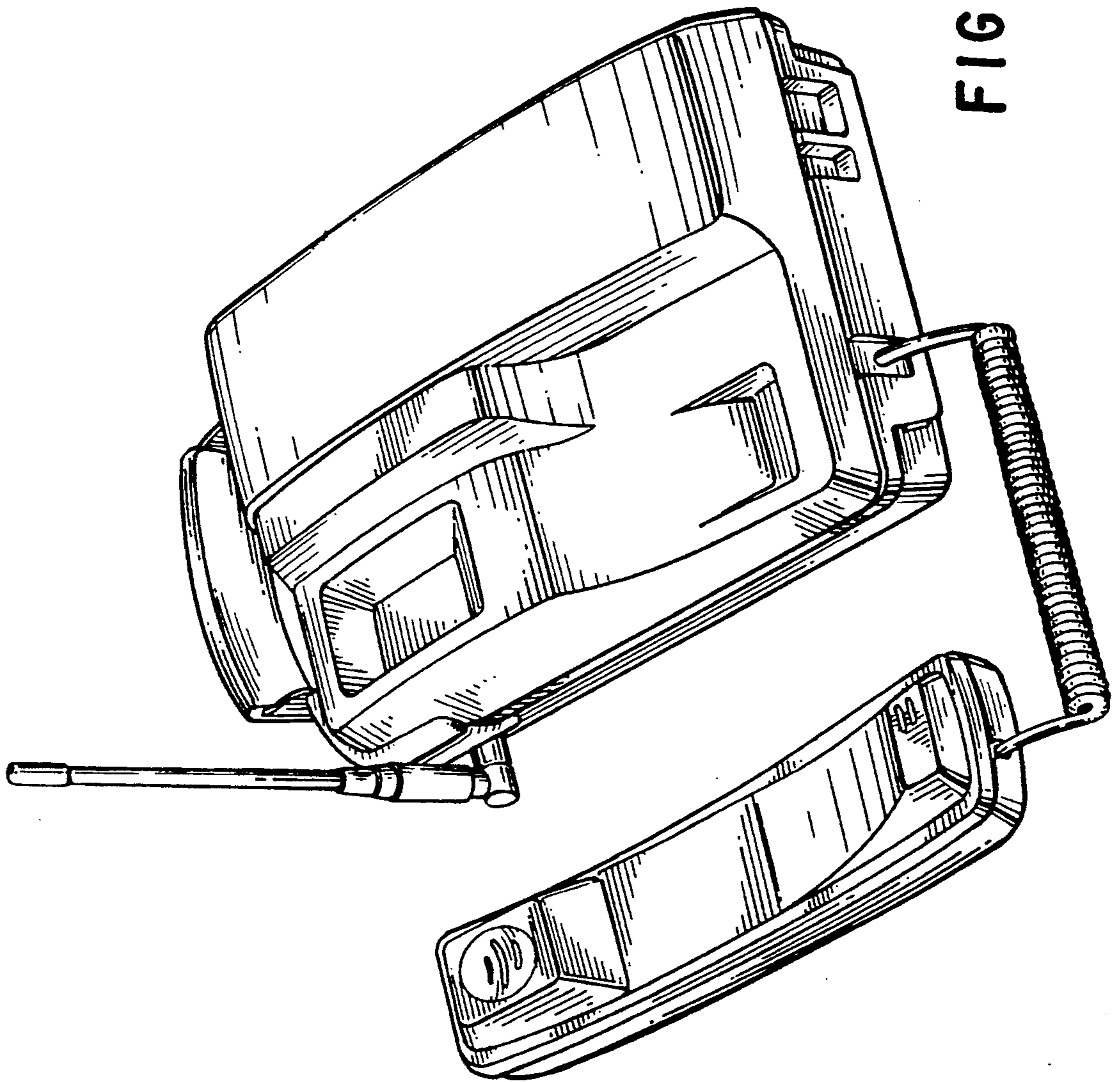


FIG. 7