



US00D327678S

United States Patent [19]

[11] Patent Number: Des. 327,678

Dennis

[45] Date of Patent: ** Jul. 7, 1992

[54] DUAL VIDEO CASSETTE RECORDER

FOREIGN PATENT DOCUMENTS

[76] Inventor: Eric S. Dennis, 2919 E. 7375 South, Salt Lake City, Utah 84121

52-16582 4/1977 Japan .
52-26745 6/1977 Japan .

[**] Term: 14 Years

OTHER PUBLICATIONS

Stereo Review, May 1986, p. 53, McIntosh compact disc player.

[21] Appl. No.: 624,680

Primary Examiner—Theodore M. Shooman
Attorney, Agent, or Firm—Terry M. Gernstein

[22] Filed: Dec. 10, 1990

[52] U.S. Cl. D14/135

[57] CLAIM

[58] Field of Search D14/135, 136, 124, 299

The ornamental design for a dual video cassette recorder, as shown and described.

[56] References Cited

DESCRIPTION

U.S. PATENT DOCUMENTS

- D. 252,391 7/1979 Ohya .
- D. 252,991 9/1979 Nishigaki .
- D. 268,263 3/1983 Bullock .
- D. 268,578 4/1983 Ohya D14/135
- D. 277,850 3/1985 Miyashita .
- D. 304,334 10/1989 Ohya et al. D14/135
- D. 321,190 10/1991 Ito et al. D14/135 X

FIG. 1 is a top, front and left side perspective view of a dual video cassette recorder showing my new design; FIG. 2 is a front elevational view thereof; FIG. 3 is a rear elevational view thereof; FIG. 4 is a side elevational view thereof, the side opposite being a mirror image of the side shown in FIG. 4; FIG. 5 is a top plan view thereof; and, FIG. 6 is a bottom plan view thereof.

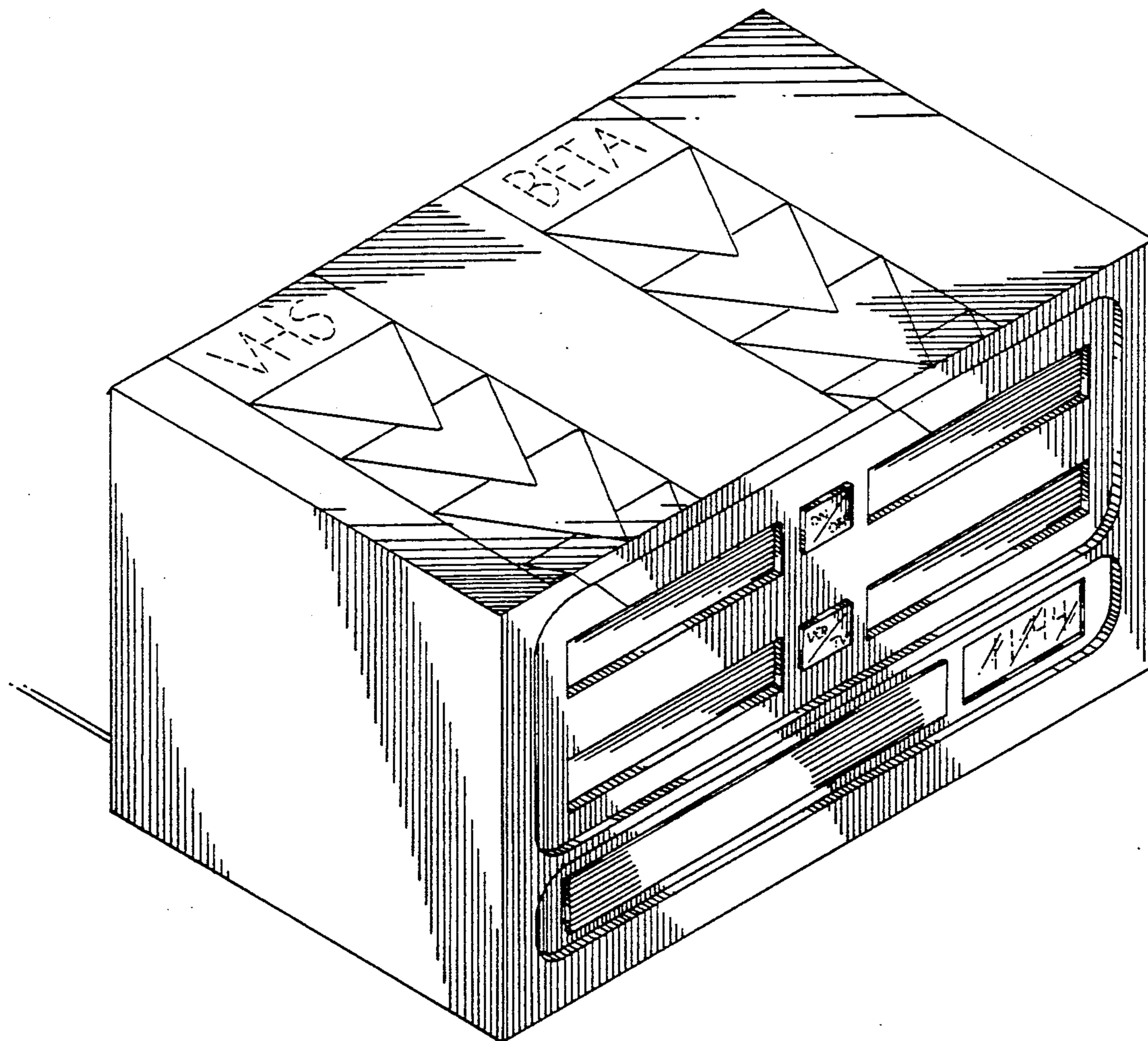


FIG. 1.

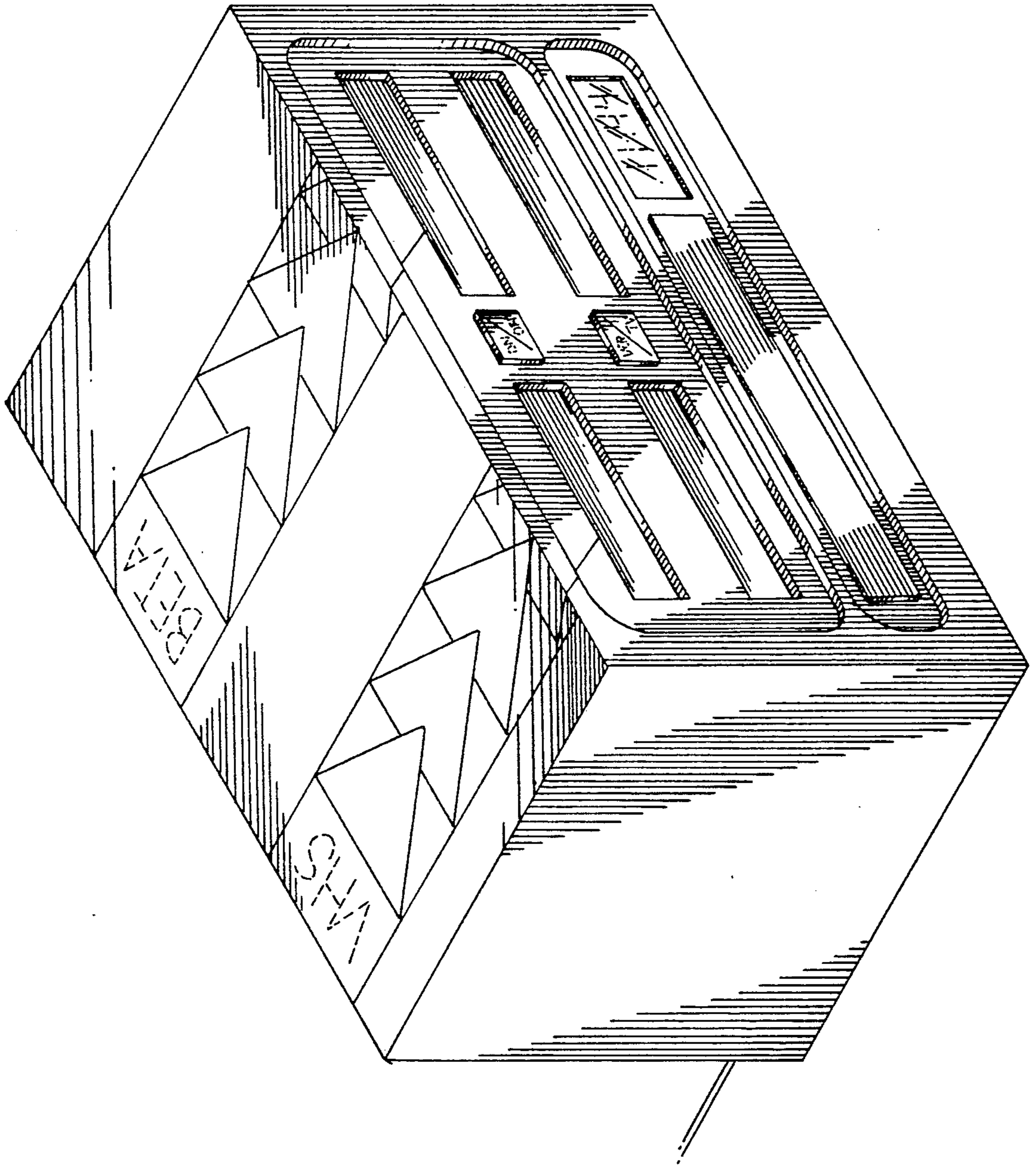


FIG. 4.

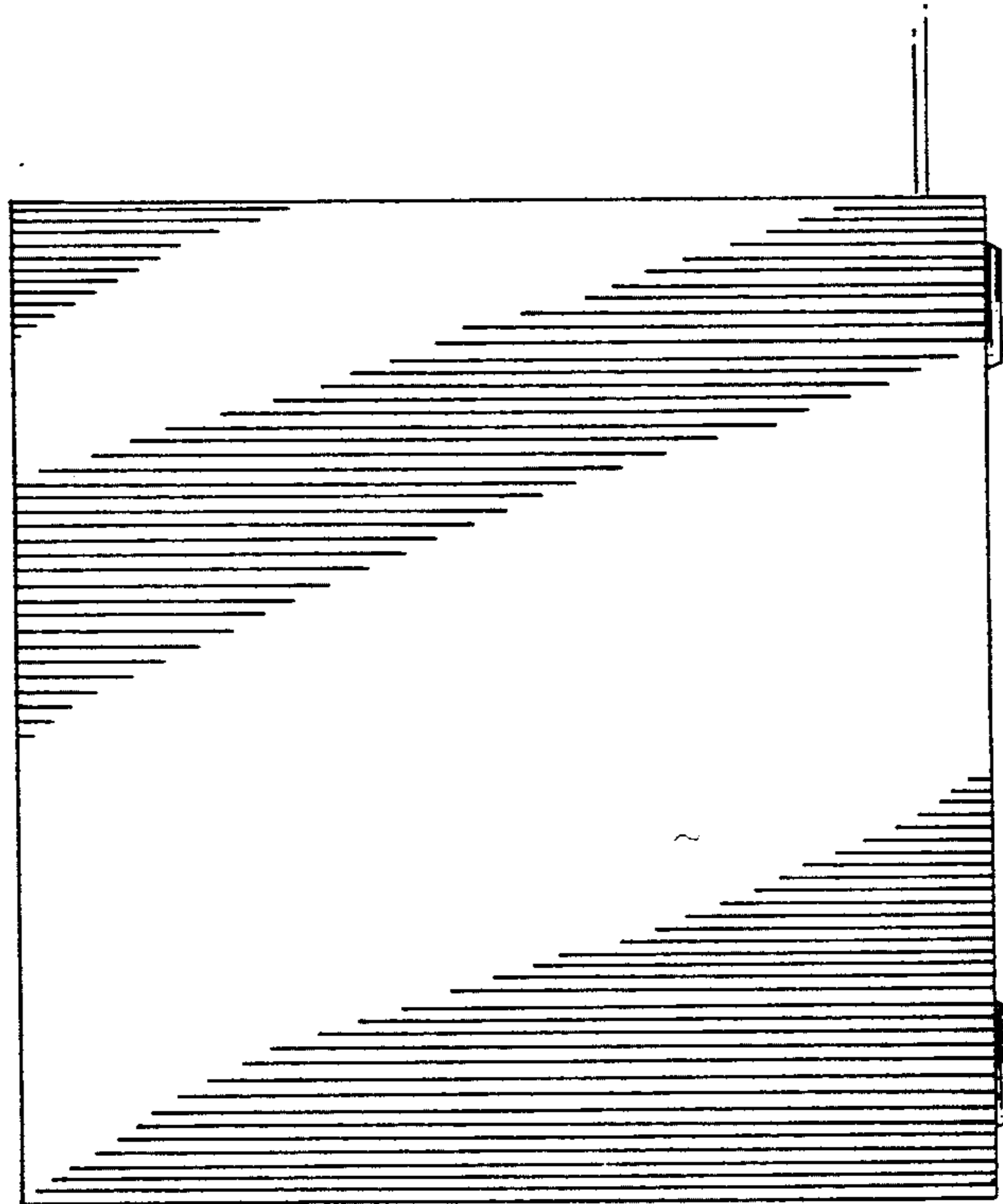


FIG. 2.

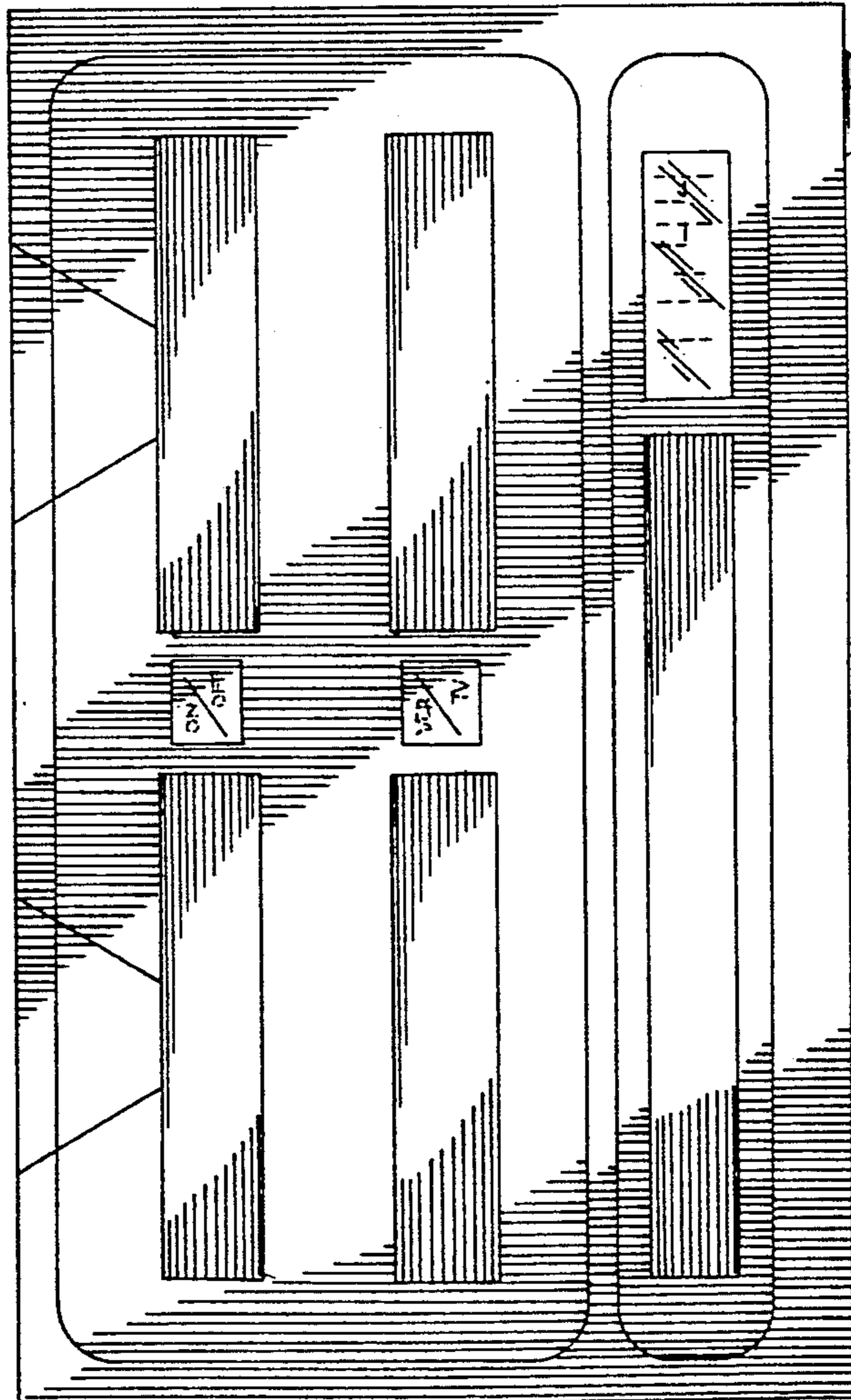


FIG. 5.

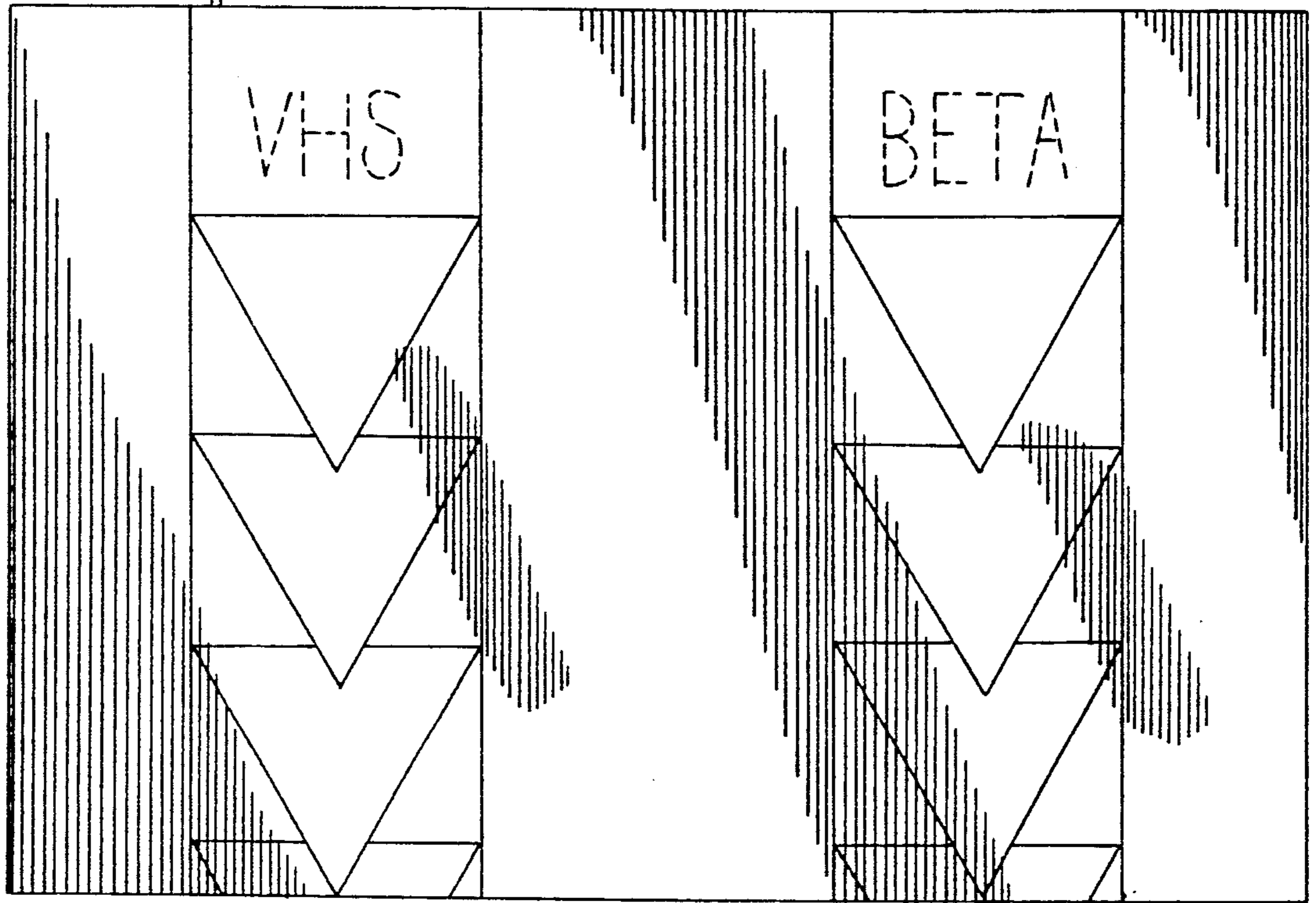


FIG. 3.

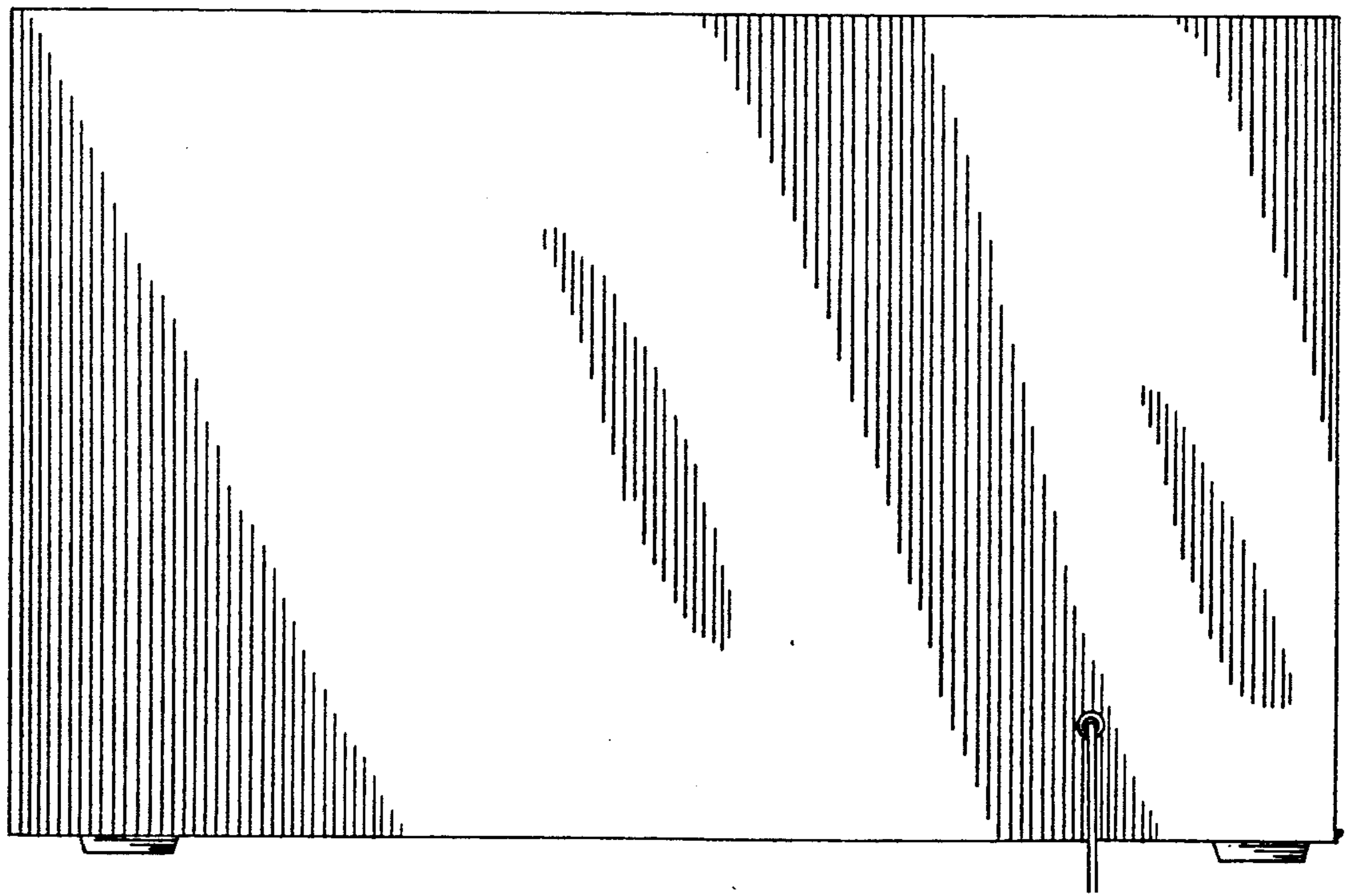


FIG. 6.

