



US00D327677S

United States Patent [19] Byun

[11] Patent Number: **Des. 327,677**
[45] Date of Patent: **** Jul. 7, 1992**

[54] VIDEO CASSETTE RECORDER

[75] Inventor: **Hee Y. Byun**, Seoul, Rep. of Korea
[73] Assignee: **Gold Star Co., Ltd.**, Seoul, Rep. of Korea
[**] Term: **14 Years**
[21] Appl. No.: **605,495**
[22] Filed: **Oct. 30, 1990**

[30] Foreign Application Priority Data

Apr. 30, 1990 [KR] Rep. of Korea 5923/1990
[52] U.S. Cl. **D14/135; D14/136**
[58] Field of Search **D14/135, 136, 124, 299**

[56] References Cited

U.S. PATENT DOCUMENTS

D. 311,534 10/1990 Ban et al. D14/135
D. 311,731 10/1990 Yang D14/135
D. 311,732 10/1990 Shim D14/135
D. 313,799 1/1991 Shim D14/135

OTHER PUBLICATIONS

Video Review, Oct. 1989, p. 39, RCA model VR700HF.

Primary Examiner—Theodore M. Shooman
Attorney, Agent, or Firm—John P. White

[57] CLAIM

The ornamental design for a video cassette recorder, as shown and described.

DESCRIPTION

FIG. 1 is a top, front, and right side perspective view of a video cassette recorder showing my new design; FIG. 2 is a top, front, and right side perspective view thereof, shown with the control panel cover in an open position; FIG. 3 is a top plan view thereof; FIG. 4 is a front elevational view thereof; FIG. 5 is a rear elevational view thereof; FIG. 6 is a bottom plan view thereof; and, FIG. 7 is a right side elevational view thereof, a left side being a mirror image.

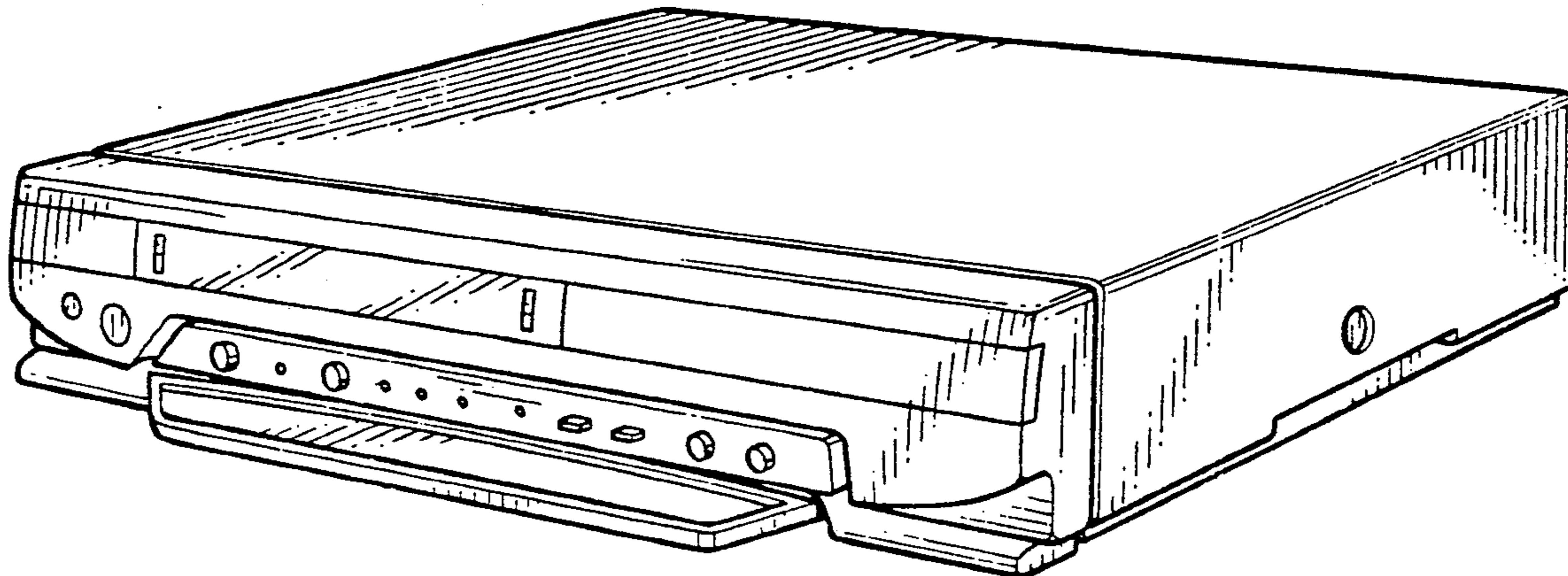
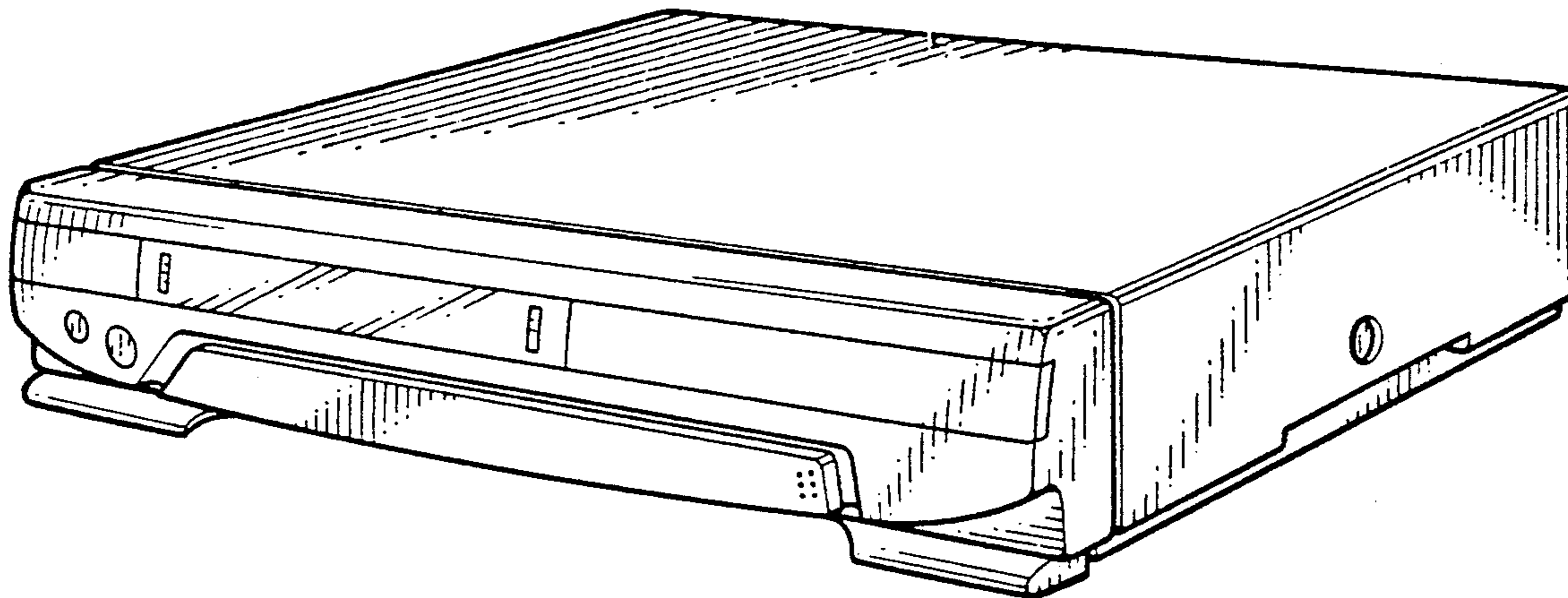


FIG. 1

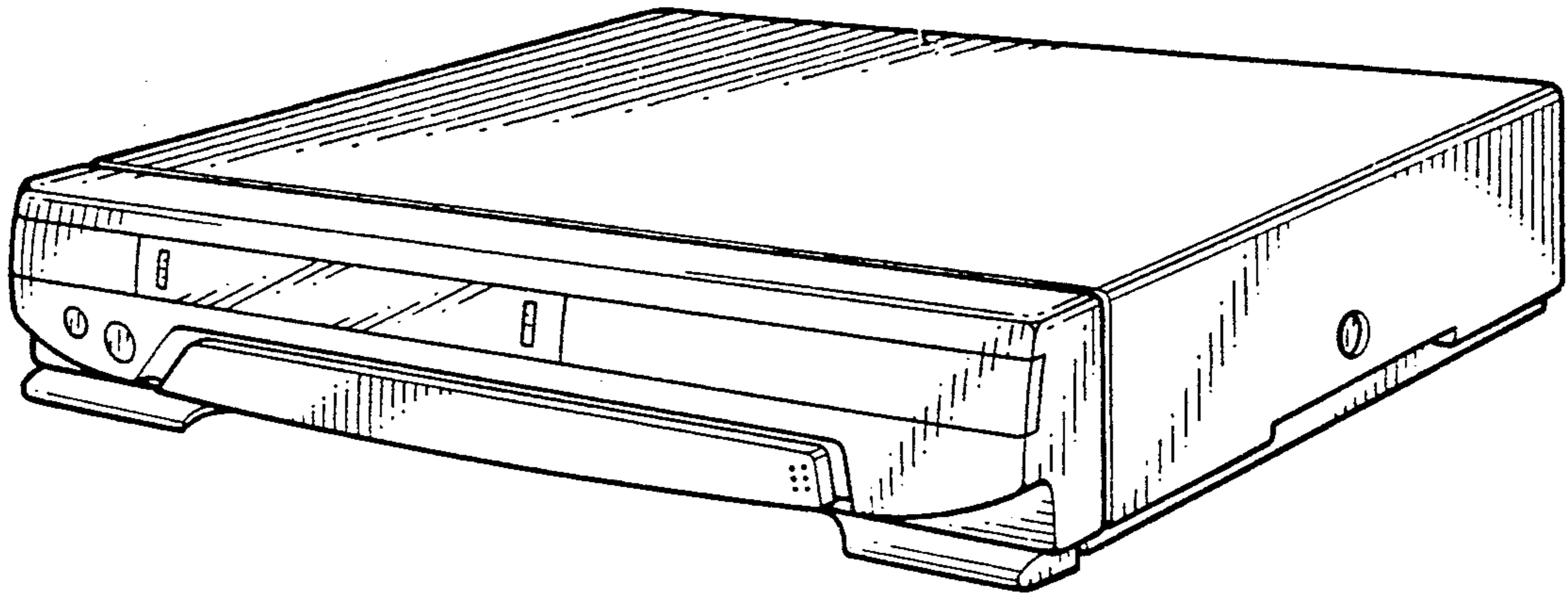
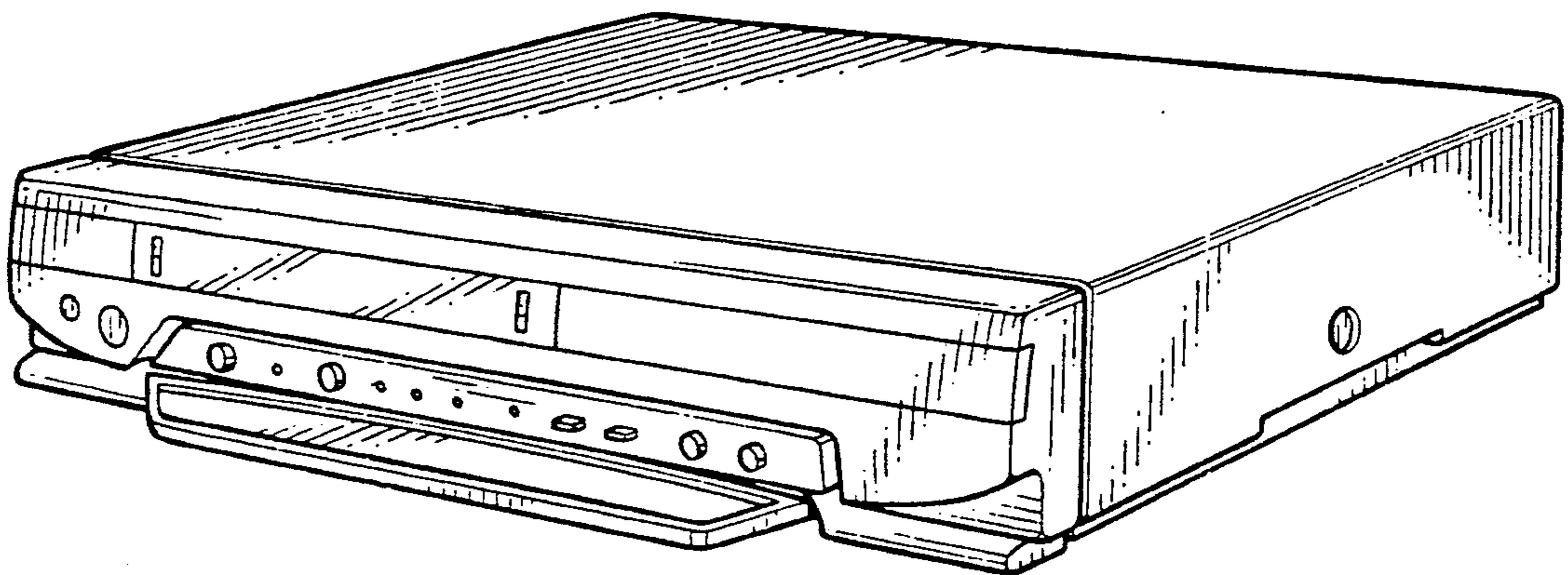
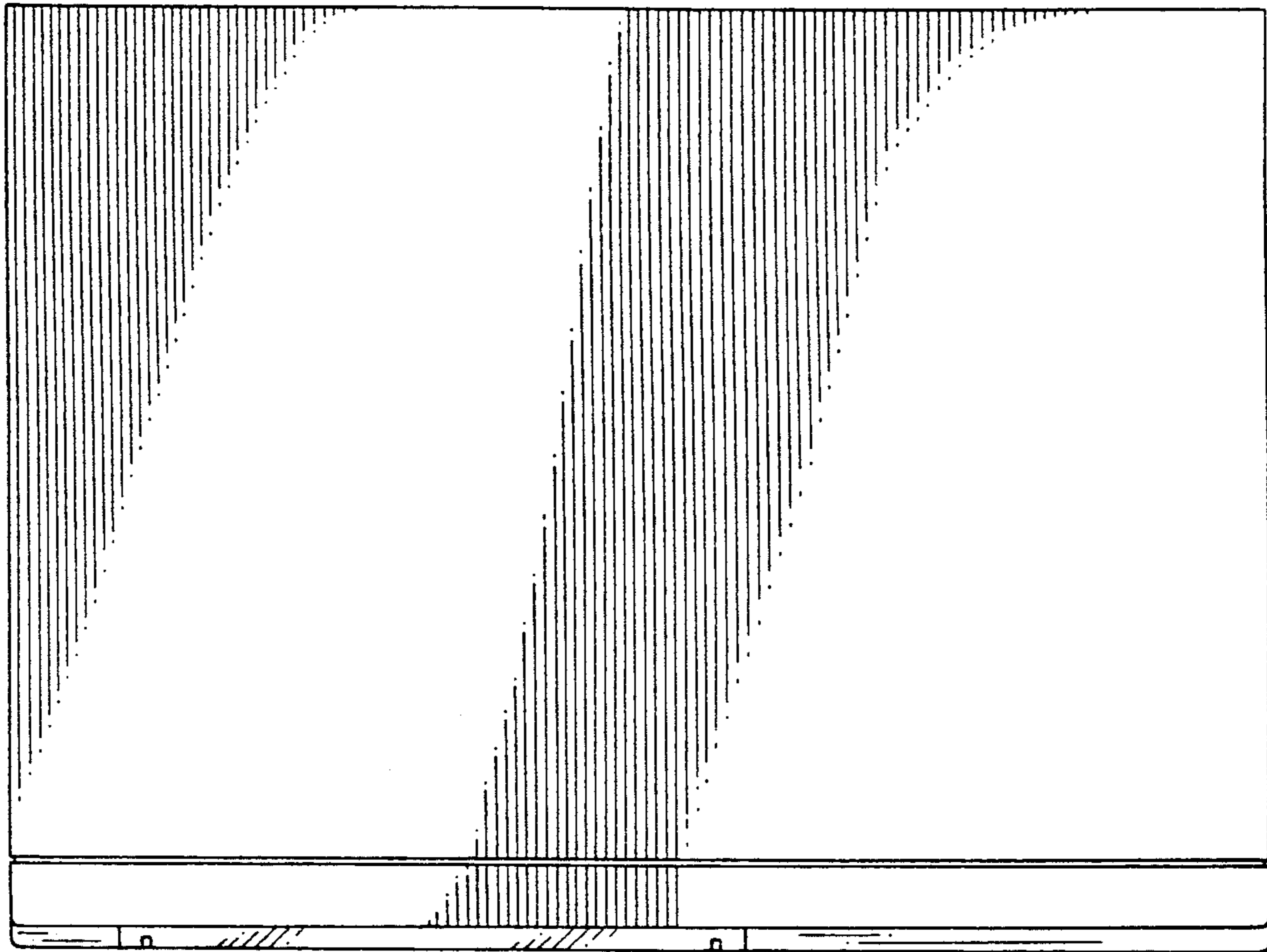


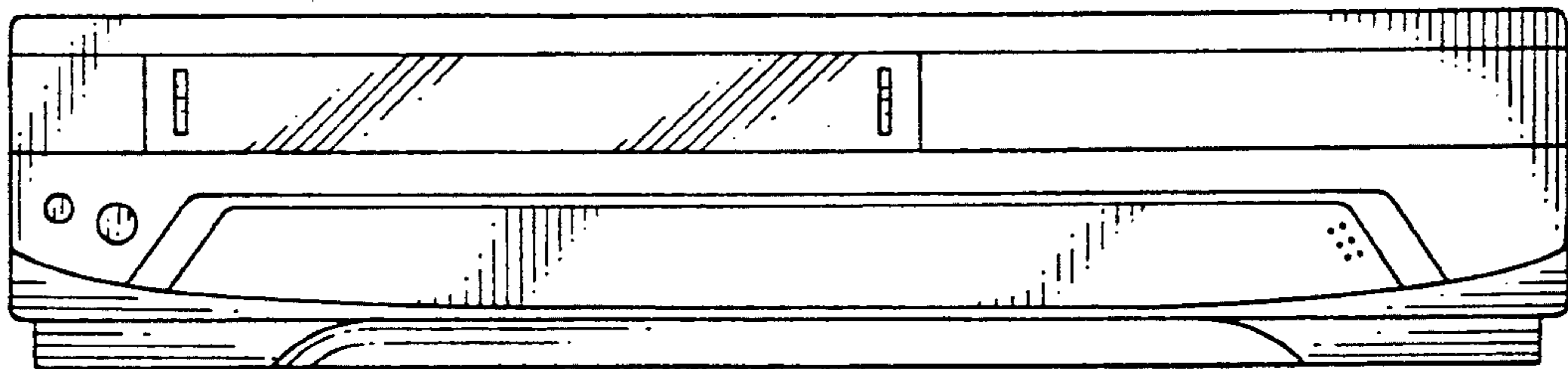
FIG. 2



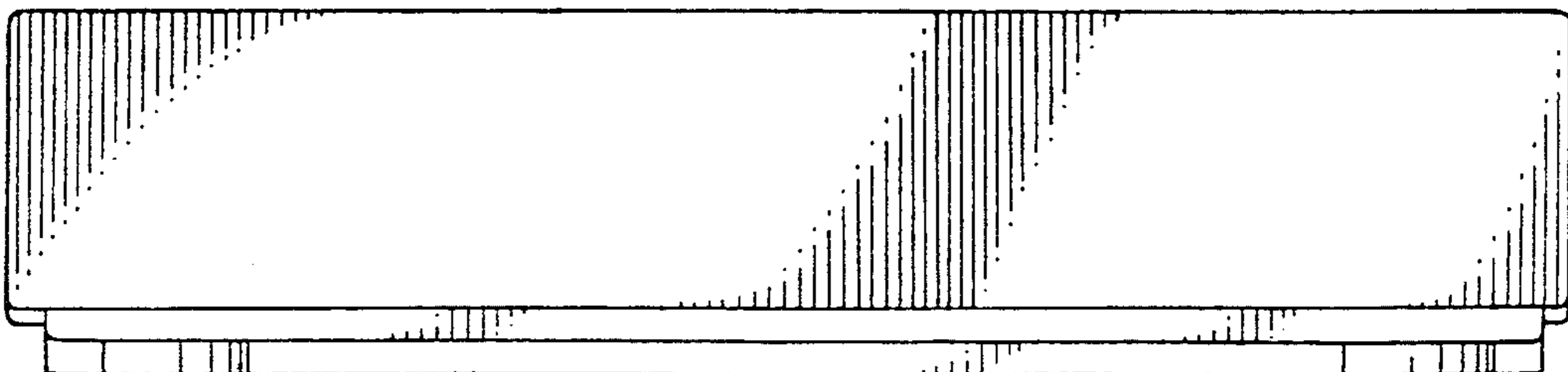
F I G . 3



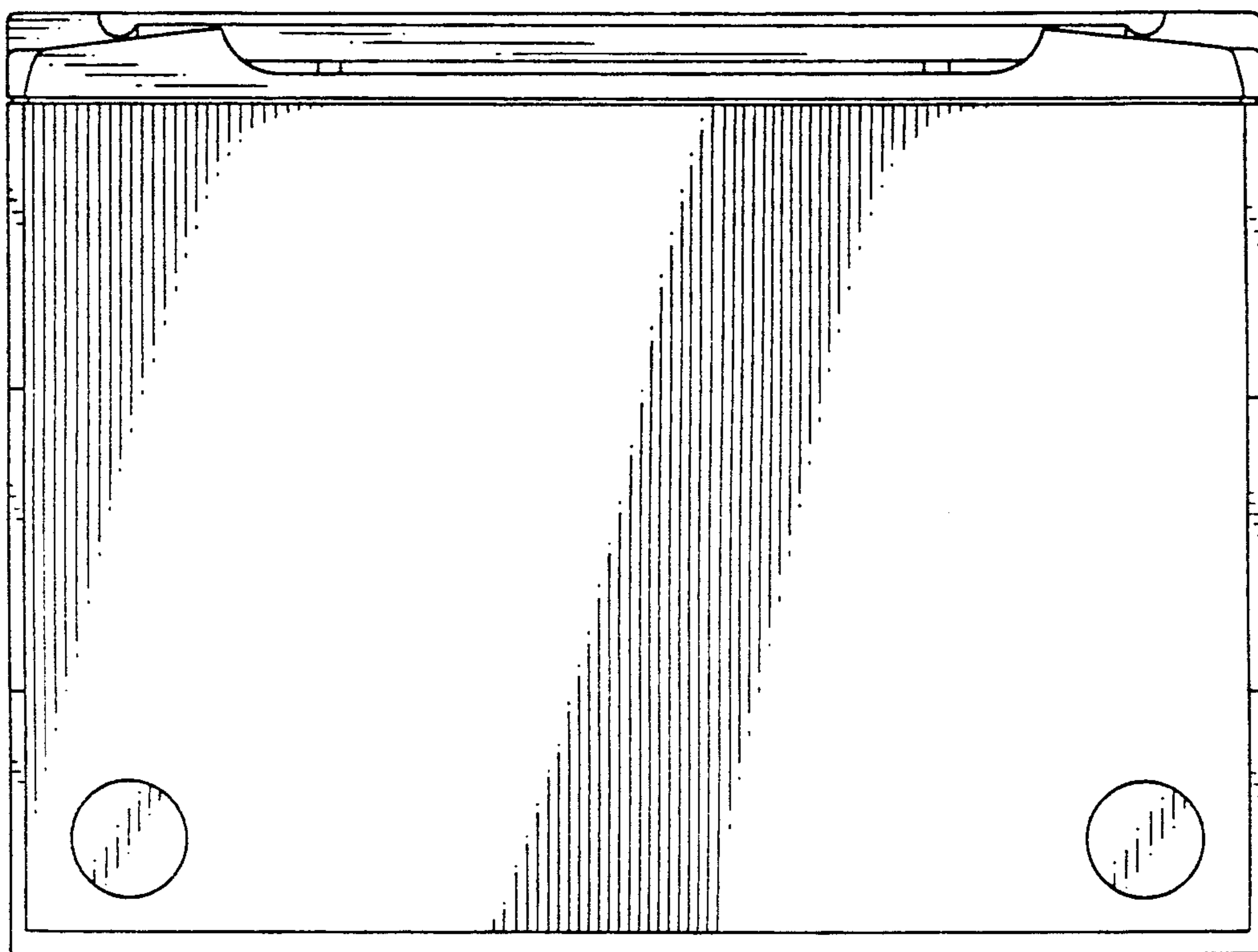
F I G . 4



F I G . 5



F I G . 6



F I G . 7

