



US00D327676S

United States Patent [19]

Yang

[11] Patent Number: **Des. 327,676**

[45] Date of Patent: **** Jul. 7, 1992**

[54] VIDEO CASSETTE RECORDER

[75] Inventor: **Doo S. Yang**, Seoul, Rep. of Korea

[73] Assignee: **Gold Star Co., Ltd.**, Seoul, Rep. of Korea

[**] Term: **14 Years**

[21] Appl. No.: **590,159**

[22] Filed: **Sep. 28, 1990**

[30] Foreign Application Priority Data

Mar. 29, 1990 [KR] Rep. of Korea 4030/1990

[52] U.S. Cl. **D14/135; D14/136**

[58] Field of Search **D14/135, 136, 124, 299**

[56] References Cited

U.S. PATENT DOCUMENTS

D. 311,534	10/1990	Ban et al.	D14/135
D. 311,731	10/1990	Yang	D14/135
D. 311,732	10/1990	Shim	D14/135
D. 313,799	1/1991	Shim	D14/135

OTHER PUBLICATIONS

Video Review, Oct. 1989, p. 39, RCA model VR700HF.

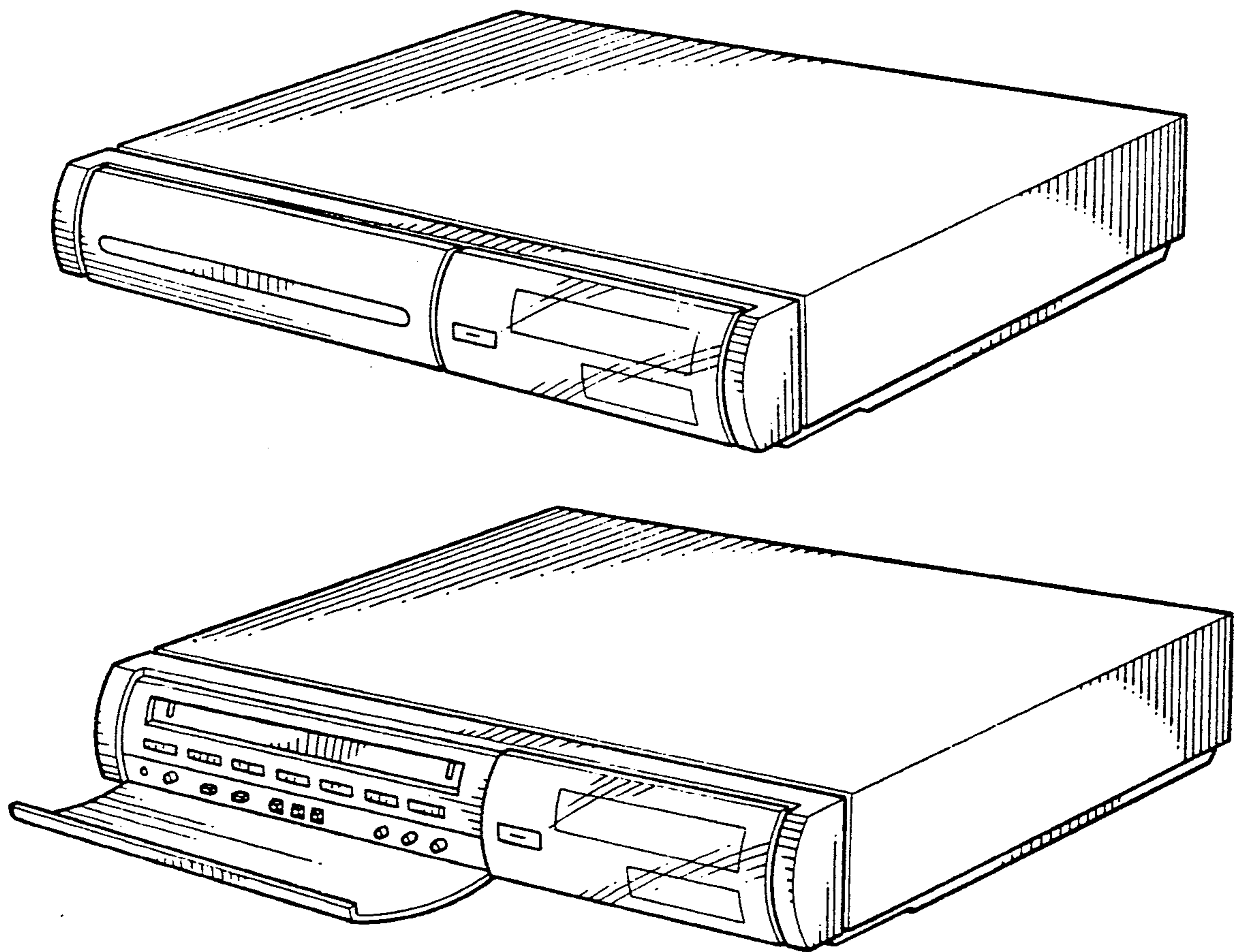
Primary Examiner—Theodore M. Shooman
Attorney, Agent, or Firm—John P. White

[57] CLAIM

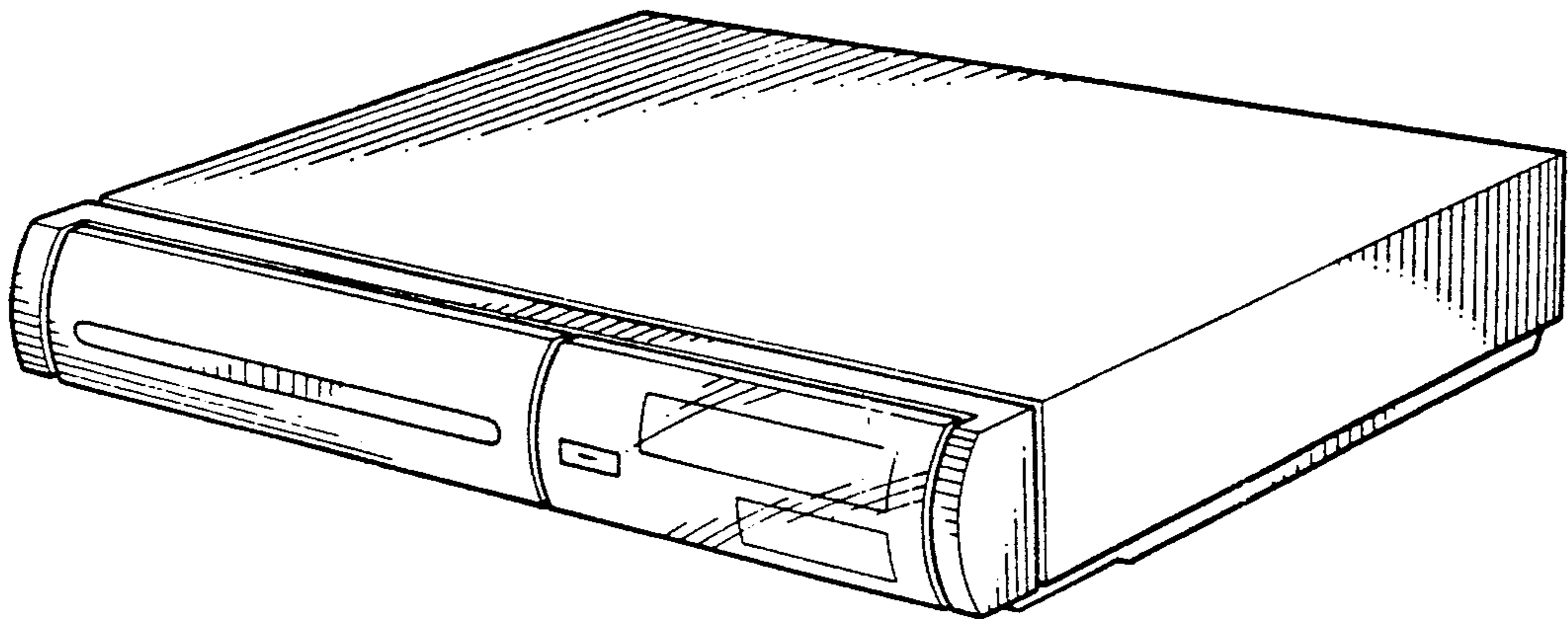
The ornamental design for a video cassette recorder, as shown and described.

DESCRIPTION

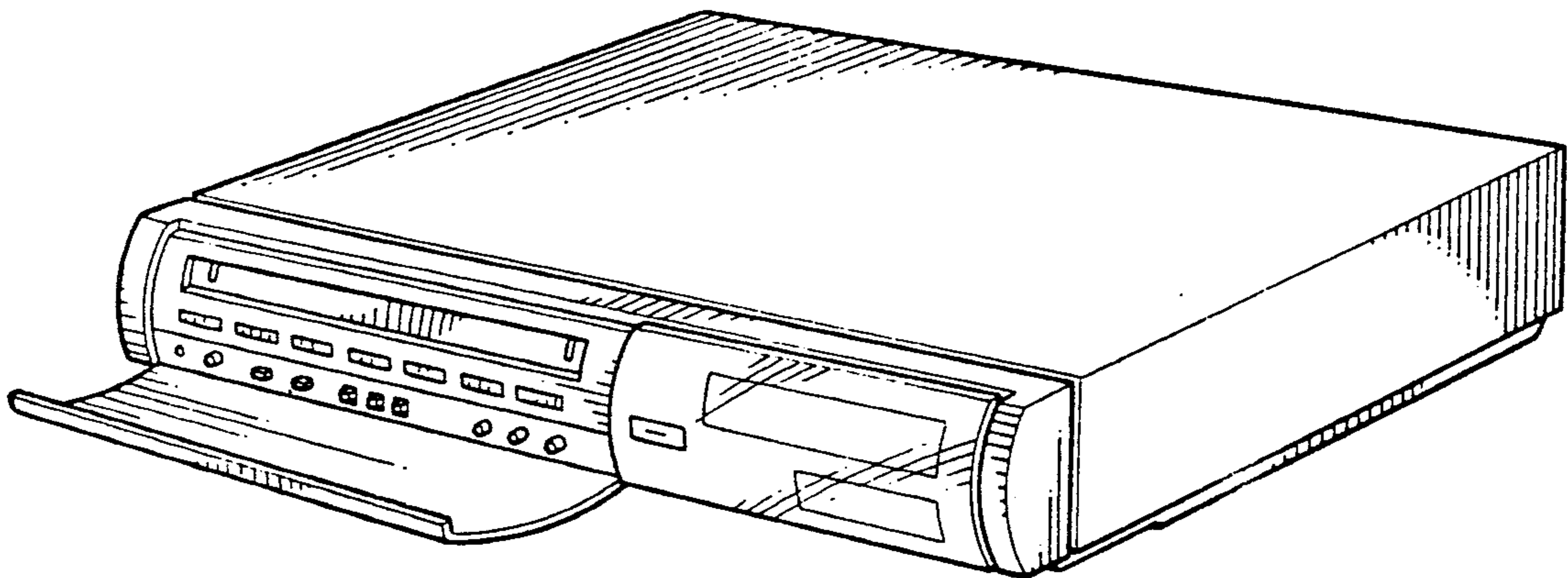
FIG. 1 is a top, front, and right side perspective view of a video cassette recorder showing my new design; FIG. 2 is a top, front, and right side perspective view thereof showing a front cover in the open position; FIG. 3 is a top plan view thereof; FIG. 4 is a front elevational view thereof; FIG. 5 is a rear elevational view thereof; FIG. 6 is a bottom plan view thereof; and, FIG. 7 is a right side elevational view thereof, a left side being a mirror image.



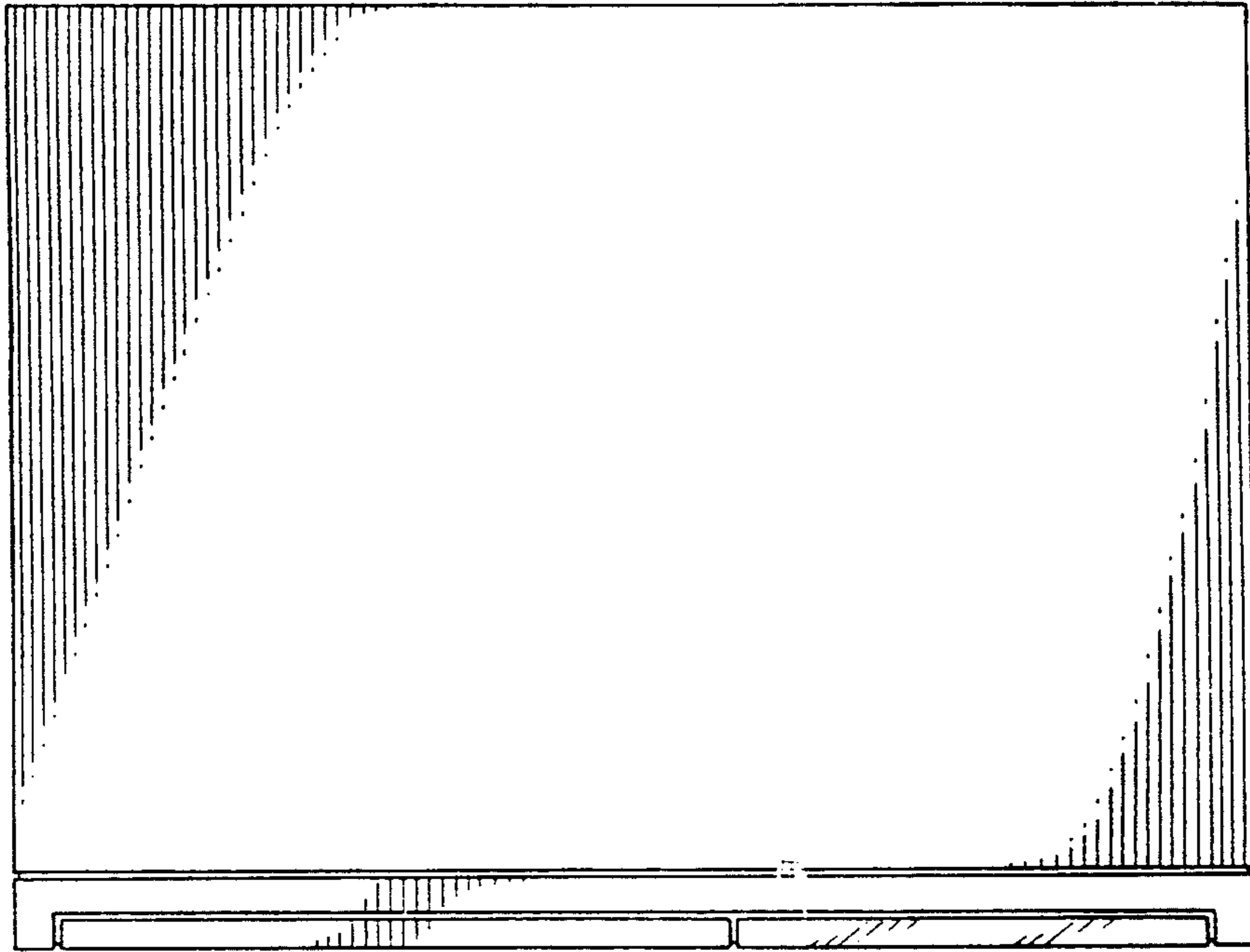
F I G . 1



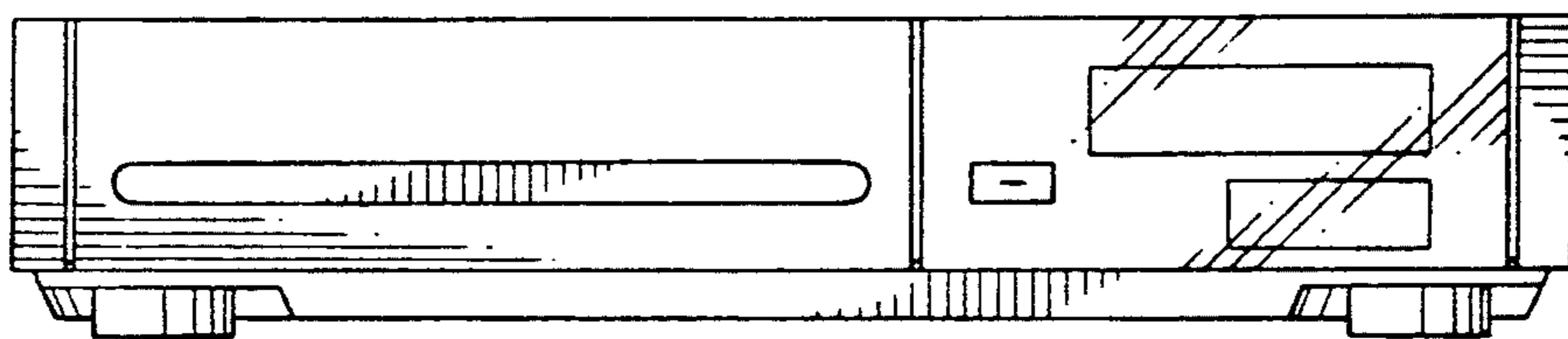
F I G . 2



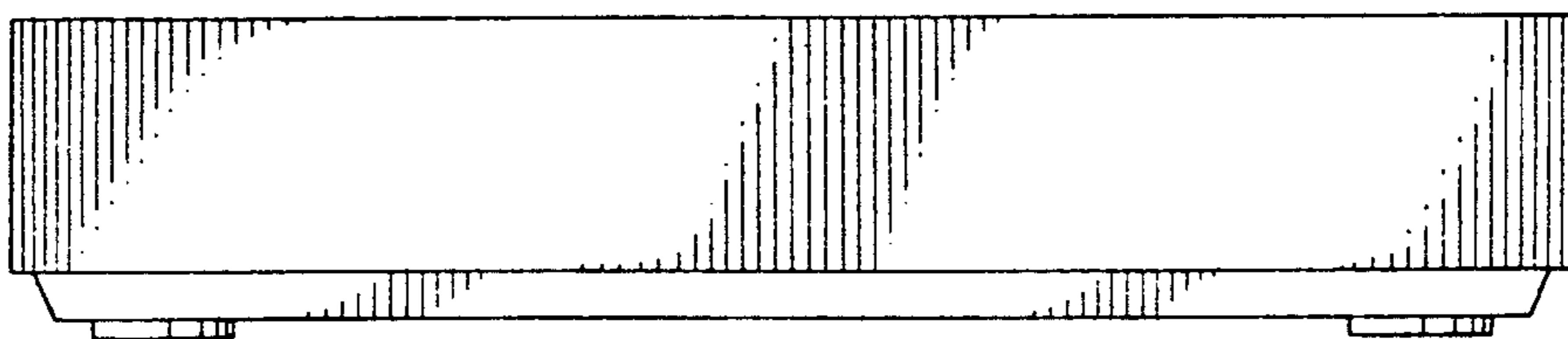
F I G . 3



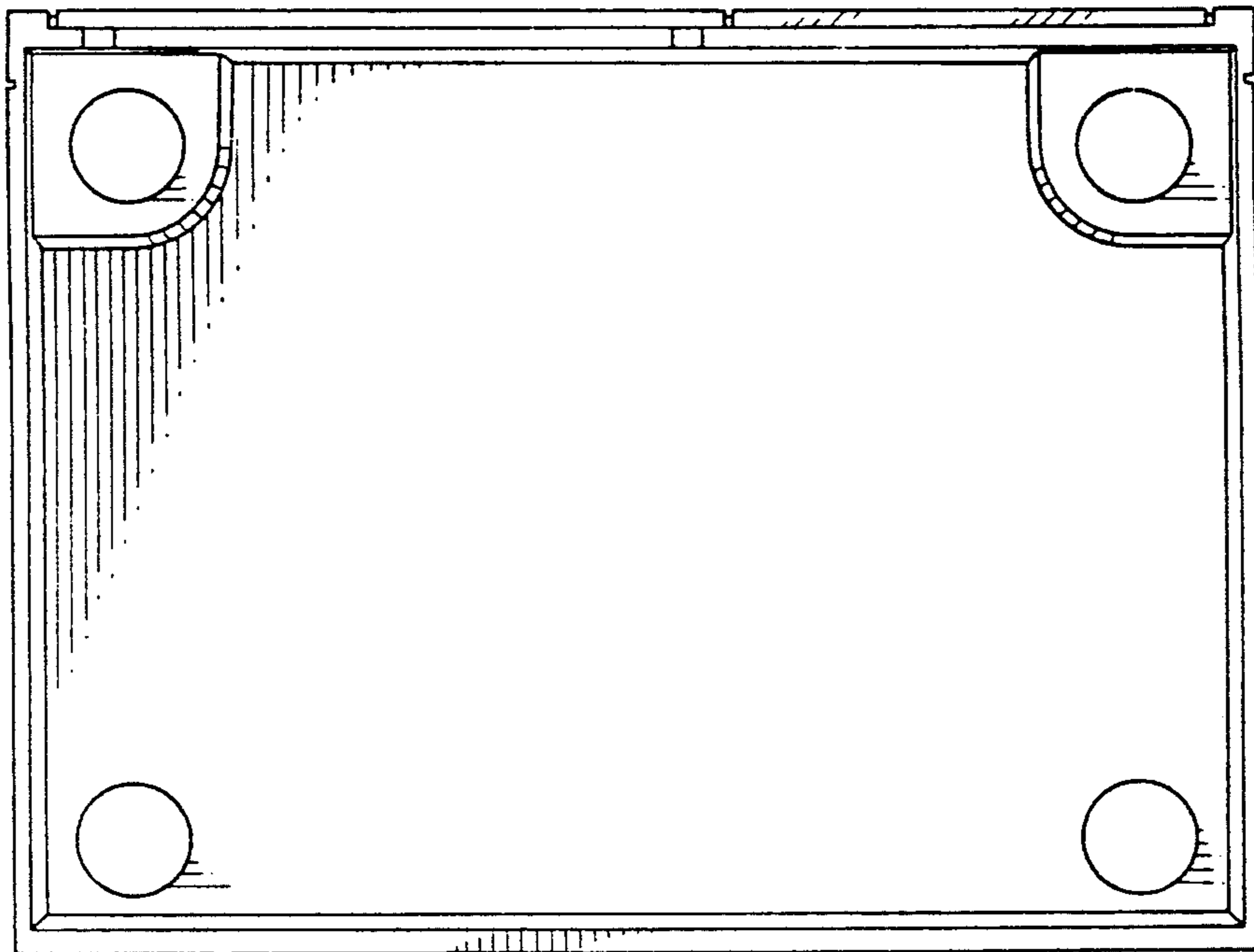
F I G . 4



F I G . 5



F I G . 6



F I G . 7

