



US00D327672S

United States Patent [19]

[11] Patent Number: **Des. 327,672**

Iimura

[45] Date of Patent: *** Jul. 7, 1992**

[54] IMAGE SCANNER

[75] Inventor: **Masayuki Iimura, Akishima, Japan**

[73] Assignee: **Canon Kabushiki Kaisha, Tokyo, Japan**

[*] Notice: The portion of the term of this patent subsequent to Feb. 11, 2006 has been disclaimed.

[**] Term: **14 Years**

[21] Appl. No.: **482,353**

[22] Filed: **Feb. 21, 1990**

[30] Foreign Application Priority Data

Aug. 21, 1989 [JP] Japan 1-30525

[52] U.S. Cl. **D14/107**

[58] Field of Search D14/100, 105, 107, 128; D16/202, 214, 229, 232; D18/36, 38, 39, 45; 235/440, 470, 473, 483, 454; 250/203 R, 216, 566, 568; 358/163, 483; 354/80-82; 355/64, 75, 233

[56] References Cited

U.S. PATENT DOCUMENTS

D. 223,216	3/1972	Saito et al.	D18/36
D. 250,028	10/1978	Kajiwara et al.	D16/214
D. 276,815	12/1984	Kando et al.	D18/39
D. 283,329	4/1986	Dayton	D18/36
D. 296,328	6/1988	Austin et al.	D14/107
D. 308,222	5/1990	Sano et al.	D18/36
3,981,582	9/1976	Bookless	355/75
4,803,505	2/1989	Saijo et al.	354/80

Primary Examiner—Wallace R. Burke

Assistant Examiner—Freda S. Nunn

Attorney, Agent, or Firm—Fitzpatrick, Cella, Harper & Scinto

[57] CLAIM

The ornamental design for an image scanner, as shown and described.

DESCRIPTION

FIG. 1 is a front elevational view of an image scanner showing my new design;

FIG. 2 is a rear elevational view thereof;

FIG. 3 is a top plan view thereof;

FIG. 4 is a bottom plan view thereof;

FIG. 5 is a left side elevational view thereof;

FIG. 6 is a right side elevational view thereof; and,

FIG. 7 is a perspective view thereof.

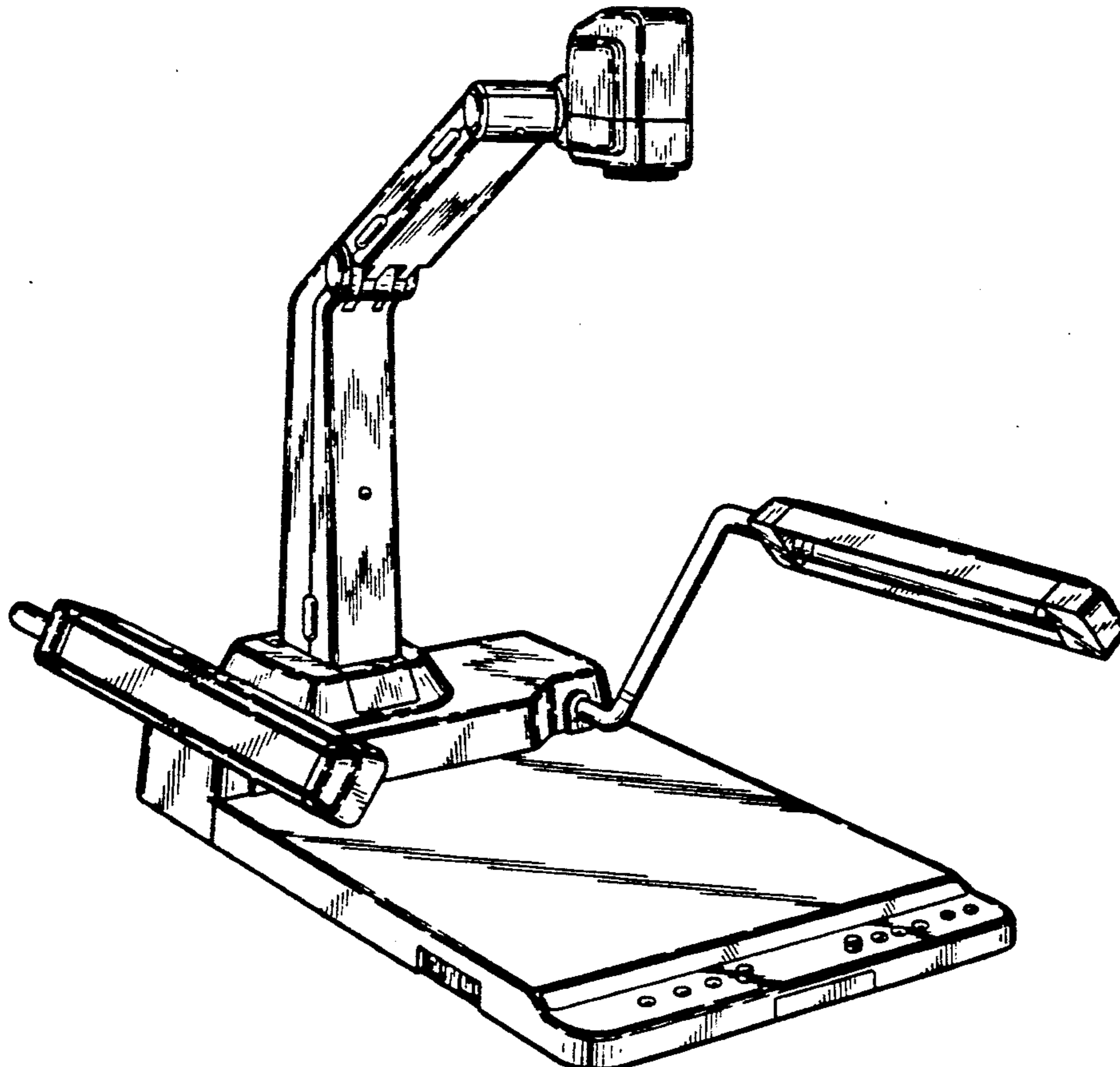


FIG. 1

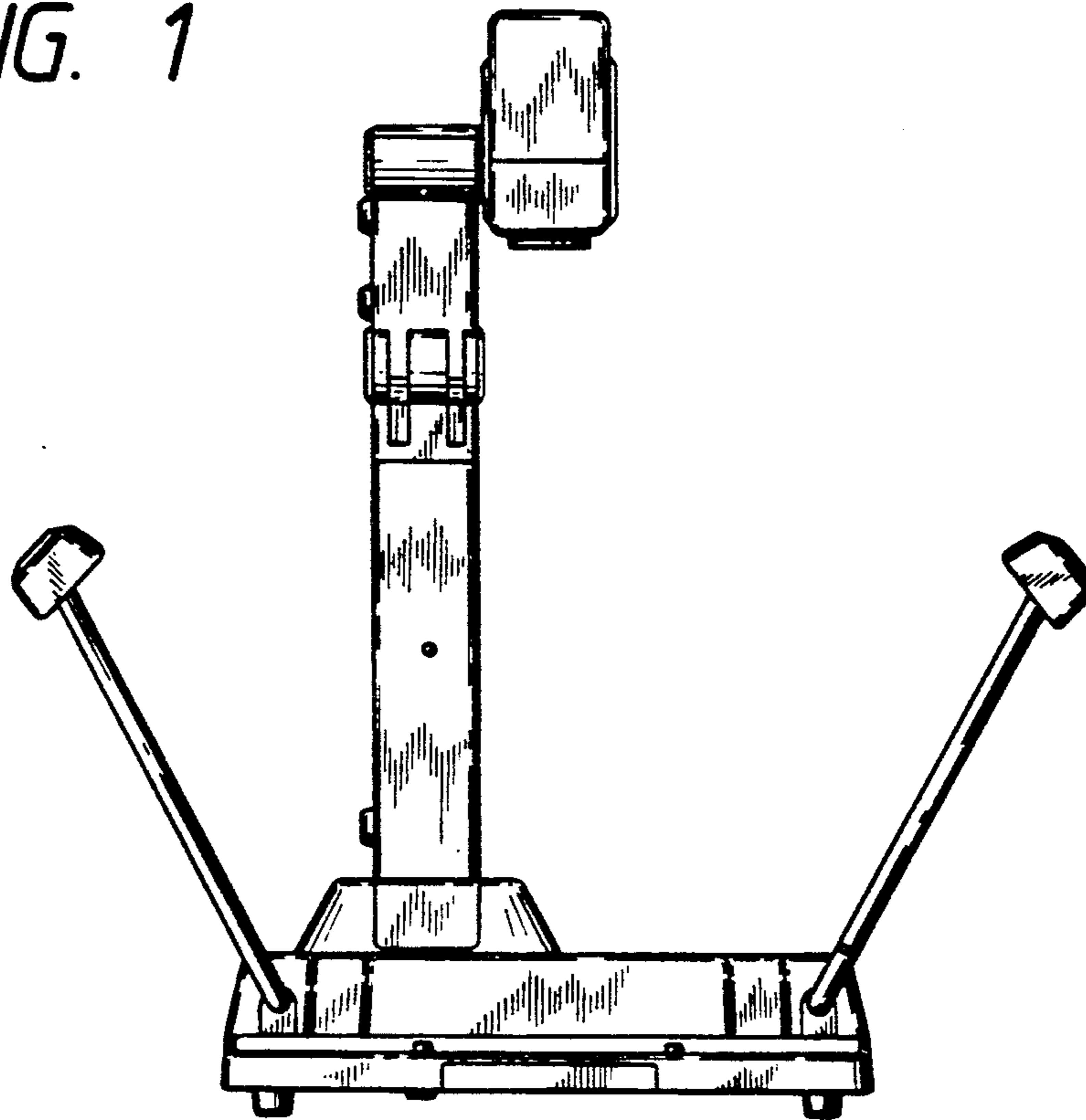


FIG. 2

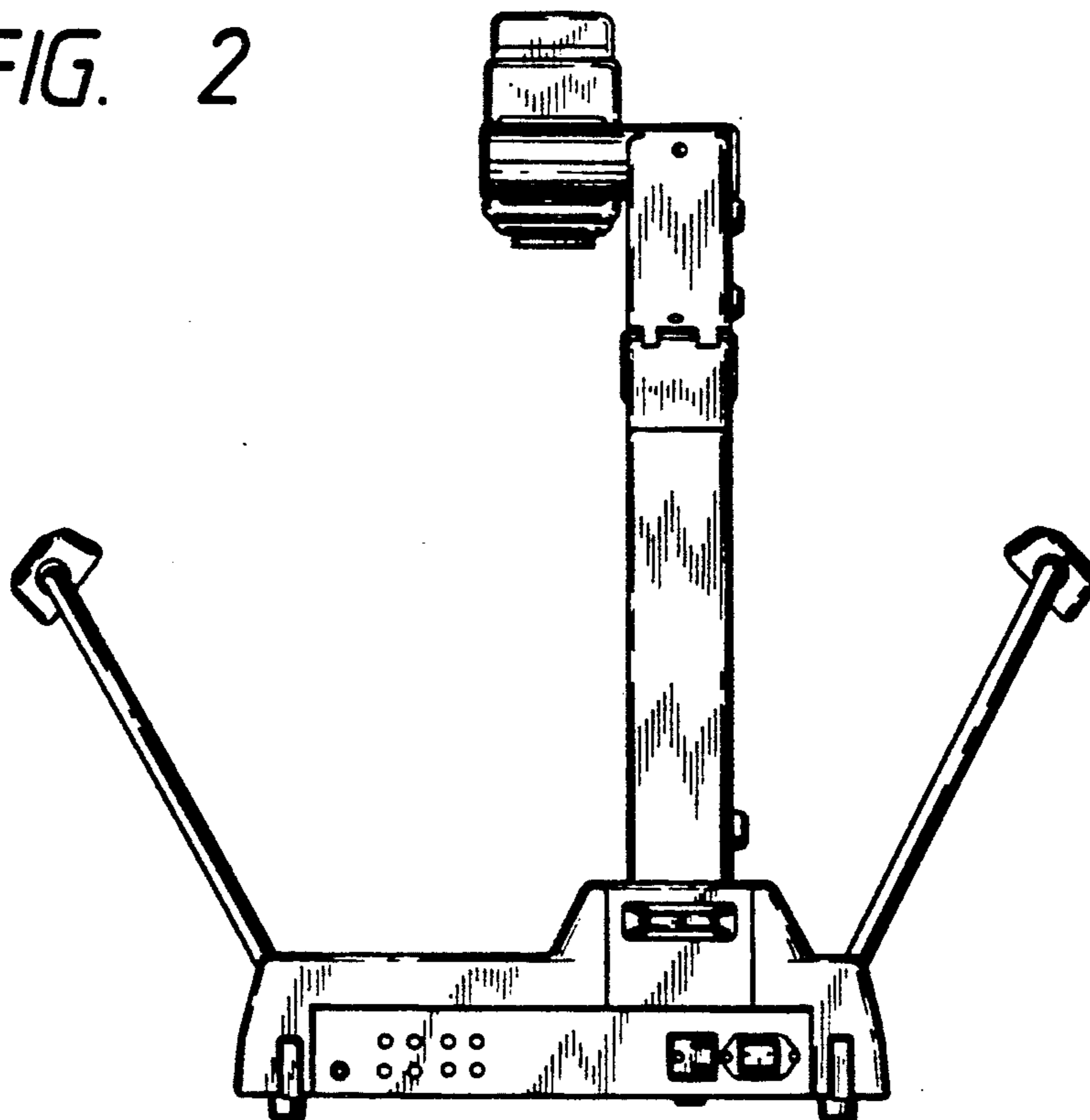


FIG. 3

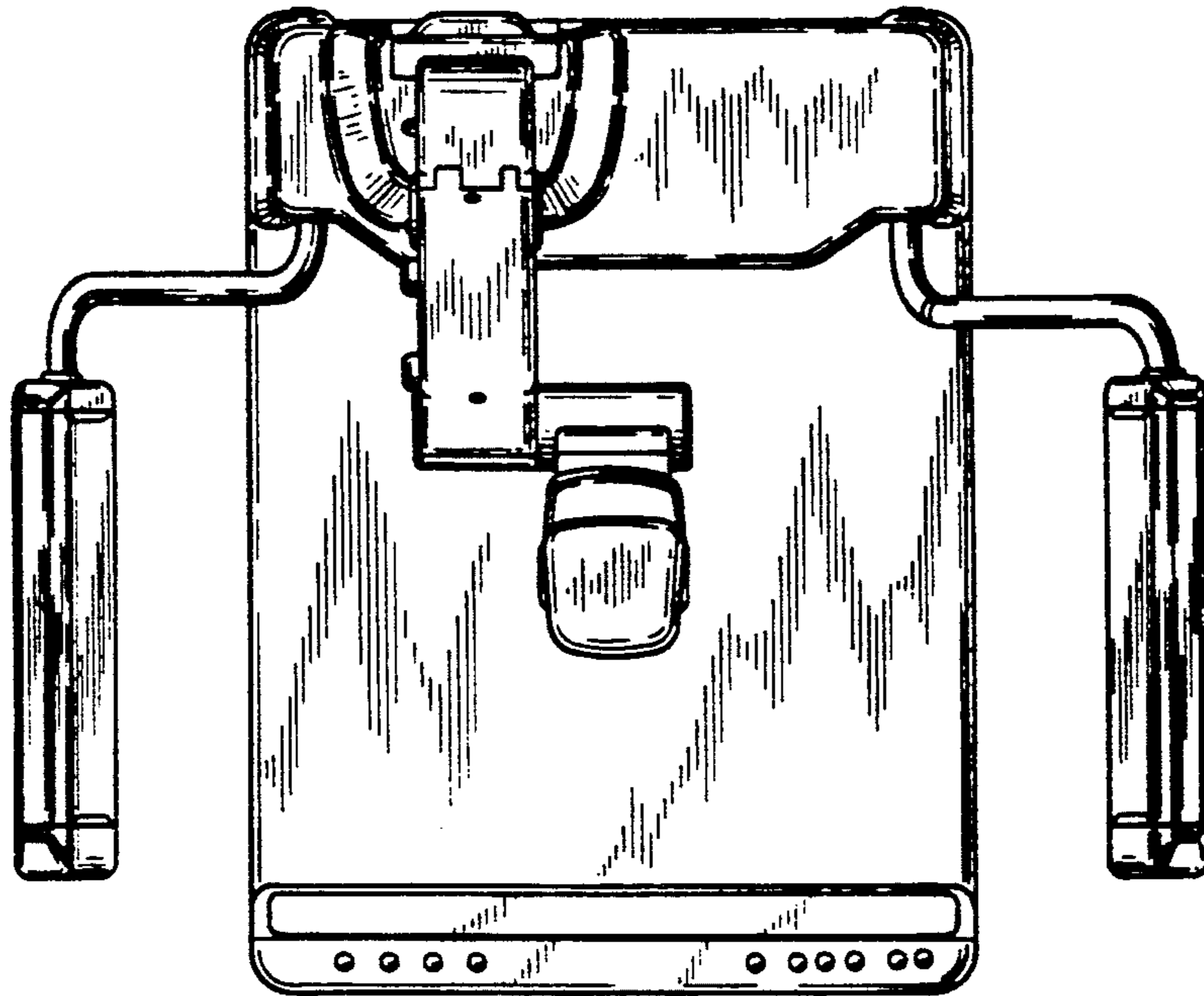


FIG. 4

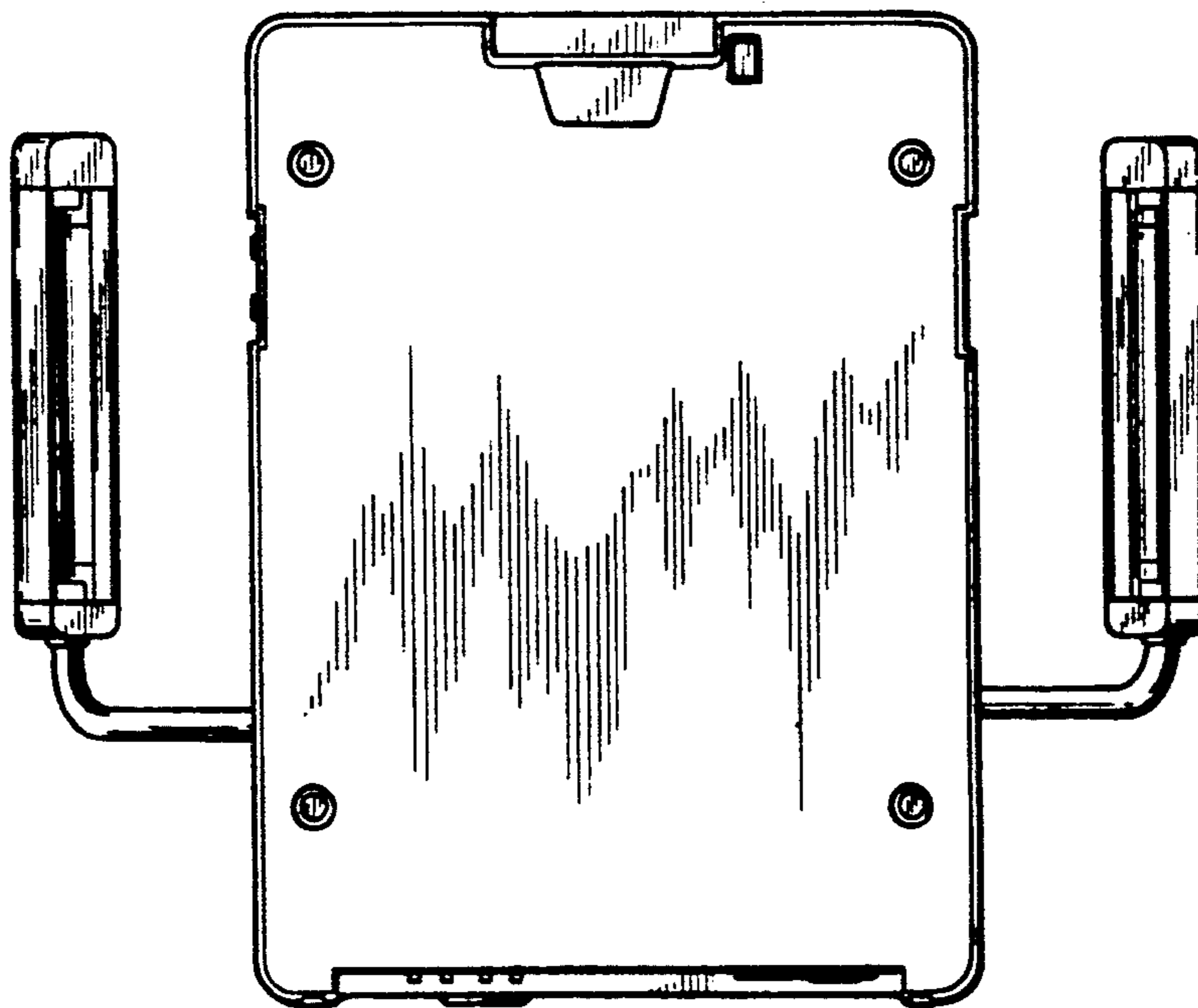


FIG. 5

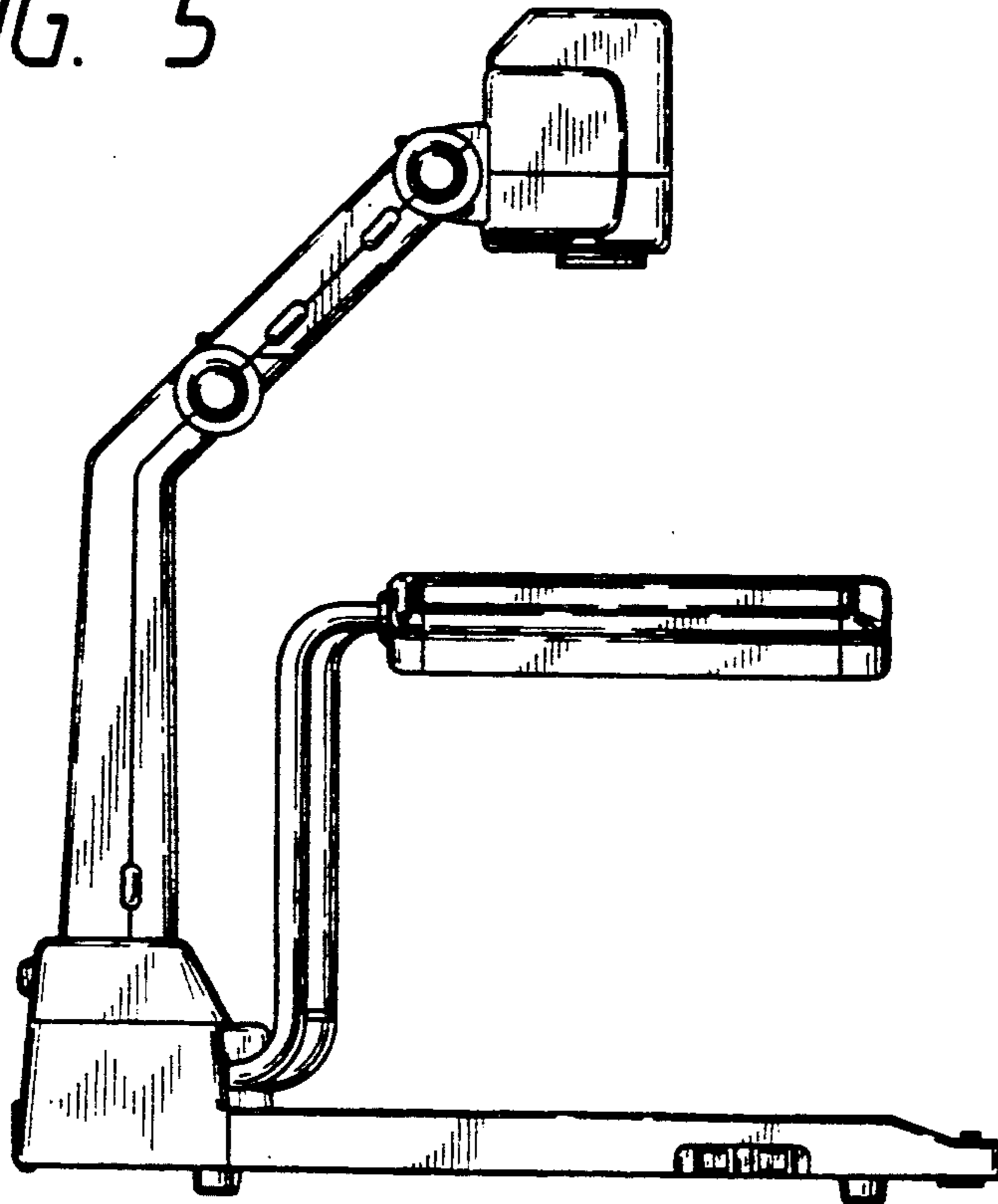


FIG. 6

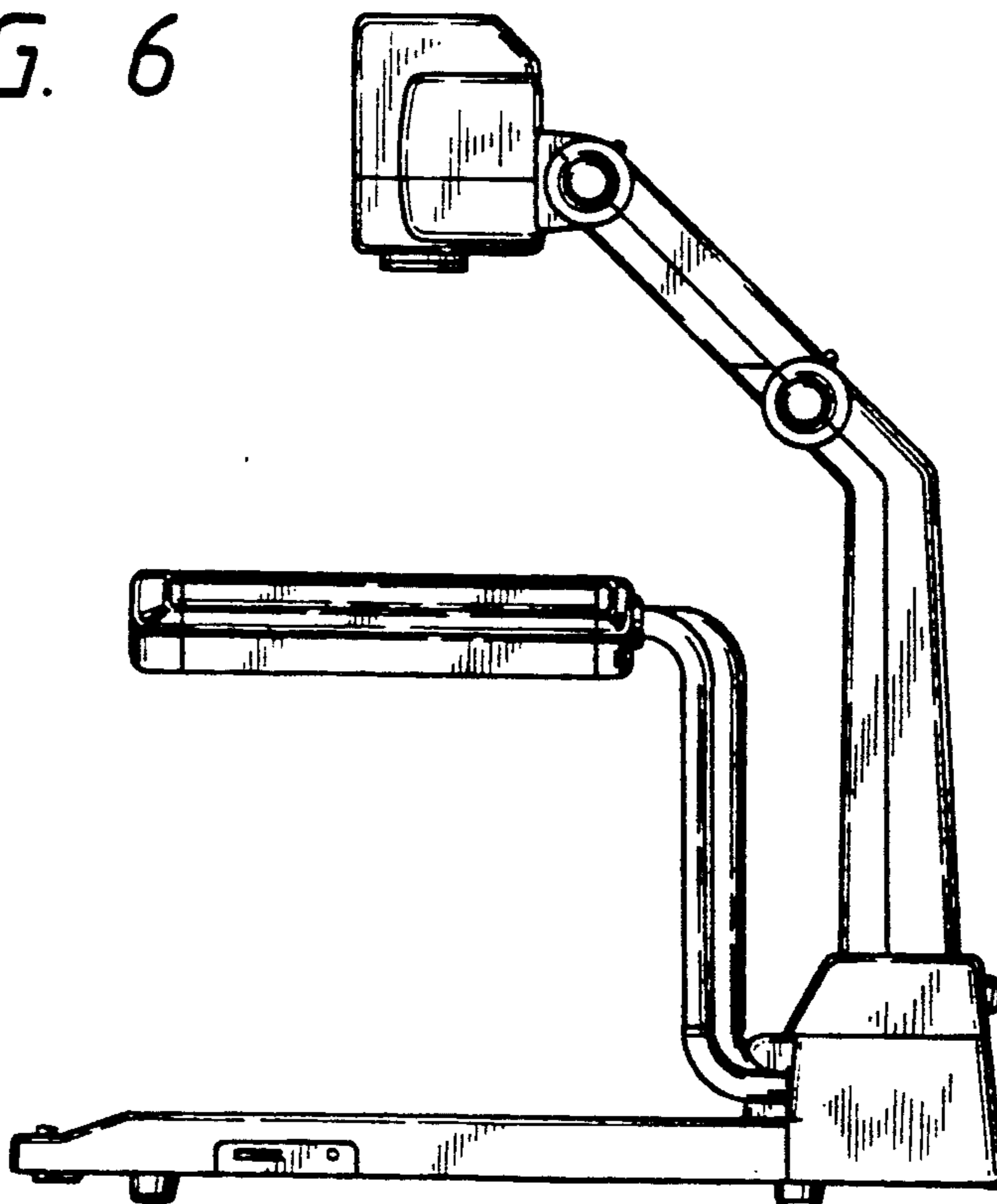


FIG. 7

