



US00D327670S

United States Patent [19]

[11] Patent Number: **Des. 327,670**

Kozono et al.

[45] Date of Patent: **** Jul. 7, 1992**

[54] **ELECTRICAL CONNECTOR HOUSING**

[75] Inventors: **Seiji Kozono; Toshiro Maejima**, both of Shizuoka, Japan

[73] Assignee: **Yazaki Corporation**, Tokyo, Japan

[*] Notice: The portion of the term of this patent subsequent to Sep. 17, 2005 has been disclaimed.

[**] Term: **14 Years**

[21] Appl. No.: **453,281**

[22] Filed: **Dec. 15, 1989**

[30] **Foreign Application Priority Data**

Jul. 13, 1989 [JP] Japan 1-25709

[52] U.S. Cl. **D13/133**

[58] Field of Search D13/133, 146, 147; 439/271, 275, 279, 282, 293, 297, 350, 352, 353, 357, 358, 571, 586, 587, 589, 595, 596, 598, 600, 680, 682, 685, 686, 687, 695, 701, 724, 744, 748, 752

[56] **References Cited**

U.S. PATENT DOCUMENTS

- D. 306,426 3/1990 Endo et al. D13/133
- D. 309,289 7/1990 Endo et al. D13/147
- D. 311,379 10/1990 Kuzuno et al. D13/147
- D. 317,295 6/1991 Saito D13/147

Primary Examiner—Susan J. Lucas
Assistant Examiner—Joel Sincavage
Attorney, Agent, or Firm—Armstrong, Nikaido, Marmelstein, Kubovcik & Murray

[57] **CLAIM**

The ornamental design for an electrical connector housing, as shown and described.

DESCRIPTION

FIG. 1 is a top plan view of an electrical connector housing showing our new design;
 FIG. 2 is a front elevational view thereof;
 FIG. 3 is a bottom plan view thereof;
 FIG. 4 is a right side elevational view thereof, the left side elevational view thereof being a mirror image;
 FIG. 5 is a rear elevational view thereof;
 FIG. 6 is a cross-sectional view thereof taken along the line 6—6 of FIG. 2;
 FIG. 7 is a cross-sectional view thereof taken along line 7—7 of FIG. 2;
 FIG. 8 is a cross-sectional view thereof taken along line 8—8 of FIG. 2;
 FIG. 9 is a cross-sectional view thereof taken along line 9—9 of FIG. 4; and,
 FIG. 10 is a rear and upper left perspective view thereof.

The broken line showing of the conductors, corresponding housing and other related members is included for the purpose of illustrating environmental elements only and forms no part of the claimed design.

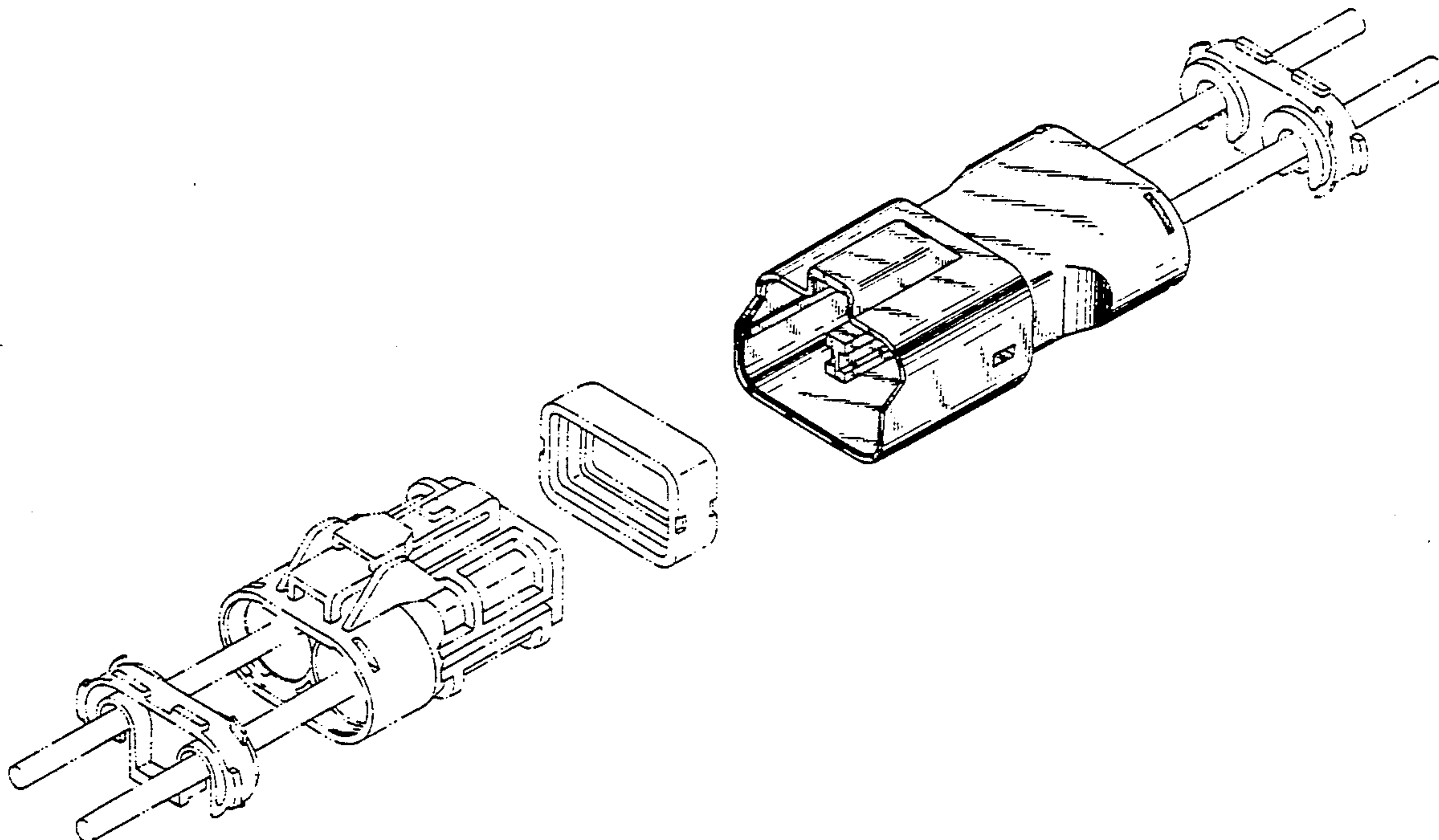


FIG. 1

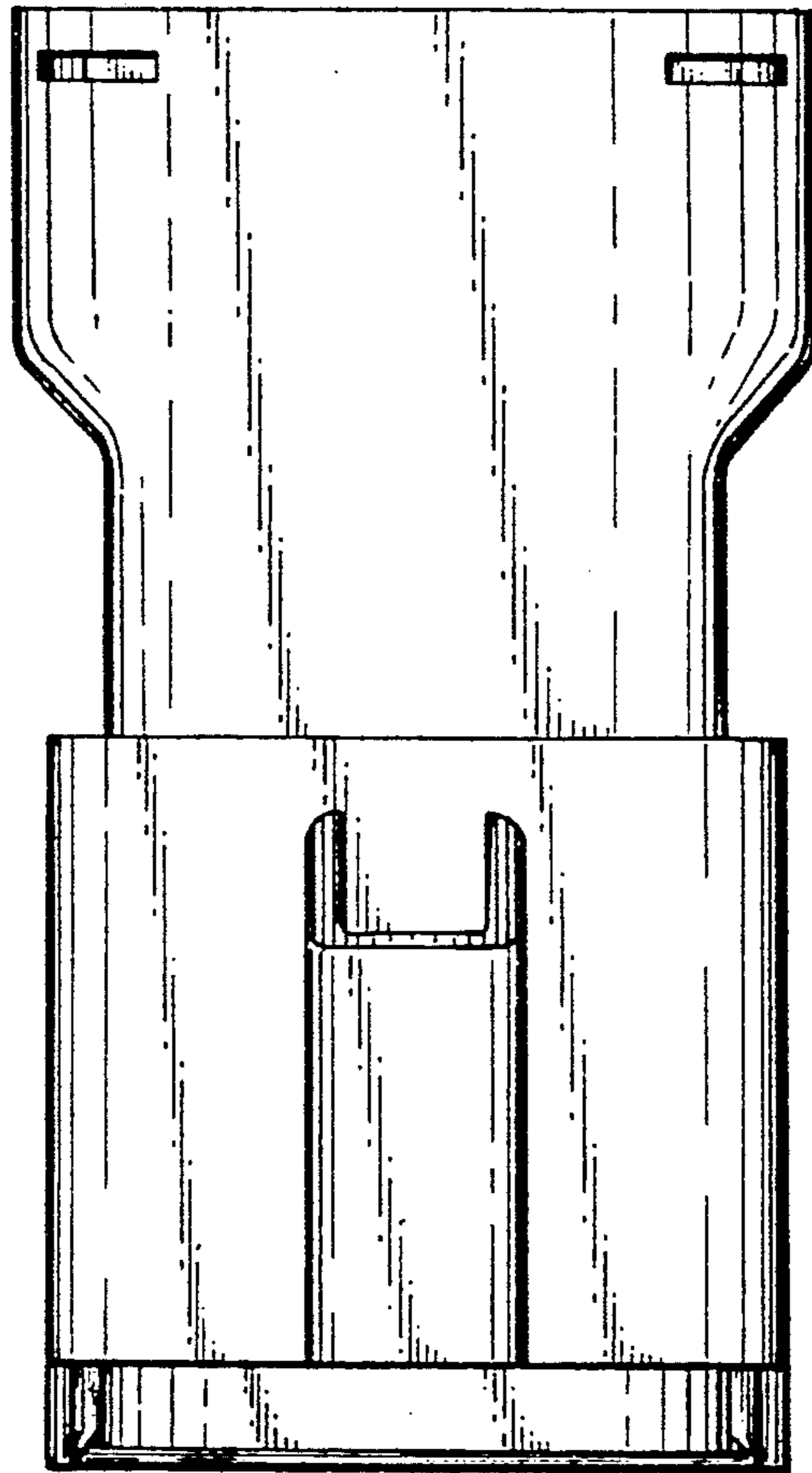


FIG. 2

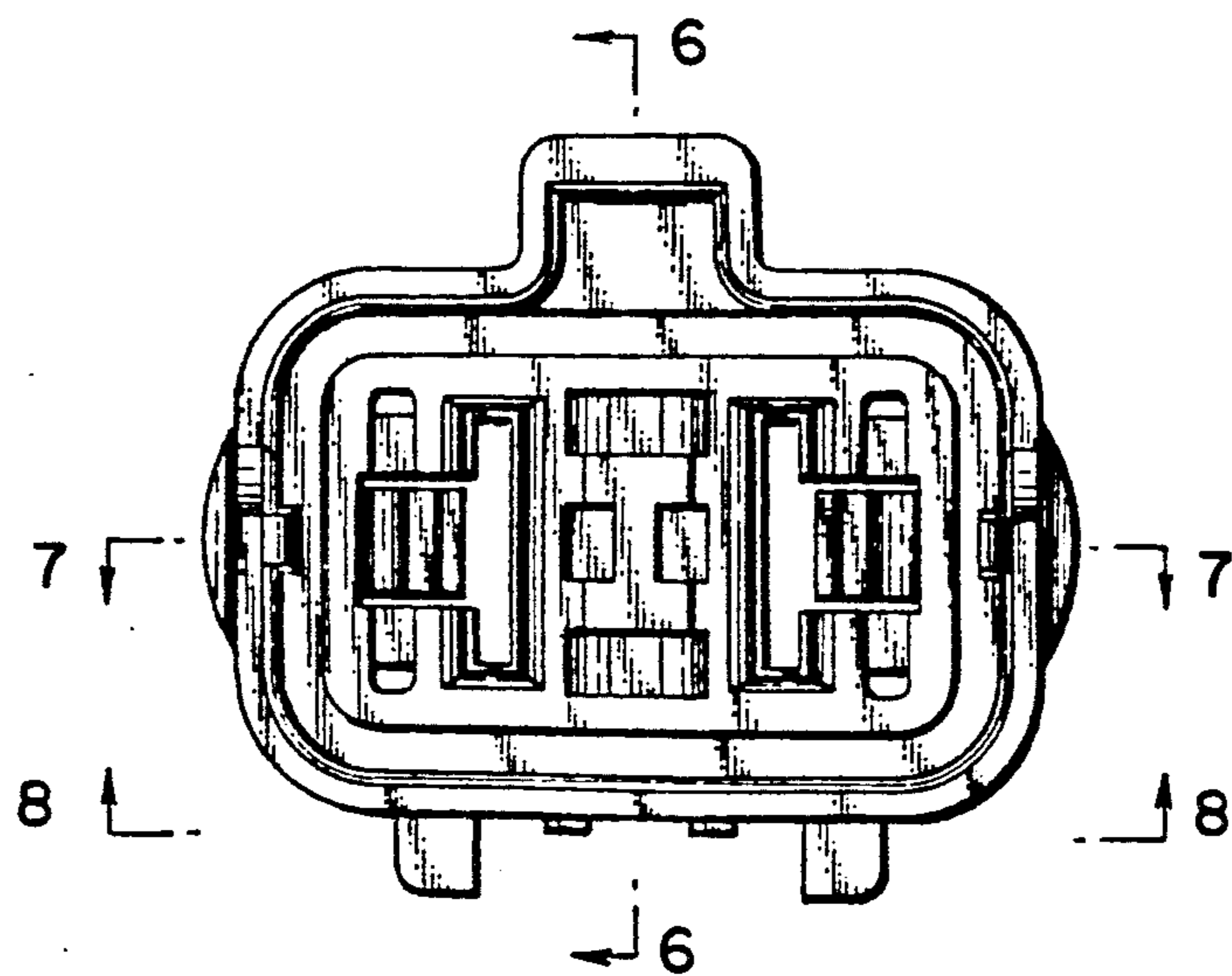


FIG. 3

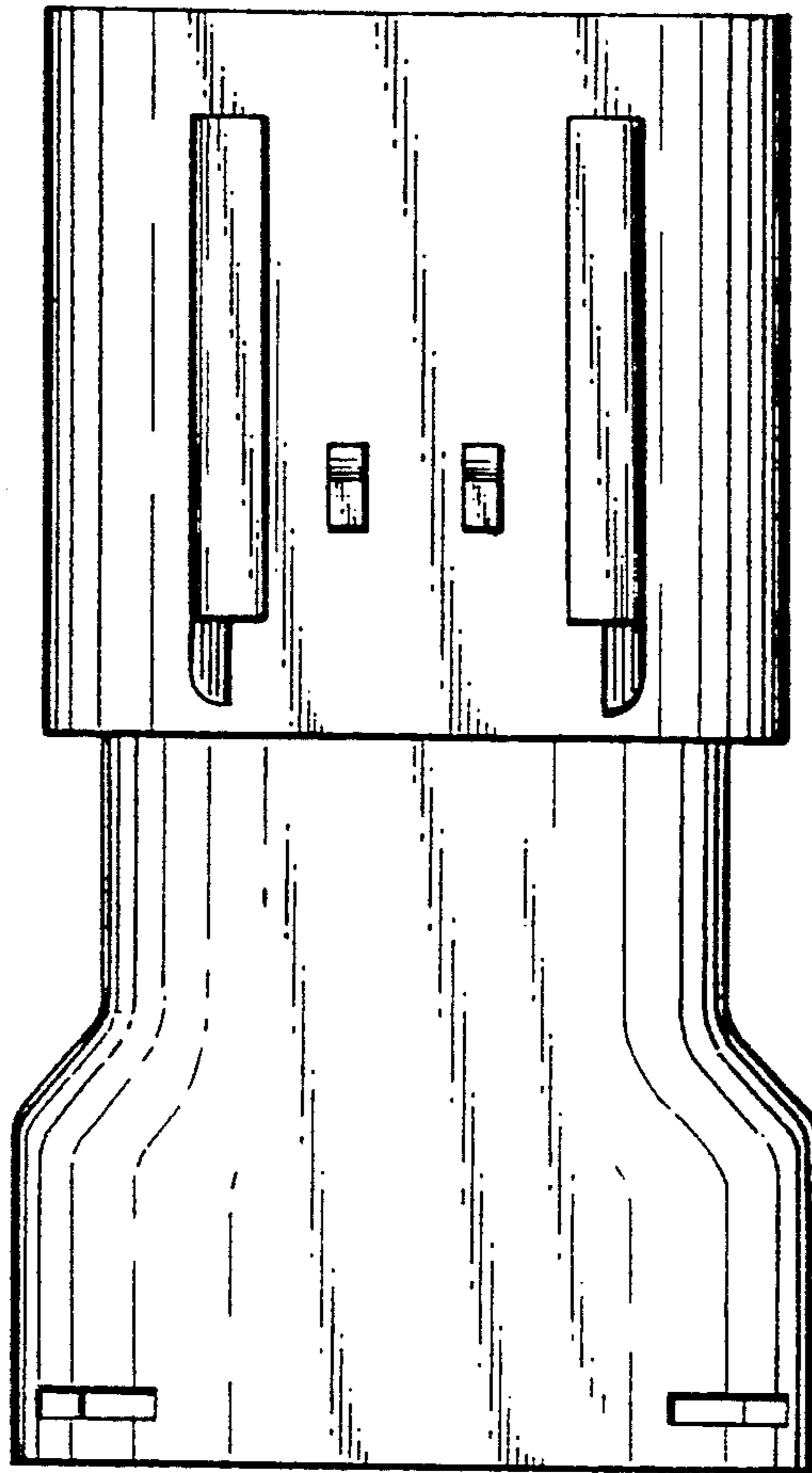


FIG. 4

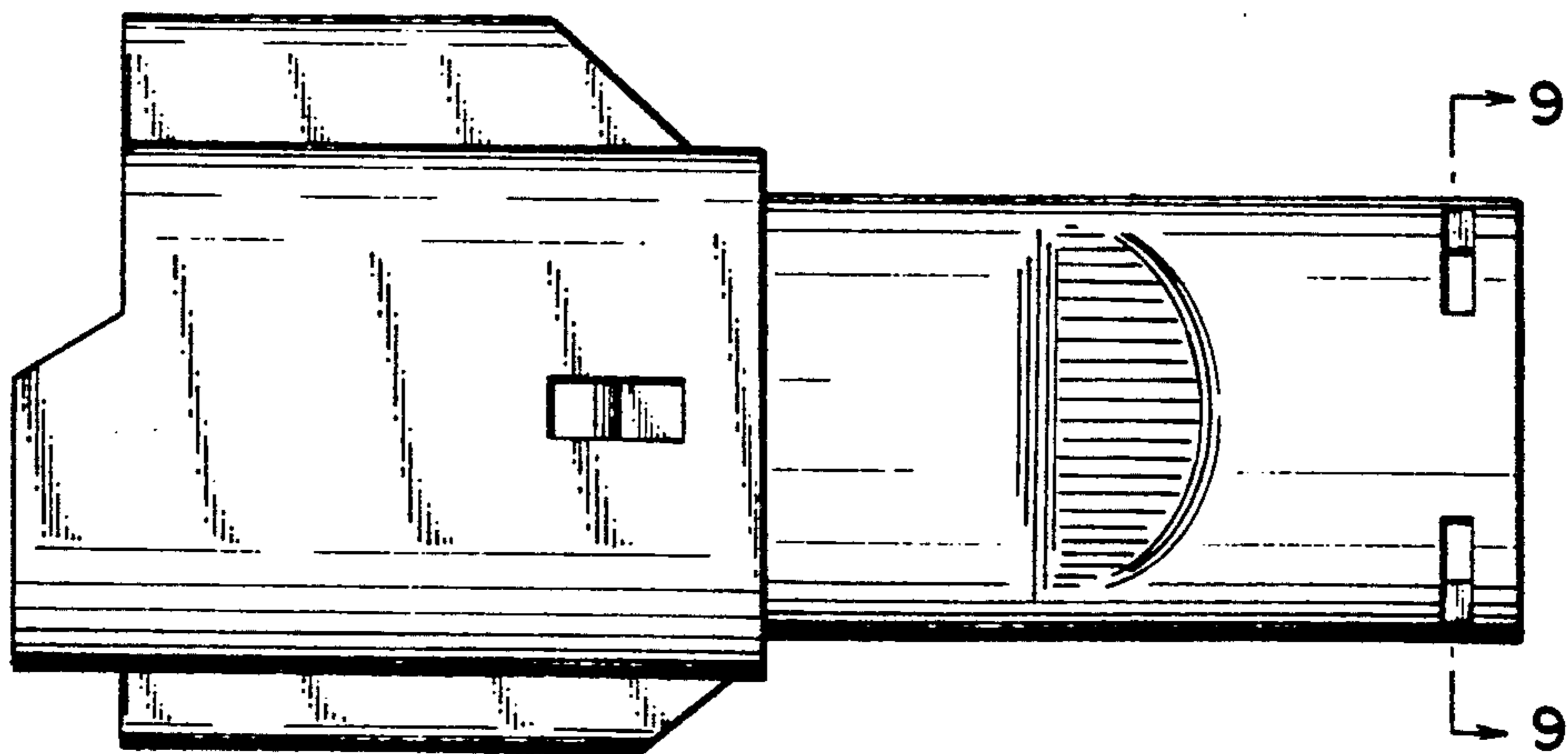


FIG. 5

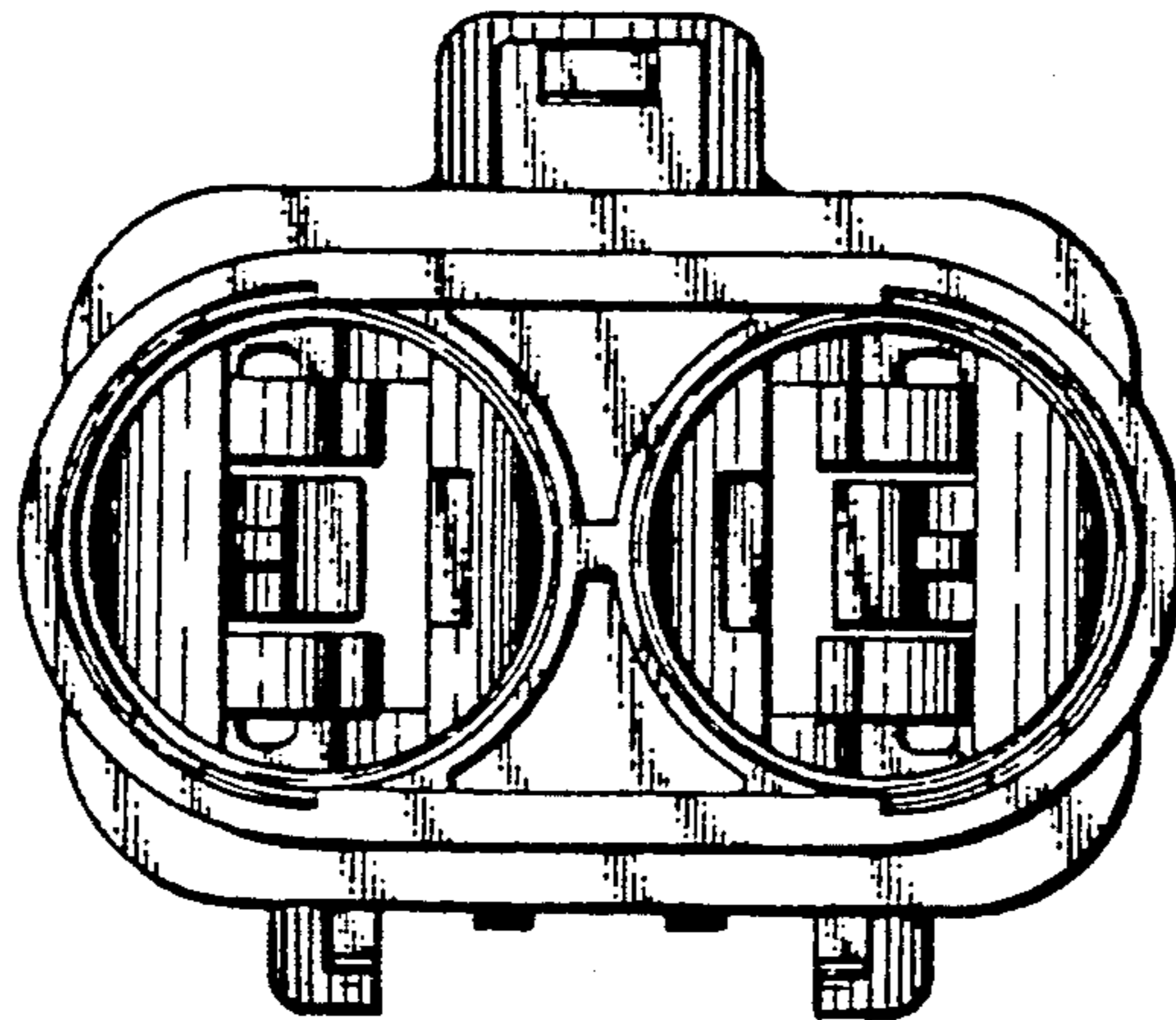


FIG. 6

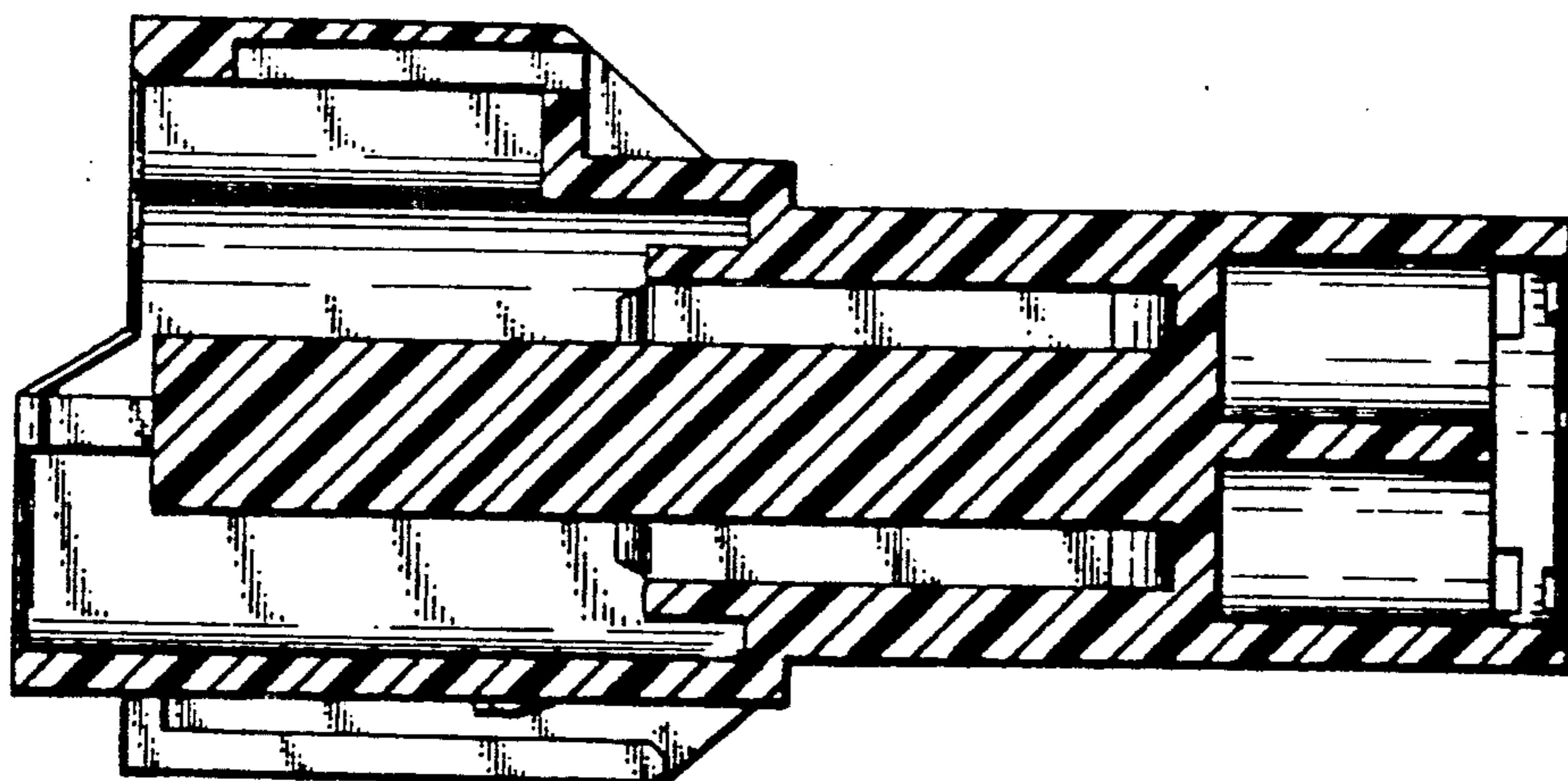


FIG. 7

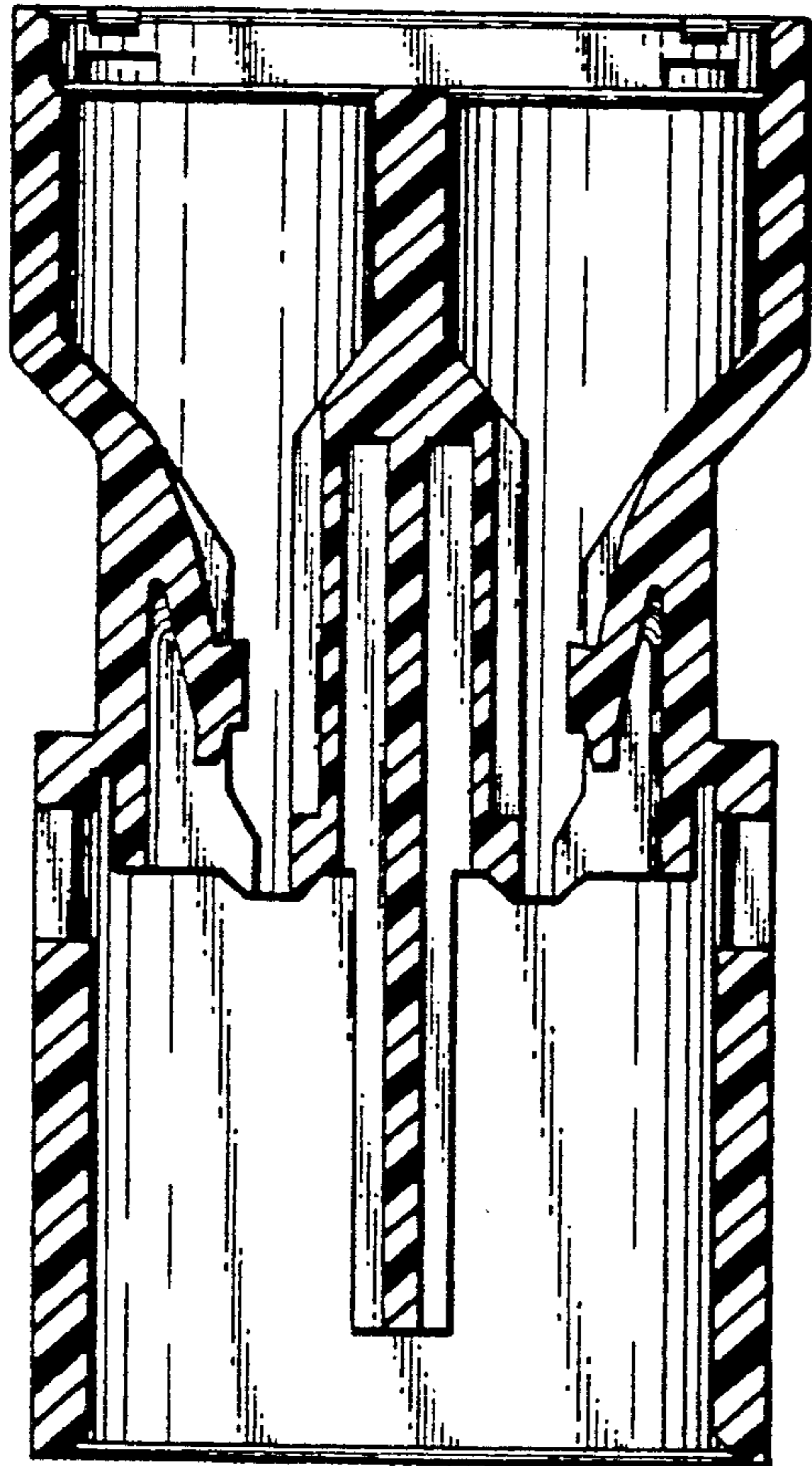


FIG. 8

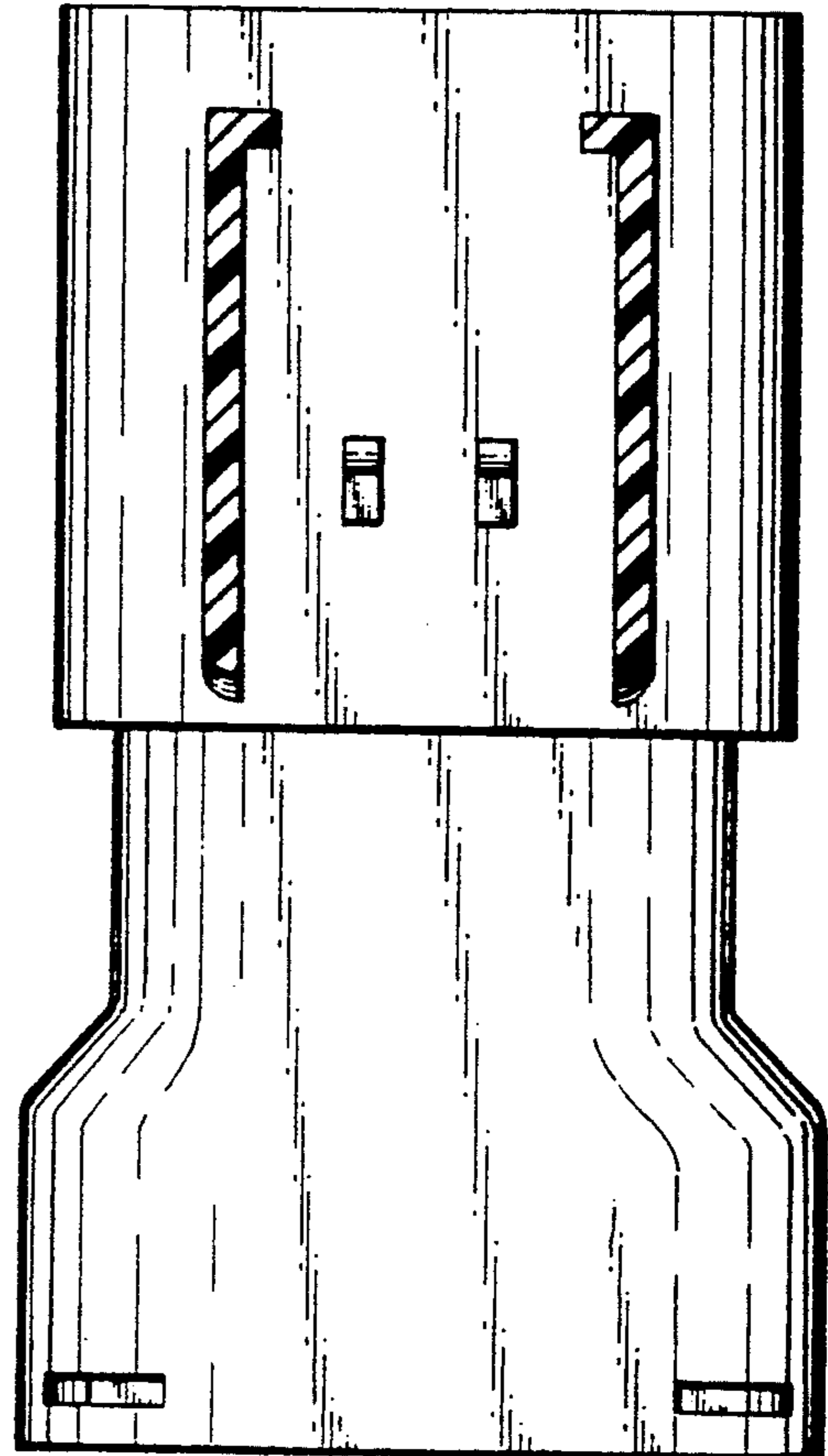
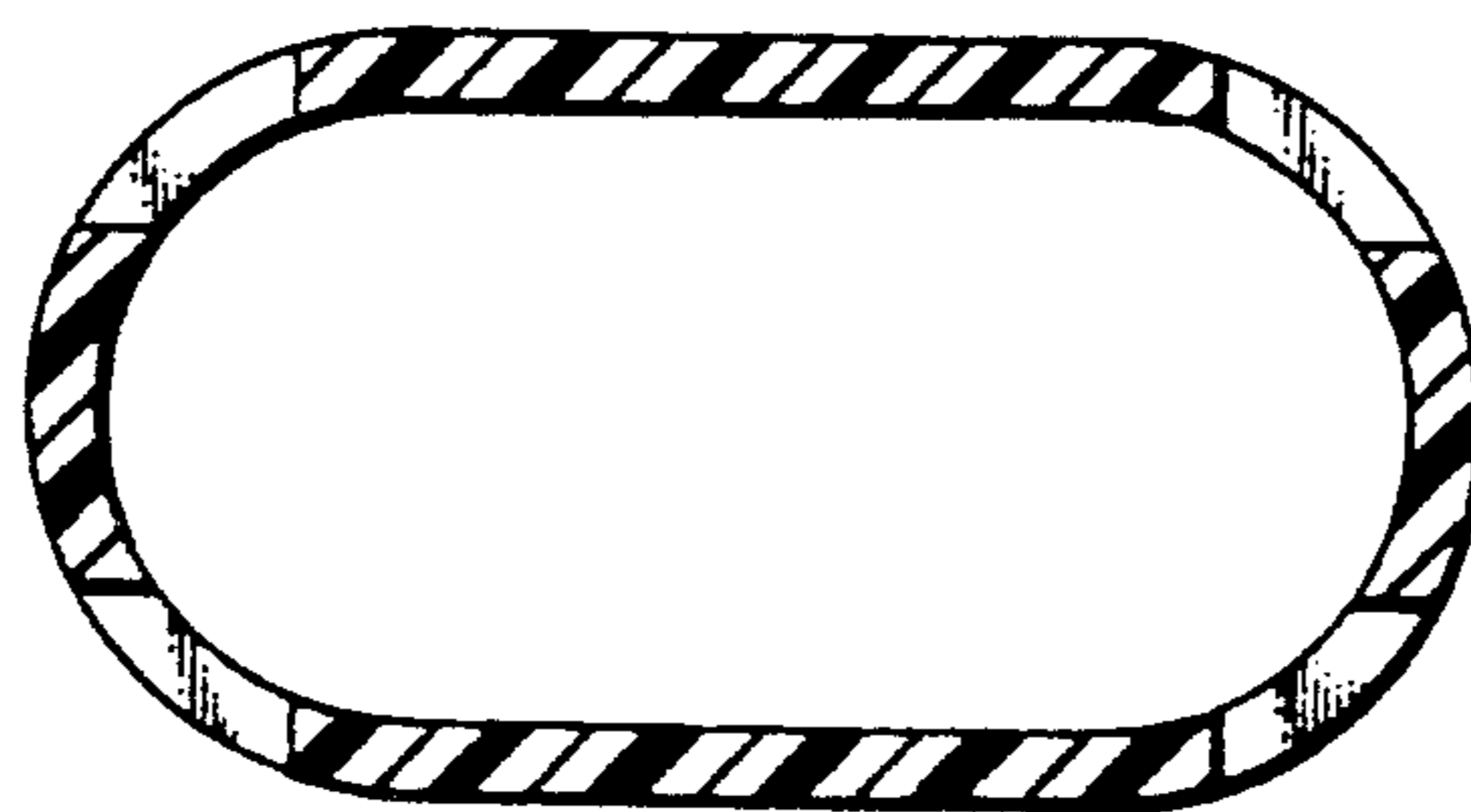


FIG. 9



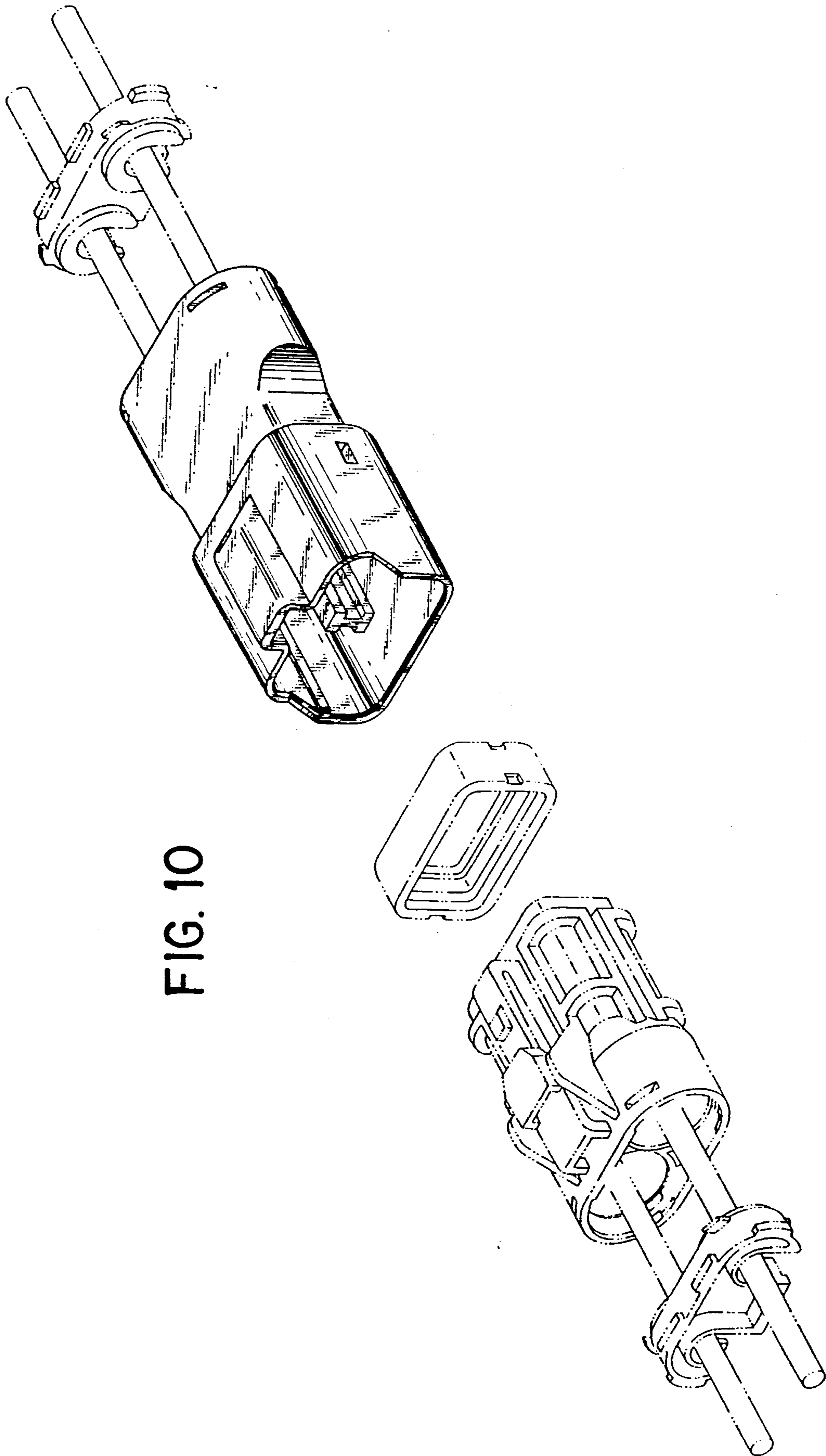


FIG. 10