



US00D327669S

# United States Patent [19]

Sakamoto et al.

[11] Patent Number: **Des. 327,669**

[45] Date of Patent: **\*\* Jul. 7, 1992**

[54] **BATTERY CHARGER**

[75] Inventors: **Masakazu Sakamoto, Tokyo; Noboru Nakanishi, Hiroshima, both of Japan**

[73] Assignee: **Ryobi Ltd., Hiroshima, Japan**

[\*\*] Term: **14 Years**

[21] Appl. No.: **481,463**

[22] Filed: **Feb. 15, 1990**

[30] **Foreign Application Priority Data**

Oct. 24, 1989 [JP] Japan ..... 1-39025

[52] U.S. Cl. .... **D13/108**

[58] Field of Search ..... D13/107, 108; 320/2, 320/3

[56] **References Cited**

**U.S. PATENT DOCUMENTS**

- D. 276,149 10/1984 Eckmann et al. .... D13/107
- D. 313,004 12/1990 Hasegawa et al. .... D13/108
- D. 321,337 11/1991 Sakamoto et al. .... D13/108
- 4,829,226 5/1989 Nakamura et al. .... 320/2 X

**FOREIGN PATENT DOCUMENTS**

- 590274 9/1982 Japan .
- 590275 9/1982 Japan .

**OTHER PUBLICATIONS**

Battery Chargers on p. 149 of *Specialized Products Company Catalog*.

*Primary Examiner*—Wallace R. Burke  
*Assistant Examiner*—Joel Sincavage  
*Attorney, Agent, or Firm*—Sughrue, Mion, Zinn, Macpeak & Seas

[57] **CLAIM**

The ornamental design for a battery charger, as shown.

**DESCRIPTION**

FIG. 1 is a front, top and left side perspective view of a battery charger showing our new design; FIG. 2 is a front elevational view thereof; FIG. 3 is a top plan view thereof; FIG. 4 is a left side elevational view thereof; FIG. 5 is a right side elevational view thereof; FIG. 6 is a rear elevational view thereof; and, FIG. 7 is a bottom plan view thereof.

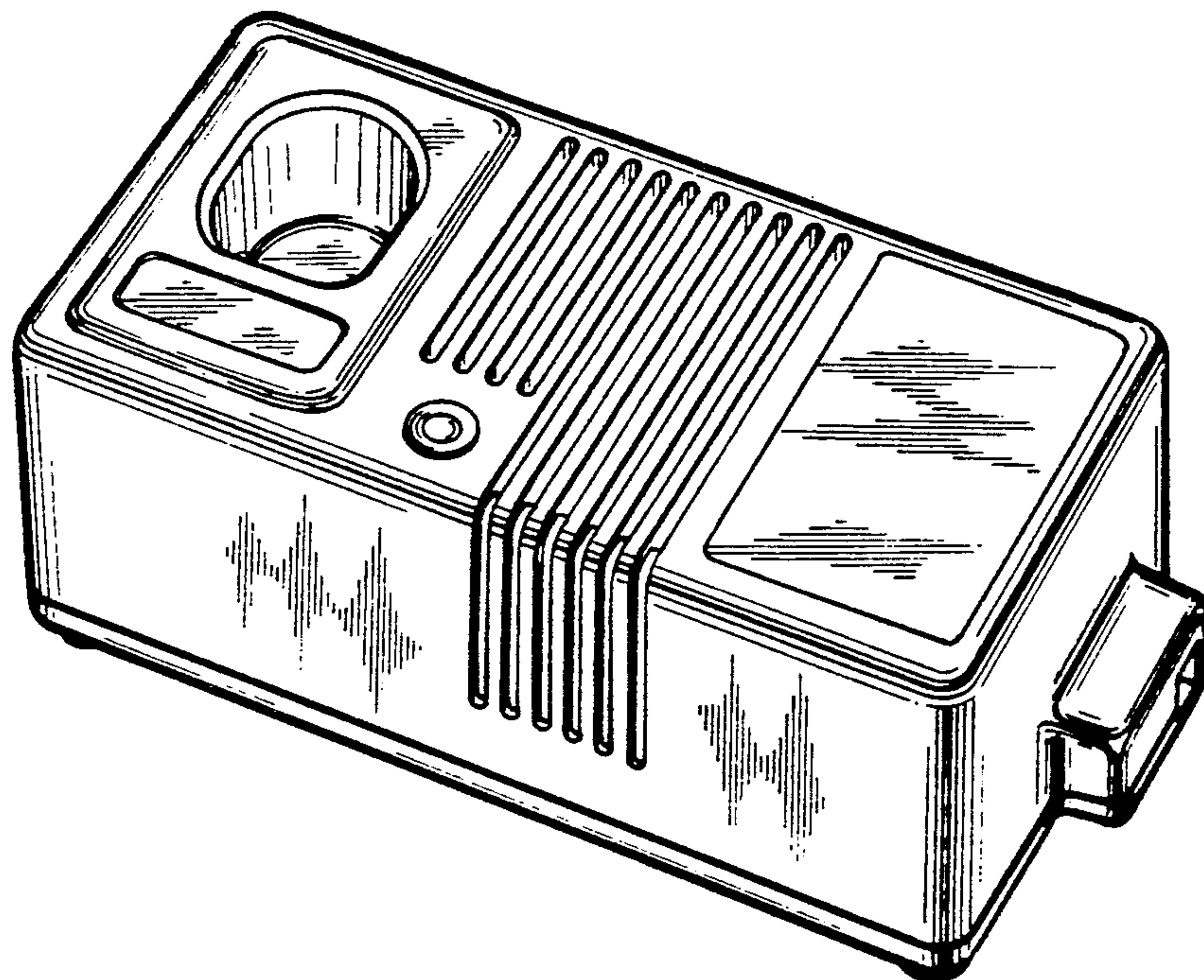


FIG. 1

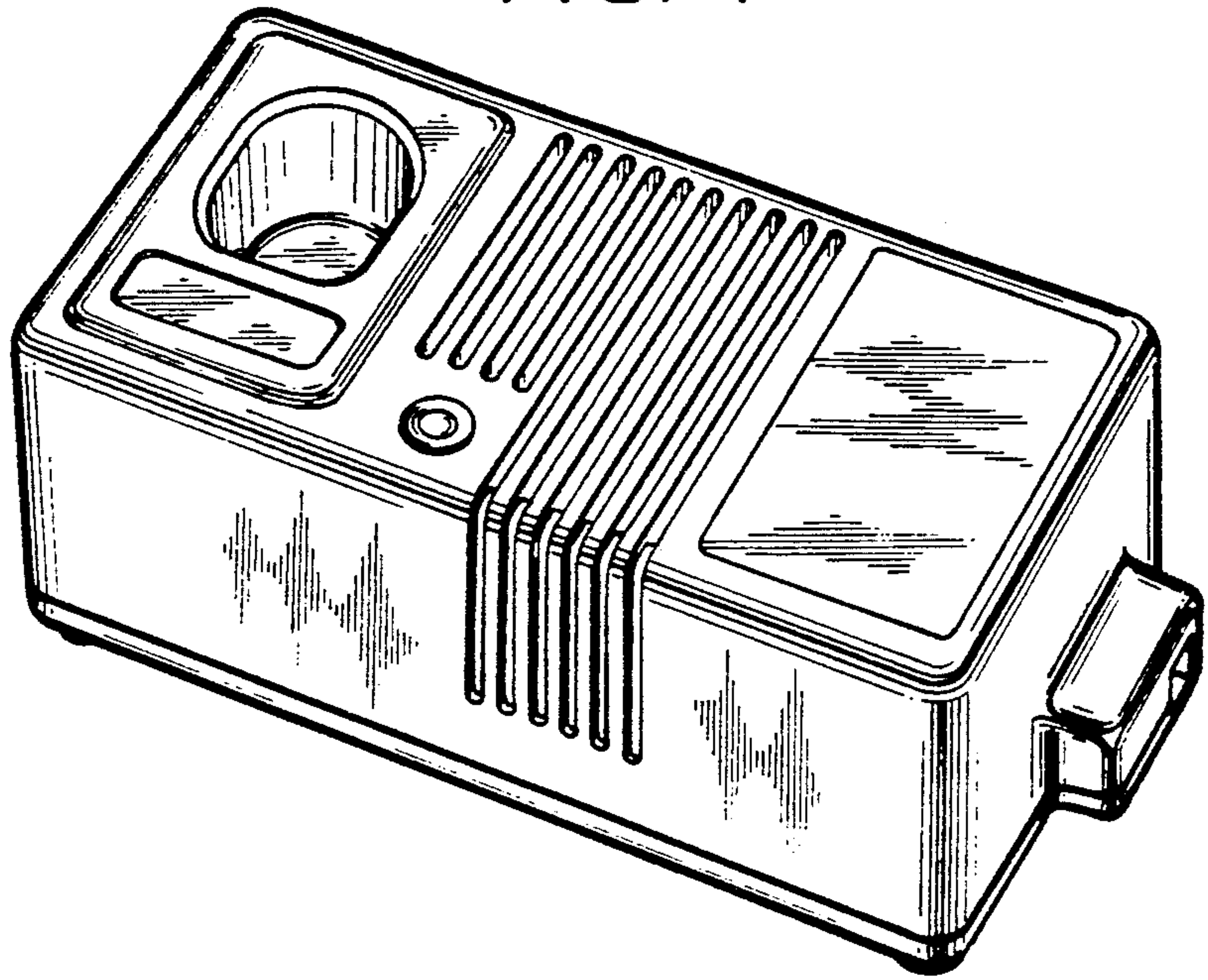


FIG. 2

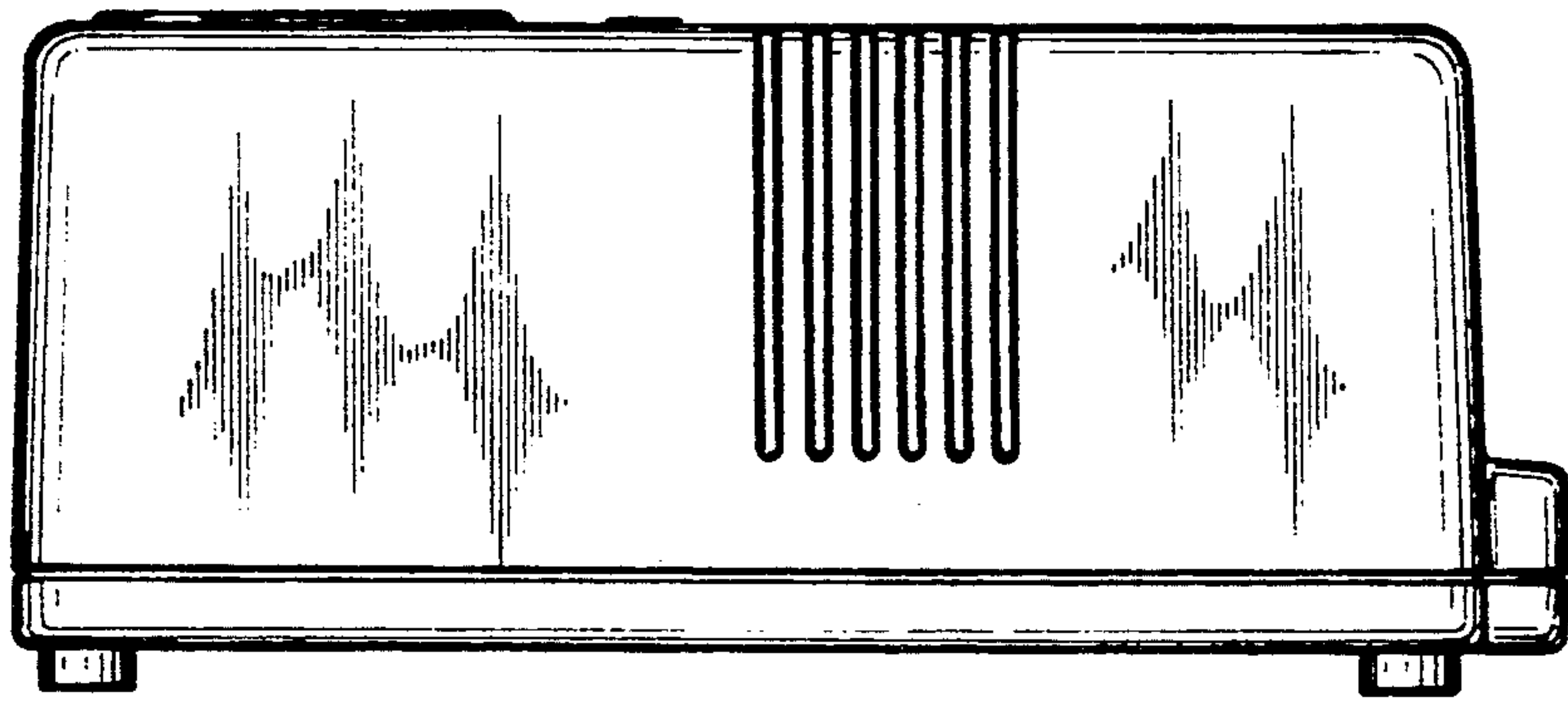


FIG. 3

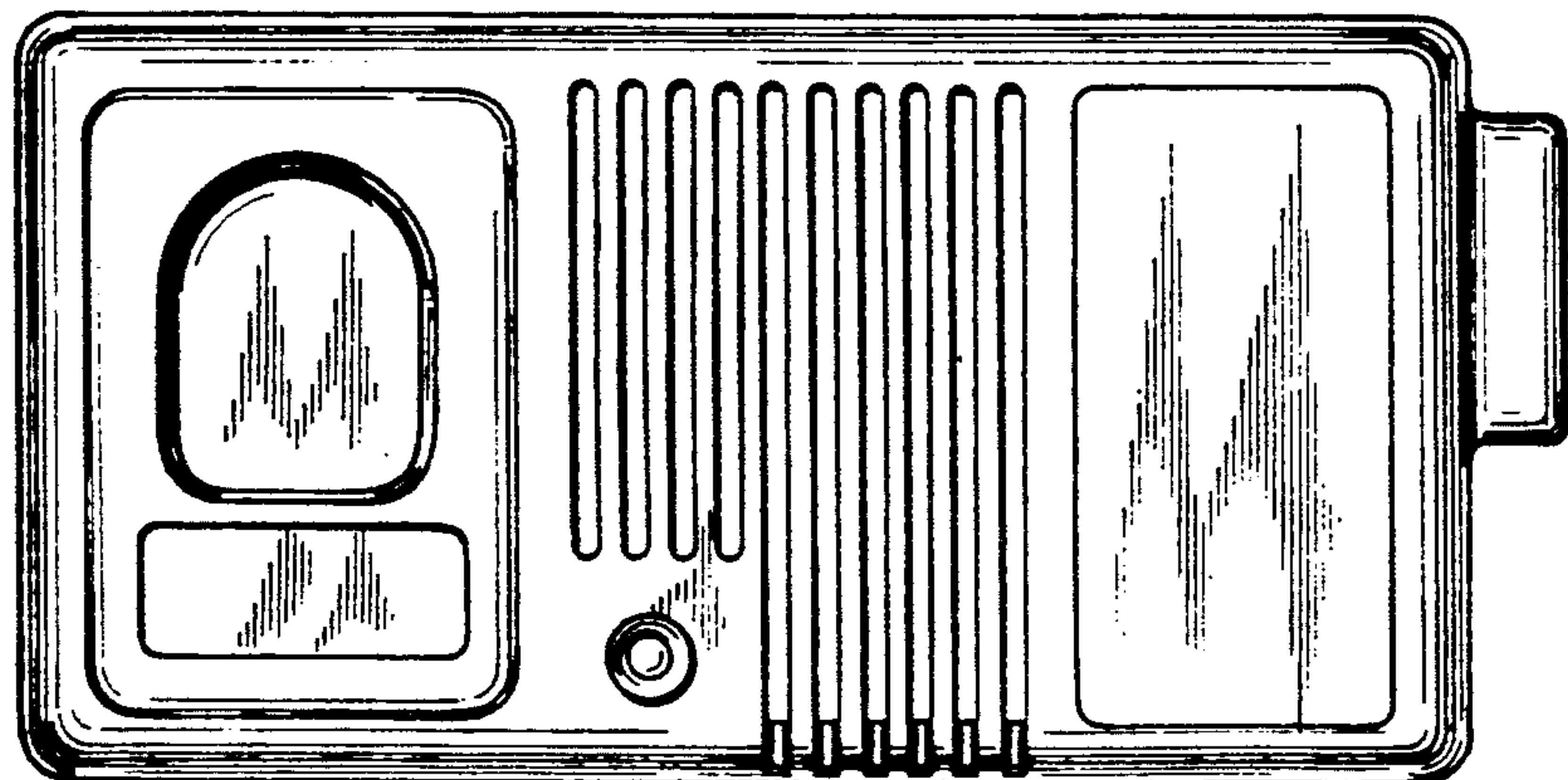


FIG. 4

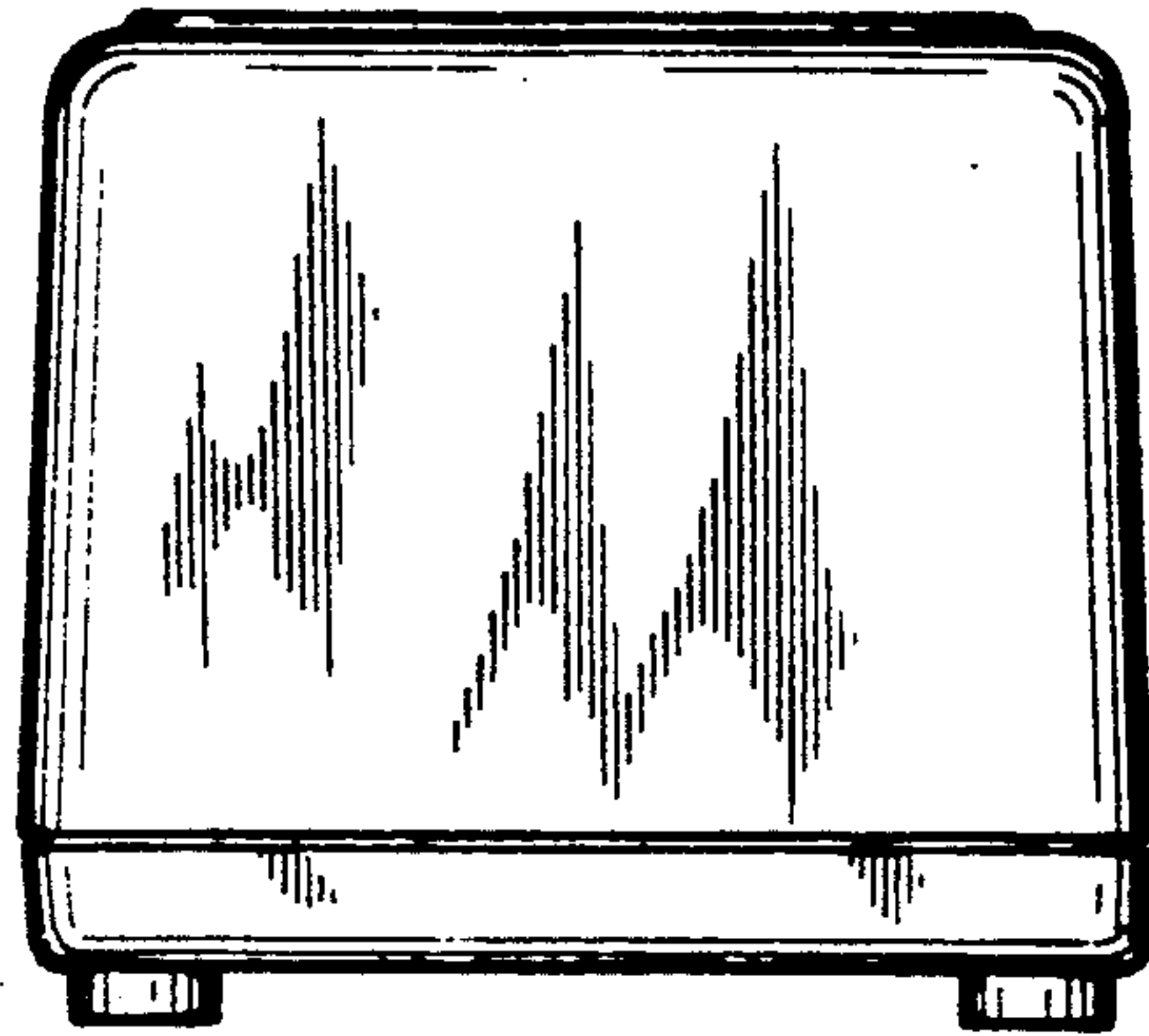


FIG. 5

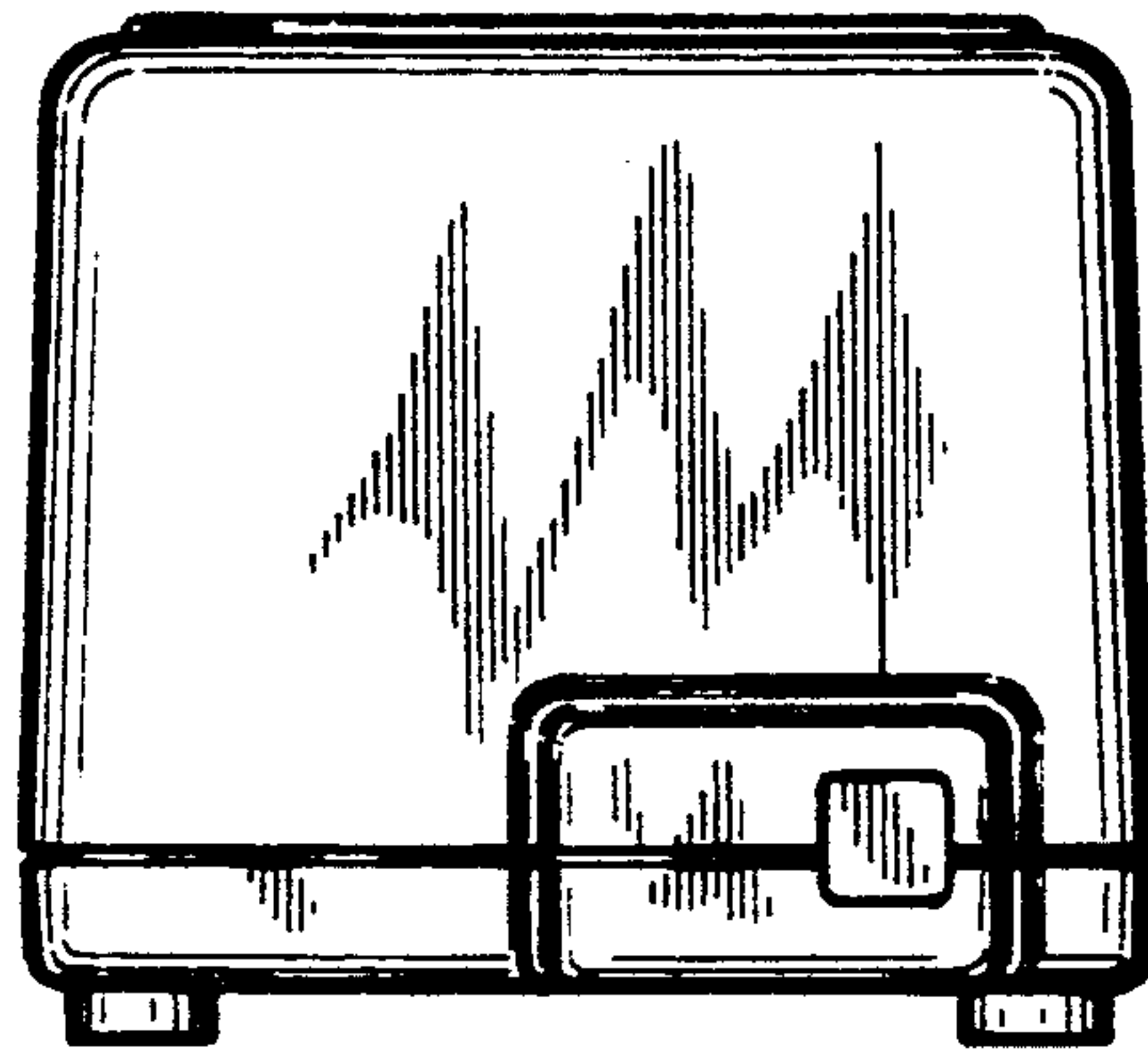


FIG. 6

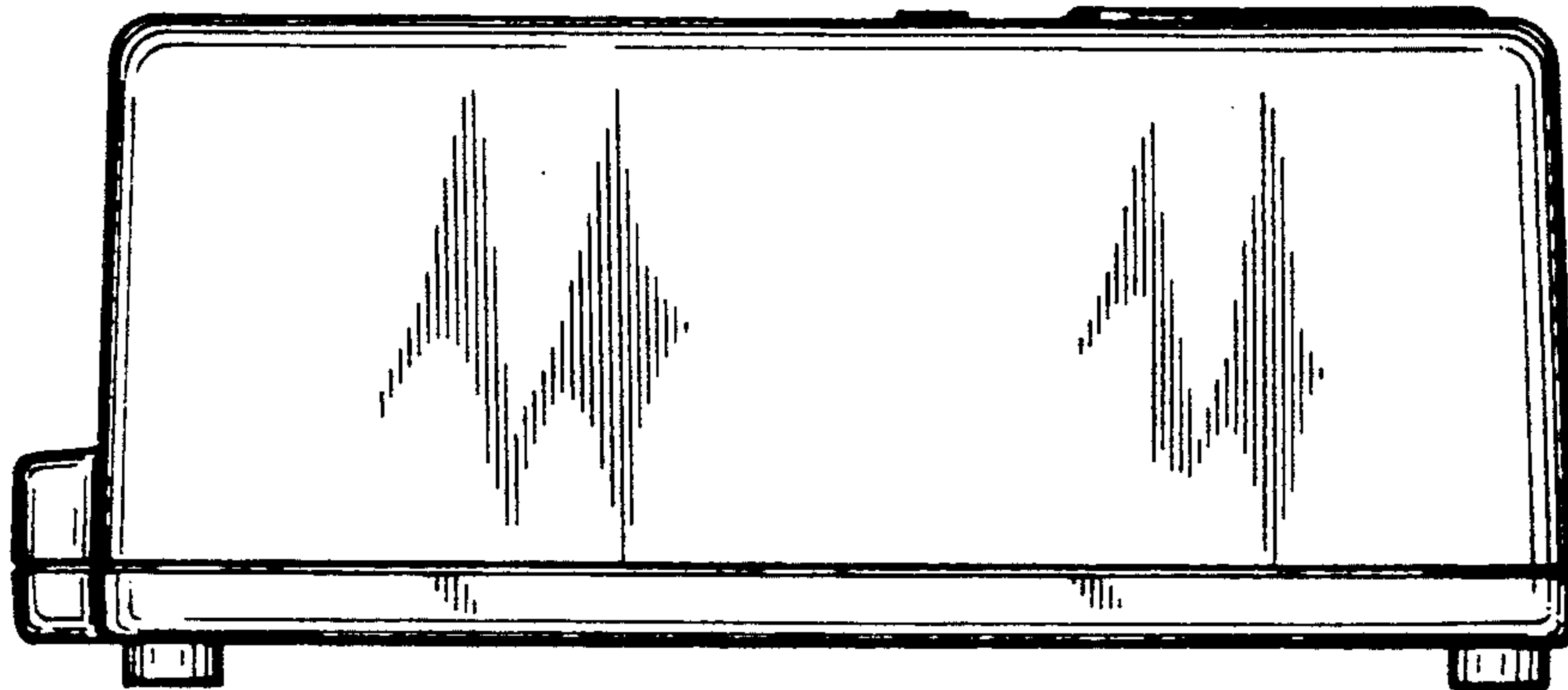


FIG. 7

