



US00D327668S

United States Patent [19]

[11] Patent Number: **Des. 327,668**

Abele

[45] Date of Patent: **** Jul. 7, 1992**

[54] **COMBINED COVER AND ARTICLE CARRIER FOR THE BED OF A PICKUP TRUCK**

Attorney, Agent, or Firm—Laubscher, Presta & Laubscher

[75] Inventor: **Larry Abele, Cerritos, Calif.**

[57] **CLAIM**

[73] Assignee: **Isuzu Motors Limited, Japan**

The ornamental design for a combined cover and article carrier for the bed of a pickup truck, as shown and described.

[**] Term: **14 Years**

DESCRIPTION

[21] Appl. No.: **382,327**

FIG. 1 is a perspective view of a combined cover and article carrier for the bed of a pickup truck showing my new design it being understood that the broken line showing of a pickup truck is for illustrative purposes only and forms no part of the claimed design;

[22] Filed: **Jul. 20, 1989**

FIG. 2 is an enlarged side elevation view thereof, the opposite side being a mirror image of that shown;

[30] **Foreign Application Priority Data**

Feb. 8, 1989 [JP] Japan 1-4105

FIG. 3 is an enlarged top plan view thereof;

[52] U.S. Cl. **D12/156**

FIG. 4 is an enlarged bottom plan view thereof;

[58] Field of Search D12/156, 157; 296/10, 296/99.1, 100, 102

FIG. 5 is an enlarged front elevation view thereof;

[56] **References Cited**

U.S. PATENT DOCUMENTS

D. 263,947 4/1982 Hardin D12/156

D. 312,065 11/1990 Karrer D12/156

FIG. 6 is an enlarged rear elevation view thereof;

FIG. 7 is an enlarged sectional view thereof taken along line 7—7 in FIG. 3; and,

FIG. 8 is a greatly enlarged sectional view of the structure within the circled region 8 in FIG. 7 shown in greater detail.

Primary Examiner—James M. Gandy

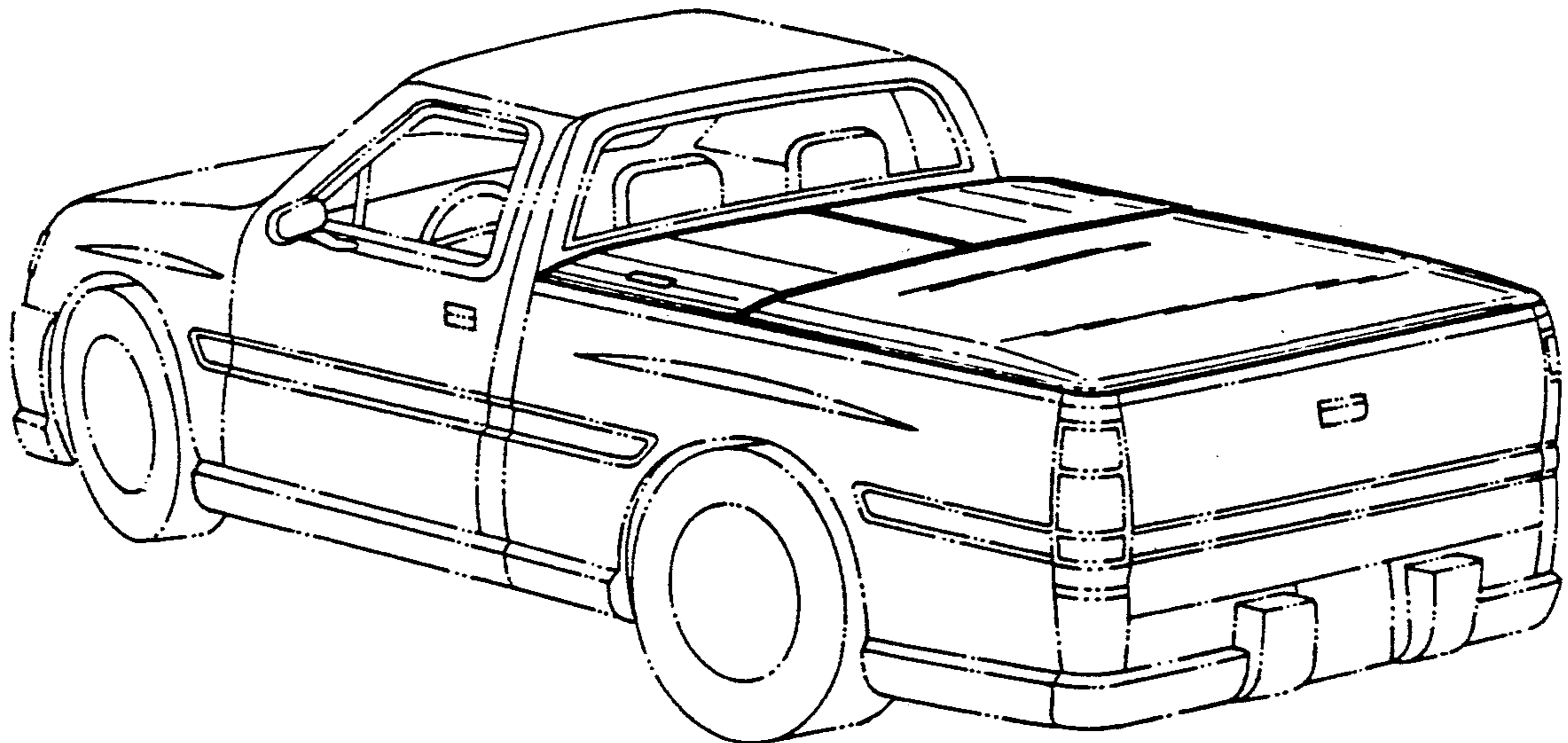


FIG. 1

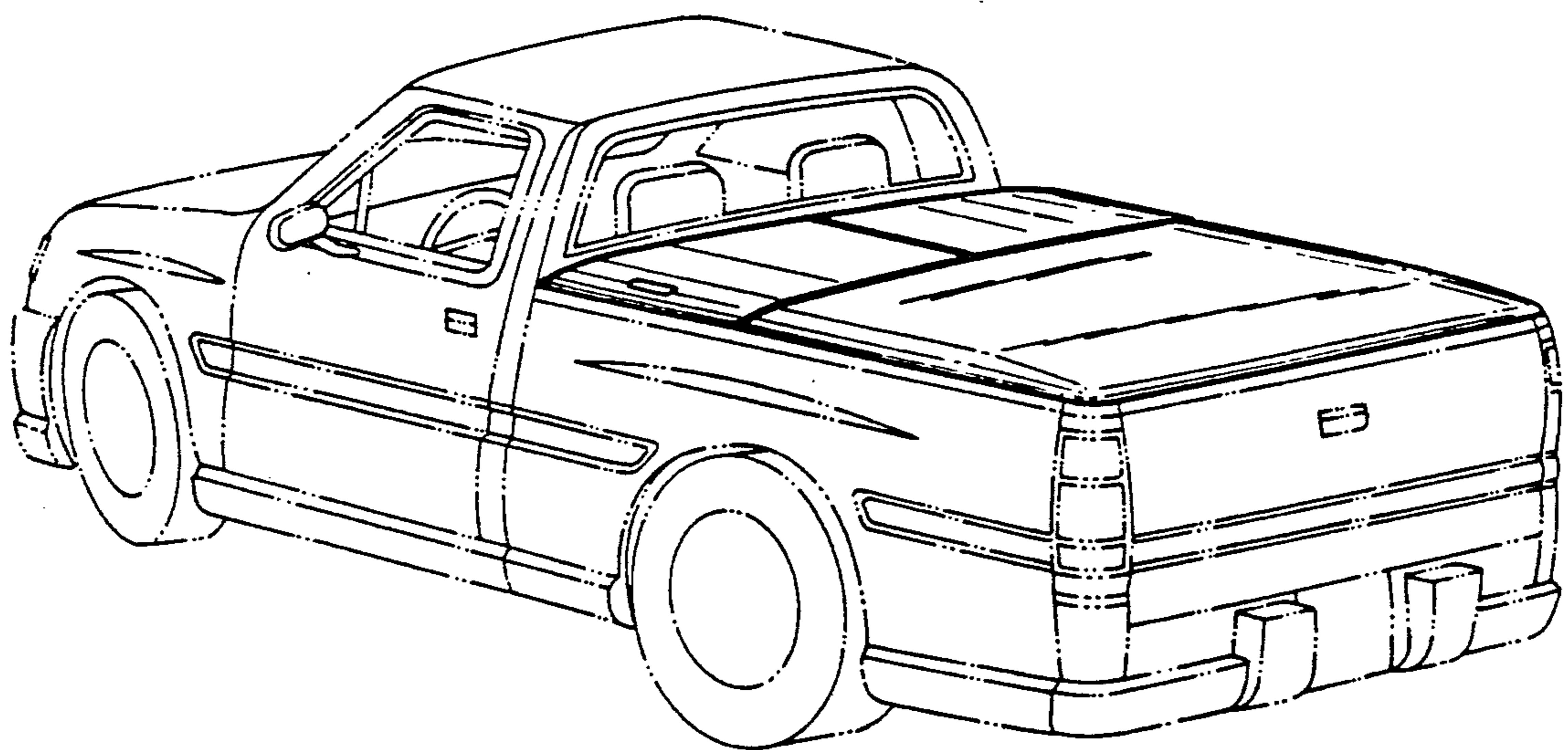


FIG. 2

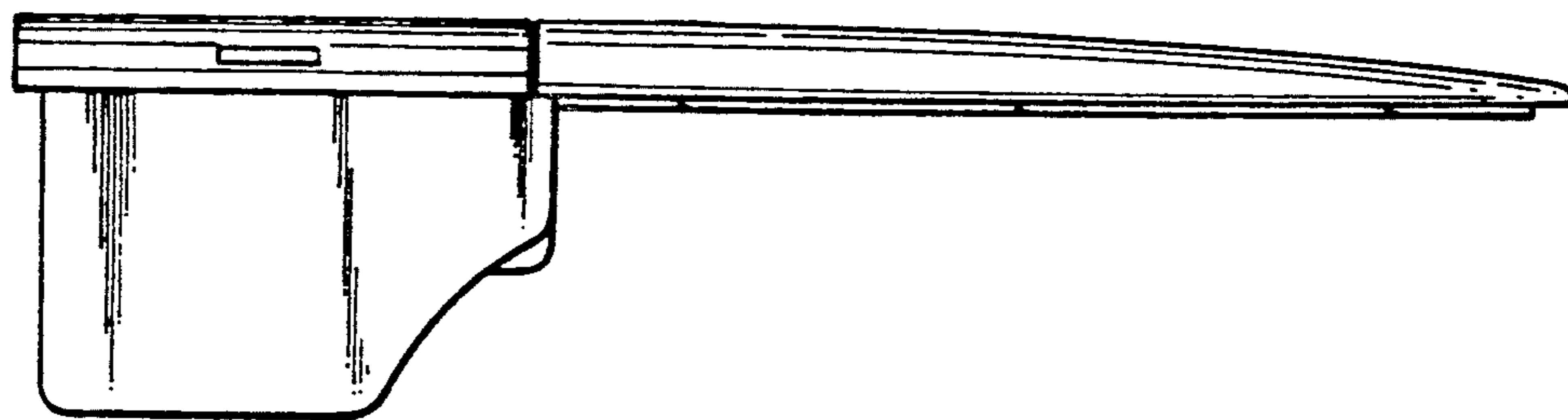


FIG. 3

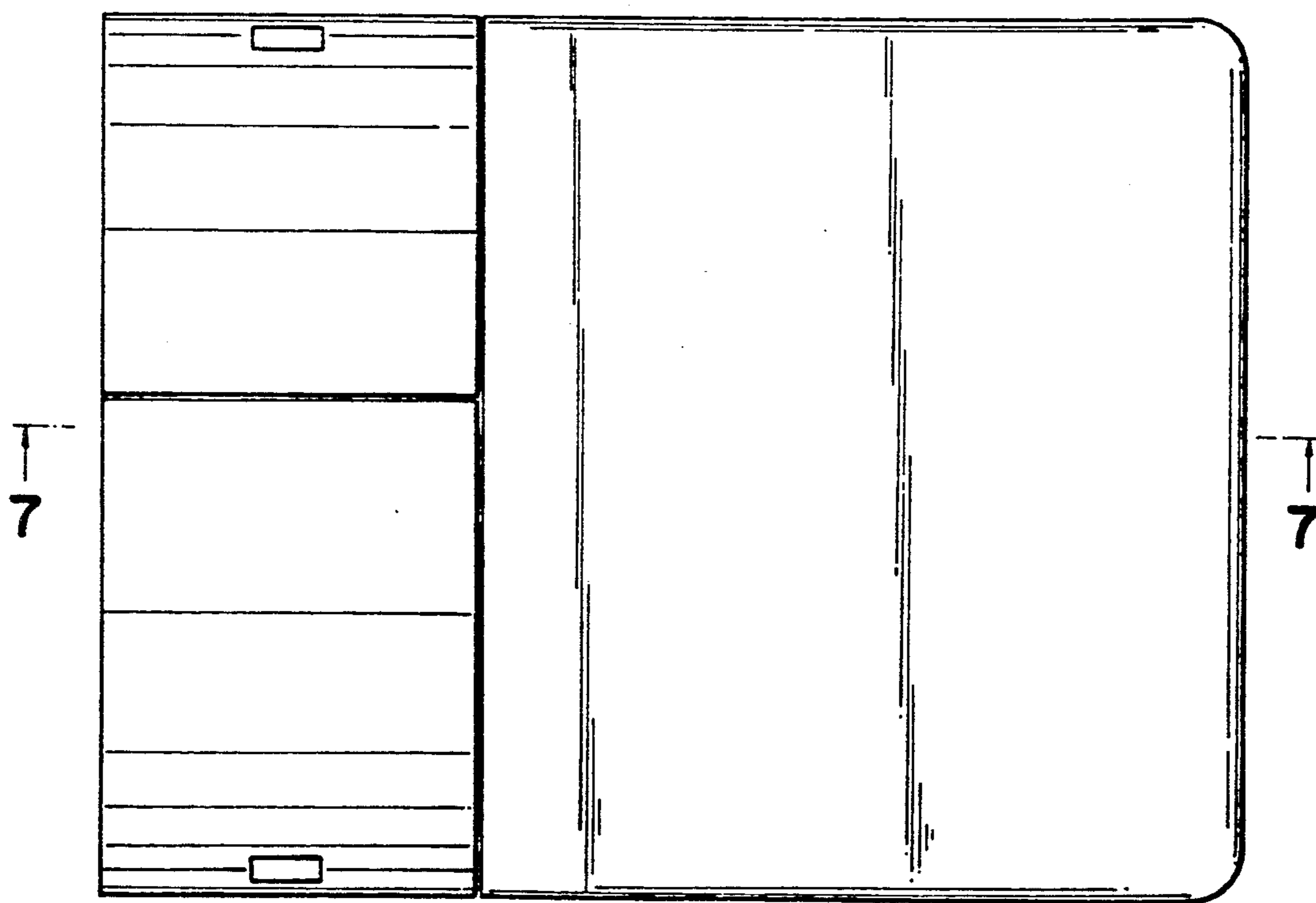


FIG. 4

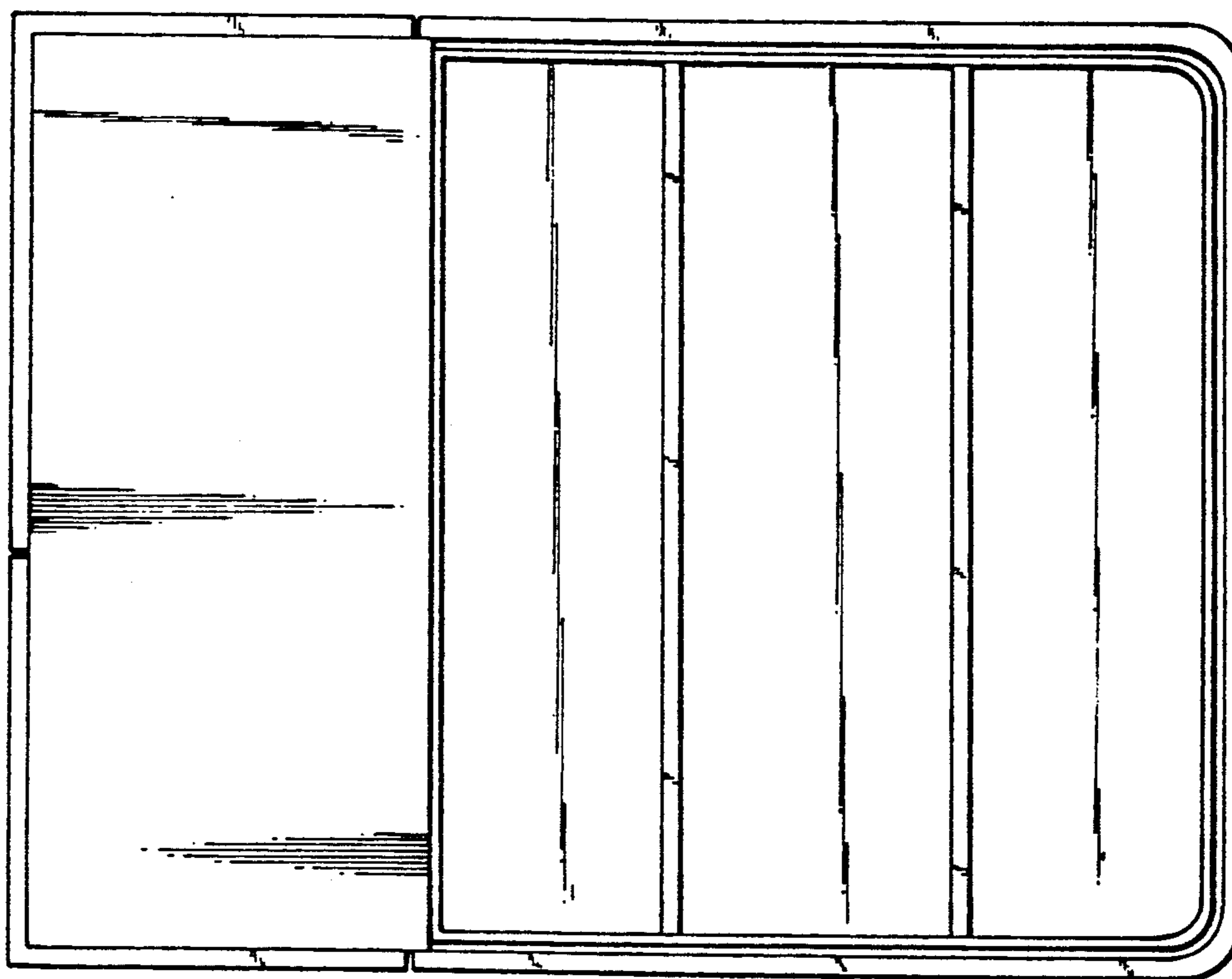


FIG. 5

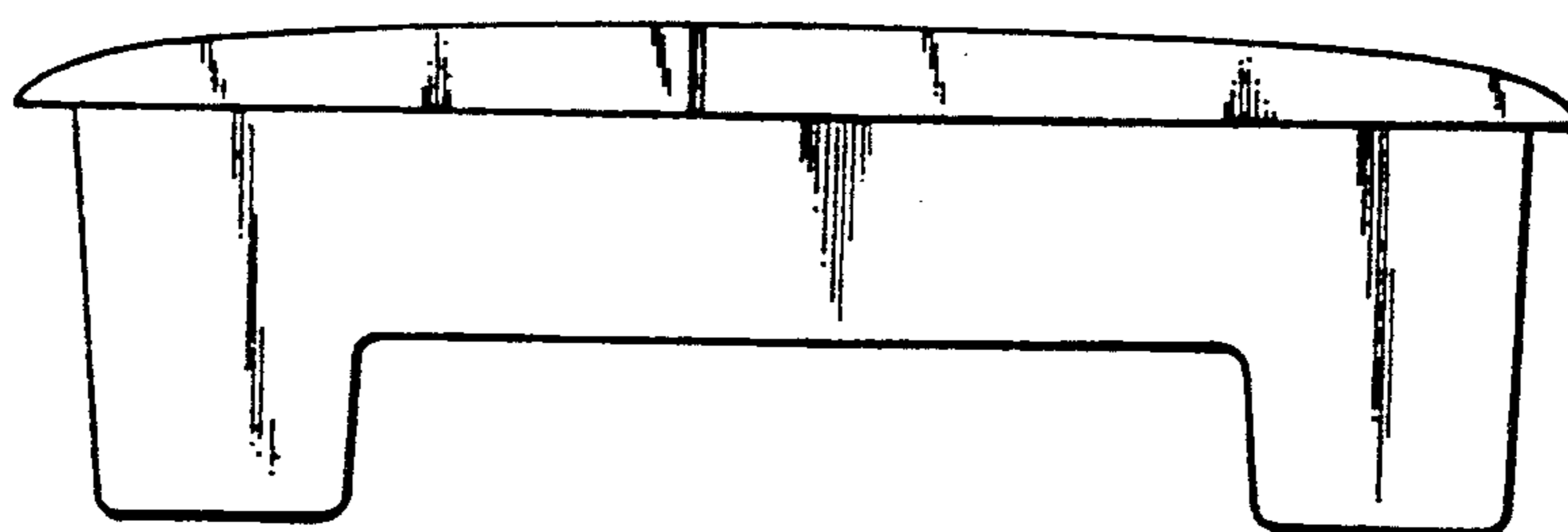


FIG. 6

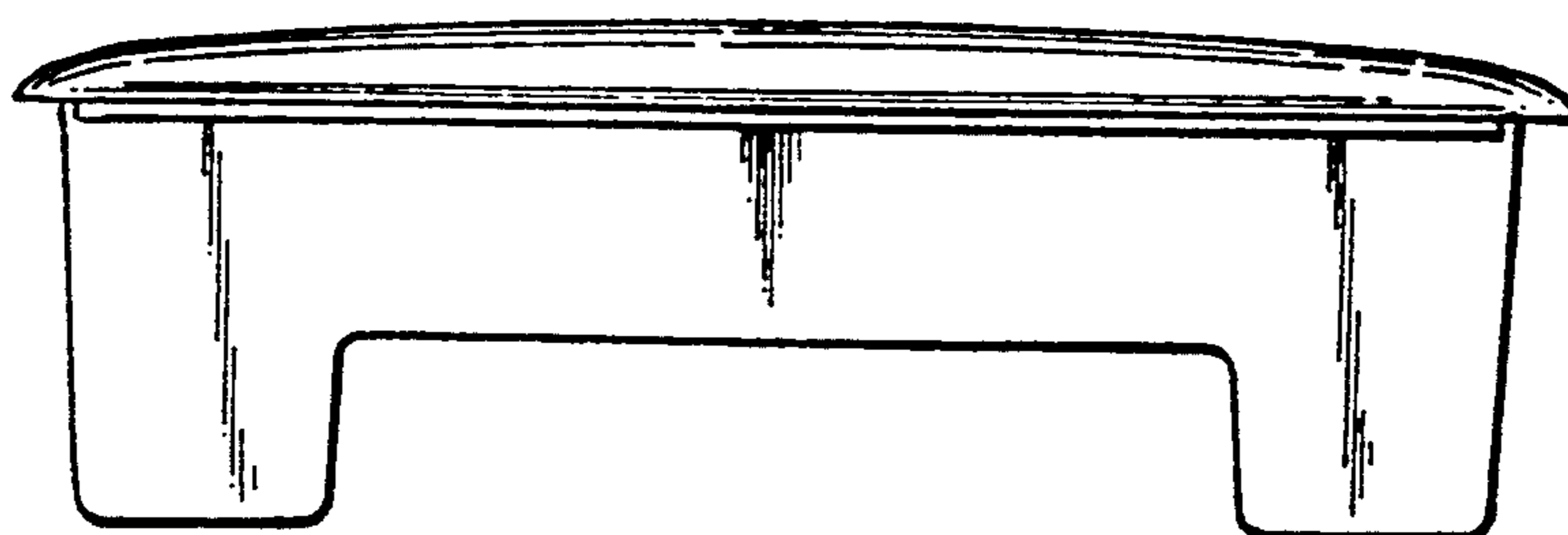


FIG. 7

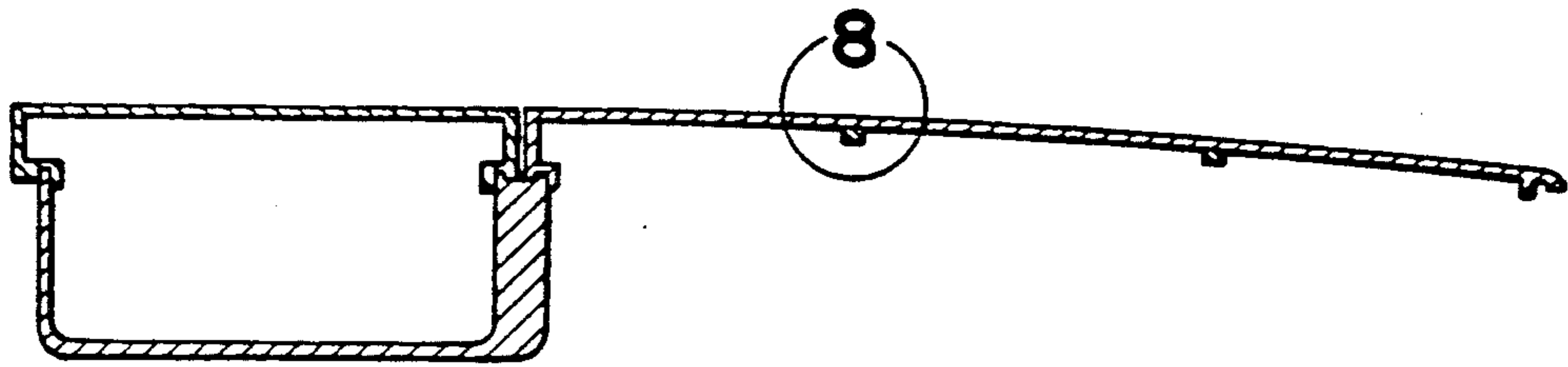


FIG. 8

