



US00D327667S

United States Patent [19]

[11] Patent Number: **Des. 327,667**

Mar

[45] Date of Patent: **** Jul. 7, 1992**

[54] **WIPER BLADE**

[76] Inventor: **Yat Mar**, 26 Madison St., New York, N.Y. 10038

[**] Term: **14 Years**

[21] Appl. No.: **528,120**

[22] Filed: **May 23, 1990**

[52] U.S. Cl. **D12/155**

[58] Field of Search **D12/155; 15/250.35, 15/250.36, 250.38, 250.41, 250.42**

[56] **References Cited**

U.S. PATENT DOCUMENTS

1,641,336 9/1927 Klapper 15/250.41

FOREIGN PATENT DOCUMENTS

67650 4/1986 Japan 15/250.41

461560 2/1937 United Kingdom 15/250.41

Primary Examiner—James M. Gandy
Attorney, Agent, or Firm—Jordan B. Bierman

[57] **CLAIM**

The ornamental design for a wiper blade, as shown and described.

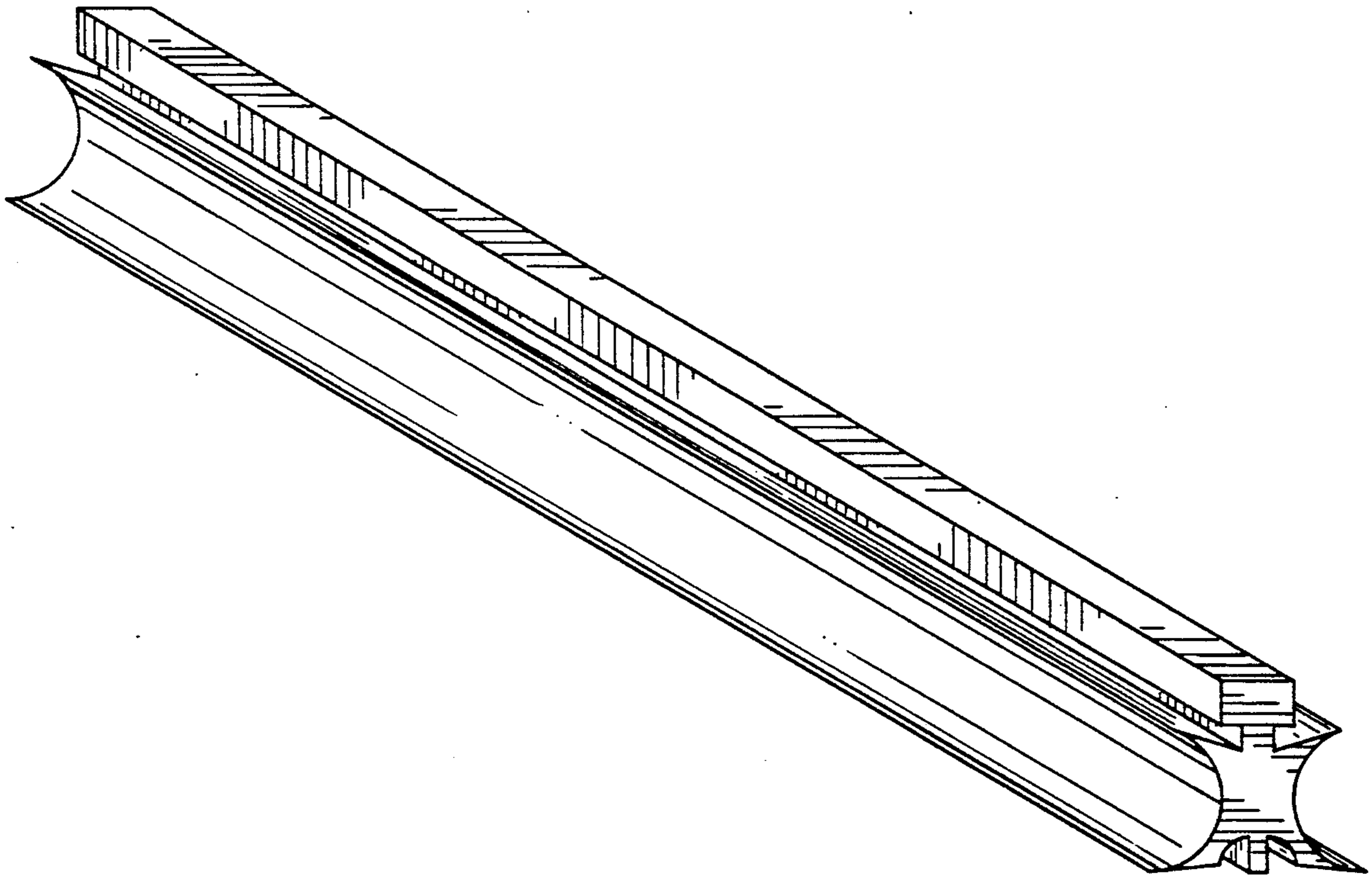
DESCRIPTION

FIG. 1 is a perspective view of a wiper blade showing my new design, the side not shown being identical to that illustrated;

FIG. 2 is an elevation view of either end thereof;

FIG. 3 is an elevation view of either end of a second embodiment of a wiper blade showing my new design; and,

FIG. 4 is a perspective view showing one side of the second embodiment it being understood that the opposite side is the same as the side of the first embodiment shown in FIG. 1.



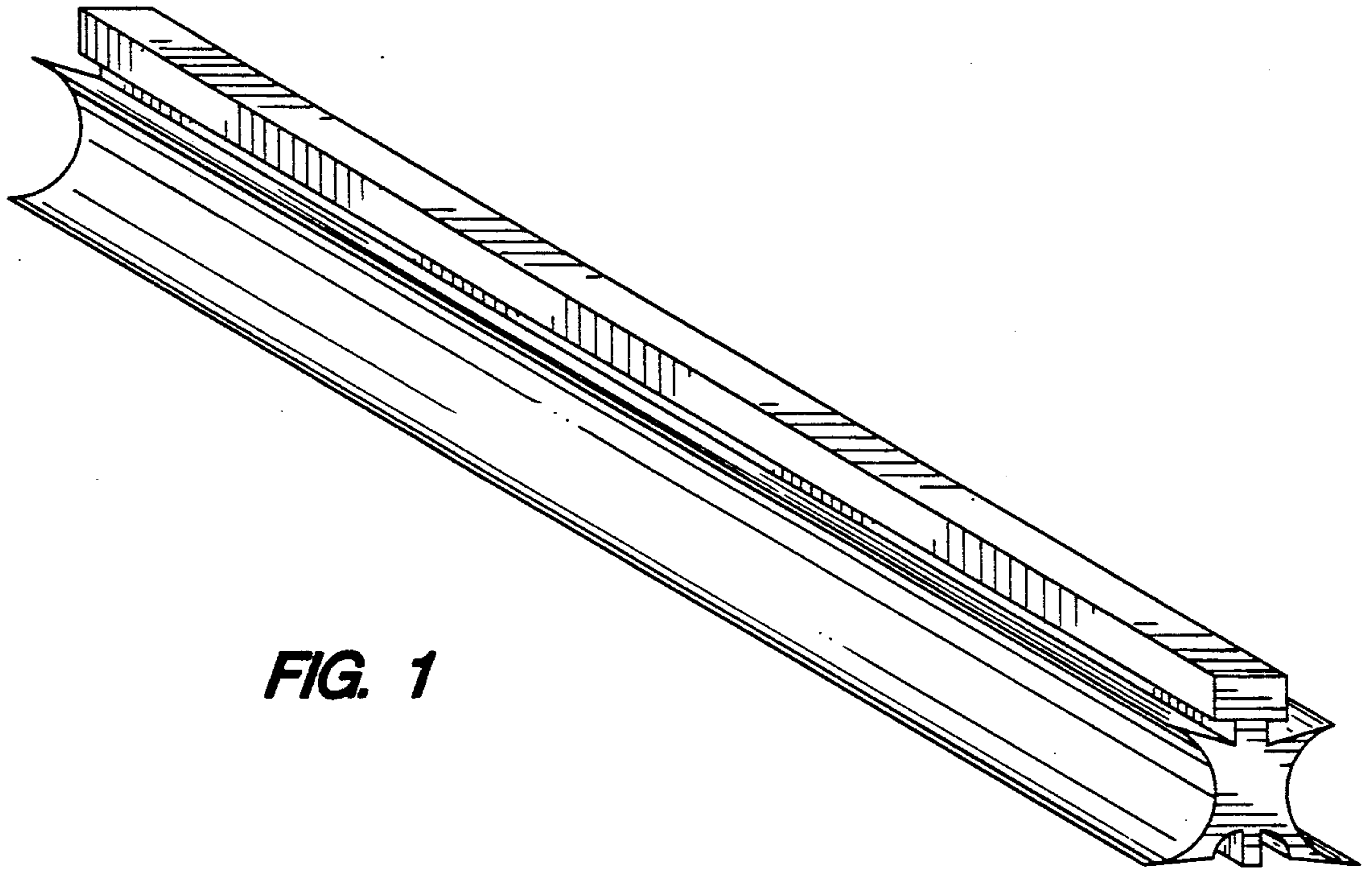


FIG. 1

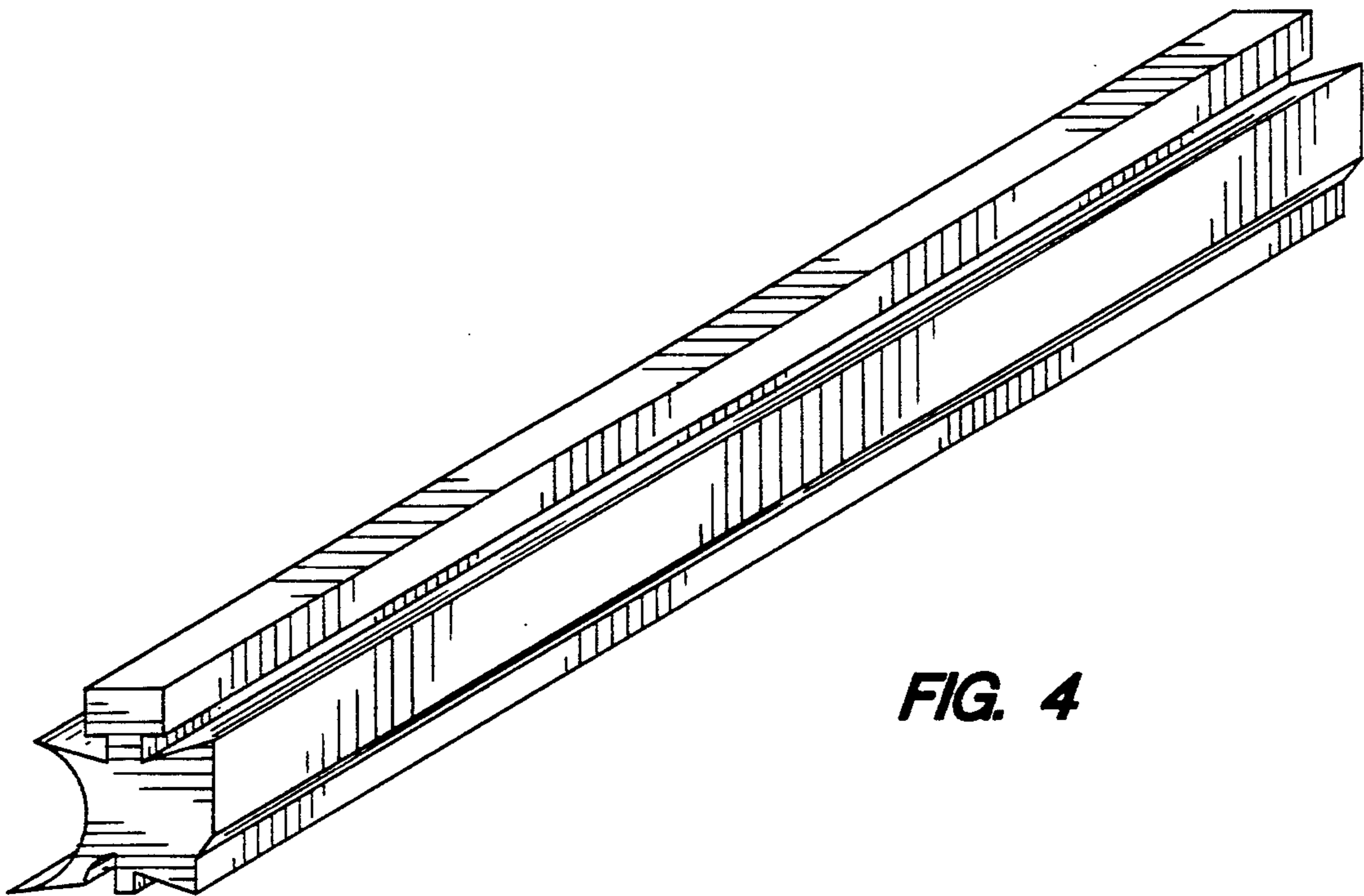


FIG. 4

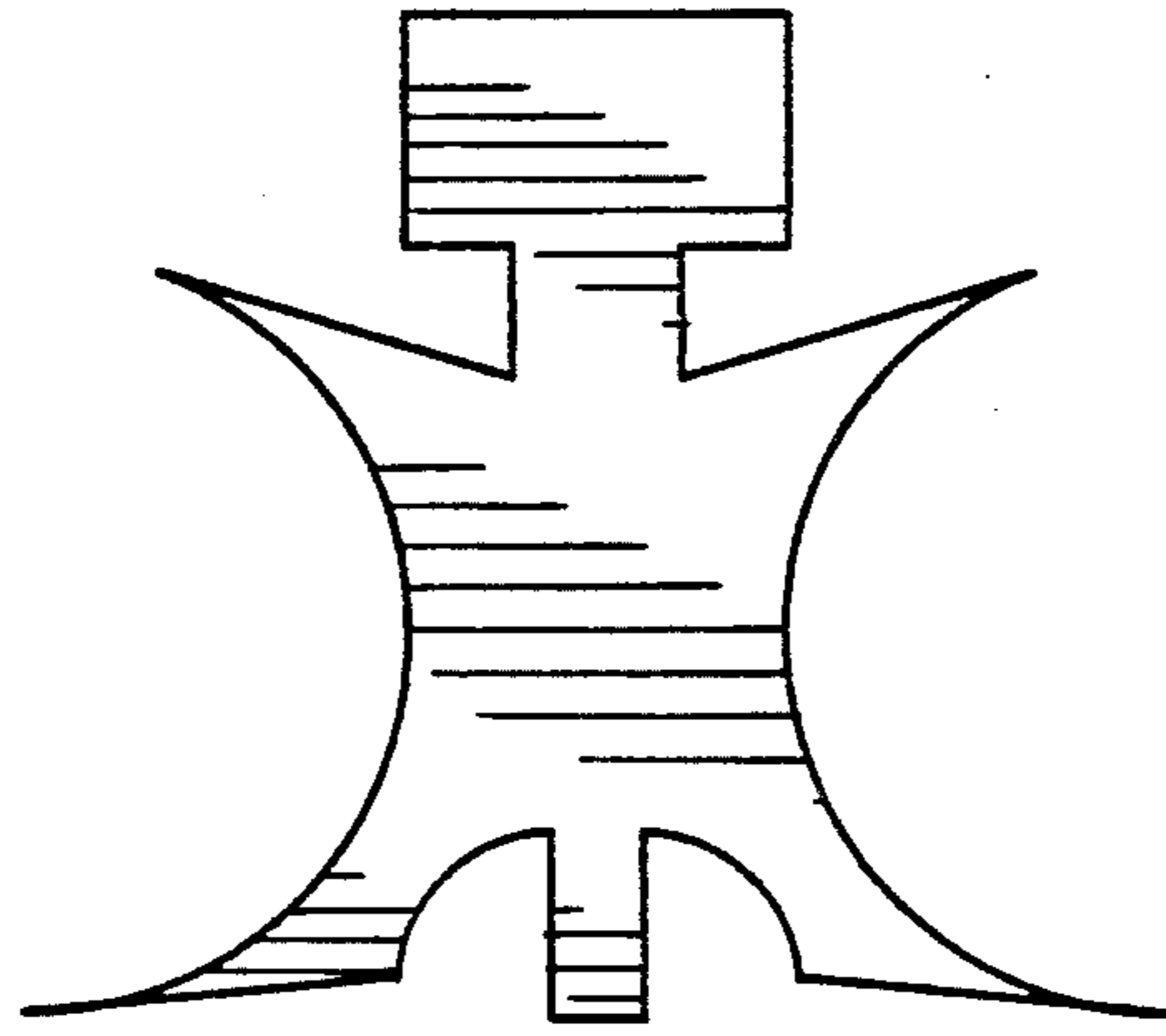


FIG. 2

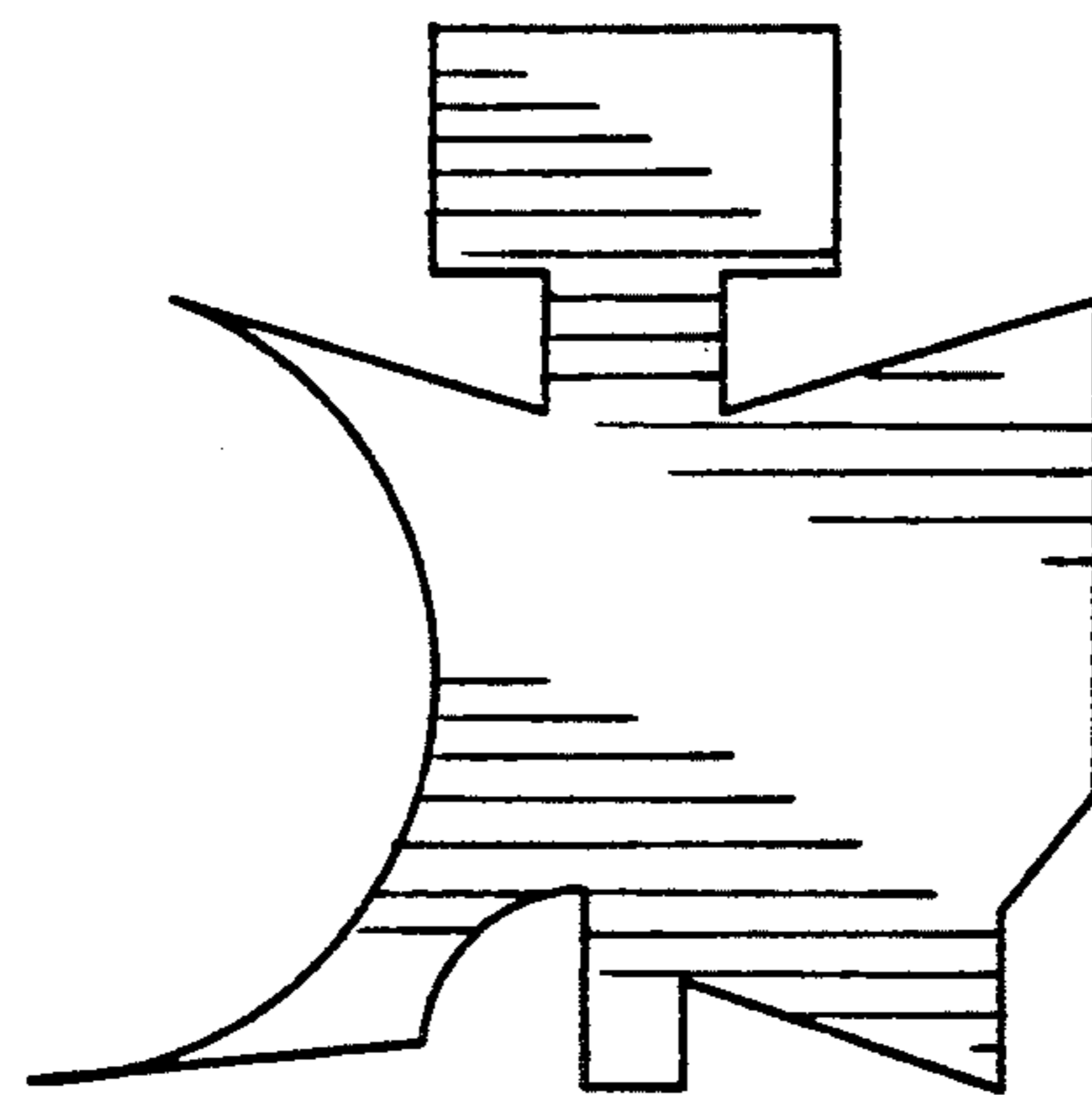


FIG. 3