



US00D327648S

United States Patent [19]

[11] Patent Number: **Des. 327,648**

Cane

[45] Date of Patent: **** Jul. 7, 1992**

[54] **CAPSULE CHAMBER FOR MIXING ADDITIVES INTO A PAINT CONTAINER OR SIMILAR ARTICLE**

[75] Inventor: **Michael Cane, Stockton, England**

[73] Assignee: **Imperial Chemical Industries plc, London, England**

[**] Term: **14 Years**

[21] Appl. No.: **317,790**

[22] Filed: **Mar. 2, 1989**

[30] Foreign Application Priority Data

Sep. 2, 1988 [GB] United Kingdom 1053374

[52] U.S. Cl. **D9/436; D9/435**

[58] Field of Search **D24/100-104; D1/100, 106, 121, 127, 199; D9/435, 436, 454; 239/310; D28/8.1-8.2; 424/451, 457, 464-465, 468-470, 472, 474; 206/219, 221-222; 215/258, DIG. 8; 222/94-96, 105, 491-492, 632-633**

[56] References Cited

U.S. PATENT DOCUMENTS

60,248 1/1922 Lane D24/103
D. 235,215 5/1975 Larsen D24/104
D. 253,935 1/1980 Daenen D9/454

D. 272,761 2/1984 Koziol D24/101 X
D. 274,846 7/1984 Eoga D24/101
D. 275,839 10/1984 Lutzker D9/454 X
D. 286,508 11/1986 Tilden D9/435
D. 302,795 8/1989 Finger et al. D9/454
3,598,536 8/1971 Christensen 239/310 X
4,204,605 5/1980 Raun et al. 206/222 X
4,979,645 12/1990 Groves et al. 222/105

Primary Examiner—Susan J. Lucas
Assistant Examiner—M. H. Tung
Attorney, Agent, or Firm—Cushman, Darby & Cushman

[57] CLAIM

The ornamental design for a capsule chamber for mixing additives into a paint container or similar article, as shown and described.

DESCRIPTION

FIG. 1 is a top perspective view of a capsule chamber for mixing additives into a paint container or similar article showing my new design;
FIG. 2 is a bottom perspective view thereof;
FIG. 3 is a top plan view thereof;
FIG. 4 is a bottom plan view thereof;
FIG. 5 is a front elevational view thereof, the rear, left and right side views all being identical; and,
FIG. 6 is a cross-sectional view thereof, taken on line 6-6 of FIG. 5.

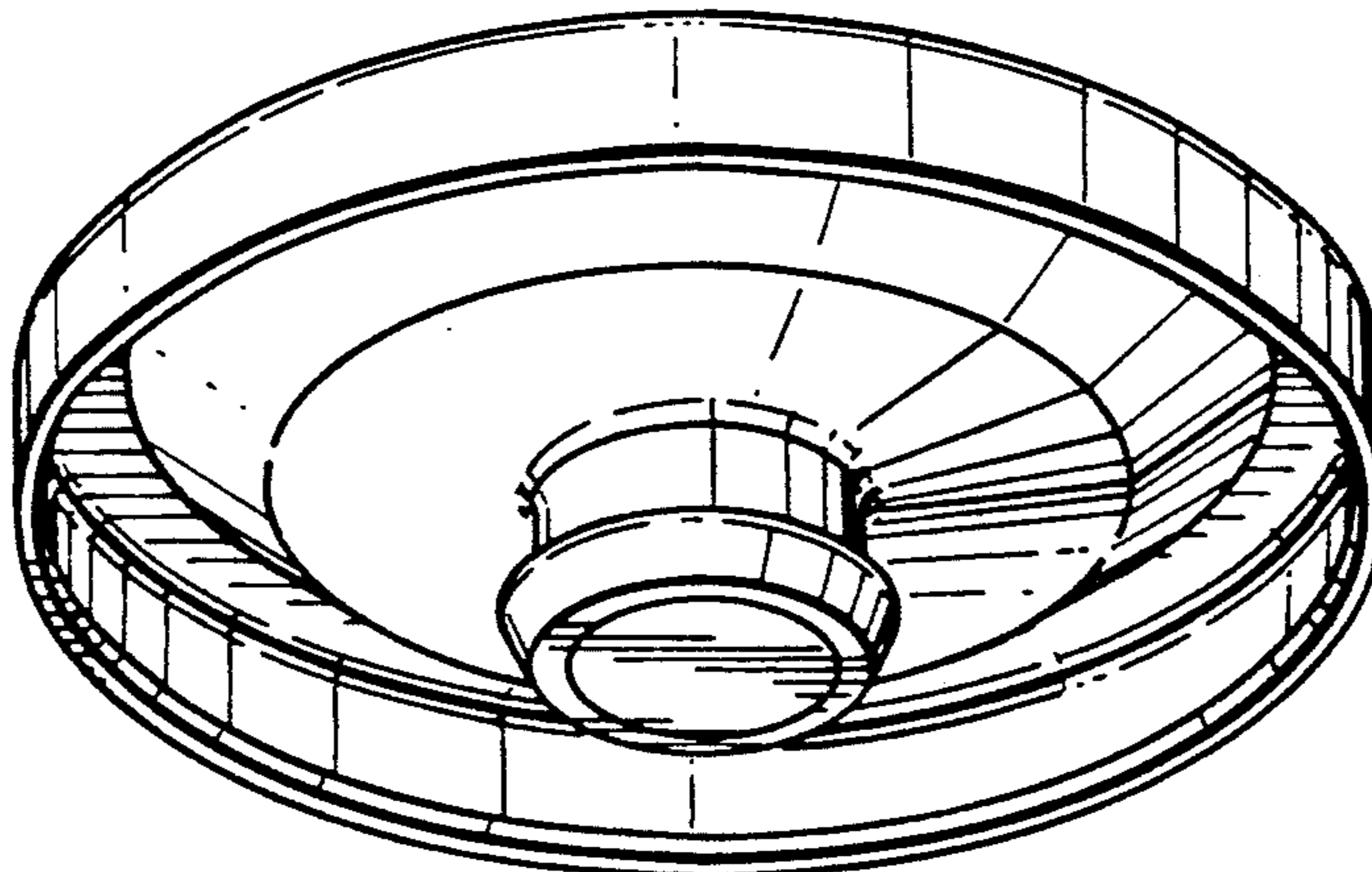
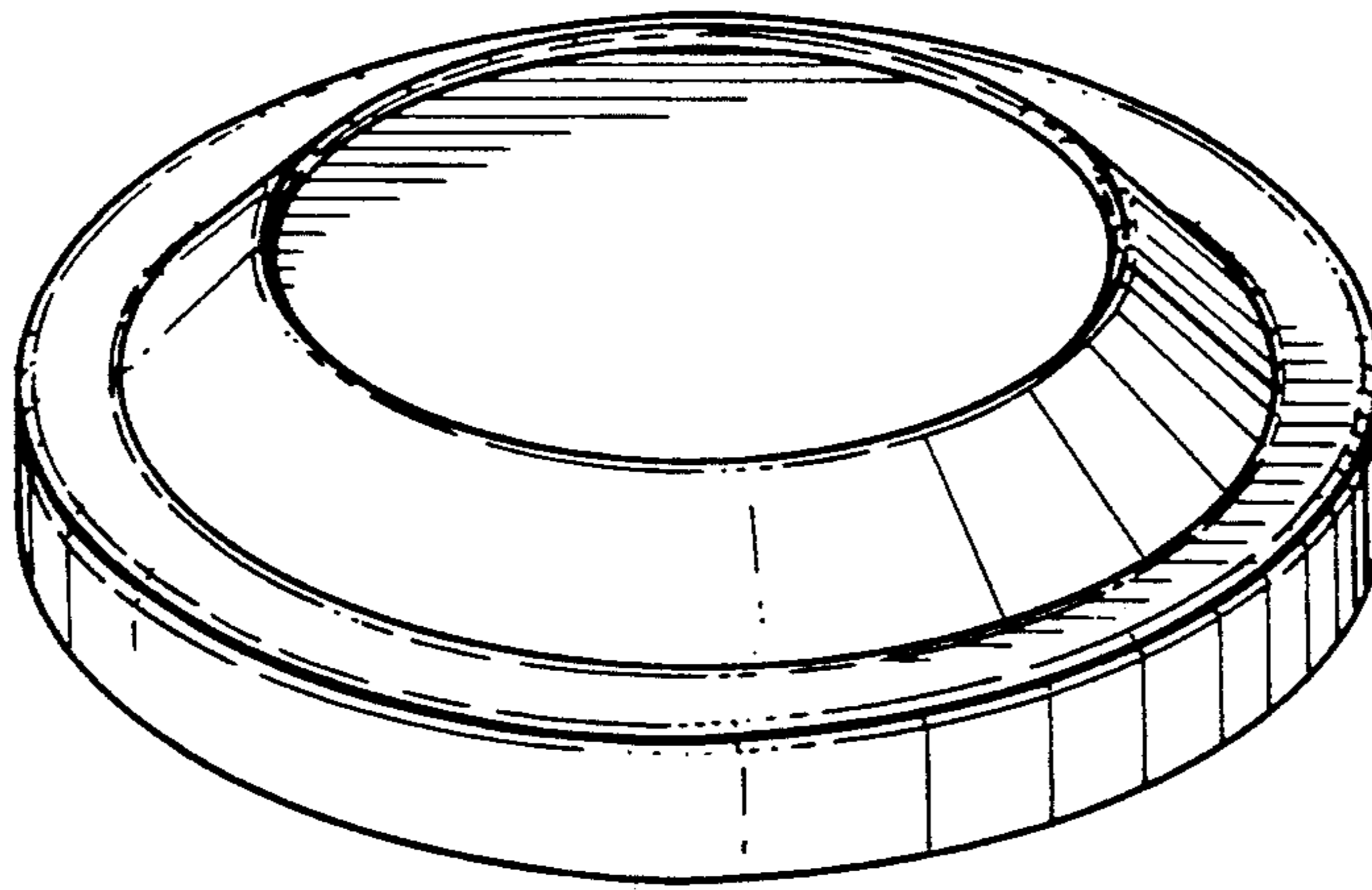


FIG. 1

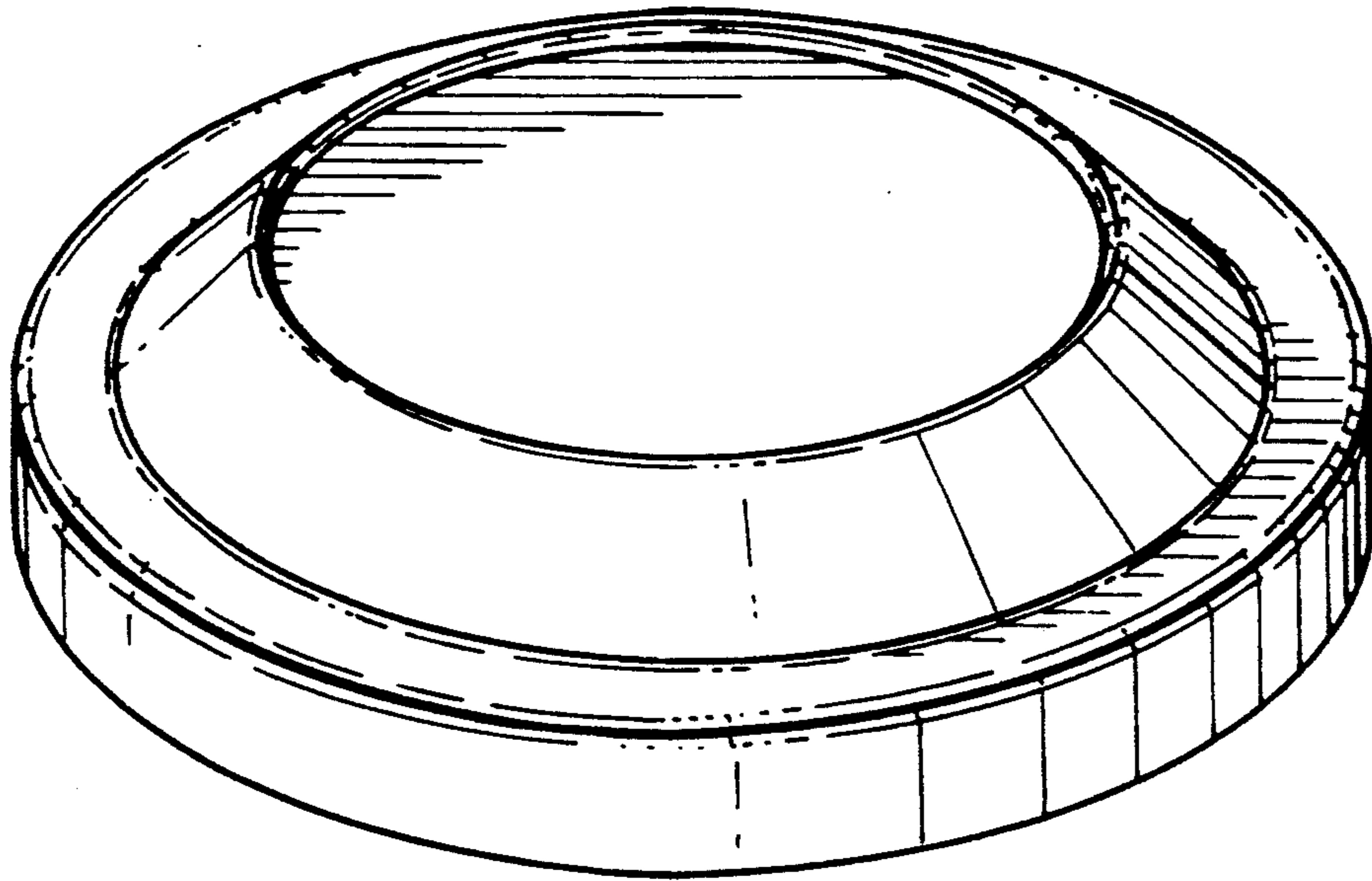
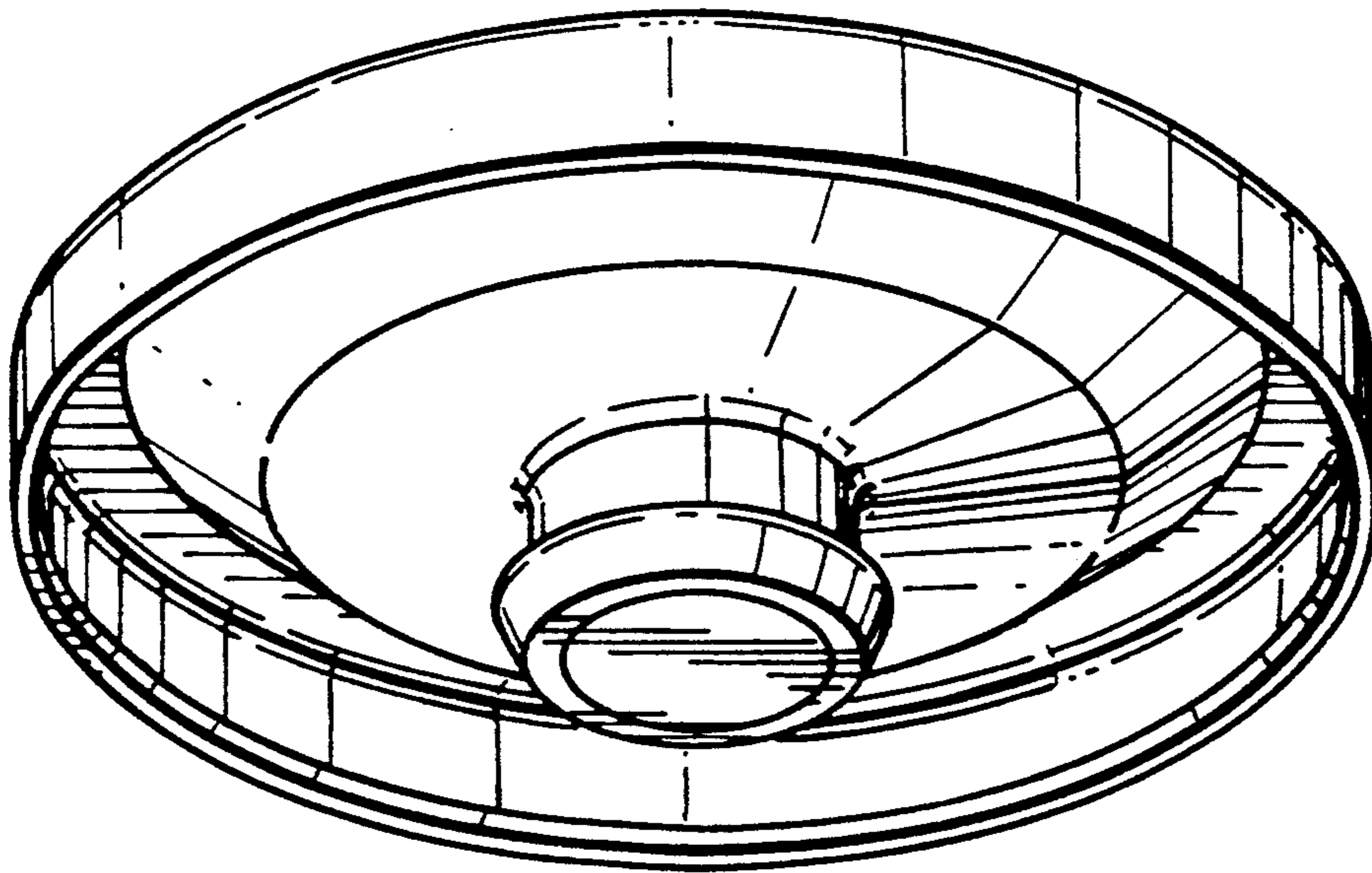


FIG. 2



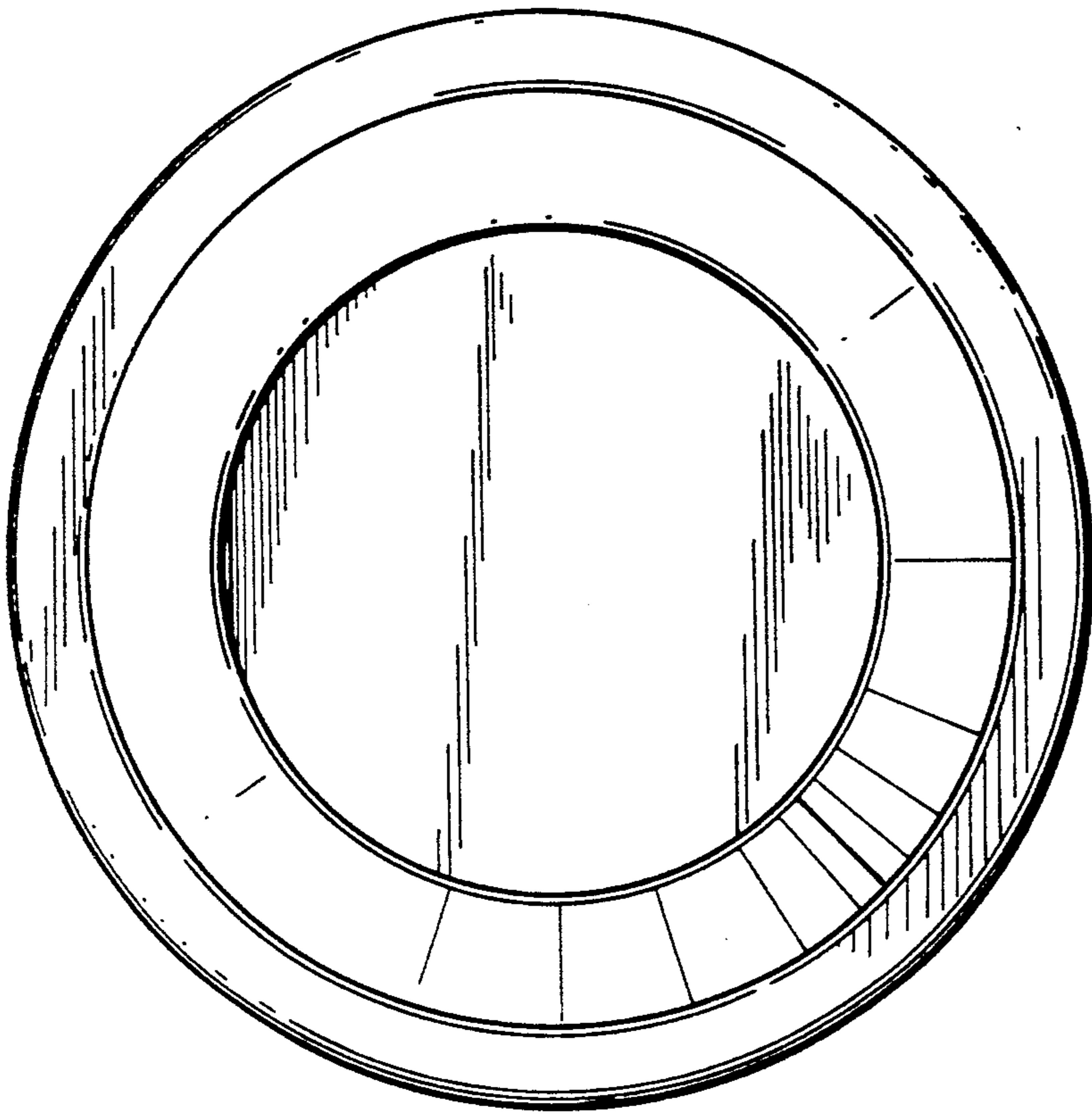


FIG. 3

FIG. 4

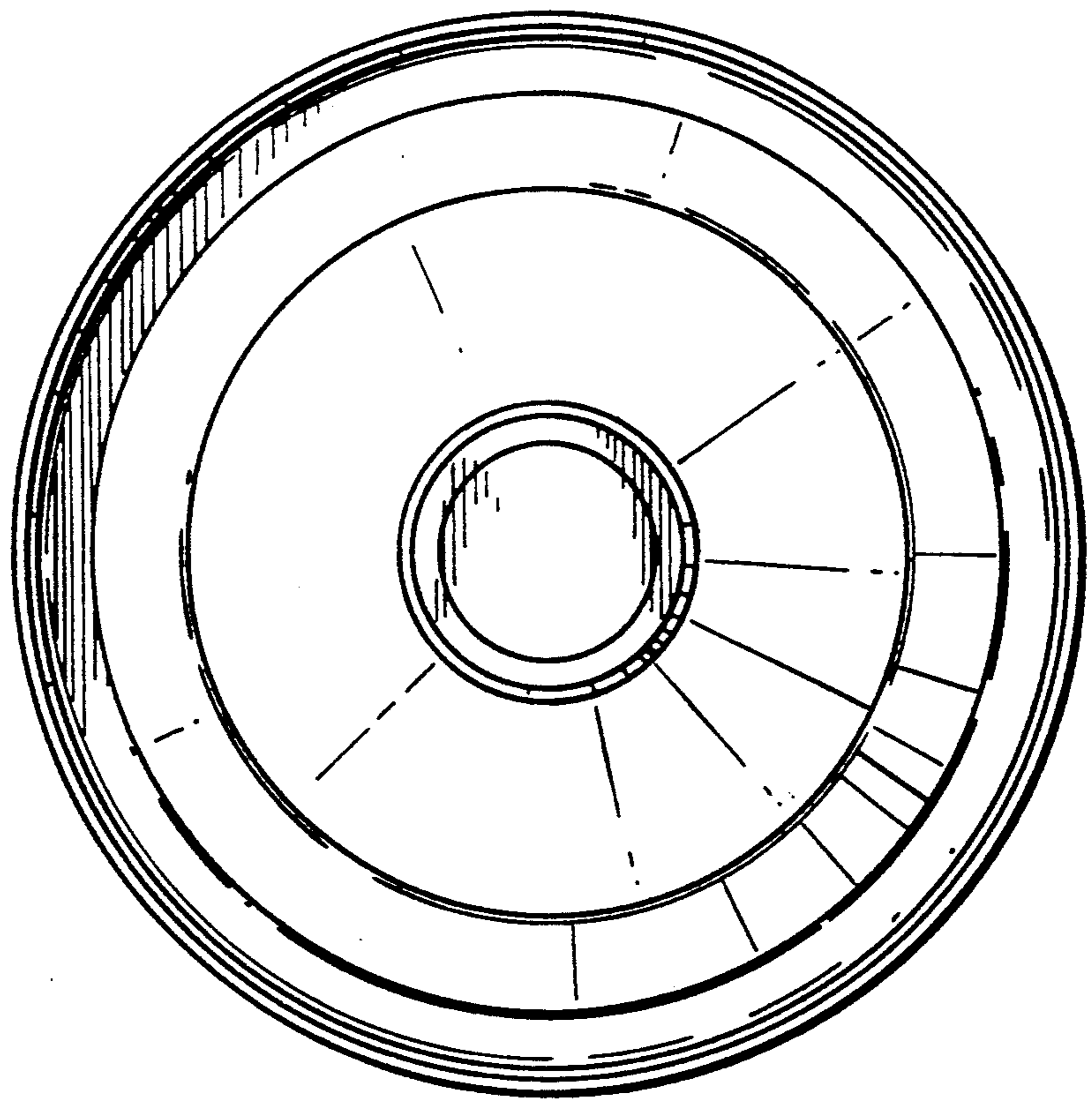


FIG. 5

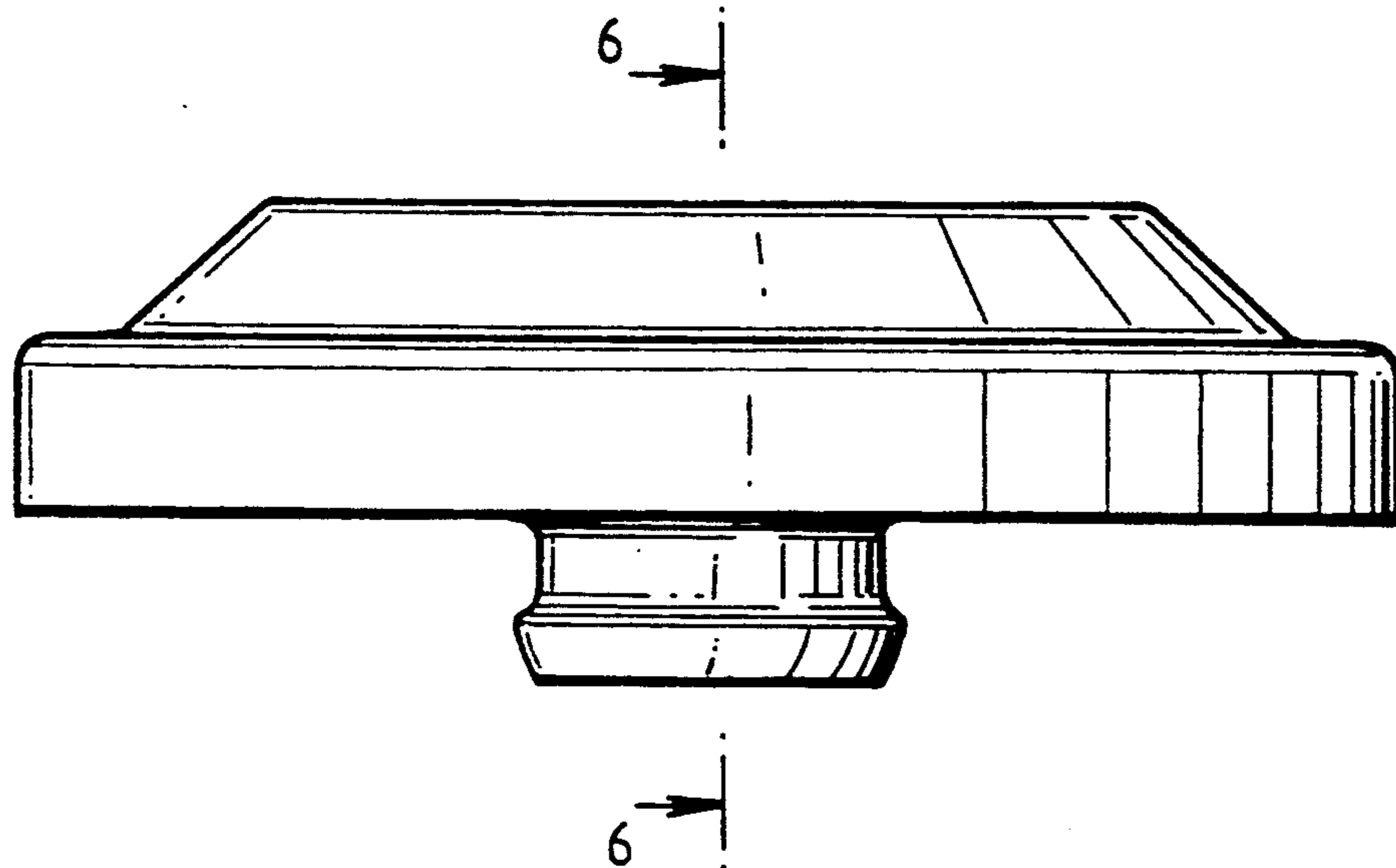


FIG. 6

