



US00D327646S

United States Patent [19]

[11] Patent Number: **Des. 327,646**

Hardigg et al.

[45] Date of Patent: **** Jul. 7, 1992**

[54] CONTAINER

[75] Inventors: **James S. Hardigg, Conway; George R. Havrilla, Whately; Stanley W. Lewandowski, Jr., Buckland, all of Mass.**

[73] Assignee: **Hardigg Industries, Inc., South Deerfield, Mass.**

[**] Term: **14 Years**

[21] Appl. No.: **524,557**

[22] Filed: **May 17, 1990**

[52] U.S. Cl. **D9/425; D9/424**

[58] Field of Search **D9/424, 425, 341, 423, D9/432; 206/508, 518, 519, 503, 203, 557; 220/23.6, 23.8, 23.83; D34/40-46**

[56] **References Cited**

U.S. PATENT DOCUMENTS

D. 201,398	6/1965	Burns et al.	D9/425 X
D. 234,273	2/1975	Wilson et al.	D9/424 X
D. 246,854	1/1978	Baker	D9/341 X
D. 276,025	10/1984	Hexamer	D9/425

3,419,184	12/1968	Asenbauer	206/508
4,018,338	4/1977	Lemkin	206/508 X
4,267,700	5/1981	Minter	206/519 X
5,042,674	8/1991	Ramsay et al.	206/508 X

OTHER PUBLICATIONS

Lewisystems, 1983 Cat. p. 26, as shown.

Primary Examiner—Theodore M. Shooman

Assistant Examiner—Prabhakar Deshmukh

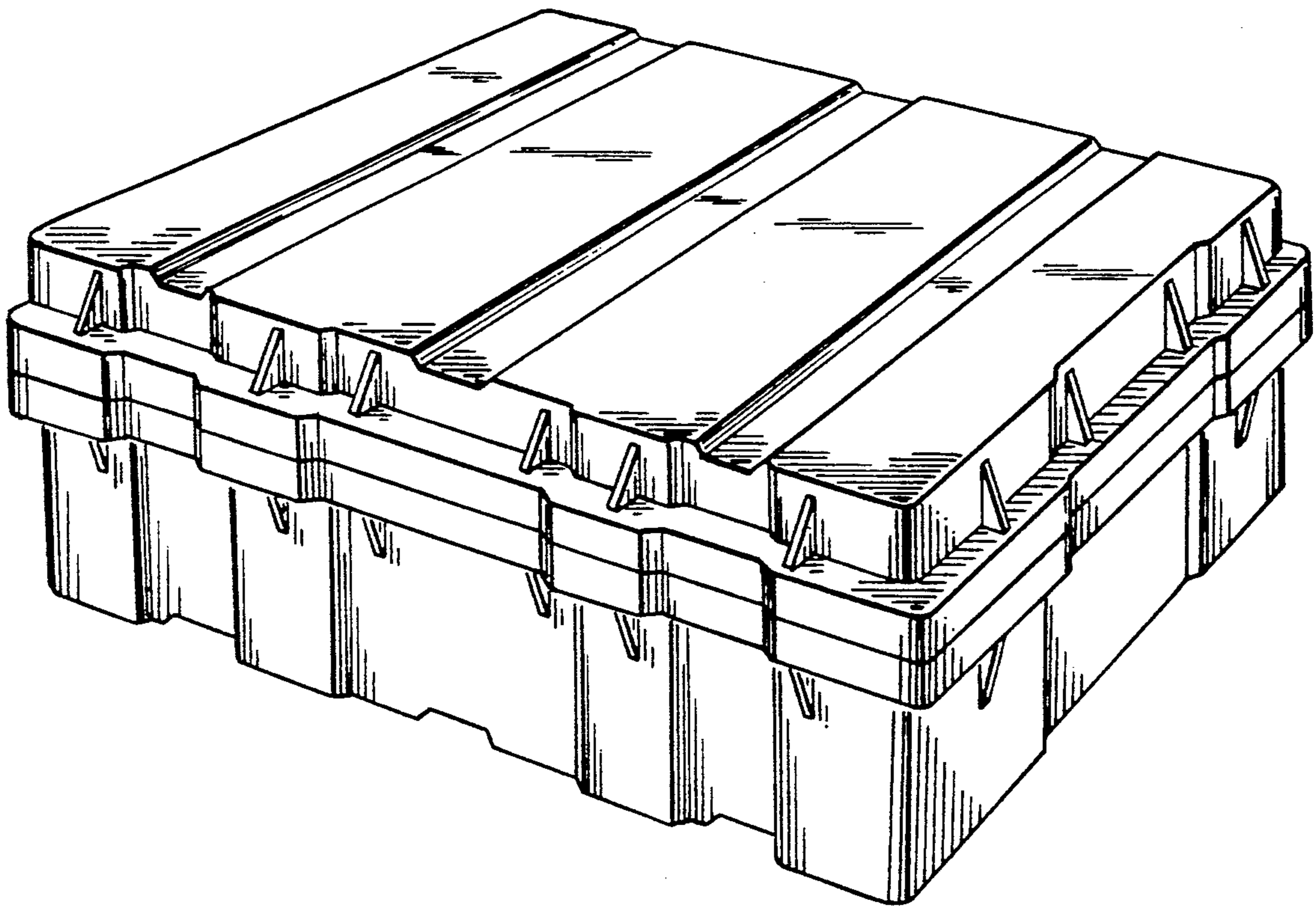
Attorney, Agent, or Firm—Fishman, Dionne & Cantor

[57] CLAIM

The ornamental design for a container, as shown and described.

DESCRIPTION

FIG. 1 is a top plan view of a container showing our new design;
 FIG. 2 is a front elevation thereof;
 FIG. 3 is a left side elevation thereof; the right side elevation being a mirror image thereof;
 FIG. 4 is a rear elevation thereof;
 FIG. 5 is a top perspective view thereof; and,
 FIG. 6 is a bottom perspective view thereof.



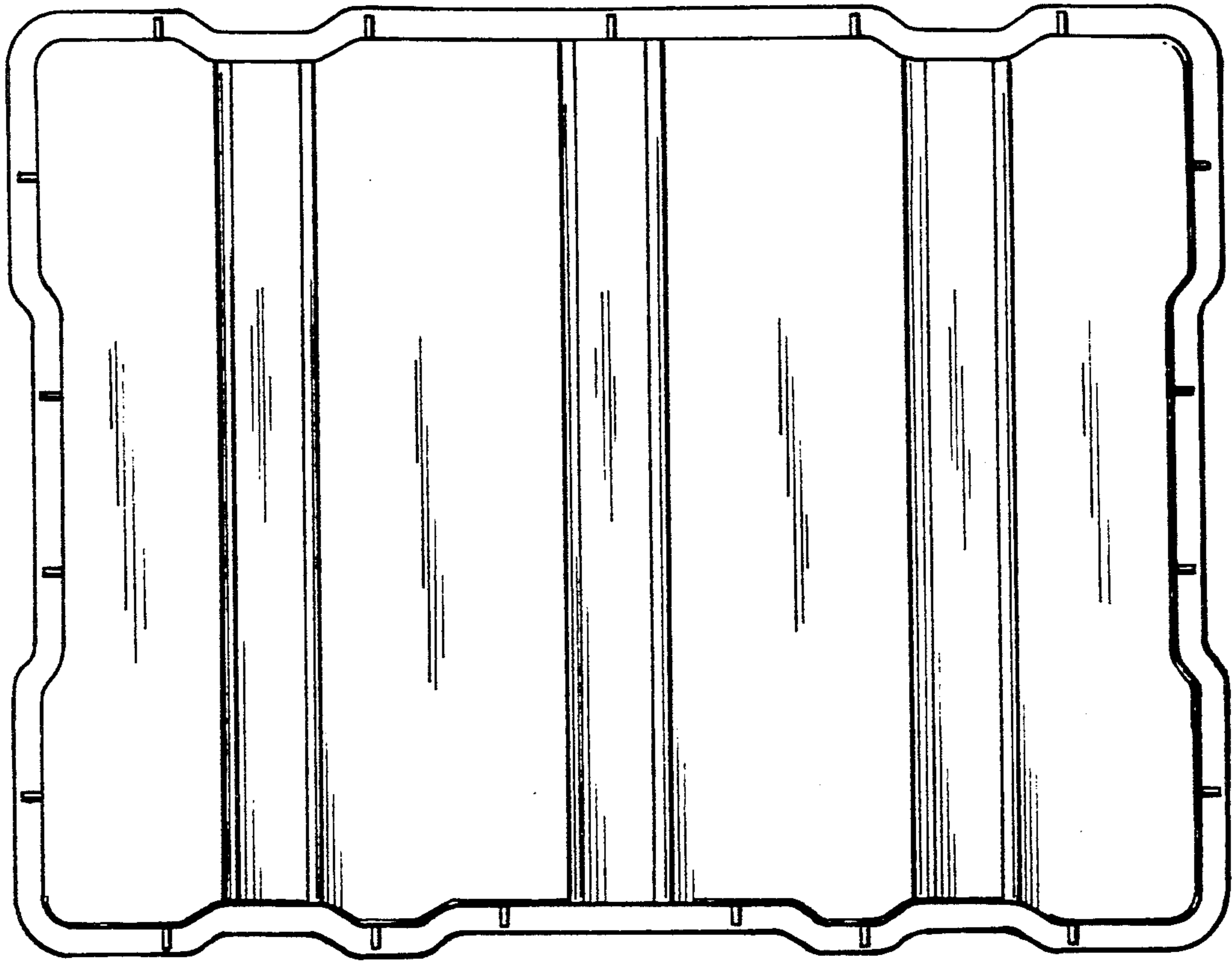


FIG. 1

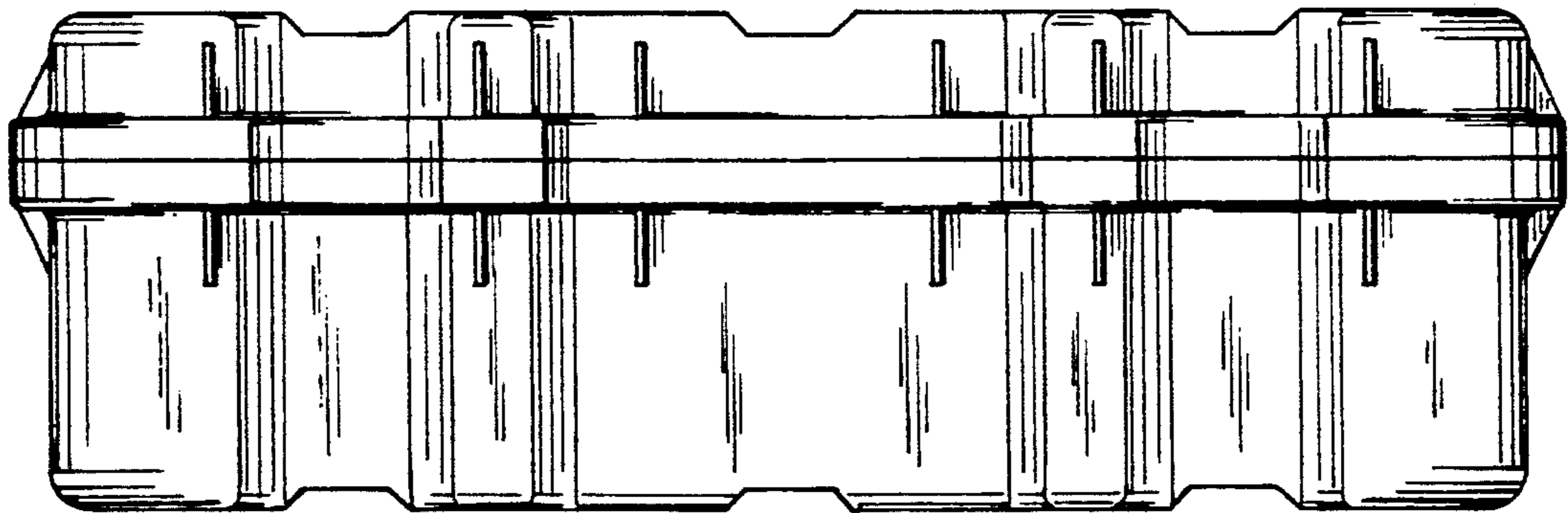


FIG. 2

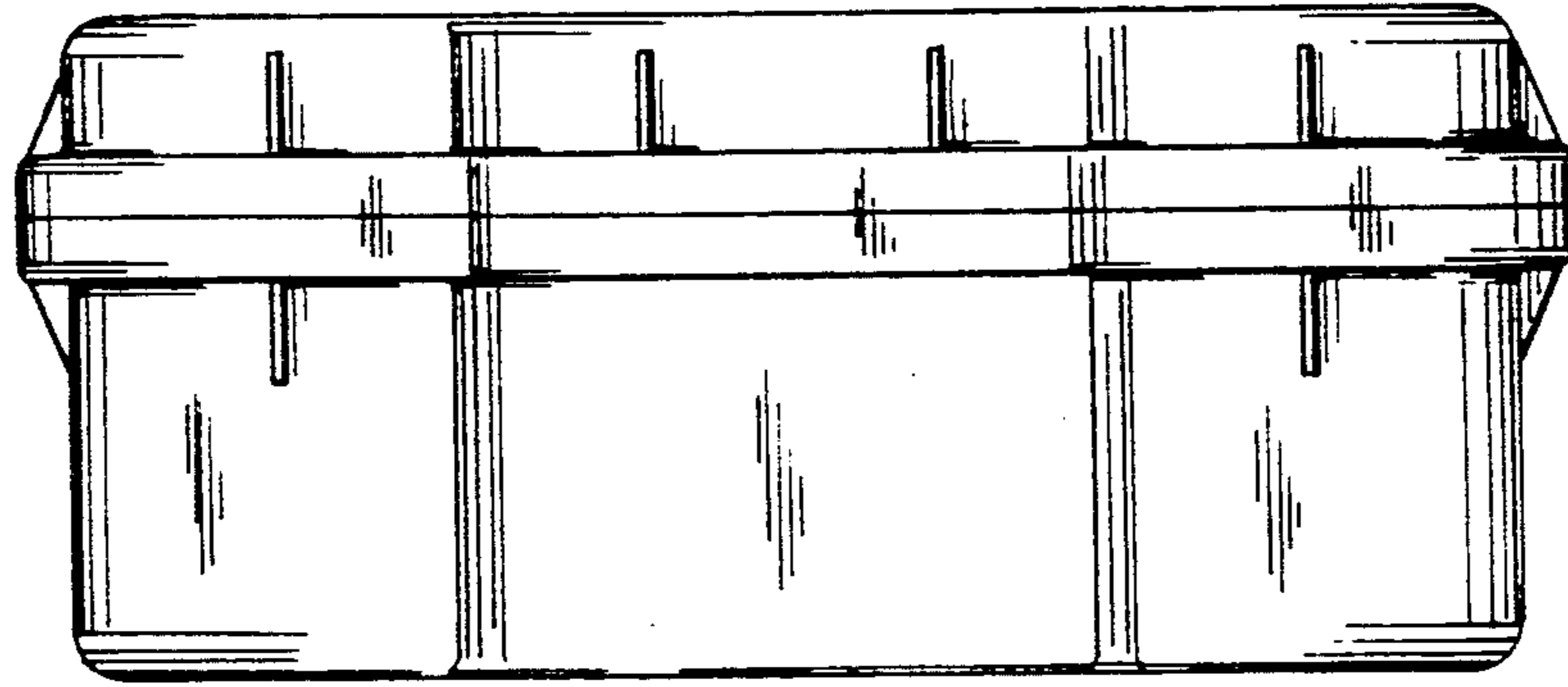


FIG. 3

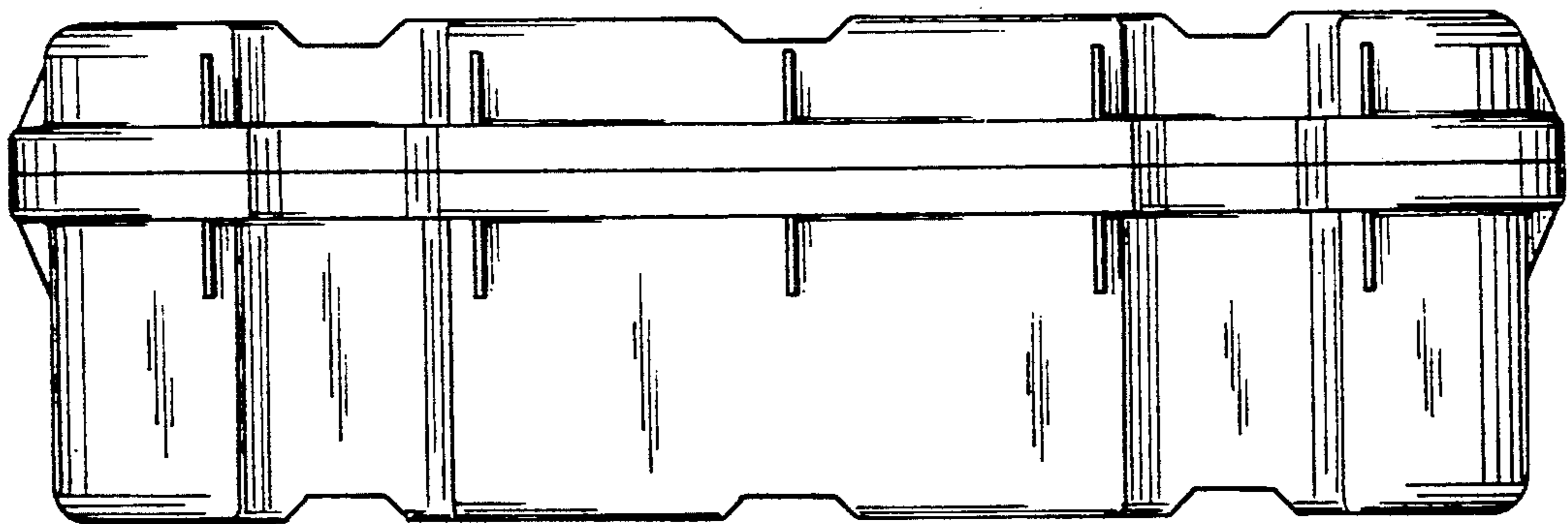


FIG. 4

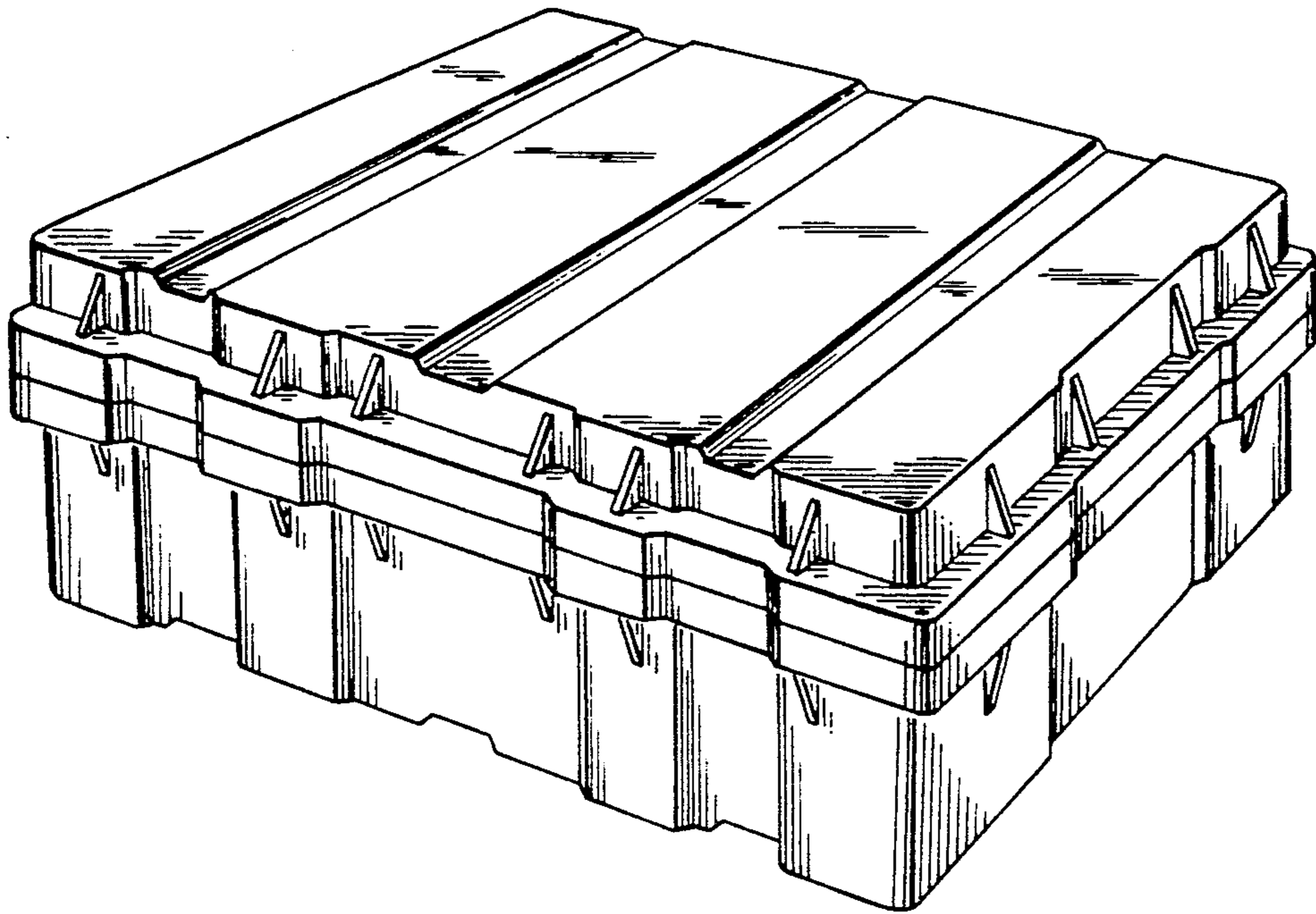


FIG. 5

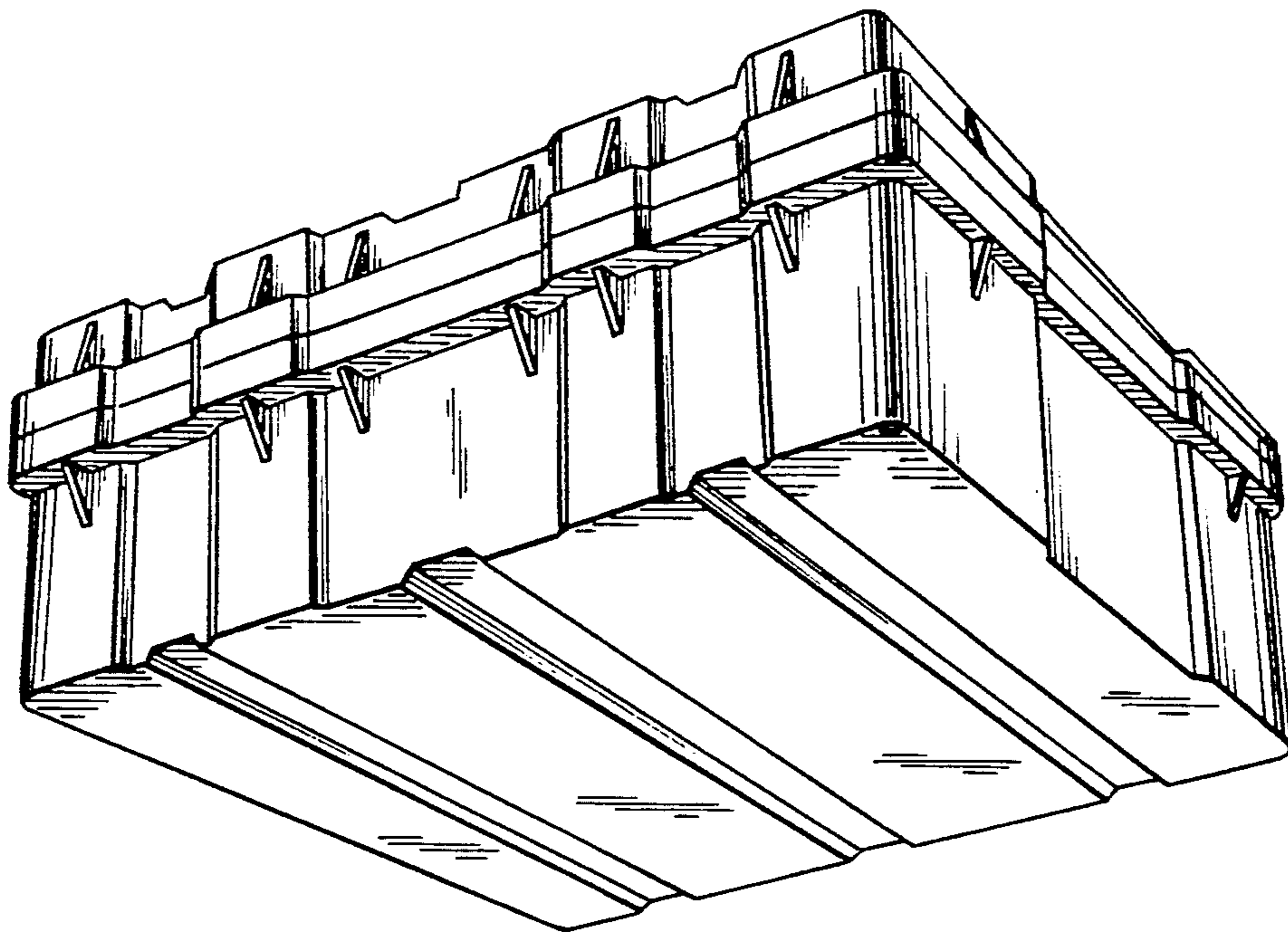


FIG. 6