



US00D327645S

# United States Patent [19]

Riedel

[11] Patent Number: **Des. 327,645**

[45] Date of Patent: **\*\* Jul. 7, 1992**

[54] BOTTLE

[75] Inventor: **Thomas Riedel, London, England**

[73] Assignee: **John Harvey & Sons Limited, Bristol, United Kingdom**

[\*\*] Term: **14 Years**

[21] Appl. No.: **566,513**

[22] Filed: **Aug. 13, 1990**

### [30] Foreign Application Priority Data

Feb. 12, 1990 [GB] United Kingdom ..... 2004633

[52] U.S. Cl. .... **D9/544; D9/571**

[58] Field of Search ..... D9/403-413, D9/384, 401, 386; 215/1 R, 1 C

### [56] References Cited

#### U.S. PATENT DOCUMENTS

D. 4,170 6/1870 Rose ..... D9/408

D. 10,675	5/1878	Tatum	.....	D9/412
D. 10,676	5/1878	Tatum	.....	D9/412
D. 23,174	4/1894	Lloyd	.....	D9/408
D. 30,760	5/1899	Lowrey	.....	D9/412
D. 93,116	8/1934	Leach	.....	D9/412
D. 93,526	10/1934	Smith	.....	D9/408
1,602,391	10/1926	Creaver	.....	215/1 R

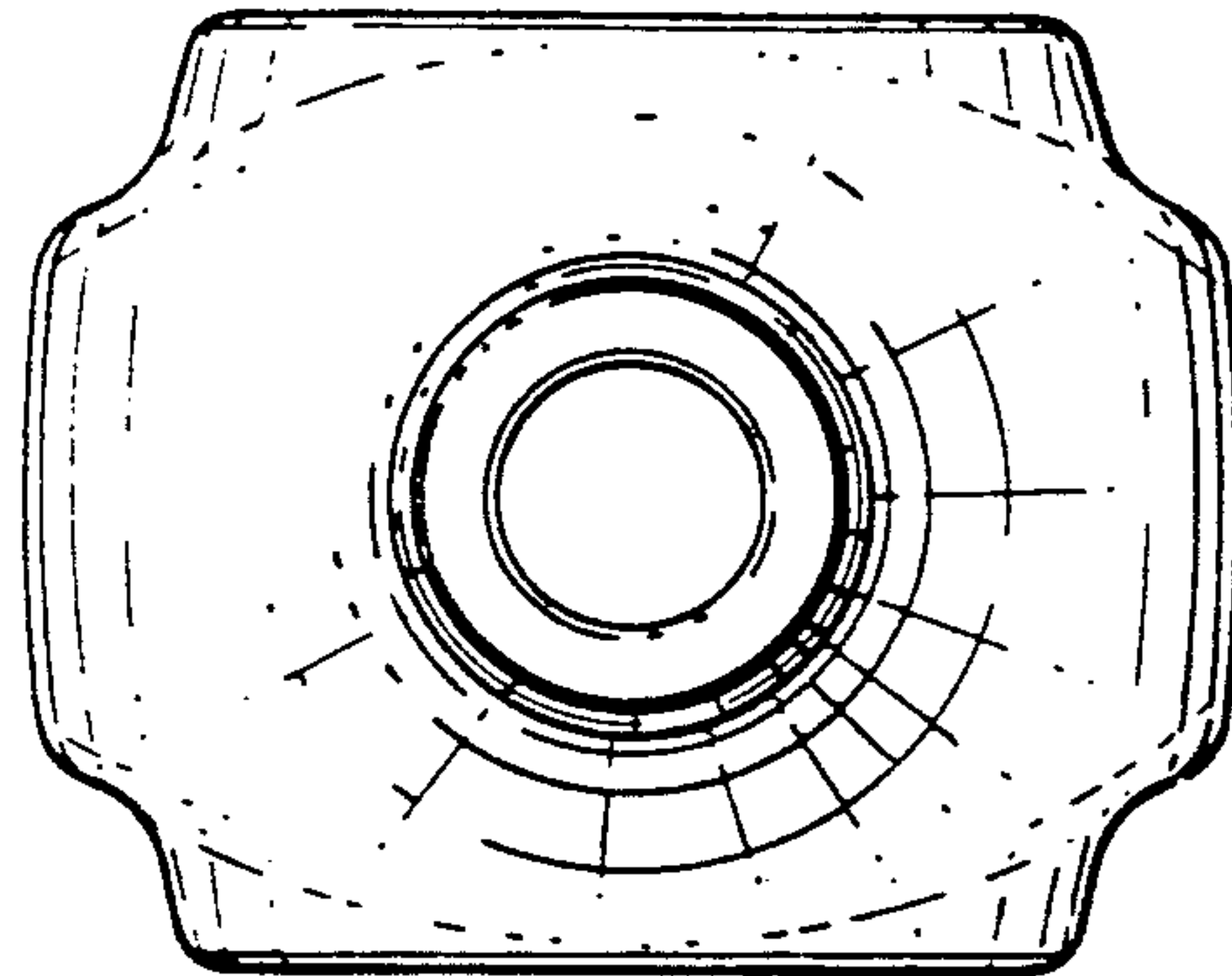
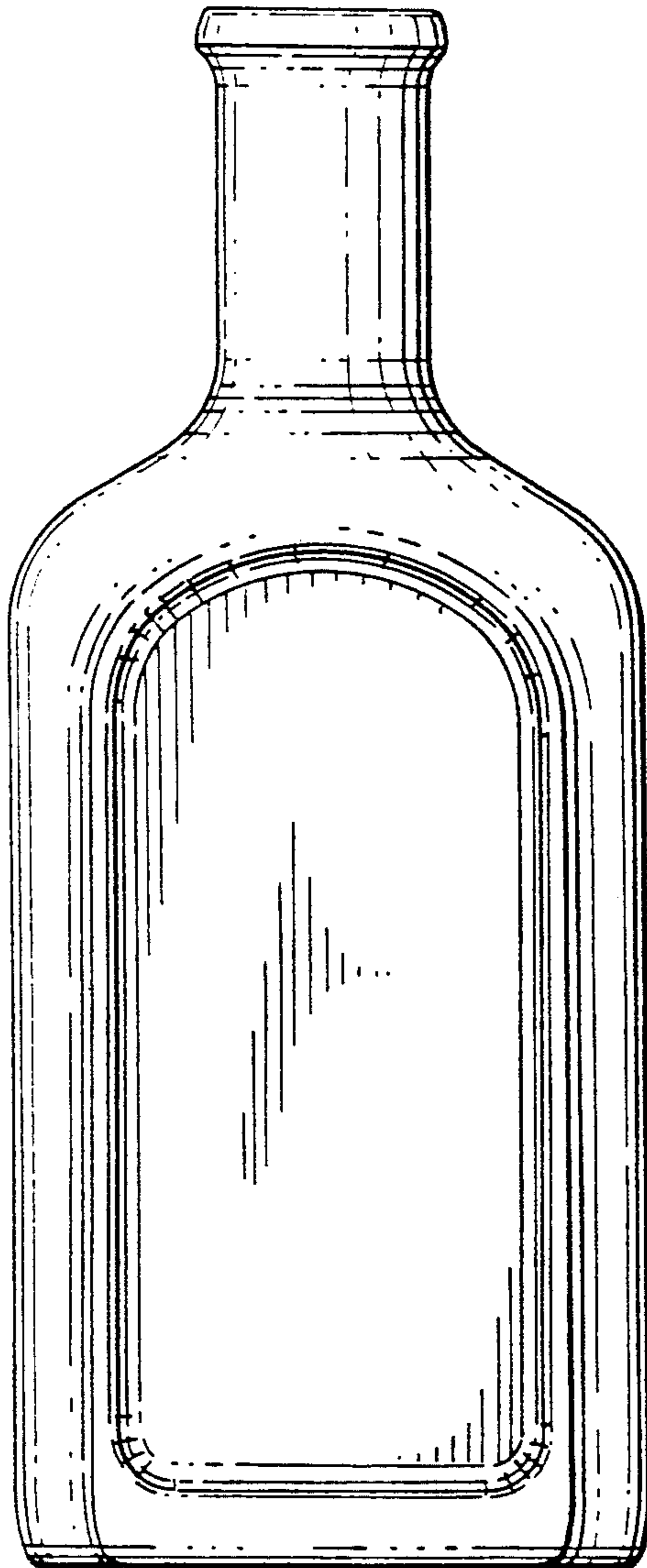
*Primary Examiner*—Bernard Ansher  
*Assistant Examiner*—Lucy Lieberman

### [57] CLAIM

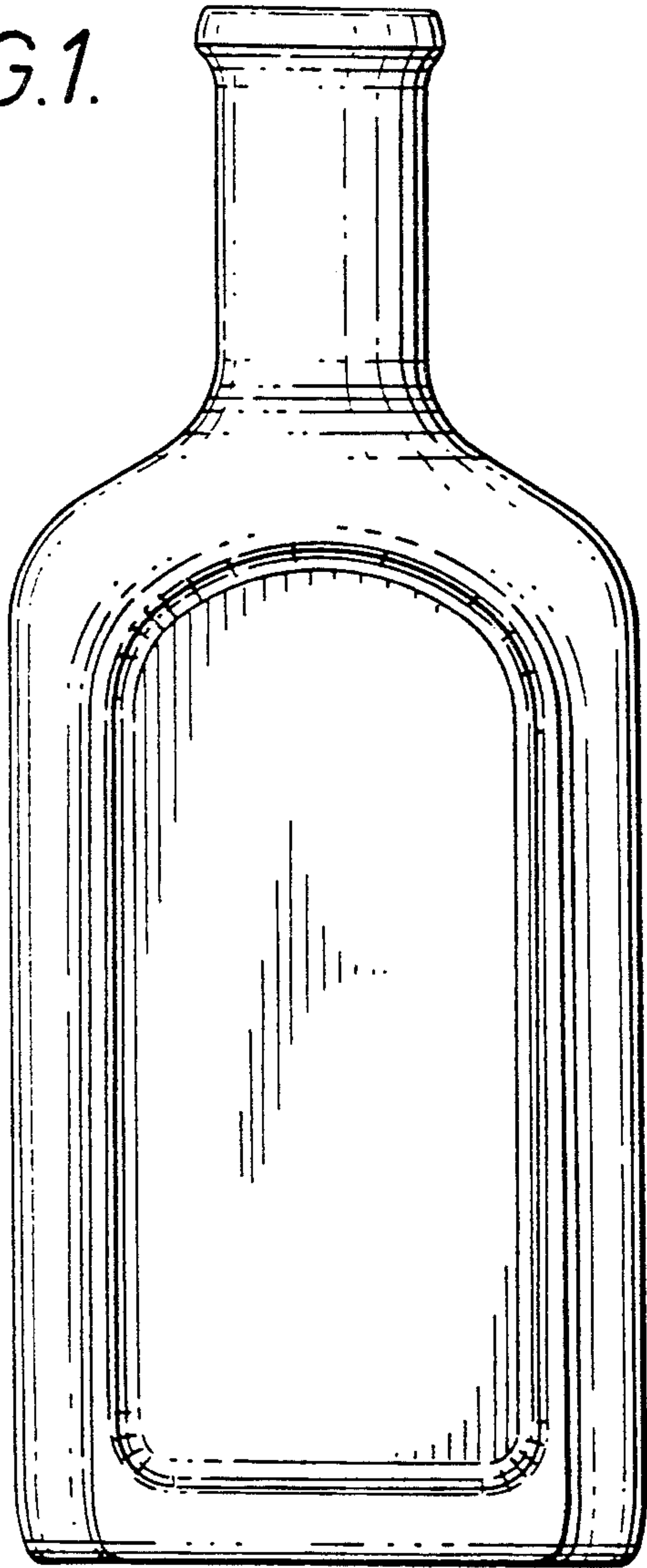
The ornamental design for a bottle, as shown and described.

### DESCRIPTION

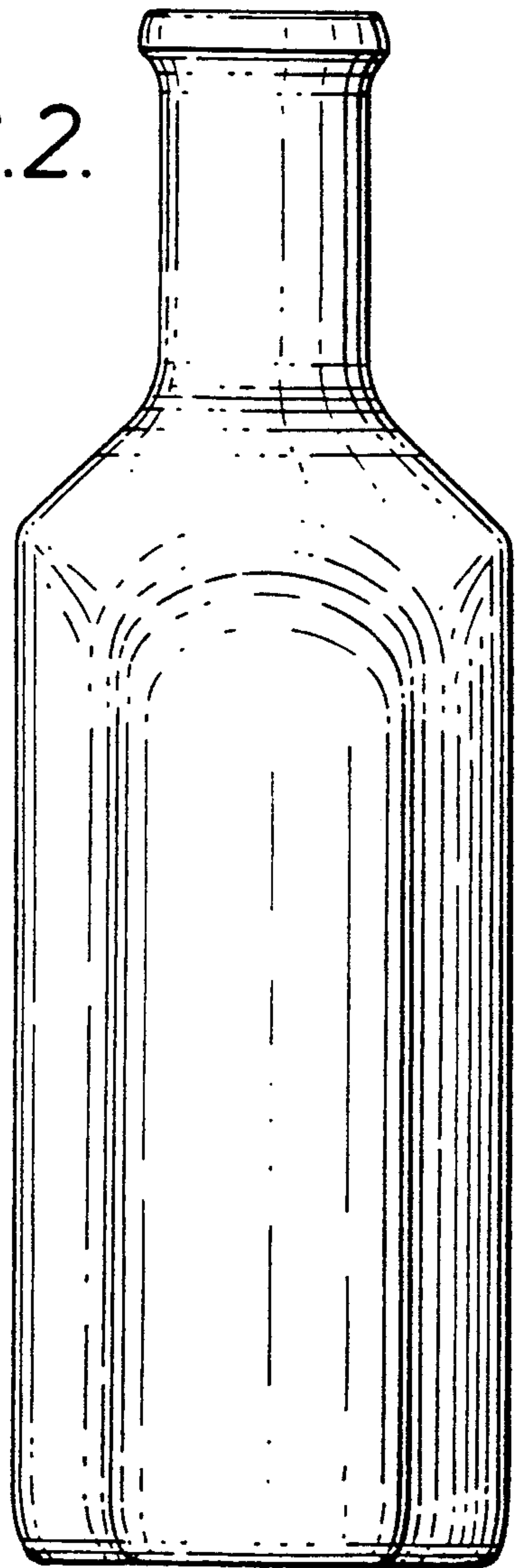
FIG. 1 is a front elevation of a bottle showing my new design, the rear elevation is the same;  
FIG. 2 is a left side elevation thereof, the right side elevation is the same; and,  
FIG. 3 is a top plan view thereof.  
The bottom of the bottle is plain.



*FIG. 1.*



*FIG. 2.*



*FIG. 3.*

