



US00D327639S

United States Patent [19]

[11] Patent Number: **Des. 327,639**

Burnsed

[45] Date of Patent: **** Jul. 7, 1992**

[54] **MULTIPLE CONTAINER UNIT**

[76] Inventor: **Denise Burnsed, P.O. Box 2012,
Gainesville, Fla. 32602**

[**] Term: **14 Years**

[21] Appl. No.: **601,576**

[22] Filed: **Oct. 23, 1990**

[52] U.S. Cl. **D9/341; D9/560**

[58] Field of Search **D9/341, 347, 367, 401,
D9/403-413, 307, 446, 447, 369, 337; 215/6, 10,
1 R, 1 C; D6/542, 544, 545**

2,641,374	6/1953	Der Yuen	215/10
2,789,734	4/1957	Biederman	D9/447 X
3,391,824	7/1968	Wiseman	215/10 X
3,397,804	8/1968	Davis	.	
3,720,352	3/1973	Kozlowski	.	

FOREIGN PATENT DOCUMENTS

649541 1/1951 United Kingdom 215/1 R

Primary Examiner—Bernard Ansher
Assistant Examiner—Lucy Lieberman
Attorney, Agent, or Firm—Terry M. Gernstein

[57] CLAIM

The ornamental design for a multiple container unit, as shown and described.

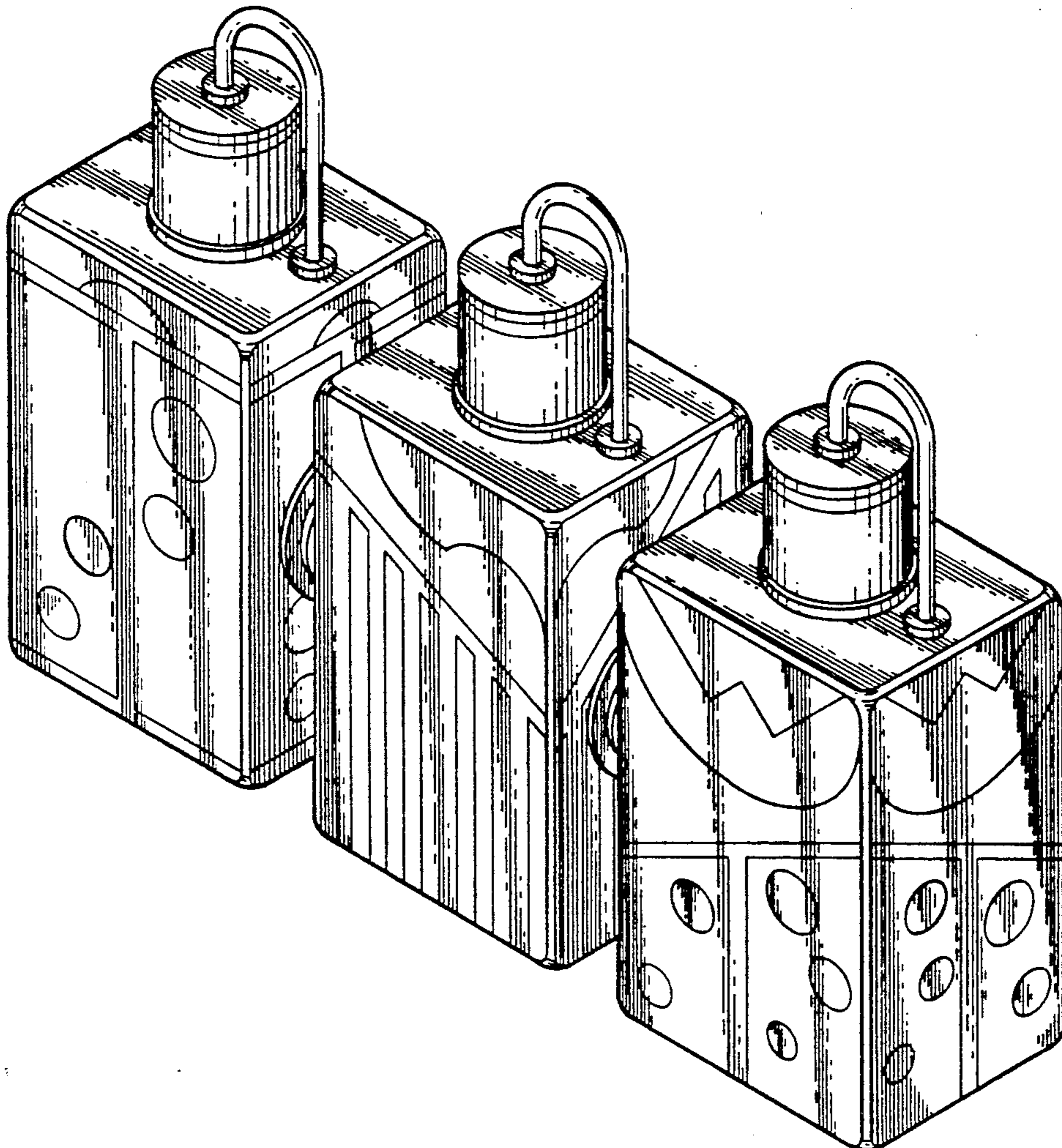
[56] References Cited

U.S. PATENT DOCUMENTS

D. 93,147	8/1934	Titus	D9/404
D. 116,240	8/1939	Petzold	D9/341
D. 236,585	9/1975	Tabor	D9/341
D. 292,266	10/1987	Vanlanen et al.	D9/341
D. 292,373	10/1987	Costa	D9/347
D. 298,991	12/1988	Stanley	D9/341 X
D. 301,546	6/1989	McCallister	D9/341
1,459,602	6/1912	Peterson	.	

DESCRIPTION

FIG. 1 is a top, front and right side perspective view of a multiple container unit showing my new design; FIG. 2 is a rear elevational view thereof; FIG. 3 is a right side elevational view thereof; FIG. 4 is a left side elevational view thereof; FIG. 5 is a top plan view thereof; and, FIG. 6 is a bottom plan view thereof.



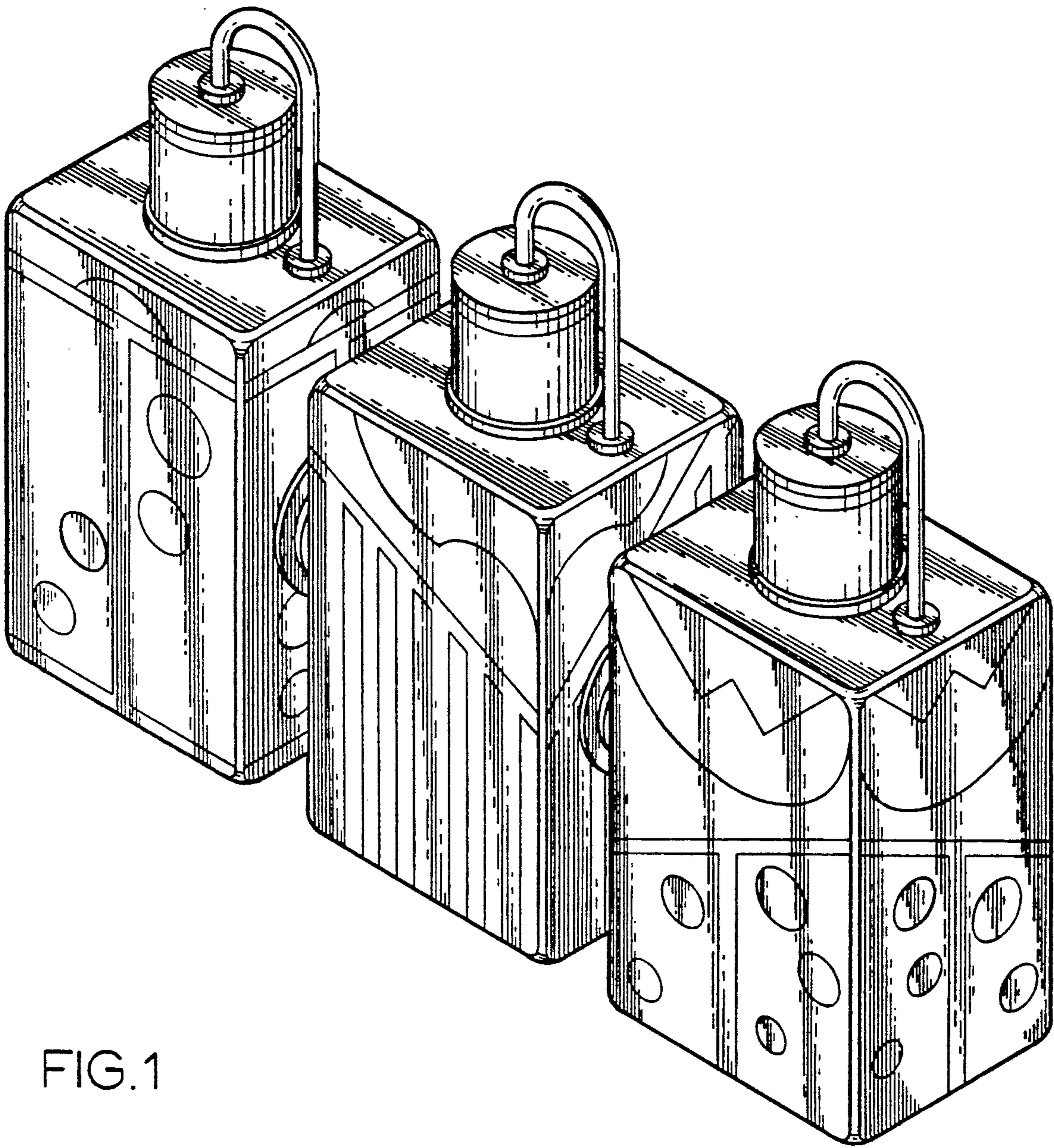


FIG.1

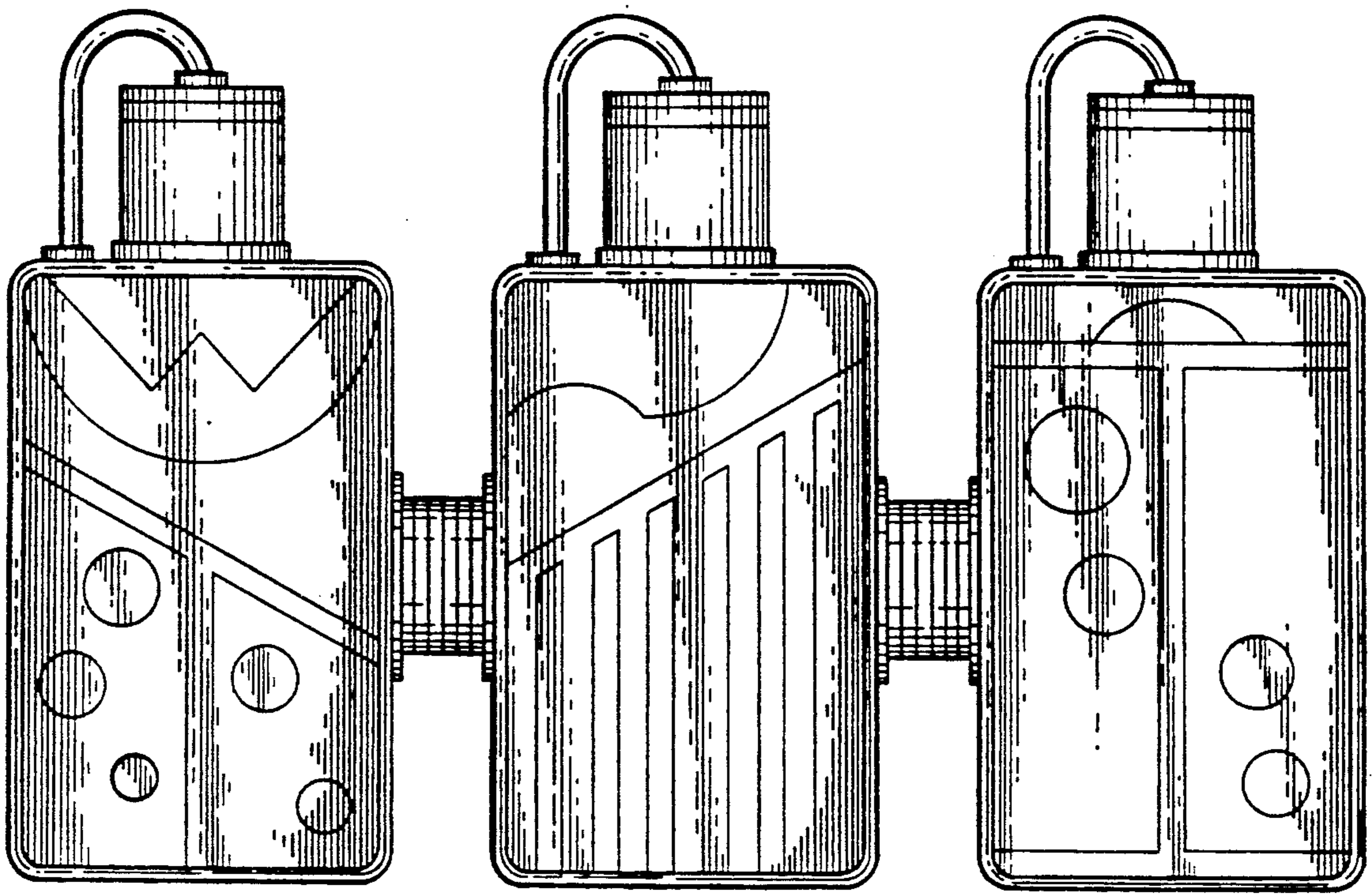


FIG. 2

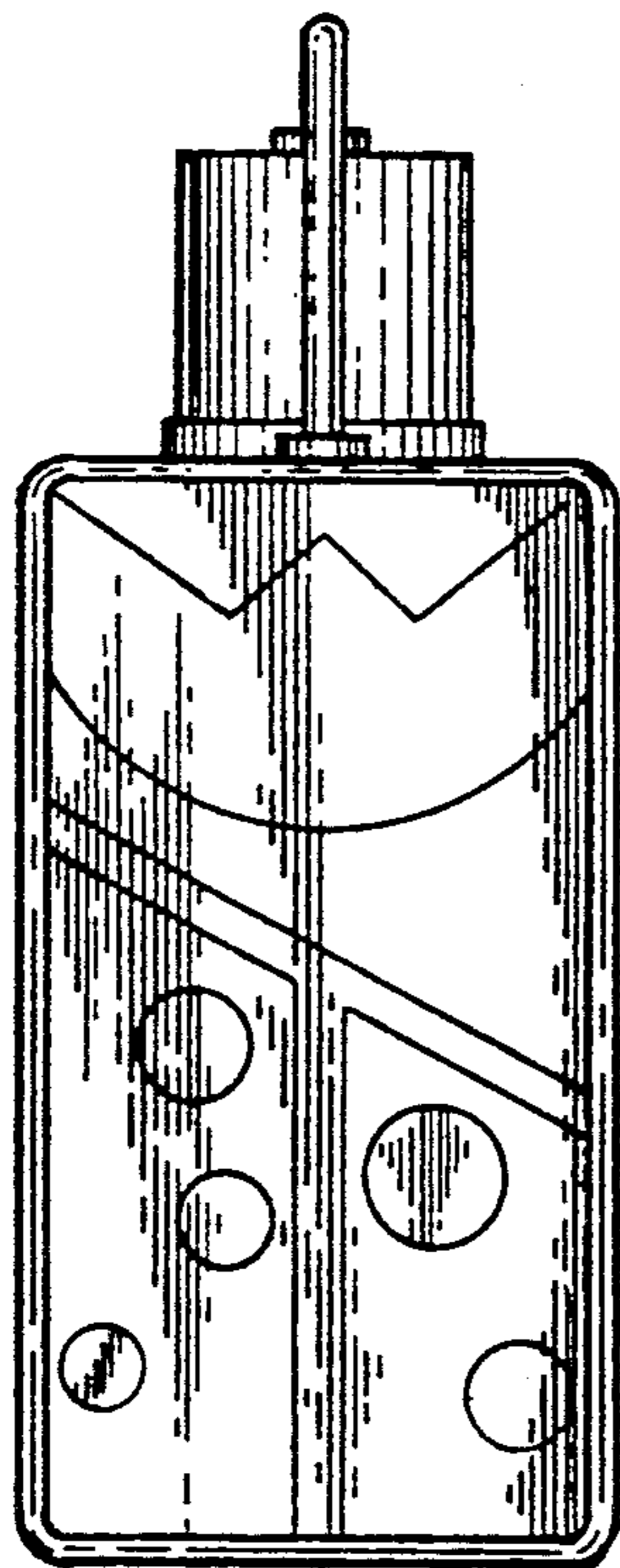


FIG. 3

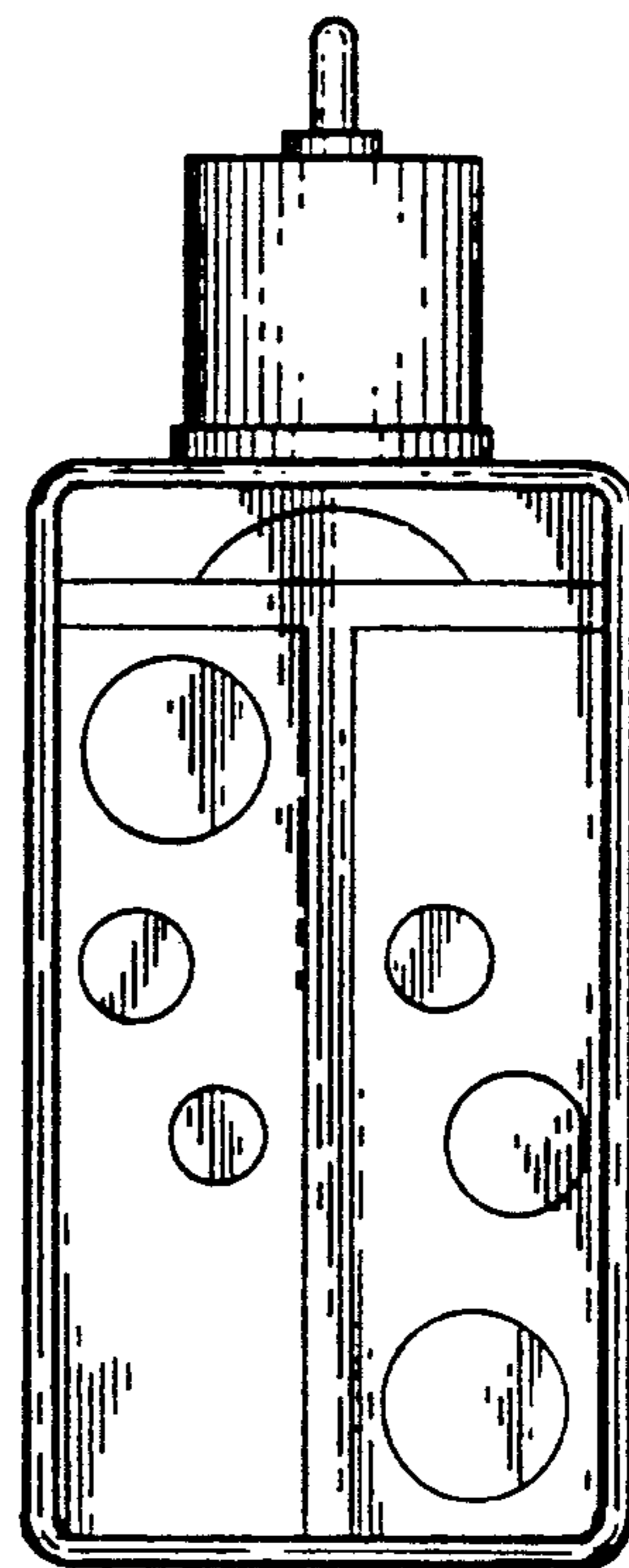


FIG. 4

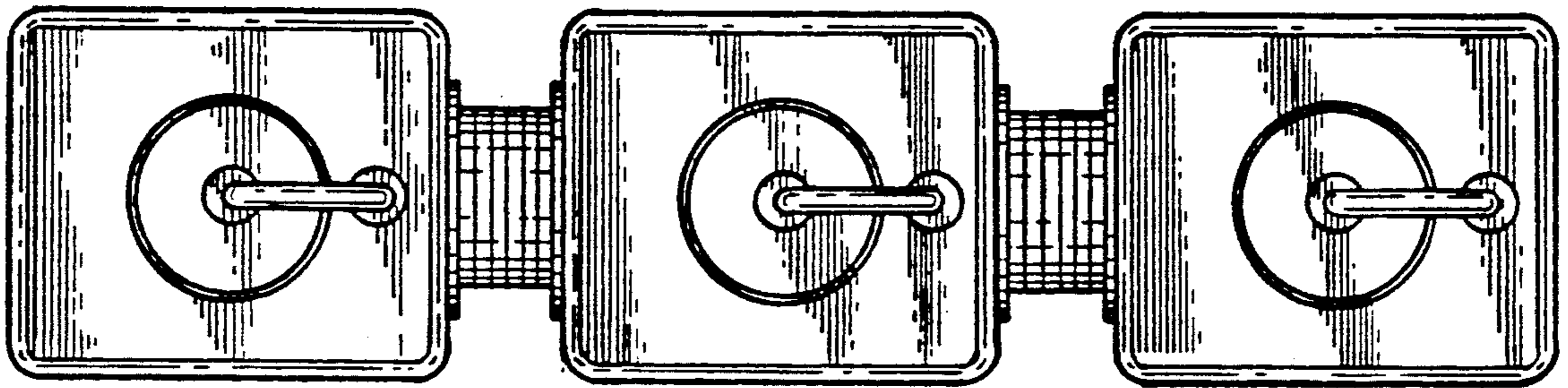


FIG. 5

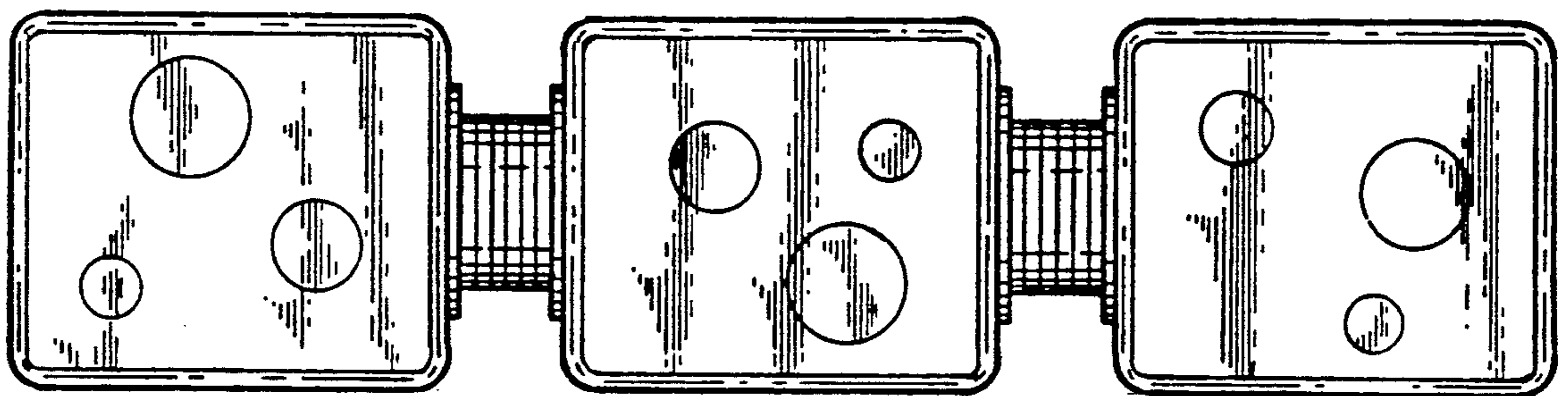


FIG. 6