



US00D327638S

United States Patent [19]

[11] Patent Number: **Des. 327,638**

Denkin

[45] Date of Patent: **** Jul. 7, 1992**

[54] COMPACT DISC ENVELOPE

[75] Inventor: Daniel M. Denkin, Aurora, Colo.

[73] Assignee: Information Handling Services Inc., Englewood, Colo.

[**] Term: 14 Years

[21] Appl. No.: 721,218

[22] Filed: Jun. 25, 1991

[52] U.S. Cl. D9/306

[58] Field of Search D9/305, 306, 418, 444; D14/114; D3/35; D19/3, 75, 86; 206/45.31, 312, 313, 444, 449; 229/71

[56] References Cited

U.S. PATENT DOCUMENTS

738,943	9/1903	Rice	229/92.3
2,087,879	7/1937	Andrews	229/71
2,316,701	4/1943	Marshall	206/45.31
3,005,544	10/1961	Chaplin	206/313

FOREIGN PATENT DOCUMENTS

394023	1/1909	France	229/71
1064519	5/1954	France	229/71

Primary Examiner—Bernard Ansher
Assistant Examiner—C. Tuttle
Attorney, Agent, or Firm—Notaro & Michalos

[57] CLAIM

The ornamental design for a compact disc envelope, as shown and described.

DESCRIPTION

FIG. 1 is a front elevational view of a compact disc envelope showing my new design;
 FIG. 2 is a left side elevational view thereof, the side opposite being a mirror image of the side shown;
 FIG. 3 is a top plan view thereof;
 FIG. 4 is a bottom plan view thereof;
 FIG. 5 is a front elevational view shown with the flap element in a closed position;
 FIG. 6 is a left side elevational view thereof, the side opposite being a mirror image of the side shown;
 FIG. 7 is a top plan view thereof;
 FIG. 8 is a bottom plan view thereof;
 FIG. 9 is a rear elevational view shown with the flap in a raised position;
 FIG. 10 is a rear elevational view shown with the flap in a closed position; and,
 FIG. 11 is a rear elevational view shown with the flap in an alternate closed position.

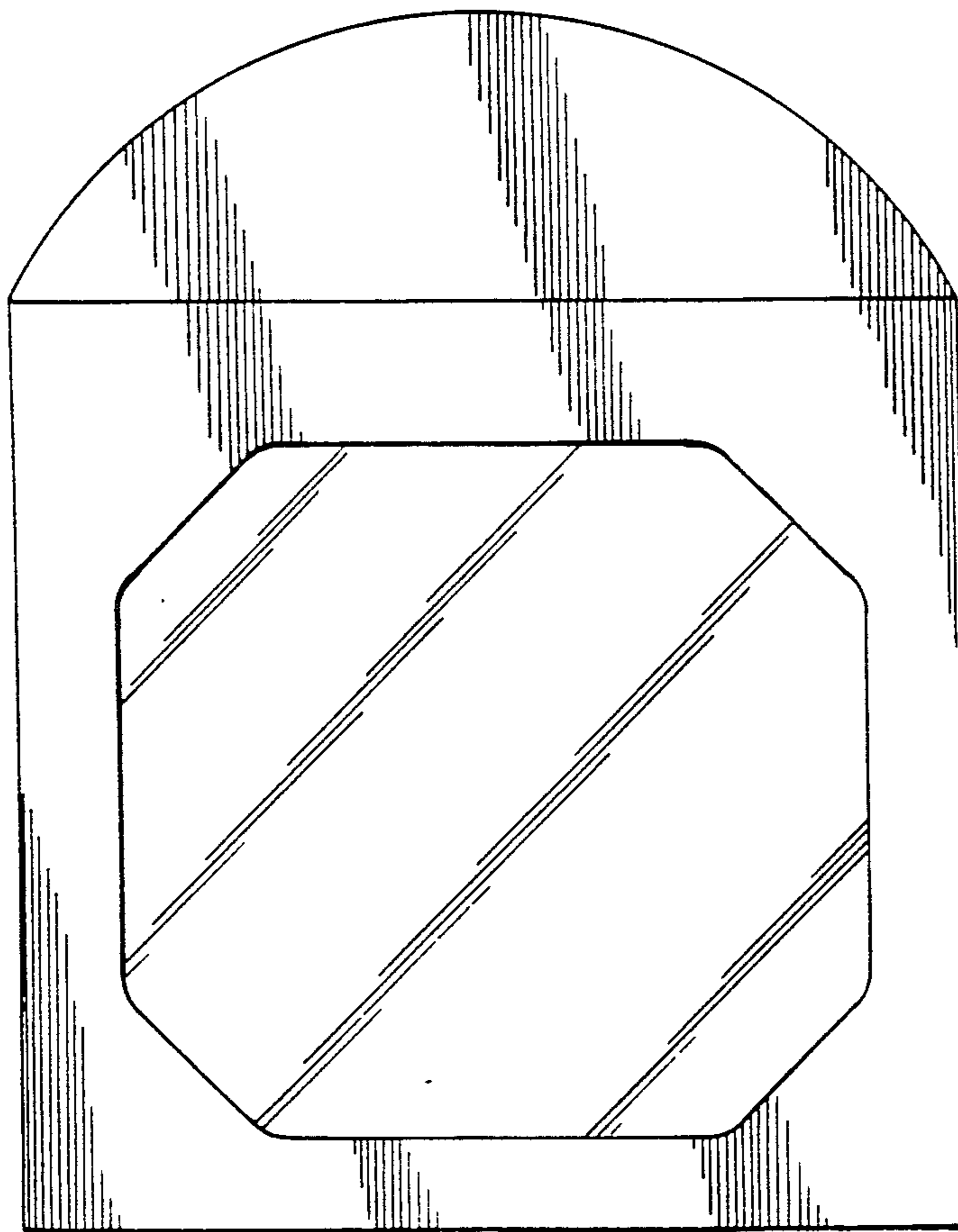


FIG. 1

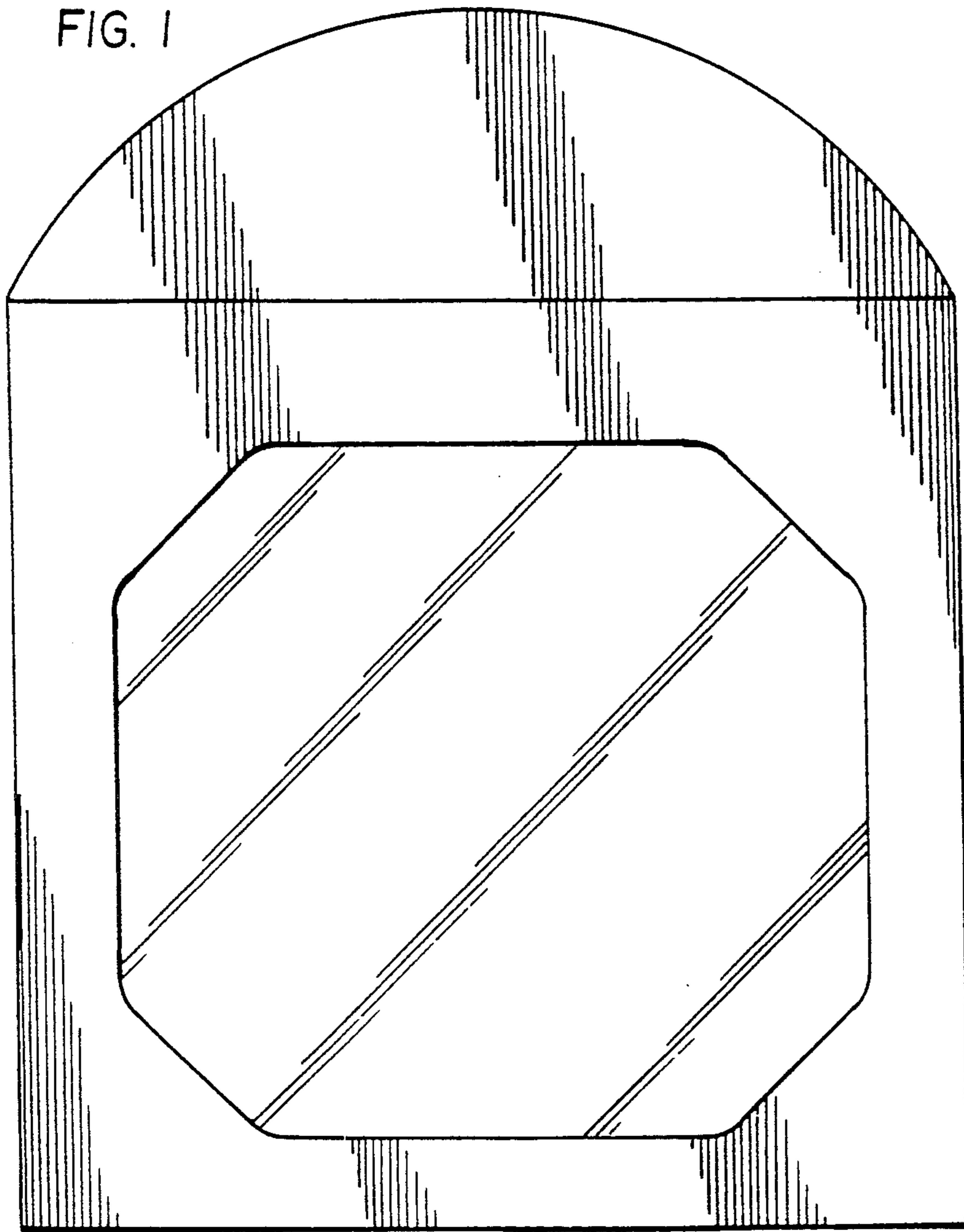


FIG. 2



FIG. 3



FIG. 4



FIG. 5

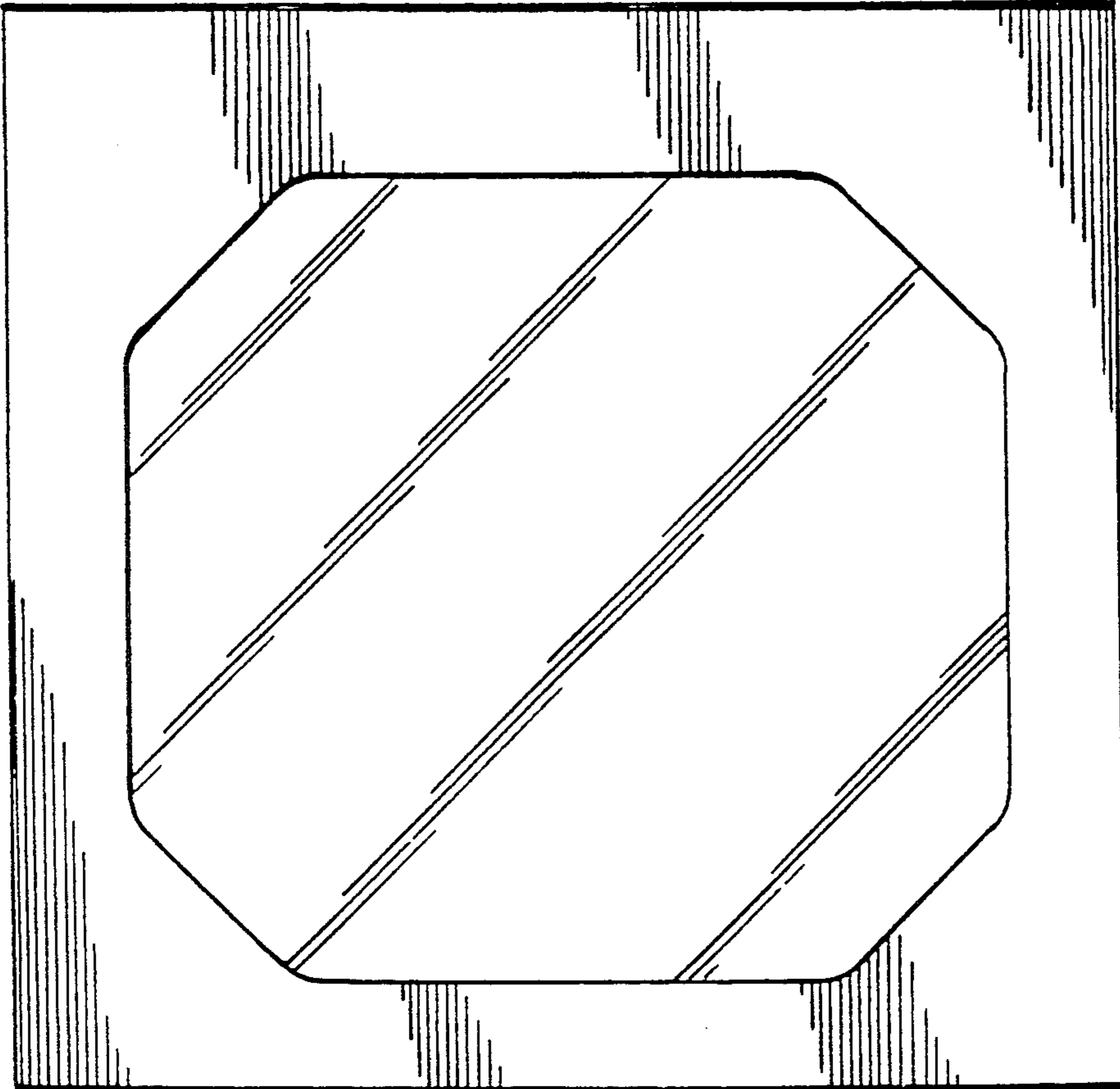


FIG. 6



FIG. 7



FIG. 8



FIG. 9

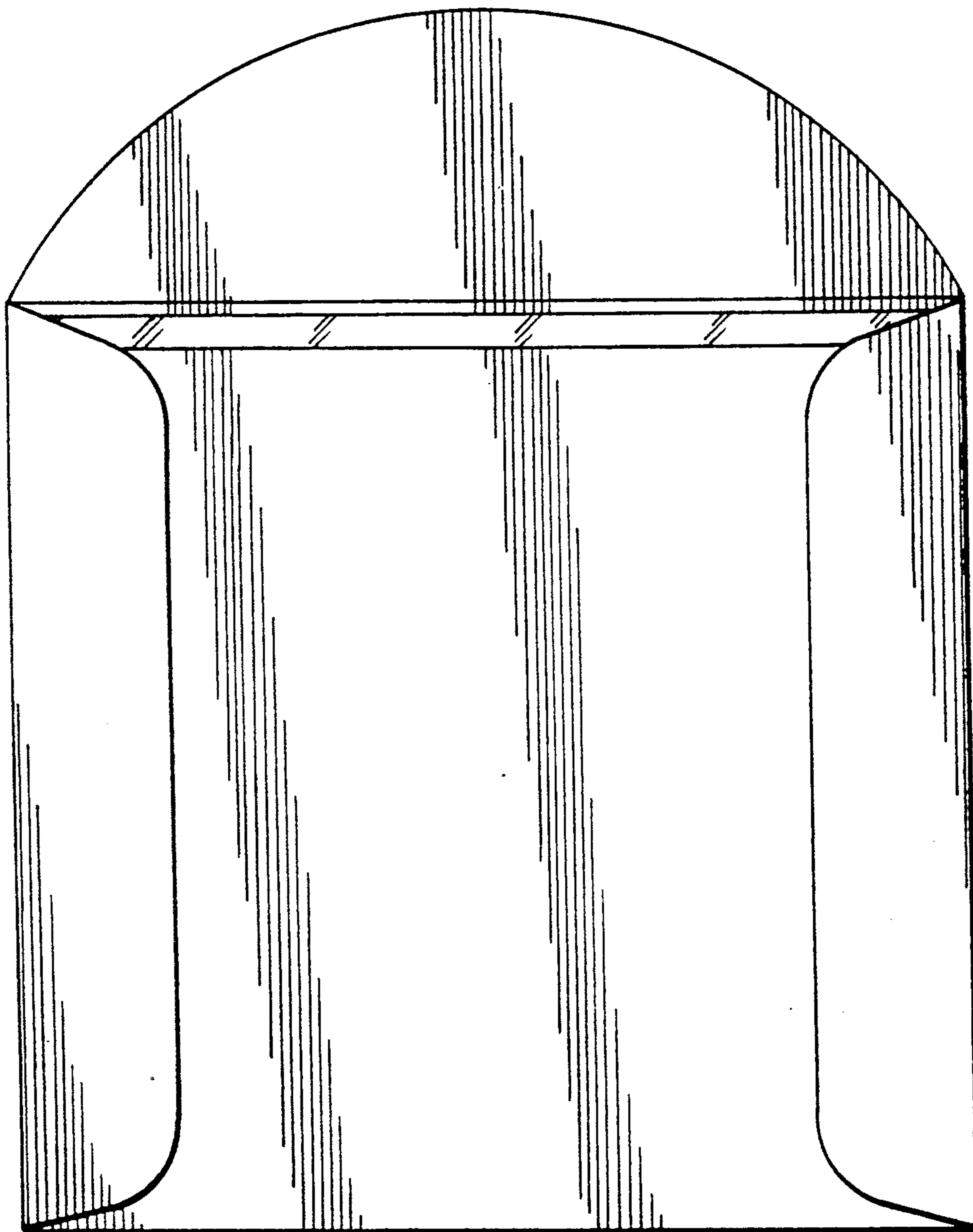


FIG. 10

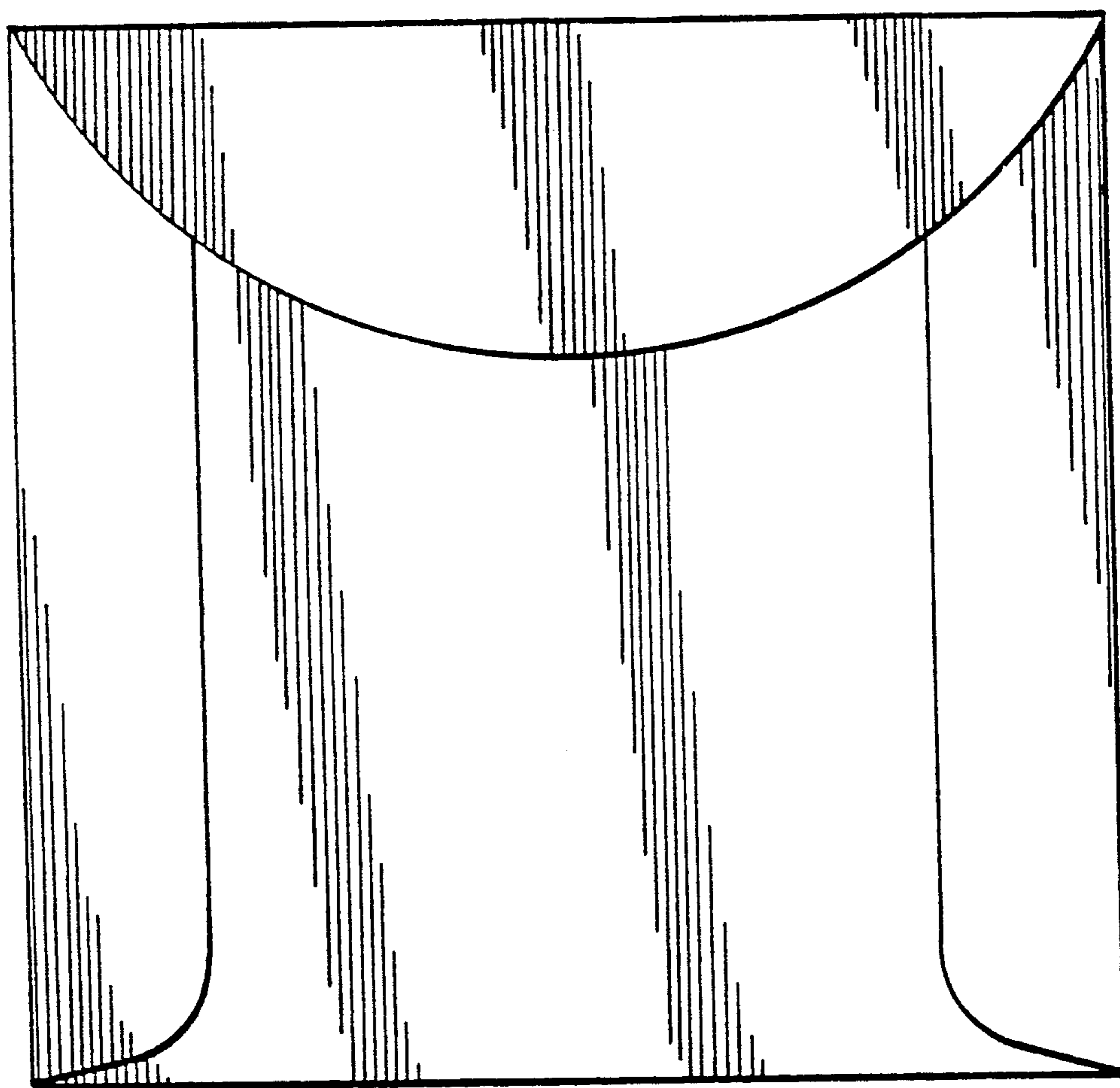


FIG. 11

