



US00D327637S

United States Patent [19]

Sanchez

[11] Patent Number: **Des. 327,637**

[45] Date of Patent: **** Jul. 7, 1992**

[54] FLANGE FOR A HOSE REEL

[75] Inventor: **Joseph J. Sanchez, Elgin, Ill.**

[73] Assignee: **Suncast Corporation, Batavia, Ill.**

[**] Term: **14 Years**

[21] Appl. No.: **564,001**

[22] Filed: **Aug. 7, 1990**

[52] U.S. Cl. **D8/358; D8/359; D34/26**

[58] Field of Search **D8/358; D12/204; 137/355.16, 355.19, 355.27, 355.26; 242/86, 56, 86.2, 86.5 R**

[56] References Cited

U.S. PATENT DOCUMENTS

21,622	6/1892	Forster	D8/358
Re. 32,510	9/1987	Tisbo et al.	137/355.27
215,646	10/1969	Anderson	D8/358
231,898	6/1974	Saxén	D8/358
270,049	8/1983	Morgan	D12/204
D. 303,446	9/1989	Kitts et al.	D34/26
4,444,435	4/1984	Honsa	D12/204 X
4,506,698	3/1985	Garcia et al.	242/86 X
5,014,925	5/1991	Camp	242/86

OTHER PUBLICATIONS

Brookstone, 1987, p. 48, hose reel, item A located in upper right hand corner of page.

Gardener's Eden, 1986, p. 41, hose reel, item F located on left hand side of page.

Ames Brochure "A Tidy Way to Reel in Profits".

Suncast 1988 Catalog, pp. 3-5.

Primary Examiner—Susan J. Lucas

Assistant Examiner—H. Baynham

Attorney, Agent, or Firm—Fitch, Even, Tabin & Flannery

[57] CLAIM

The ornamental design for a flange for a hose reel, as shown and described.

DESCRIPTION

FIG. 1 is a left side perspective view of a flange for a hose reel showing my new design;

FIG. 2 is a right side perspective view thereof;

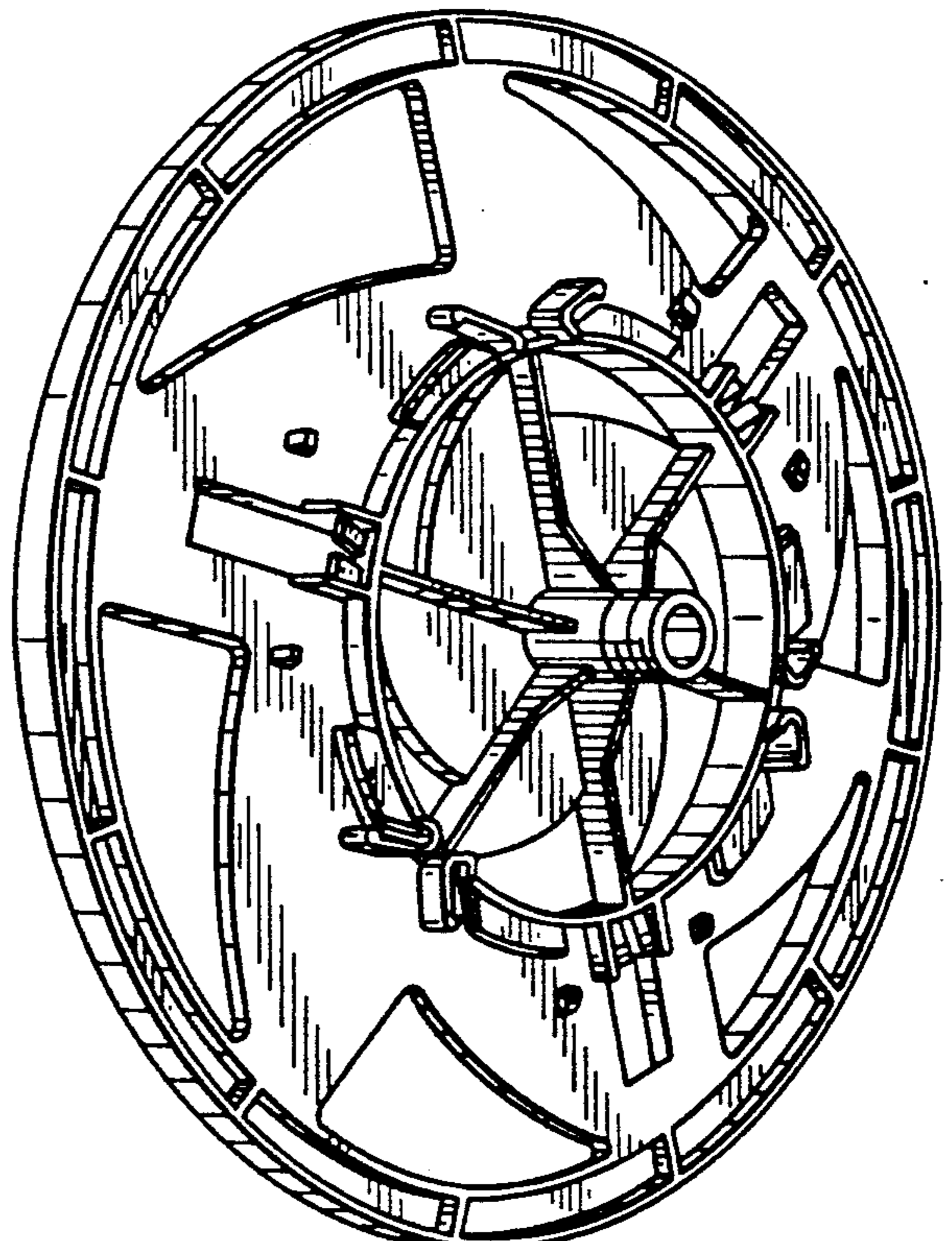
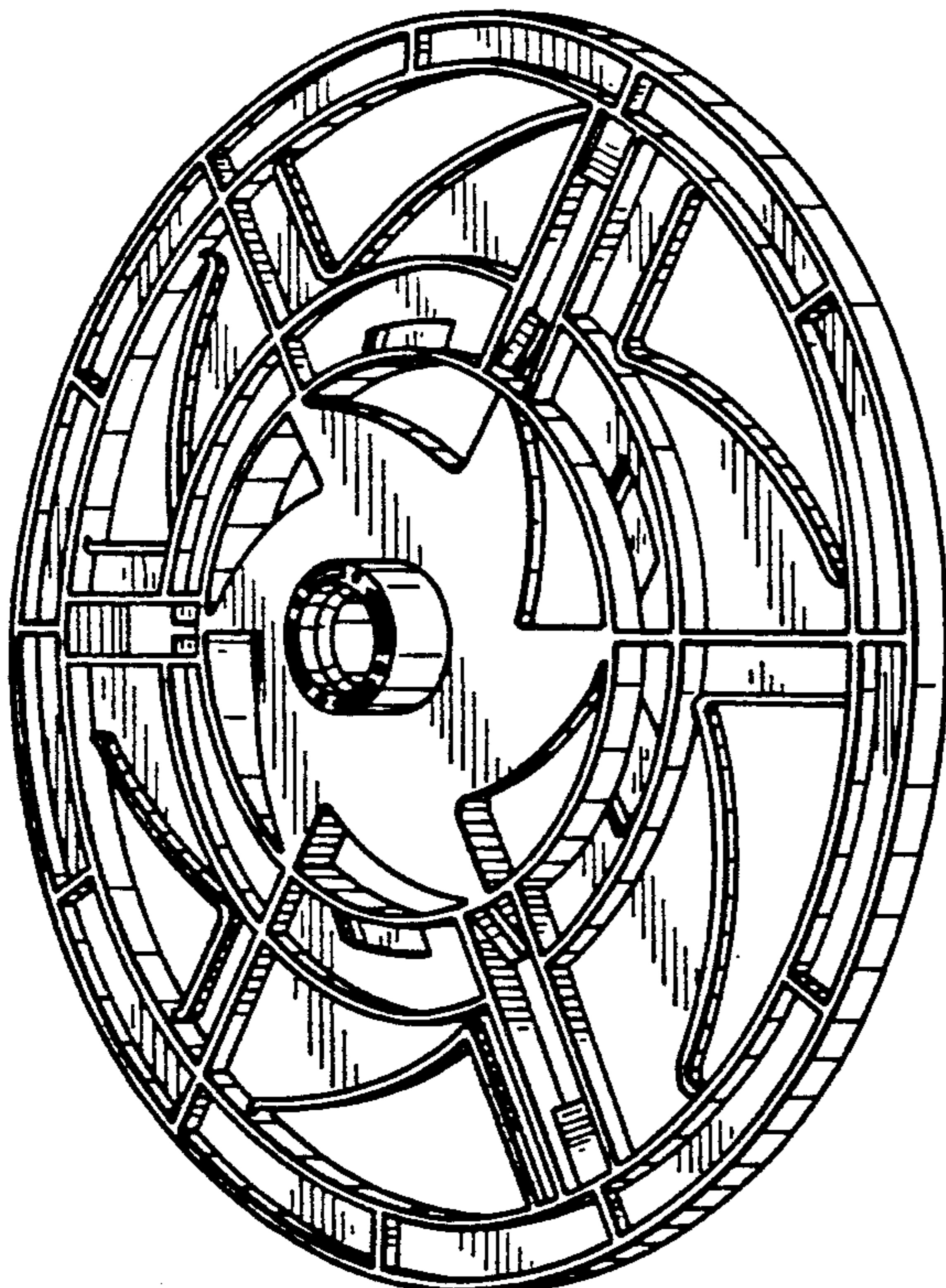
FIG. 3 is a top plan view thereof;

FIG. 4 is a bottom plan view thereof;

FIG. 5 is a front elevational view thereof;

FIG. 6 is a left side elevational view thereof; and,

FIG. 7 is a right side elevational view thereof.



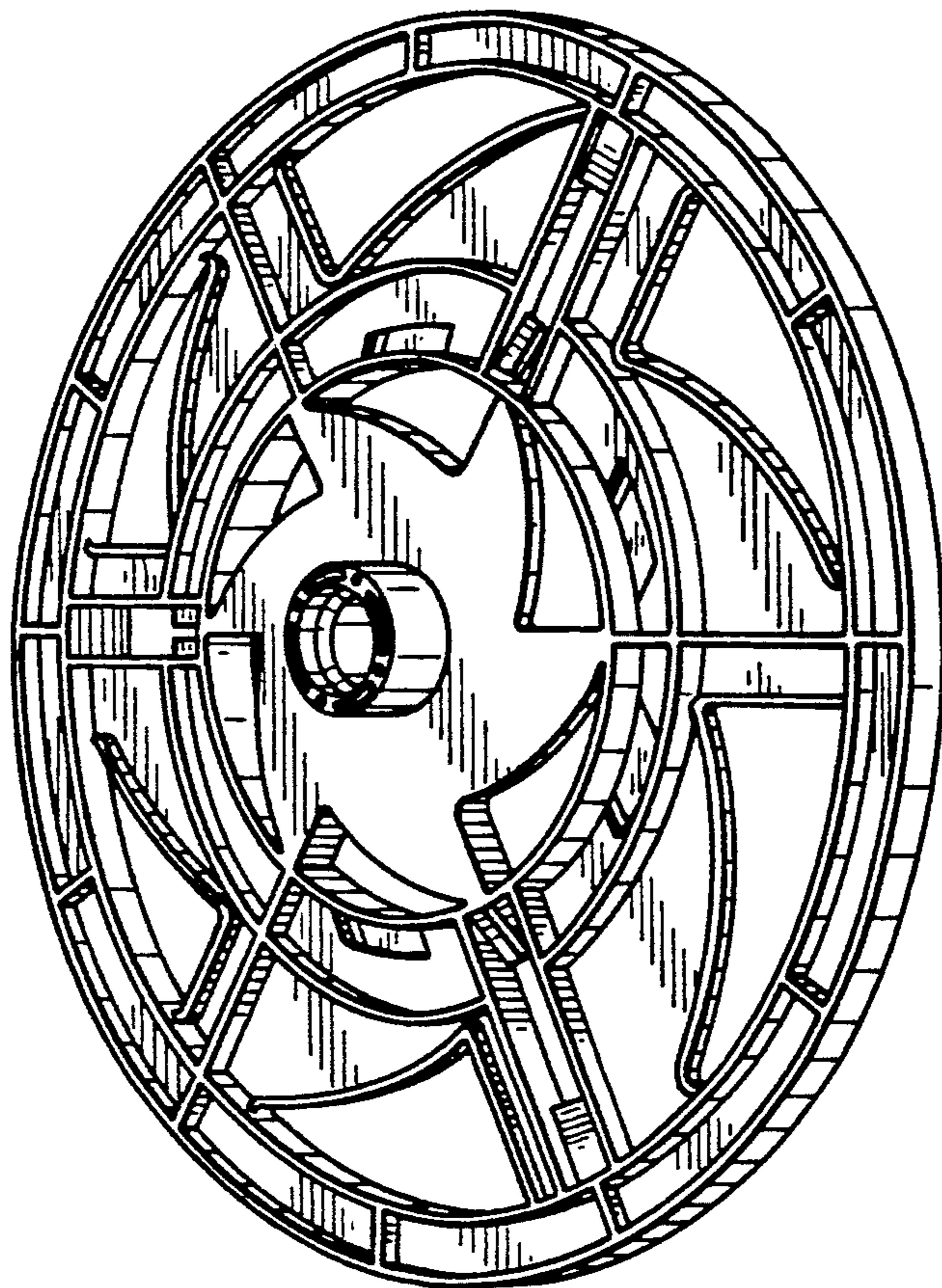


FIG. 1

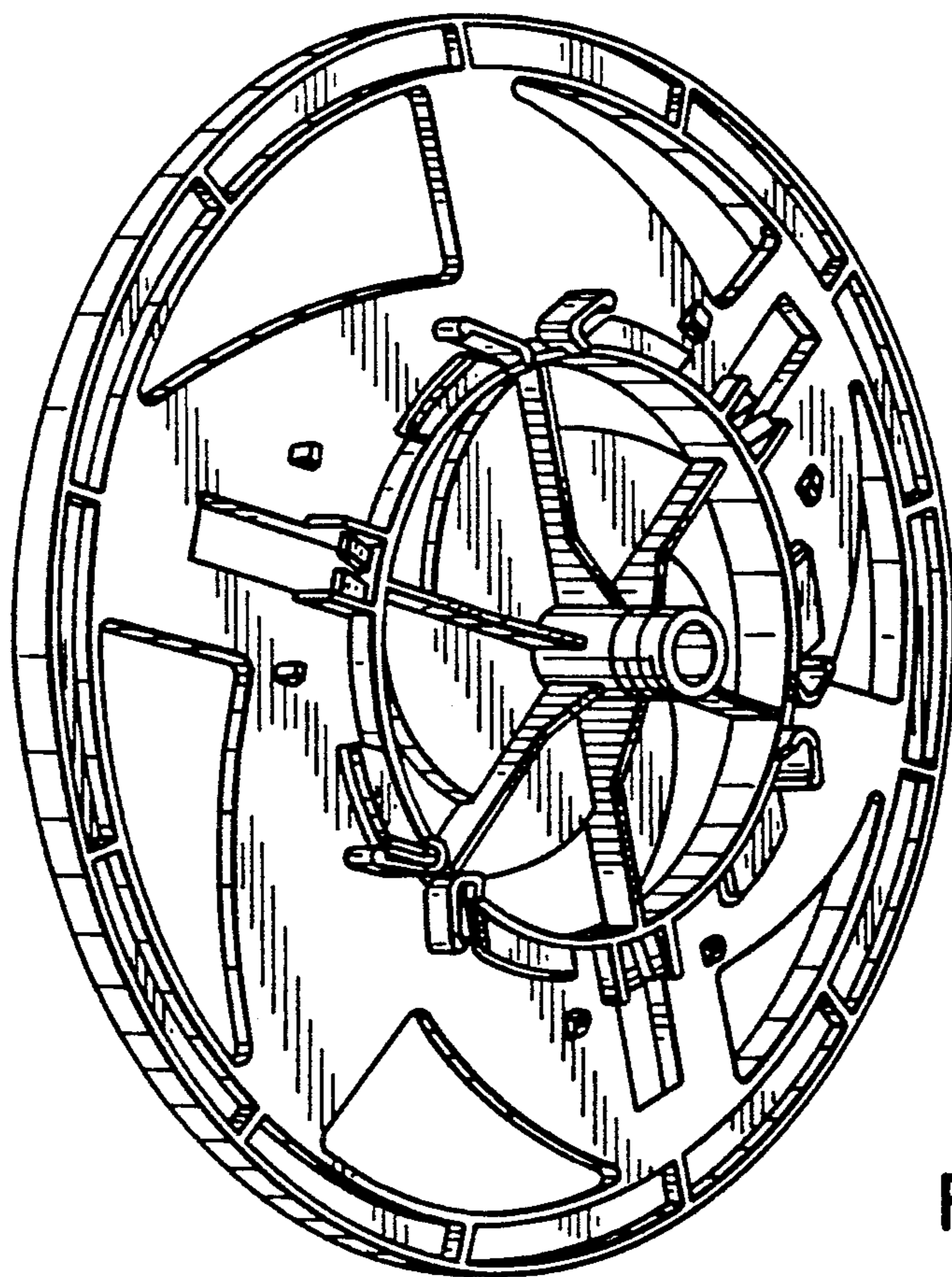


FIG. 2

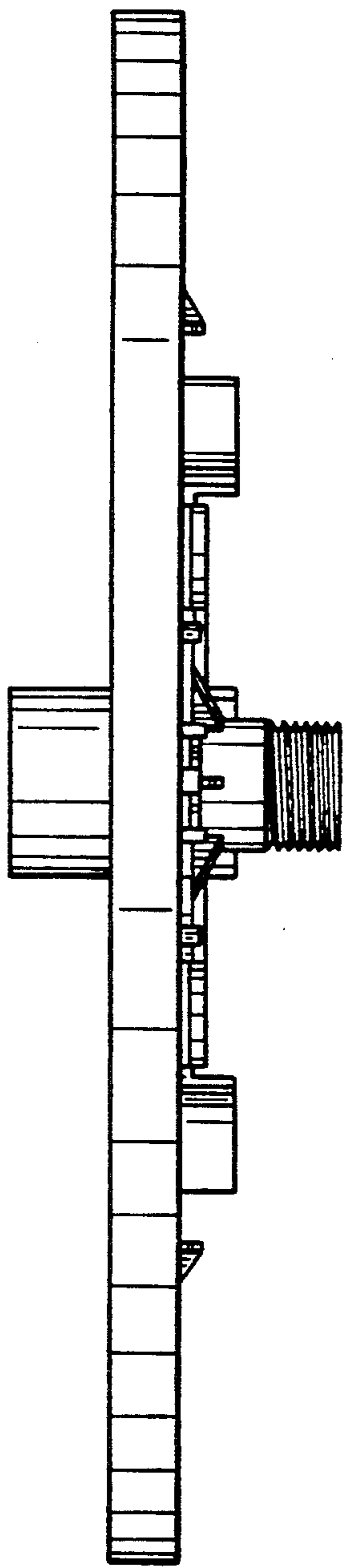


FIG. 3

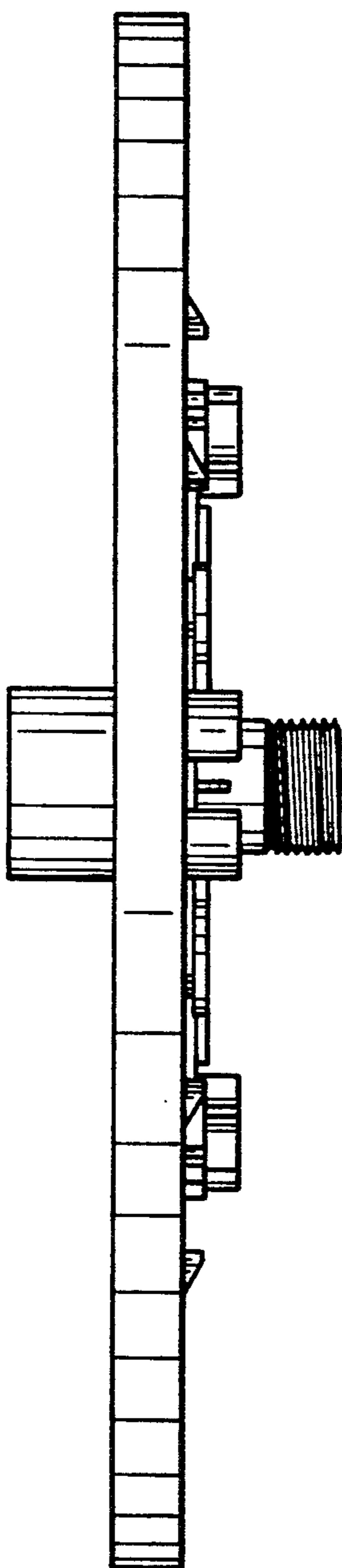


FIG. 4

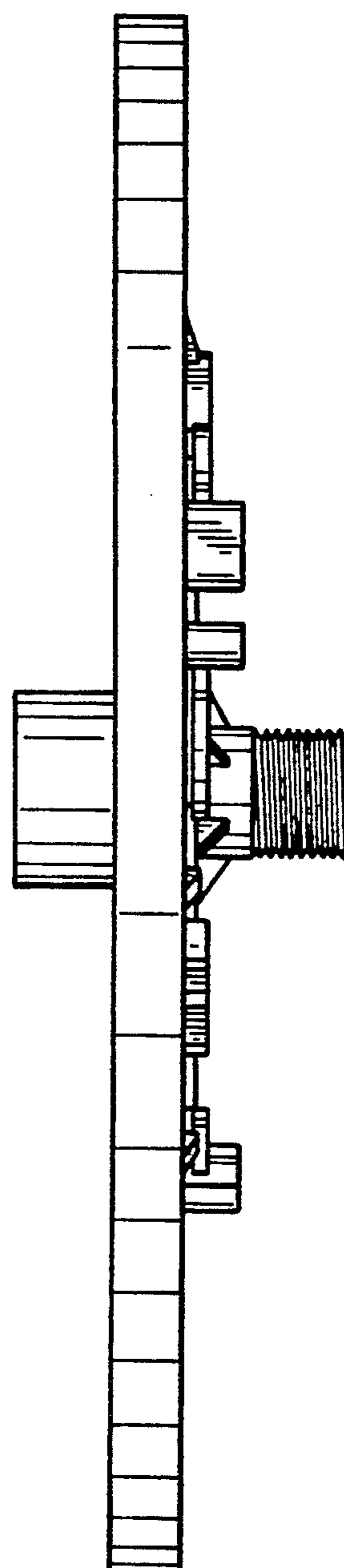


FIG. 5

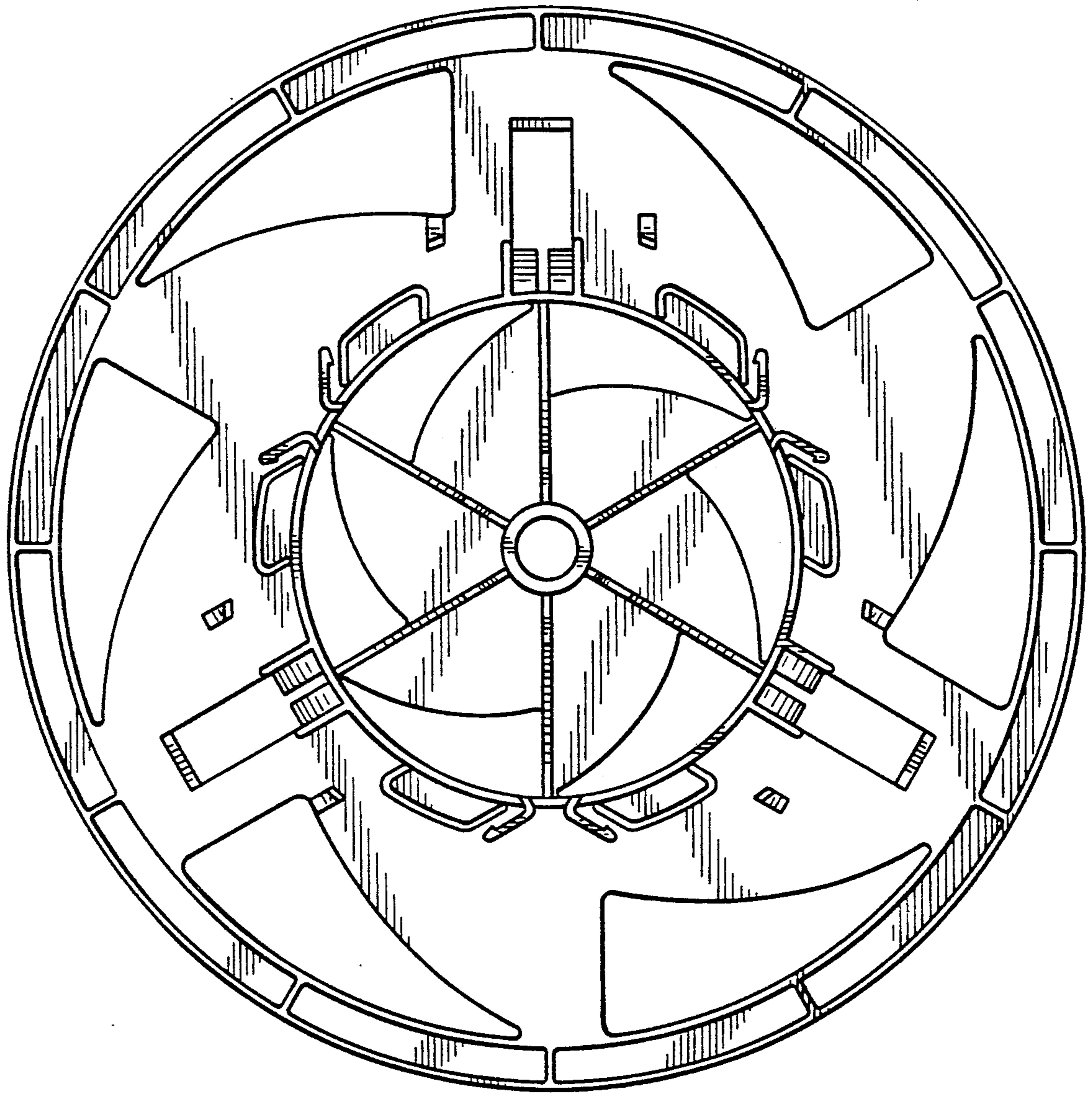


FIG. 6

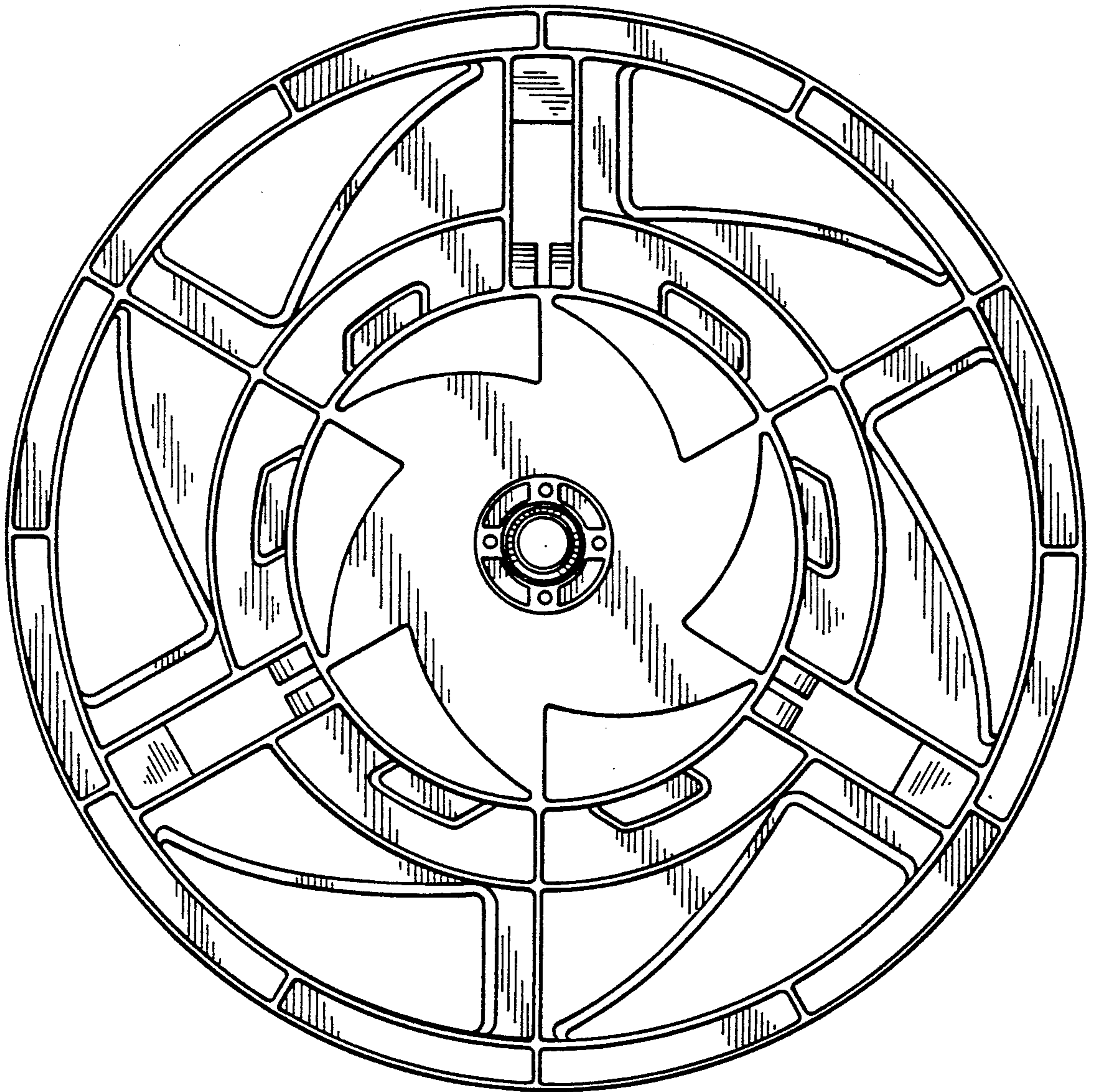


FIG. 7