



US00D327622S

United States Patent [19]

[11] Patent Number: **Des. 327,622**

Braid

[45] Date of Patent: **** Jul. 7, 1992**

[54] FILE

[76] Inventor: **Dennis G. Braid**, 8046 Oso Ave.,
Canoga Park, Calif. 91306

[**] Term: **14 Years**

[21] Appl. No.: **511,517**

[22] Filed: **Apr. 20, 1990**

[52] U.S. Cl. **D8/90**

[58] Field of Search **D8/14, 90, 107;**
29/76.1, 78, 79, 80; 51/204

[56] **References Cited**

U.S. PATENT DOCUMENTS

D. 123,184	10/1940	Cesare	D8/90
2,362,491	11/1944	Linden	29/78
2,906,612	9/1959	Anthony et al.	51/204
2,976,602	3/1961	Nelson	29/78
4,941,246	7/1990	Finnegan	29/78

OTHER PUBLICATIONS

Better Homes and Gardens, Apr. 1978, p. 31, Disston Files.

Primary Examiner—Bernard Ansher

Assistant Examiner—Philip Hyder

Attorney, Agent, or Firm—Poms, Smith, Lande & Rose

[57] **CLAIM**

The ornamental design for a file, as shown and described.

DESCRIPTION

FIG. 1 is a perspective view of a file, showing my new design;

FIG. 2 is a top plan view thereof;

FIG. 3 is a left side elevational view thereof; the right side being a mirror image;

FIG. 4 is a bottom plan view thereof;

FIG. 5 is a front elevational view thereof;

FIG. 6 is a rear elevational view thereof; and,

FIG. 7 is a cross sectional view taken along line 7—7 of FIG. 1.

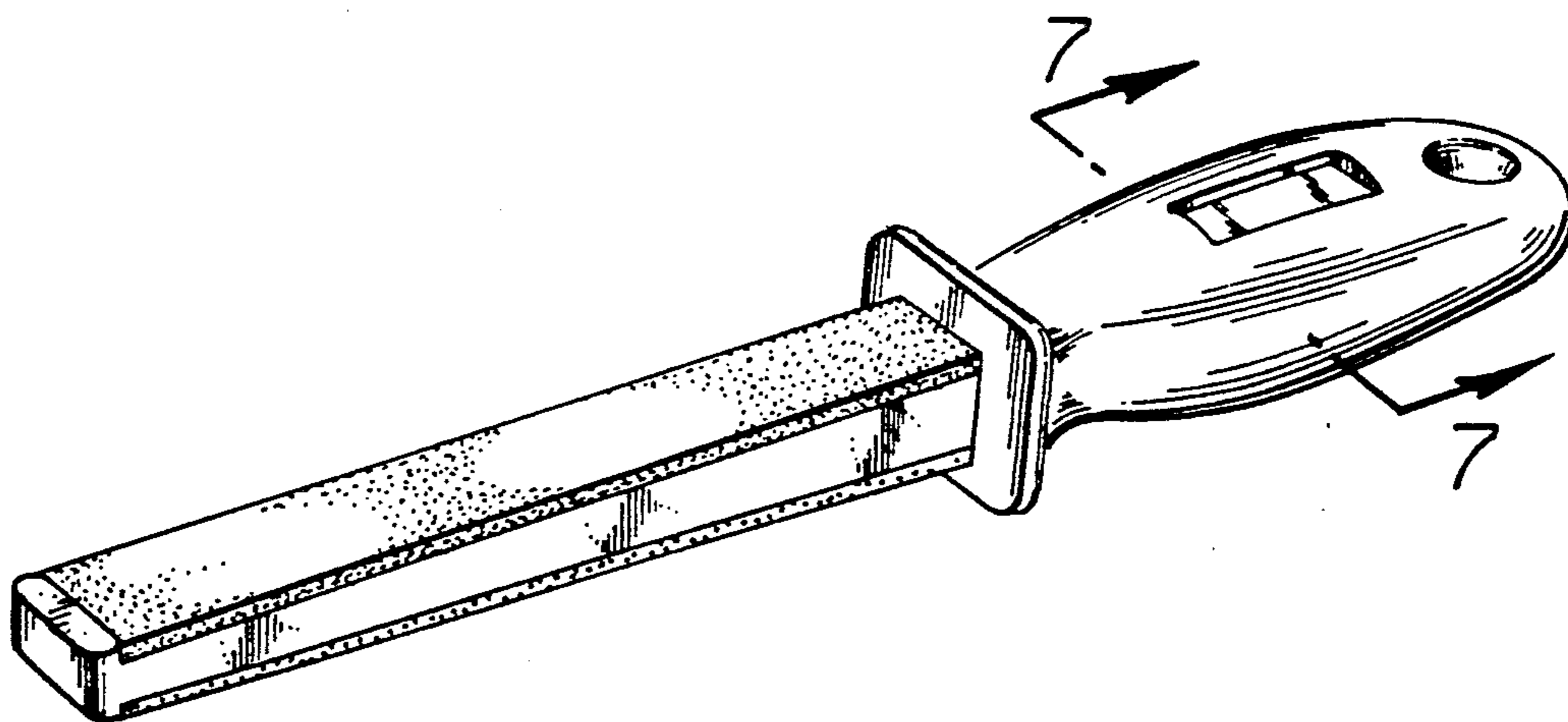


FIG. 1

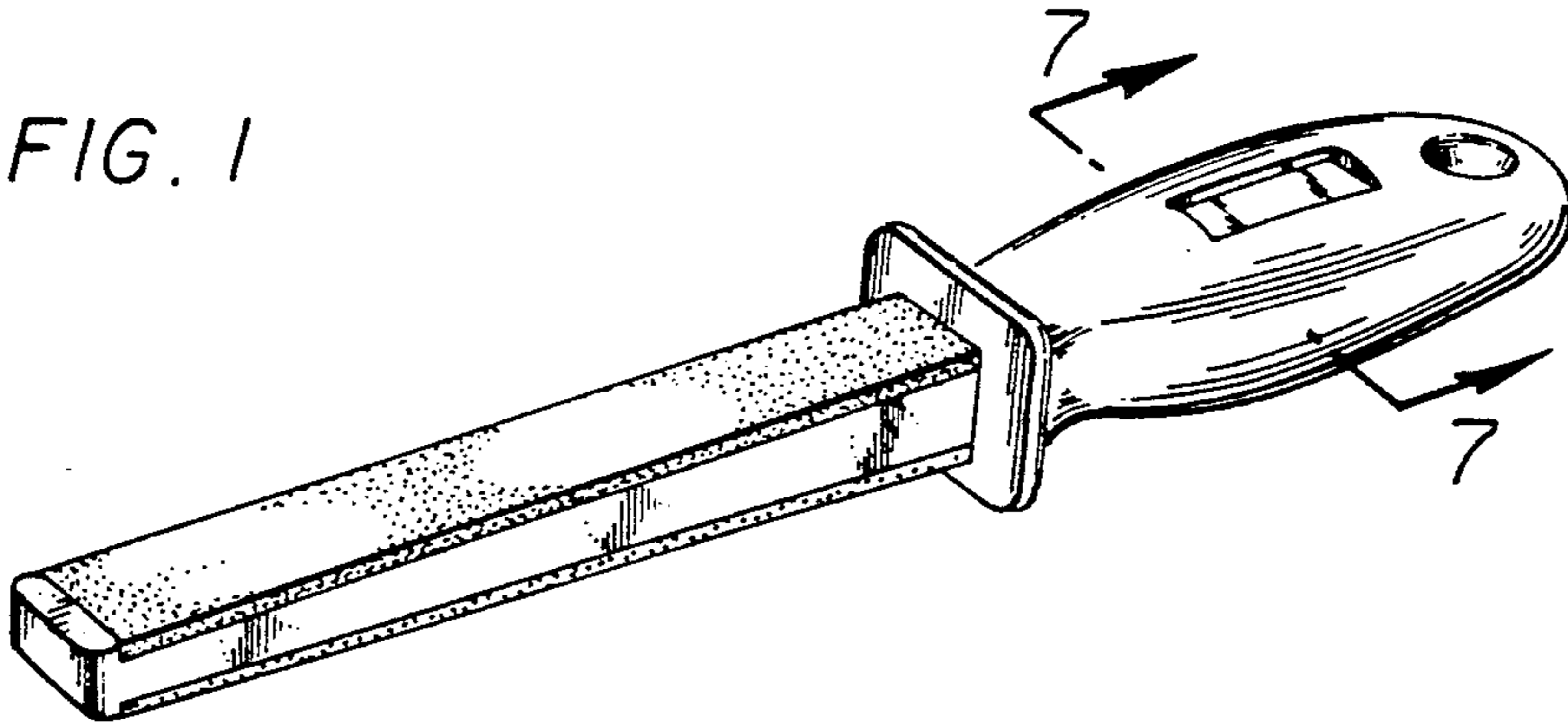


FIG. 2

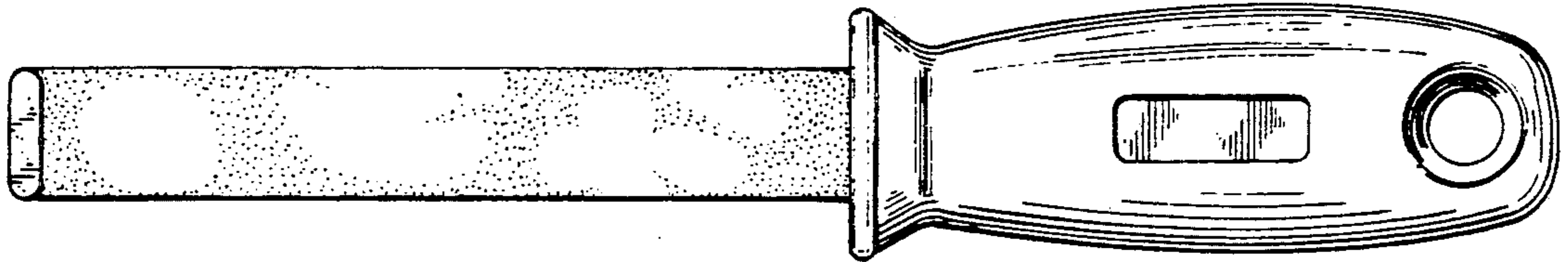


FIG. 3

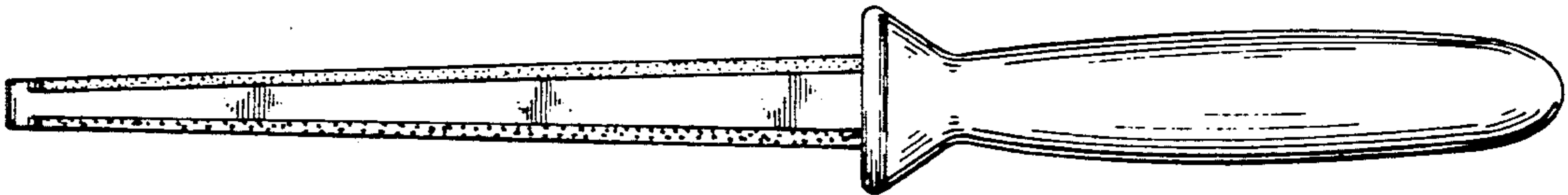


FIG. 4

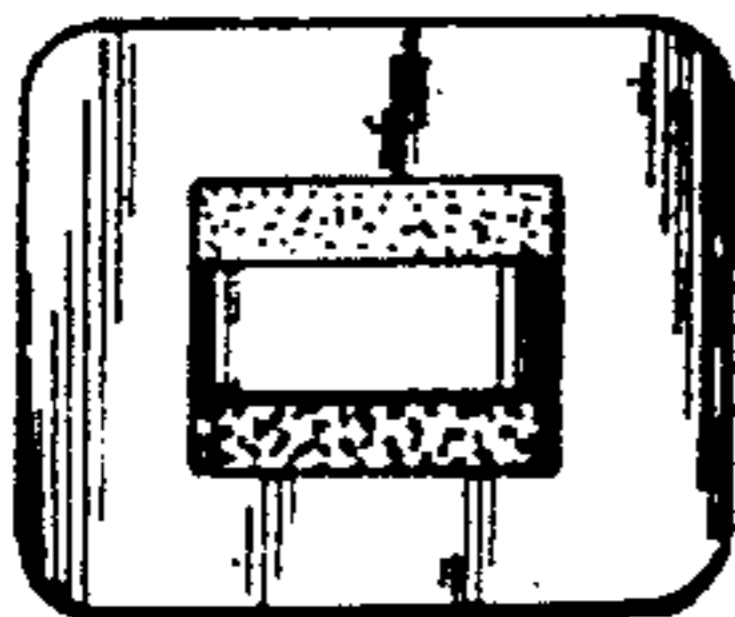
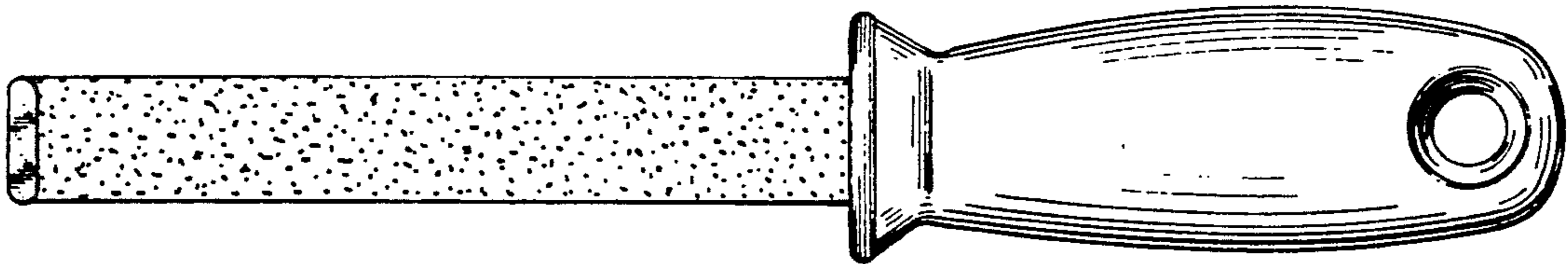


FIG. 5

FIG. 7

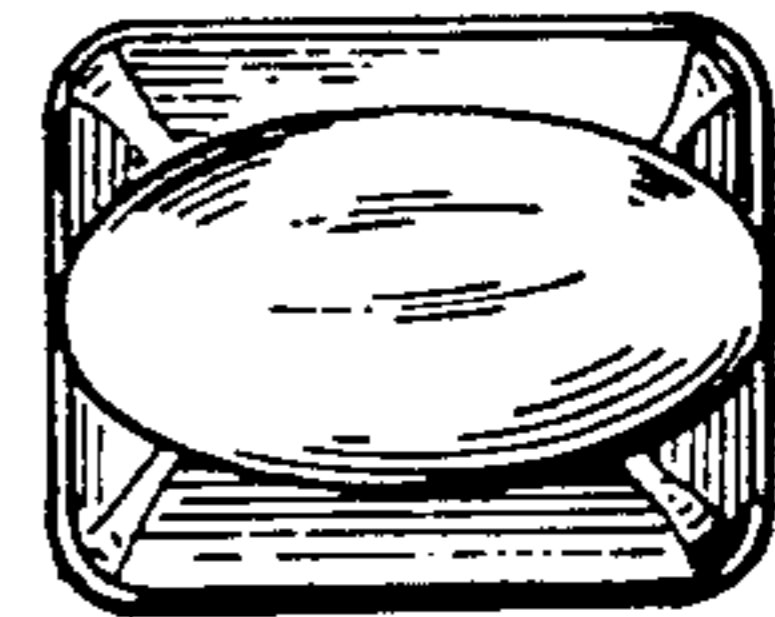
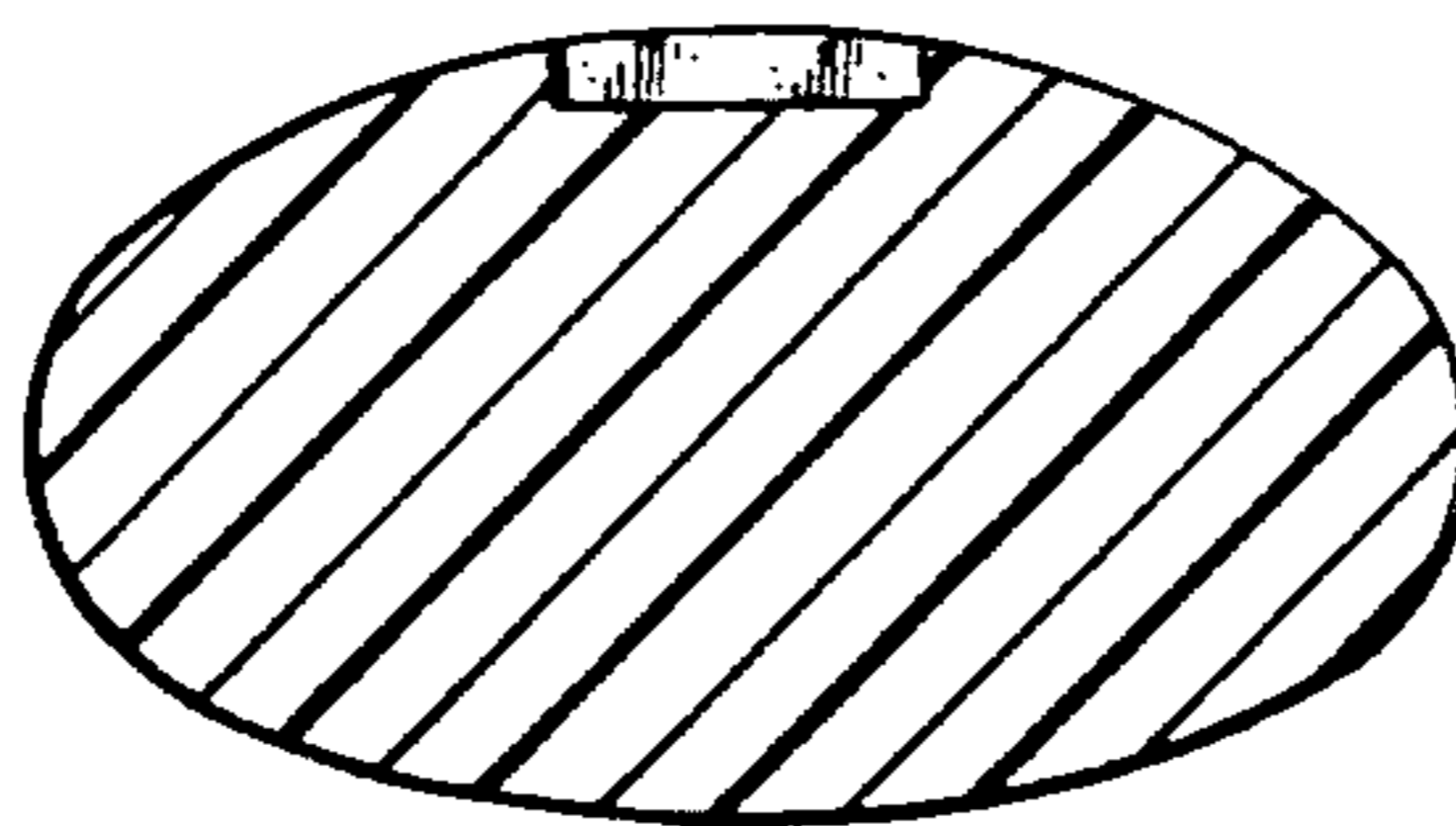


FIG. 6