



US00D327620S

United States Patent [19]

[11] Patent Number: **Des. 327,620**

Fisher

[45] Date of Patent: **** Jul. 7, 1992**

- [54] **ANGLED PNEUMATIC TOOL**
- [75] Inventor: **Irving Fisher, Sherman Oaks, Calif.**
- [73] Assignee: **Fisher Tool Co., Inc., Los Angeles, Calif.**
- [**] Term: **14 Years**
- [21] Appl. No.: **509,703**
- [22] Filed: **Apr. 16, 1990**
- [52] U.S. Cl. **D8/68**
- [58] Field of Search **D8/61, 60, 68; 81/54, 81/57.11, 57.13; 173/170**

- D. 289,135 4/1987 Doman **D8/61**
- D. 320,541 10/1991 Staubitz et al. **D8/61**

Primary Examiner—Donald P. Walsh
Assistant Examiner—J. H. Musgrove
Attorney, Agent, or Firm—Thomas I. Rozsa

[57] CLAIM

The ornamental design for a angled pneumatic tool, as shown and described.

DESCRIPTION

FIG. 1 is a top, front and right-side perspective view of a angled pneumatic tool showing my new design;
 FIG. 2 is a top plan view;
 FIG. 3 is a bottom plan view;
 FIG. 4 is a left side elevational view;
 FIG. 5 is a front elevational view; and,
 FIG. 6 is a rear elevational view.

[56] References Cited

U.S. PATENT DOCUMENTS

- D. 269,846 7/1983 Izumisawa **D8/62**
- D. 269,938 8/1983 Izumisawa **D8/61**

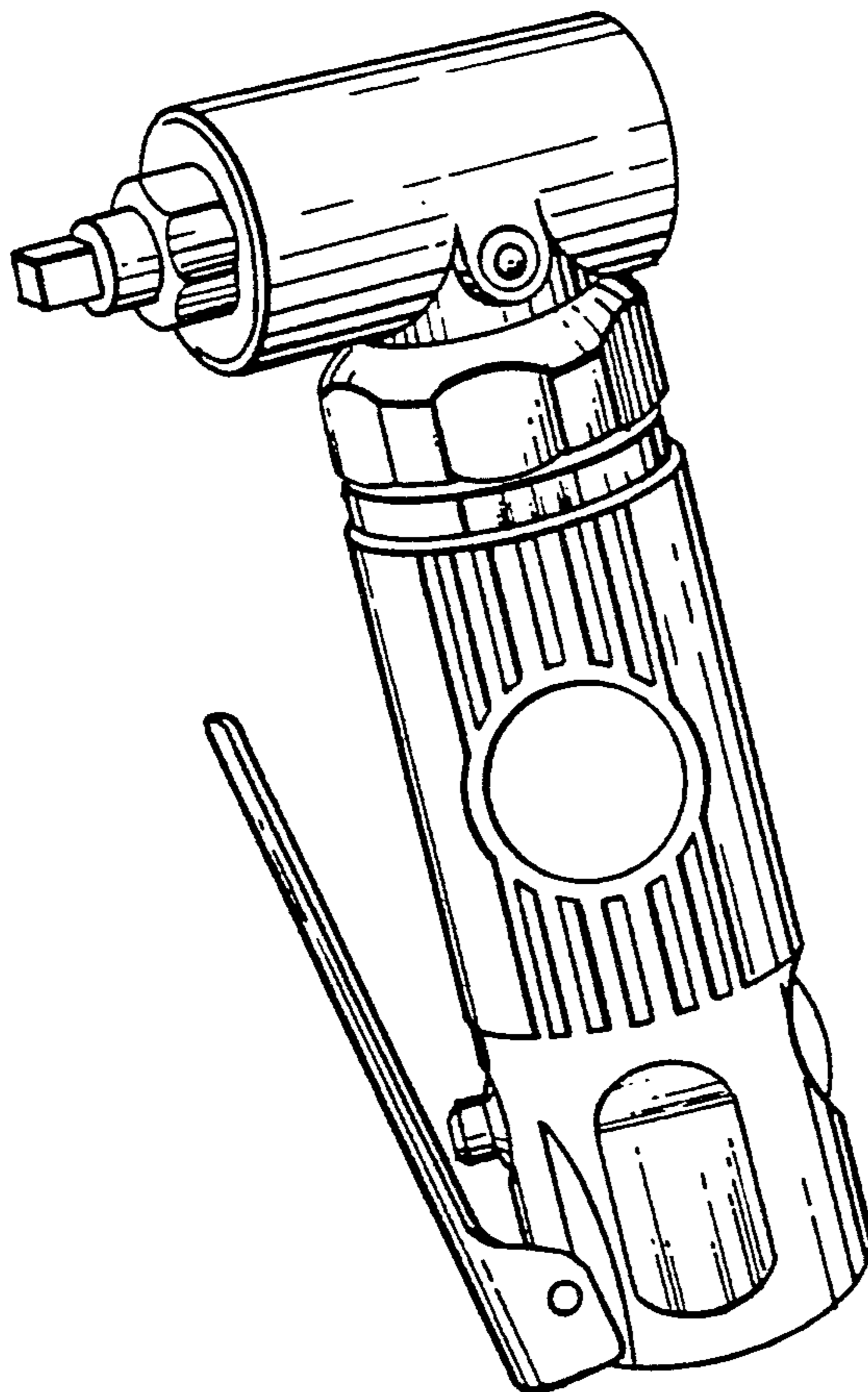


Fig. 1.

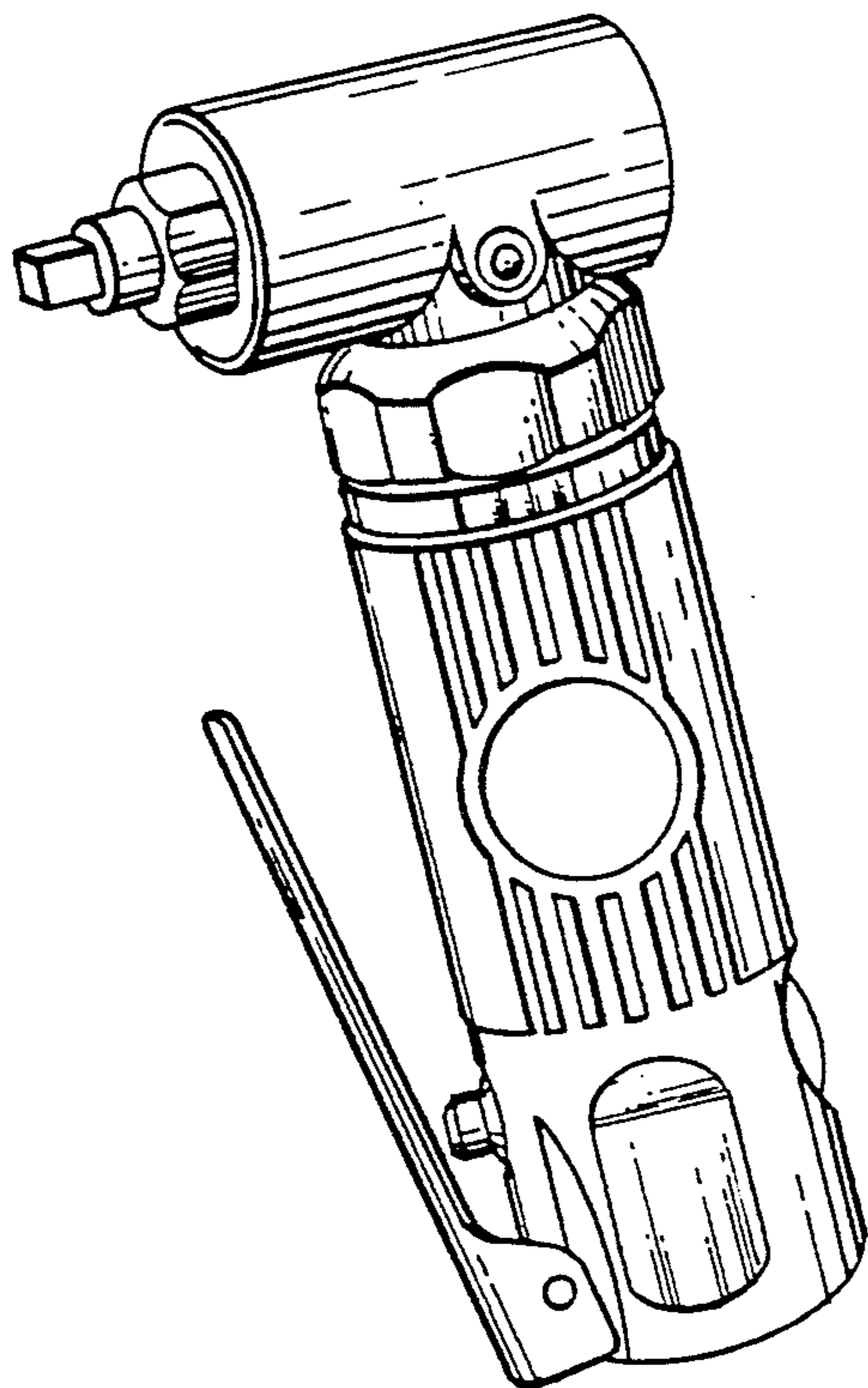


Fig. 2.

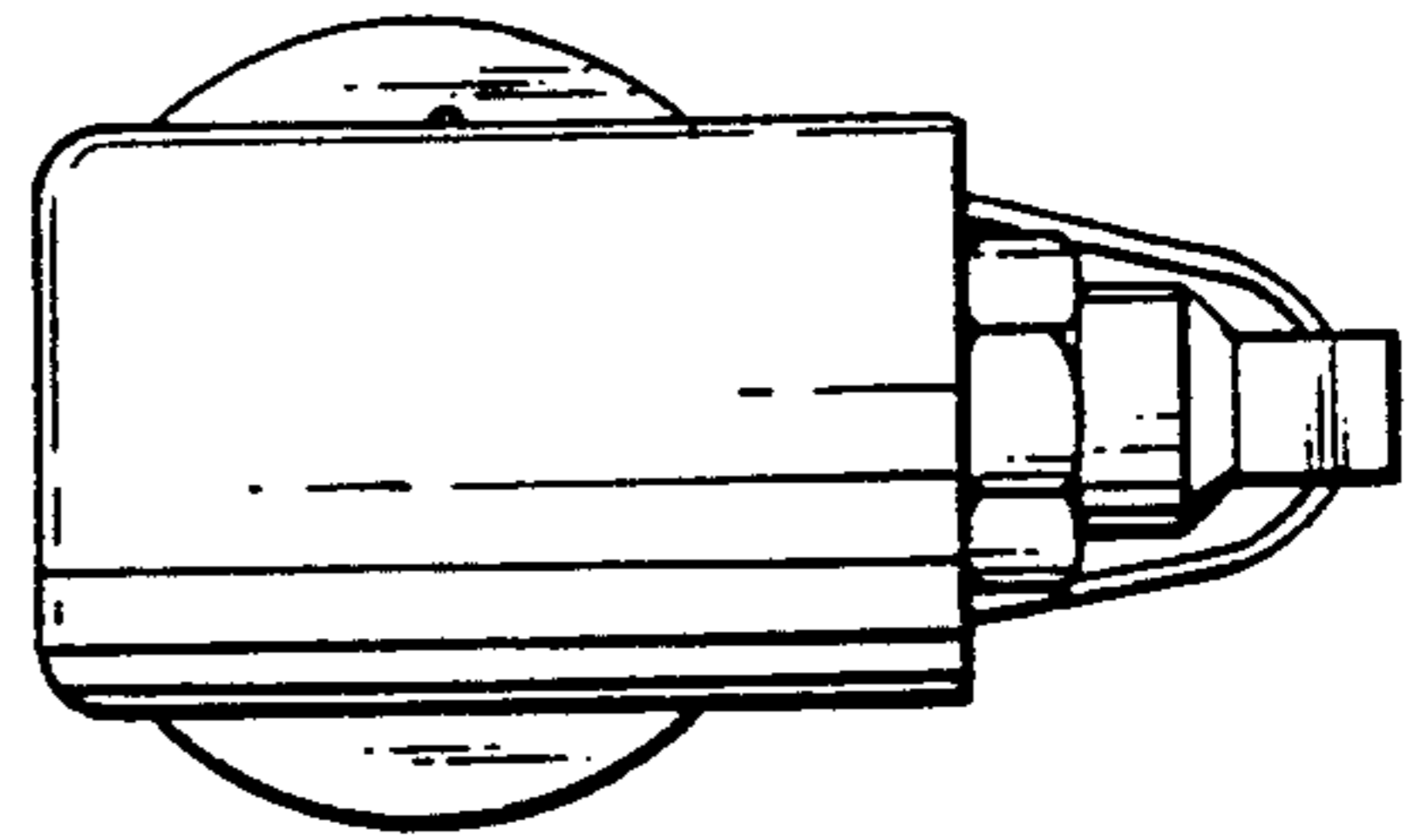


Fig. 3.

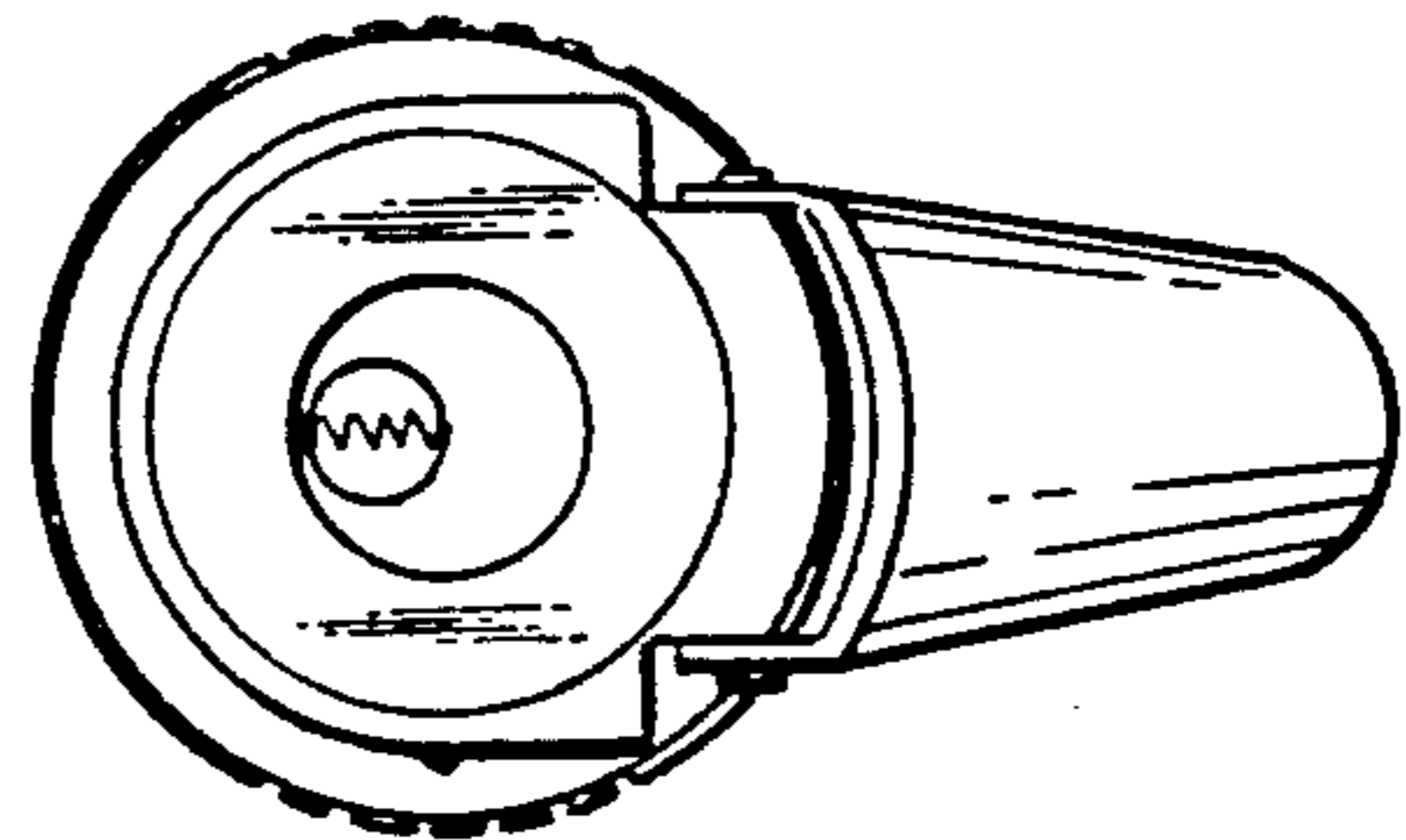


Fig. 4.

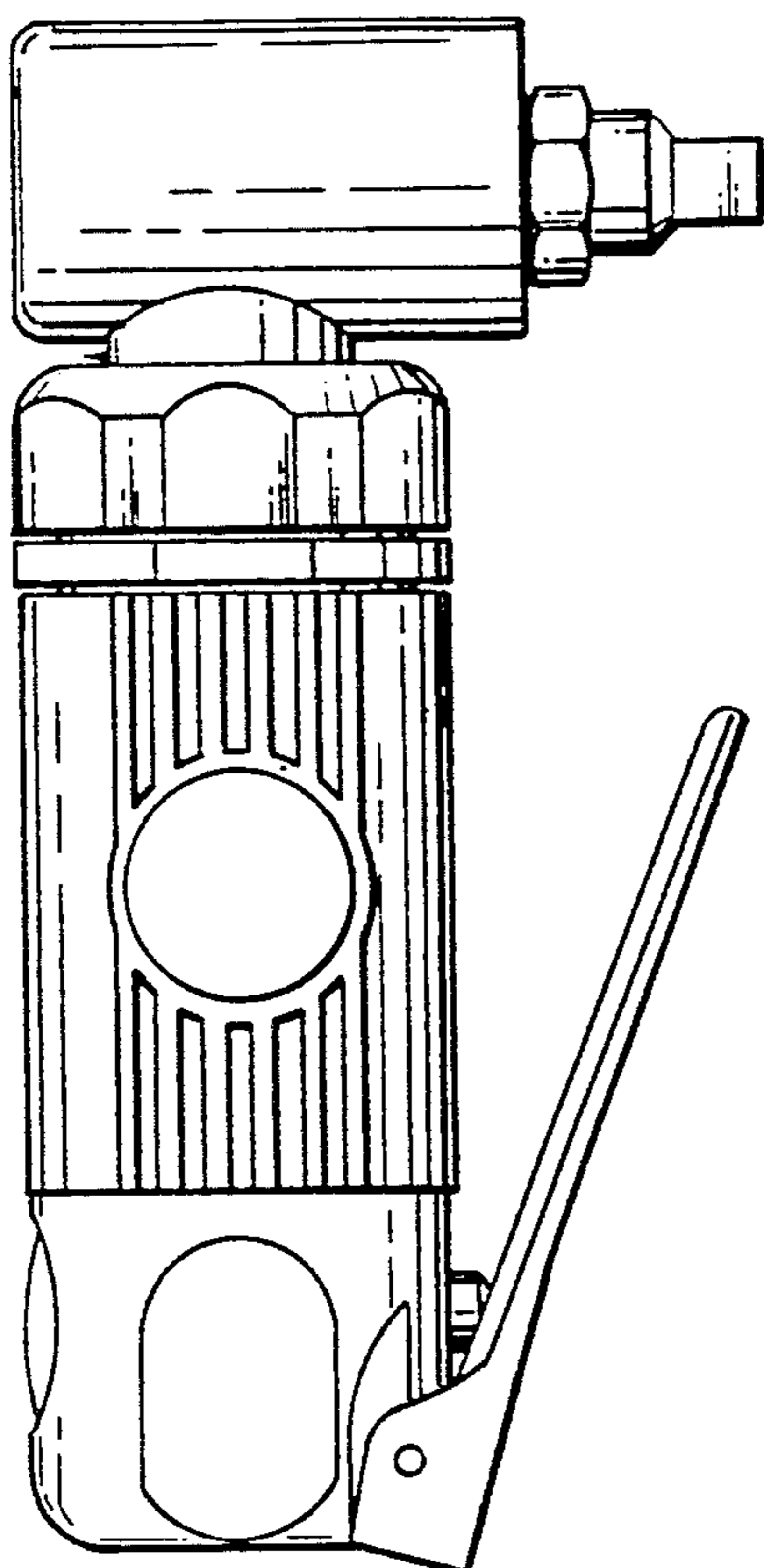


Fig. 5.

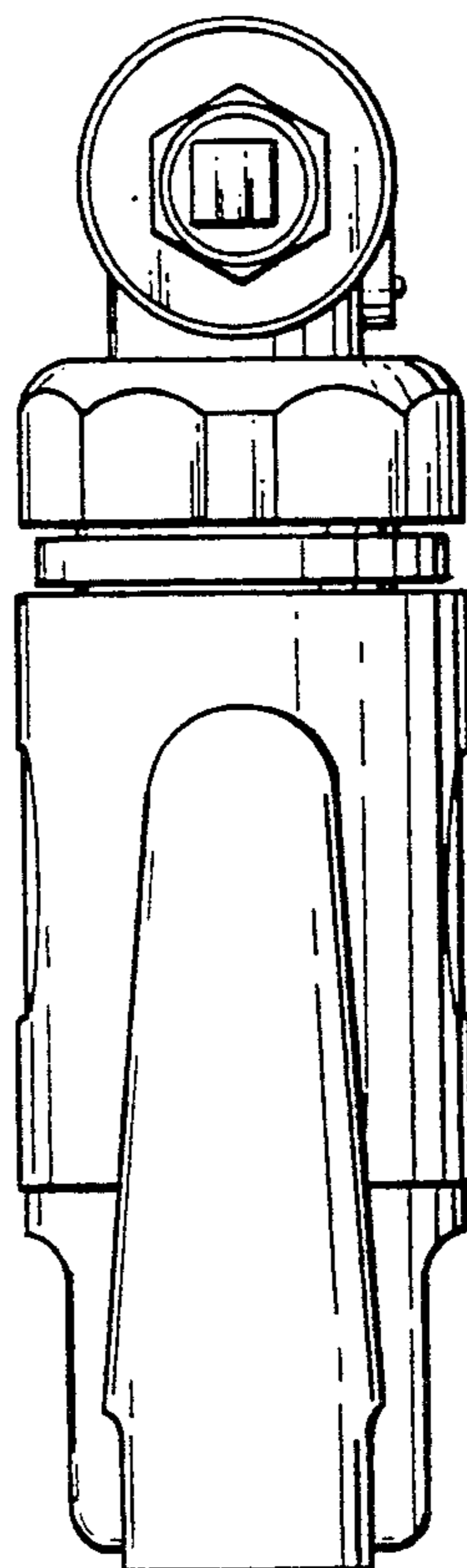


Fig. 6.

