



US00D327619S

United States Patent [19]

[11] Patent Number: **Des. 327,619**

Tsai

[45] Date of Patent: **** Jul. 7, 1992**

[54] **ELECTRIC DRILL**

[76] Inventor: **Feng C. Tsai**, No. 1, Alley 2, Lane 19, Shu-Lin 8th Street, Taoyuan, Taiwan

[**] Term: **14 Years**

[21] Appl. No.: **469,823**

[22] Filed: **Jan. 22, 1990**

[52] U.S. Cl. **D8/68**

[58] Field of Search **D8/61, 68; 81/54, 57, 81/57.11, 57.14; 173/163, 170; 408/124, 125, 127; 310/50**

[56] **References Cited**

U.S. PATENT DOCUMENTS

D. 314,498 2/1991 Hoshino et al. **D8/68**
4,493,223 1/1985 Kishi et al. **173/163**

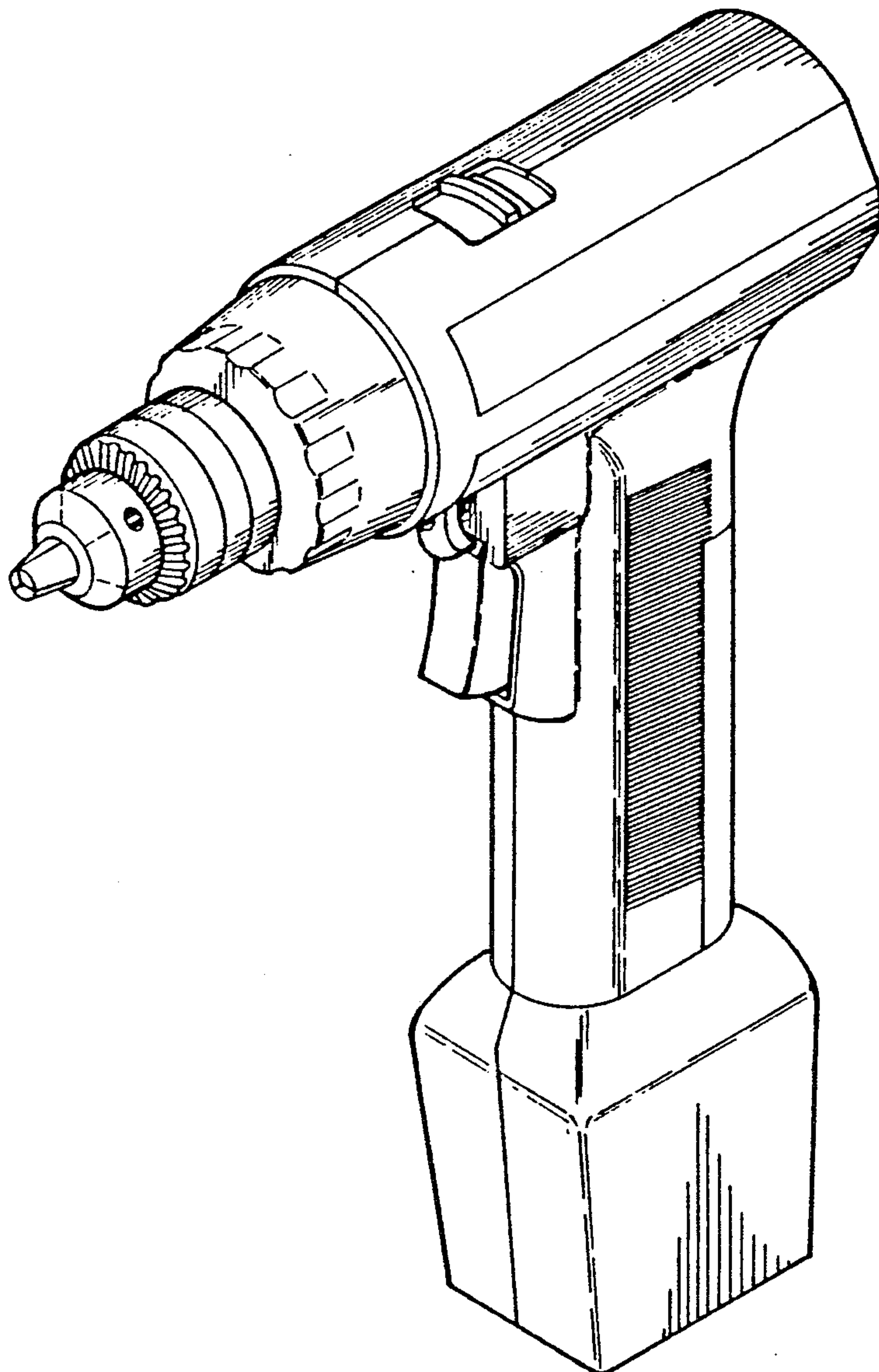
Primary Examiner—Donald P. Walsh
Assistant Examiner—J. H. Musgrove
Attorney, Agent, or Firm—Cushman, Darby & Cushman

[57] **CLAIM**

The ornamental design for an electric drill, as shown and described.

DESCRIPTION

FIG. 1 is a top, front and right side perspective view of an electric drill showing my new design;
FIG. 2 is a left side elevational view thereof;
FIG. 3 is a right side elevational view thereof;
FIG. 4 is a front elevational view thereof;
FIG. 5 is a rear elevational view thereof;
FIG. 6 is a top plan view thereof;
FIG. 7 is a bottom plan view thereof; and,
FIG. 8 is a perspective view thereof, wherein a cover for storing tool heads is opened.



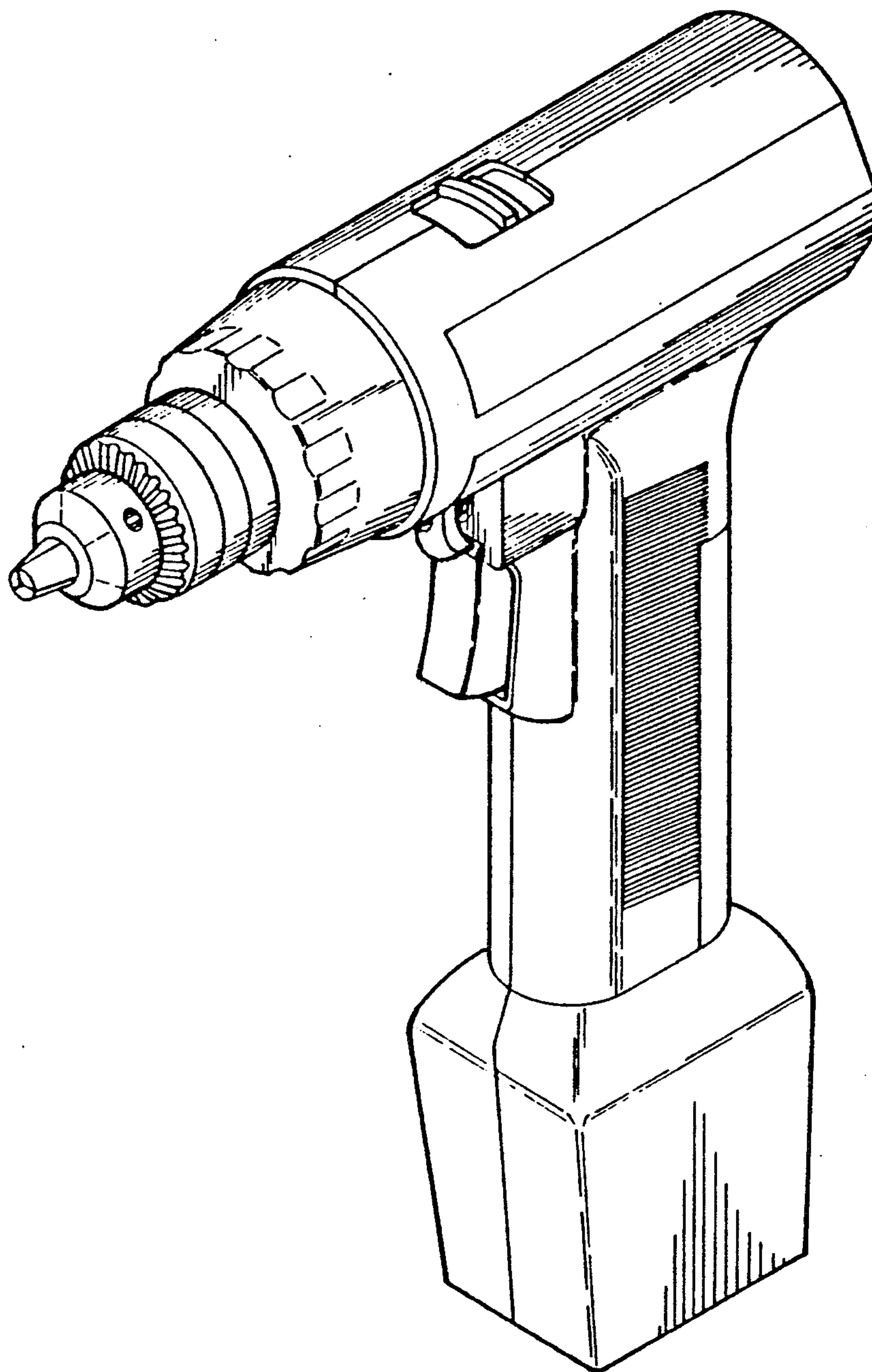


FIG . 1

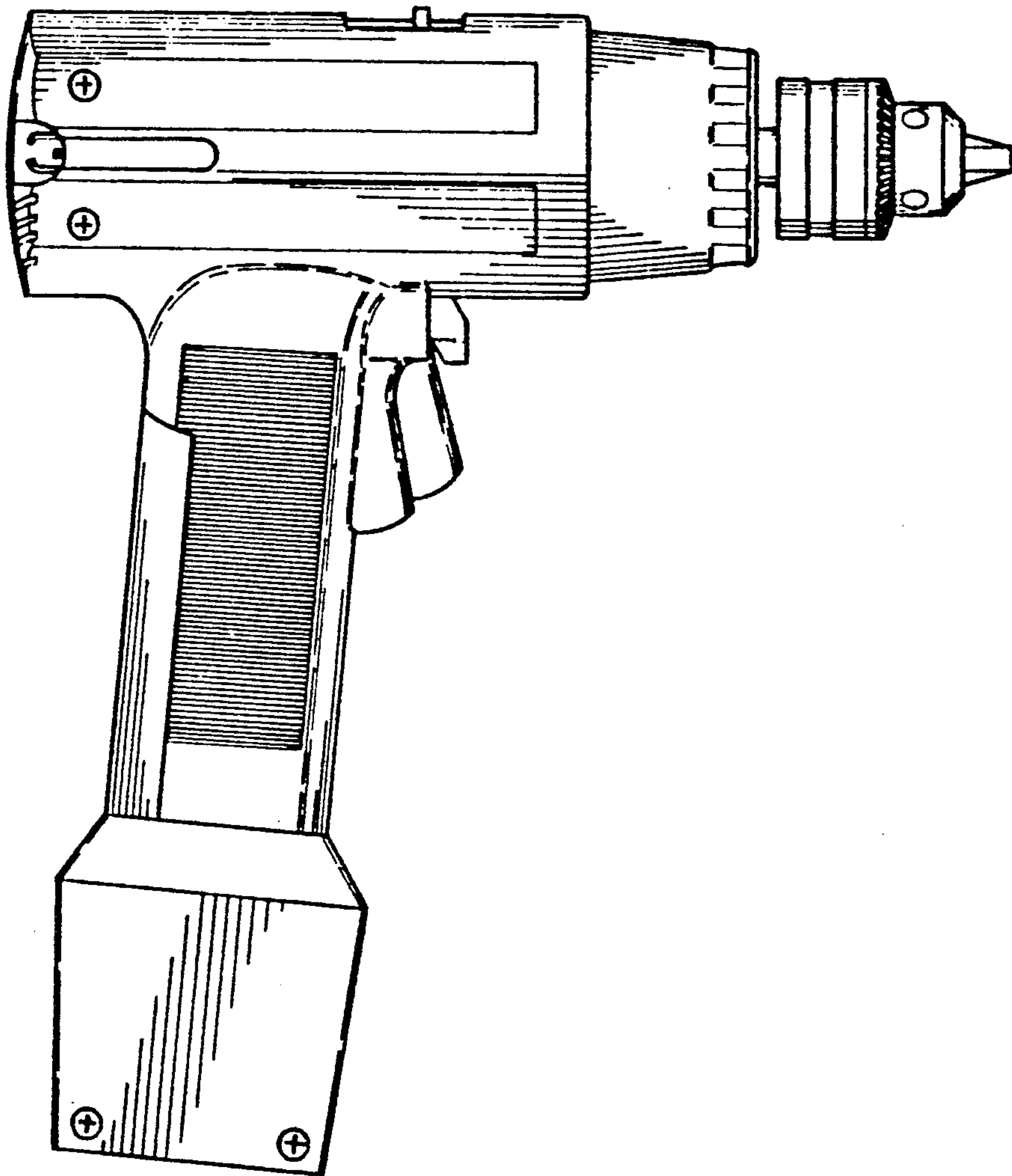


FIG . 2

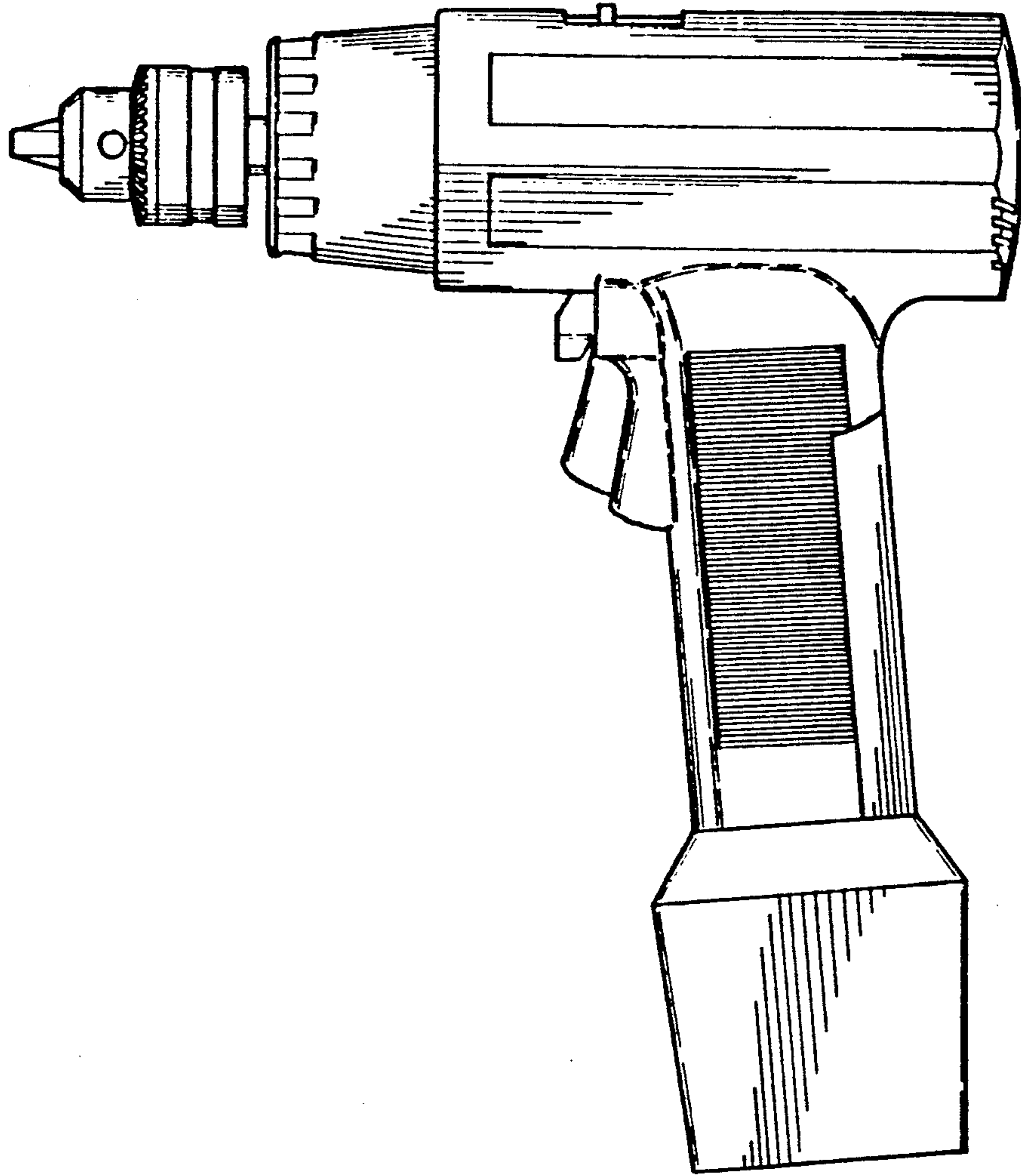


FIG. 3

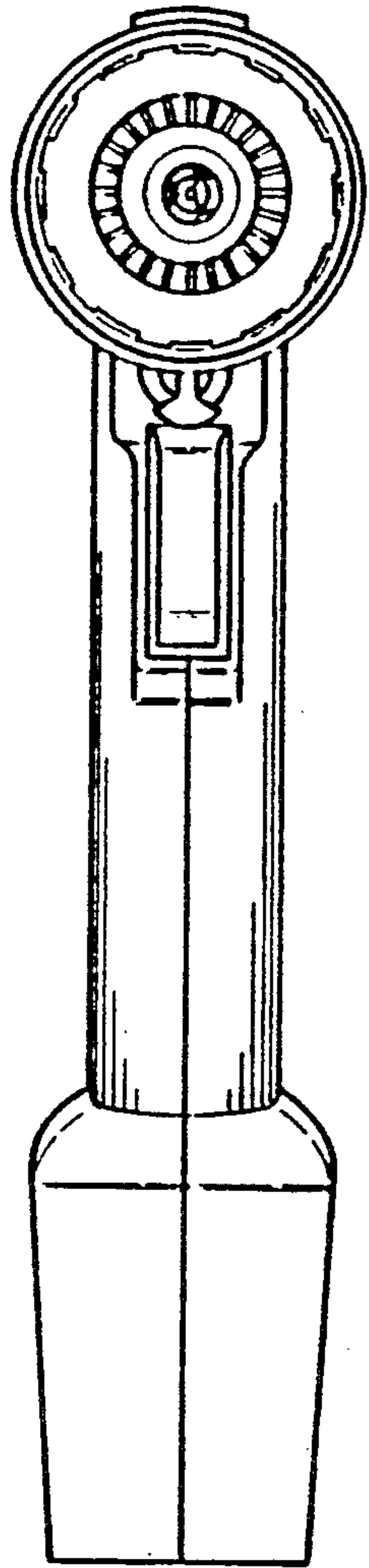


FIG. 4

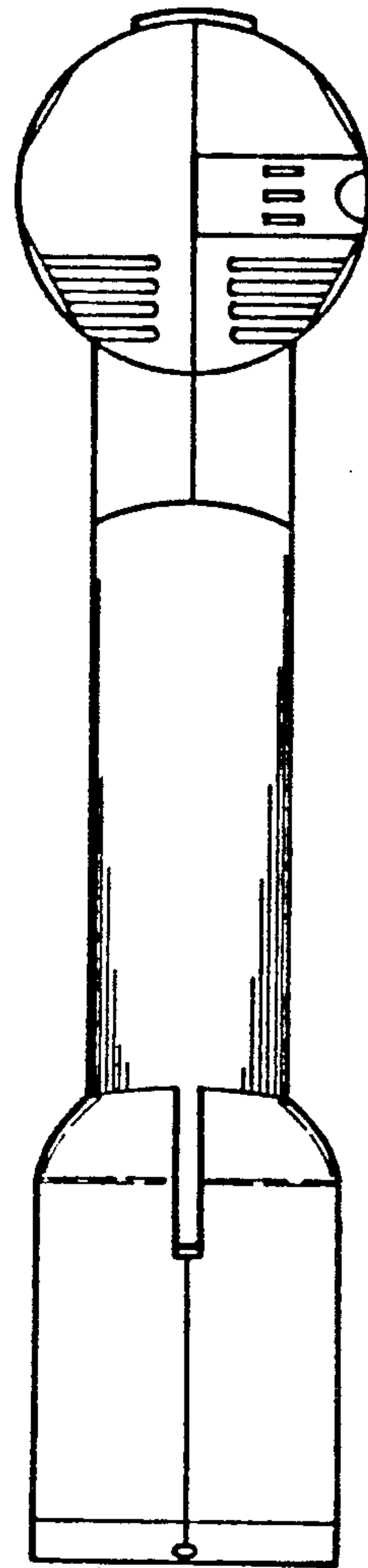


FIG. 5

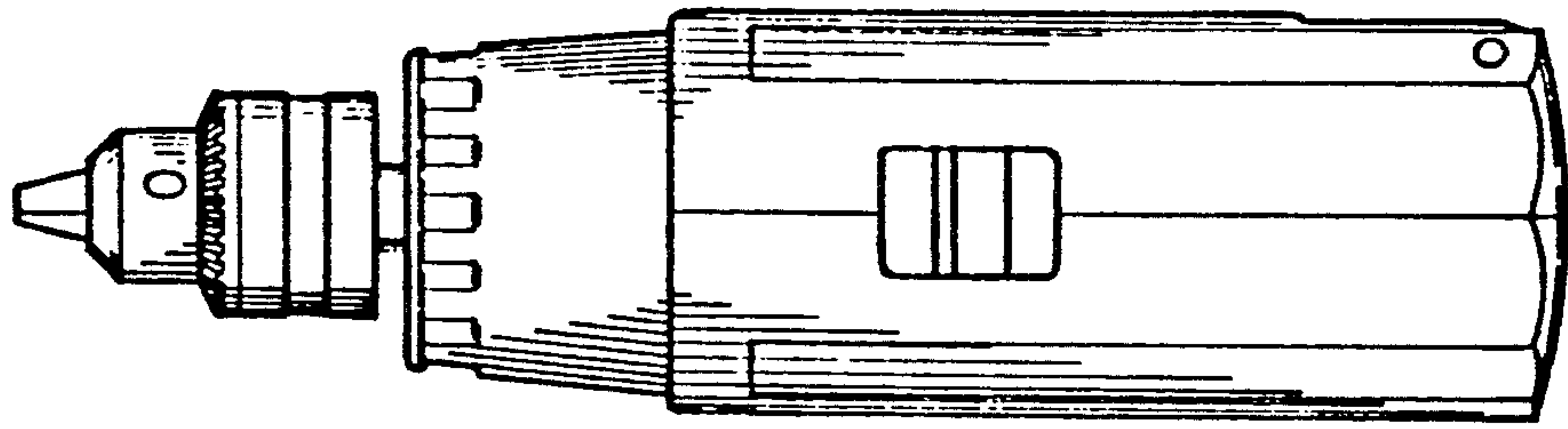


FIG . 6

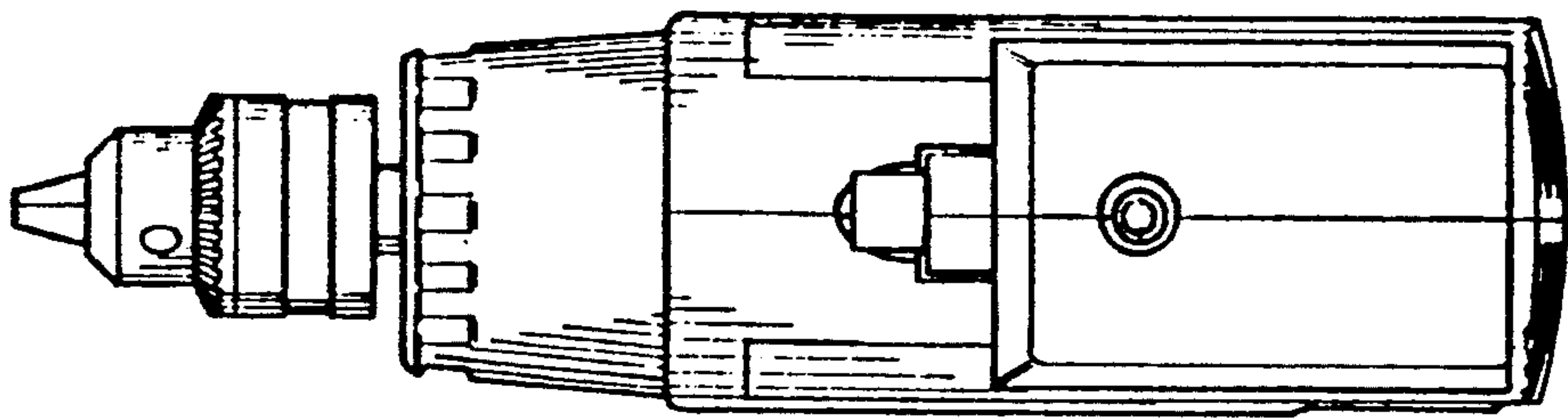


FIG . 7

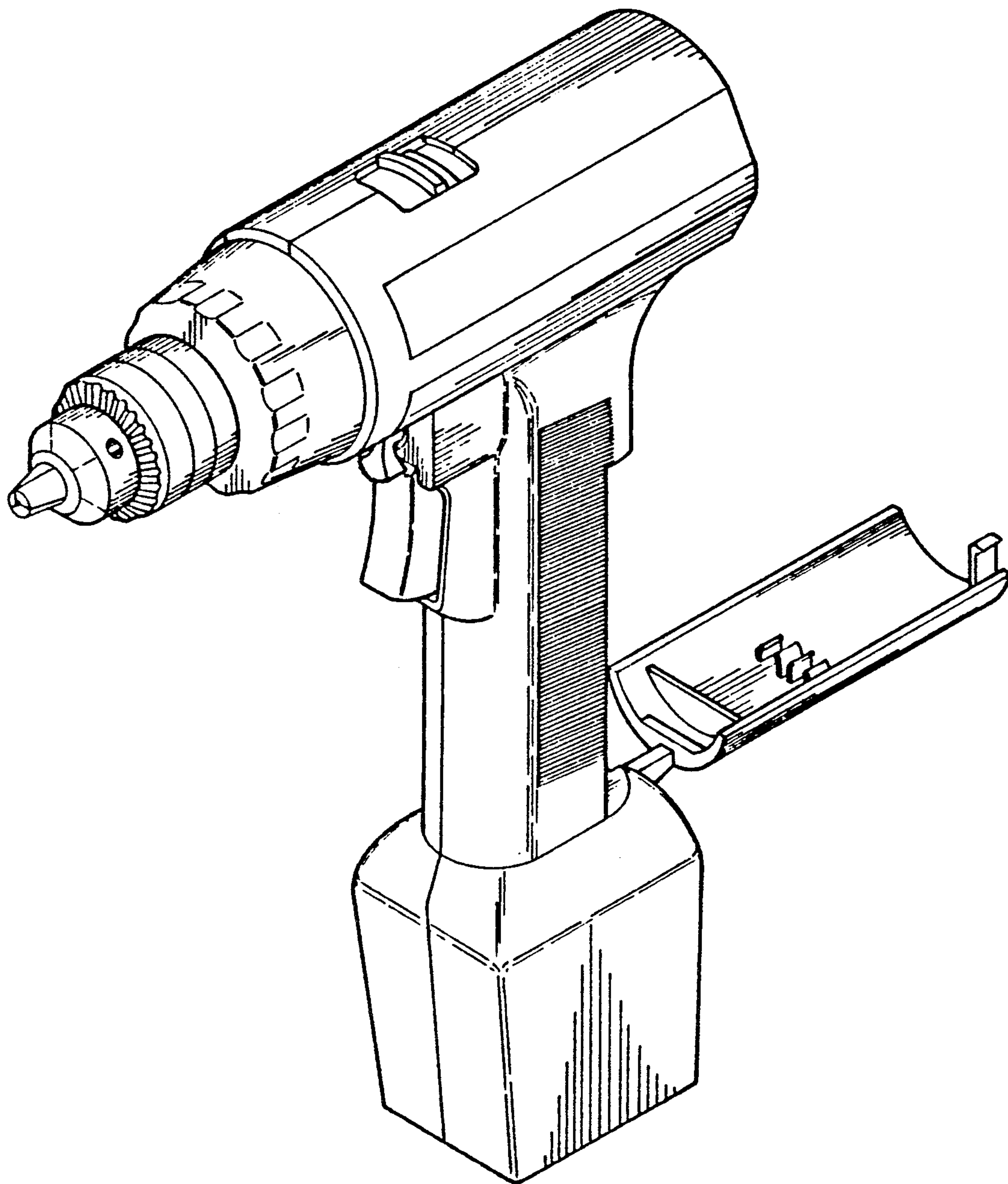


FIG . 8