



US00D327618S

# United States Patent [19]

Ogawa et al.

[11] Patent Number: **Des. 327,618**

[45] Date of Patent: **\*\* Jul. 7, 1992**

## [54] PORTABLE ELECTRIC DRILL

[75] Inventors: **Yasunori Ogawa, Mito; Yasuki Omori, Katsuta, both of Japan**

[73] Assignee: **Hitachi Koki Company, Limited, Tokyo, Japan**

[\*\*] Term: **14 Years**

[21] Appl. No.: **442,370**

[22] Filed: **Nov. 28, 1989**

### [30] Foreign Application Priority Data

Mar. 27, 1989 [JP] Japan ..... 1-10905

[52] U.S. Cl. .... **D8/68**

[58] Field of Search ..... **D8/61, 68; 81/54, 57, 81/57.11, 57.14; 408/14, 17, 113, 138, 241 S; 173/17, 21, 31, 37, 163**

## [56] References Cited

### U.S. PATENT DOCUMENTS

- D. 287,814 1/1987 Hiraishi et al. .... D8/68
- D. 316,508 4/1991 Stewart et al. .... D8/68
- 4,250,971 2/1981 Reibetanz et al. .... 173/21
- 4,256,422 3/1981 Theissig et al. .... 173/21 X

*Primary Examiner*—Donald P. Walsh  
*Assistant Examiner*—J. H. Musgrove  
*Attorney, Agent, or Firm*—Lowe, Price, LeBlanc & Becker

## [57] CLAIM

The ornamental design for a portable electric drill, as shown.

## DESCRIPTION

FIG. 1 is a top, right-side perspective view of a portable electric drill showing our new design;  
FIG. 2 is a right side elevational view thereof;  
FIG. 3 is a rear elevational view thereof;  
FIG. 4 is a front elevational view thereof;  
FIG. 5 is a top plan view thereof;  
FIG. 6 is a left side elevational view thereof; and,  
FIG. 7 is a bottom plan view thereof.

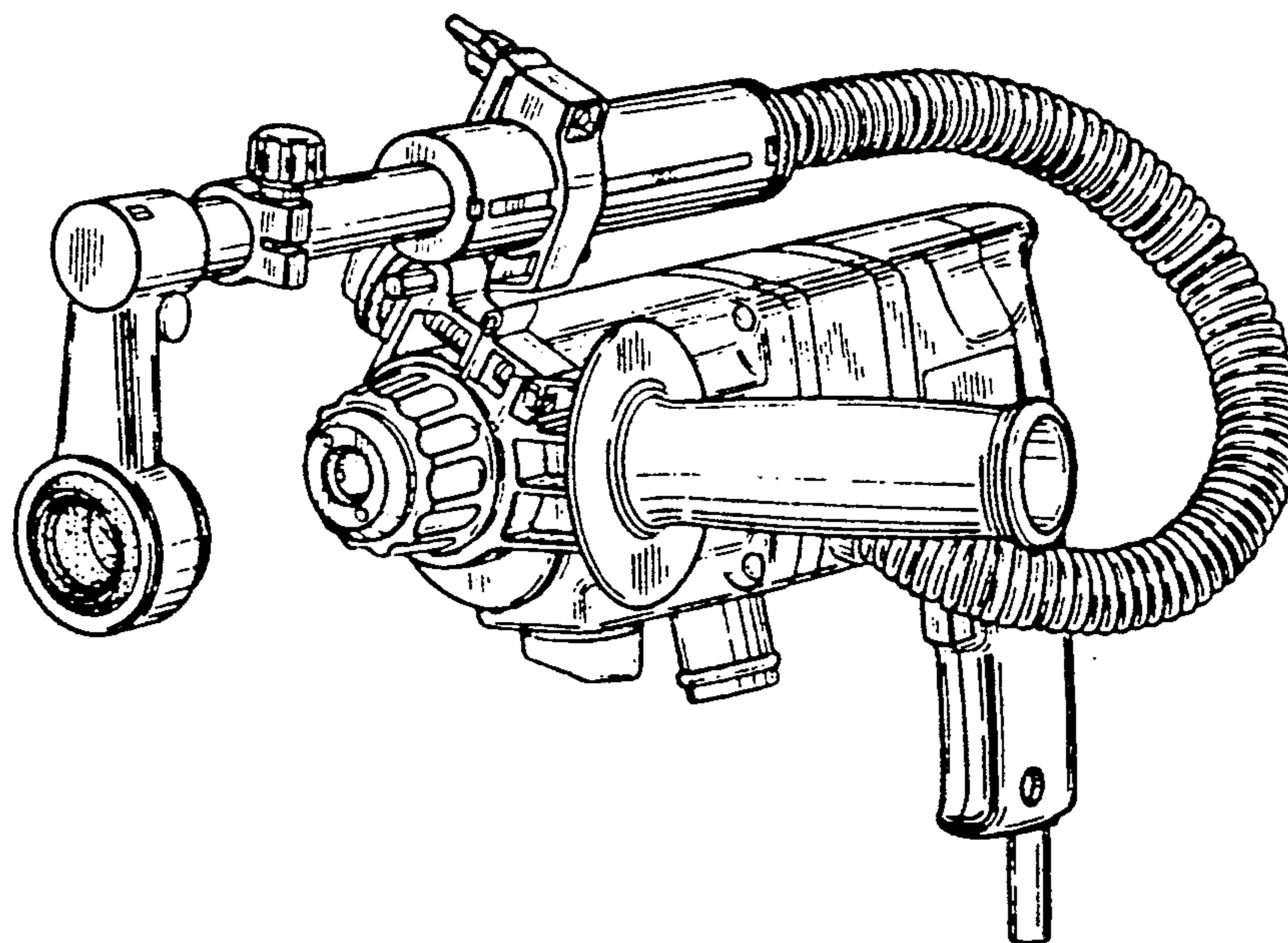


FIG. 1

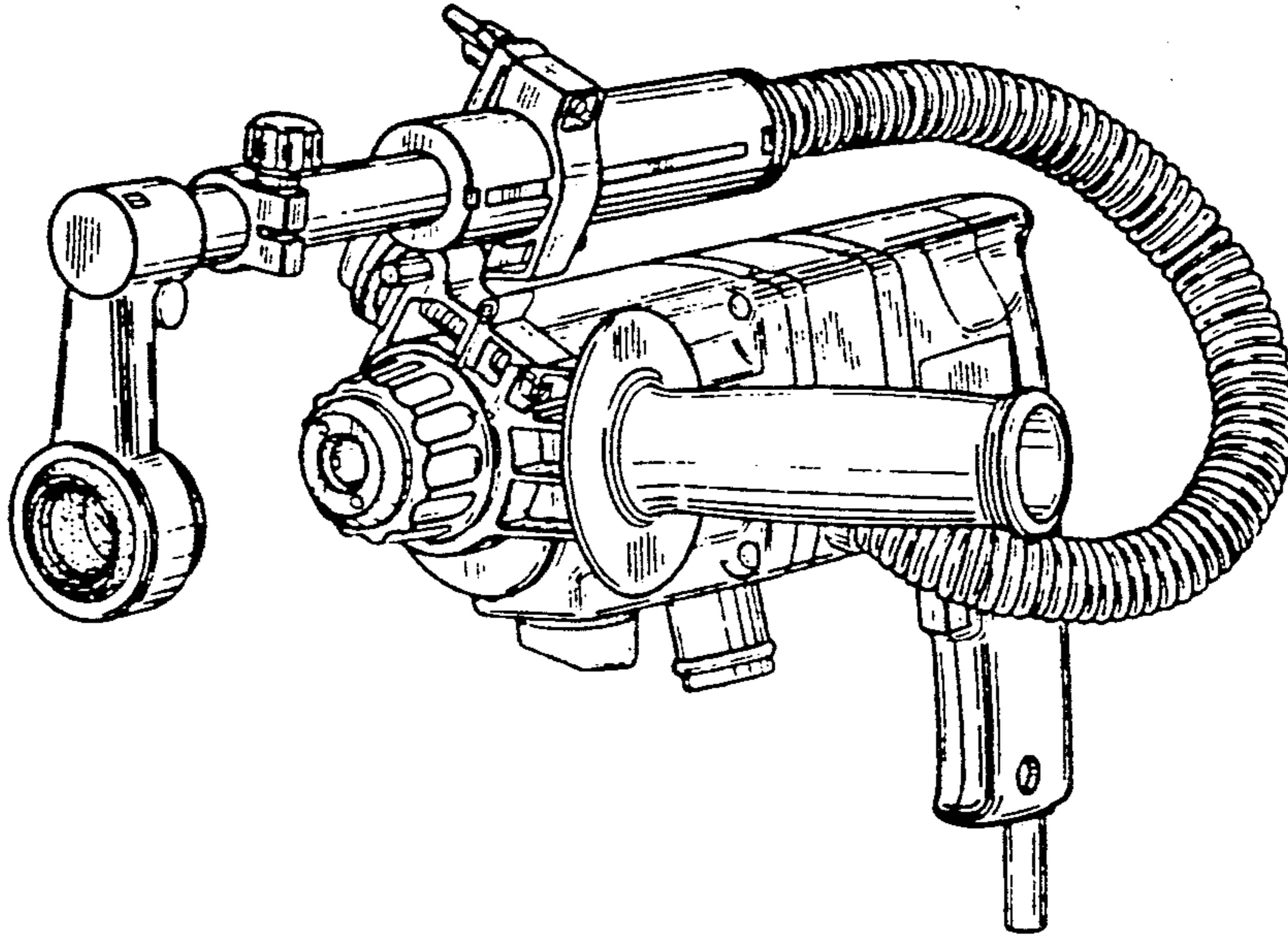


FIG. 2

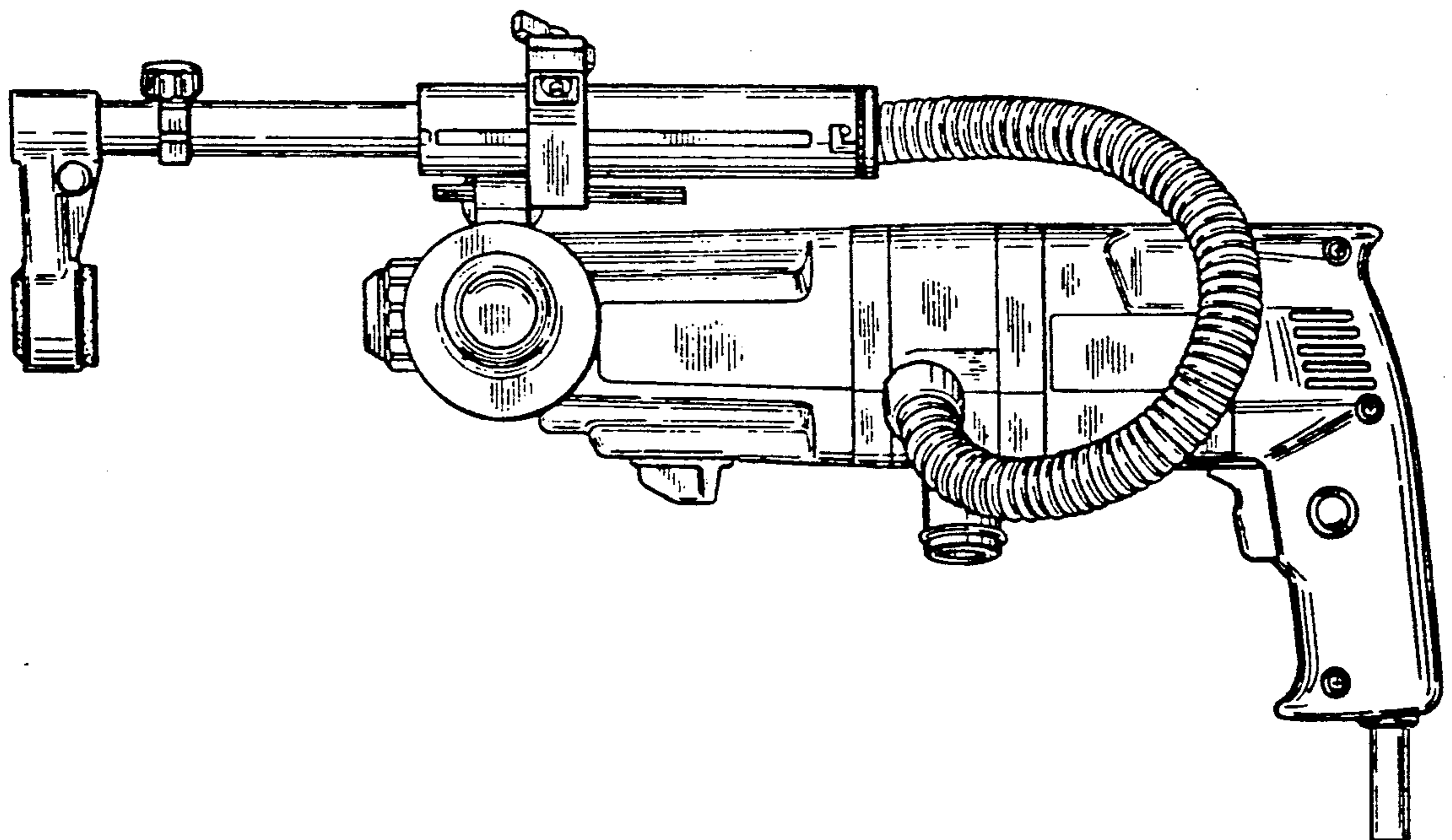


FIG. 3

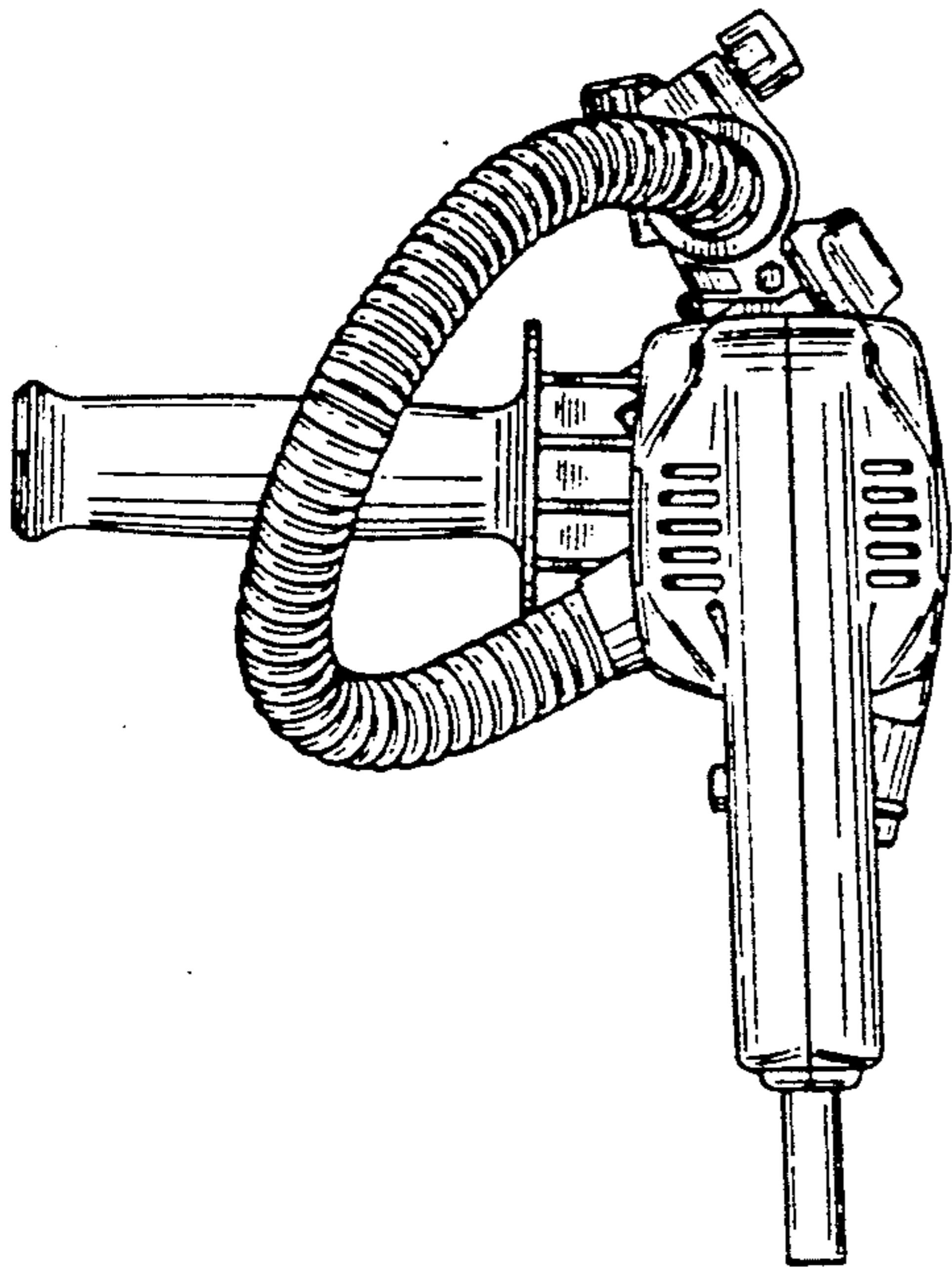


FIG. 4

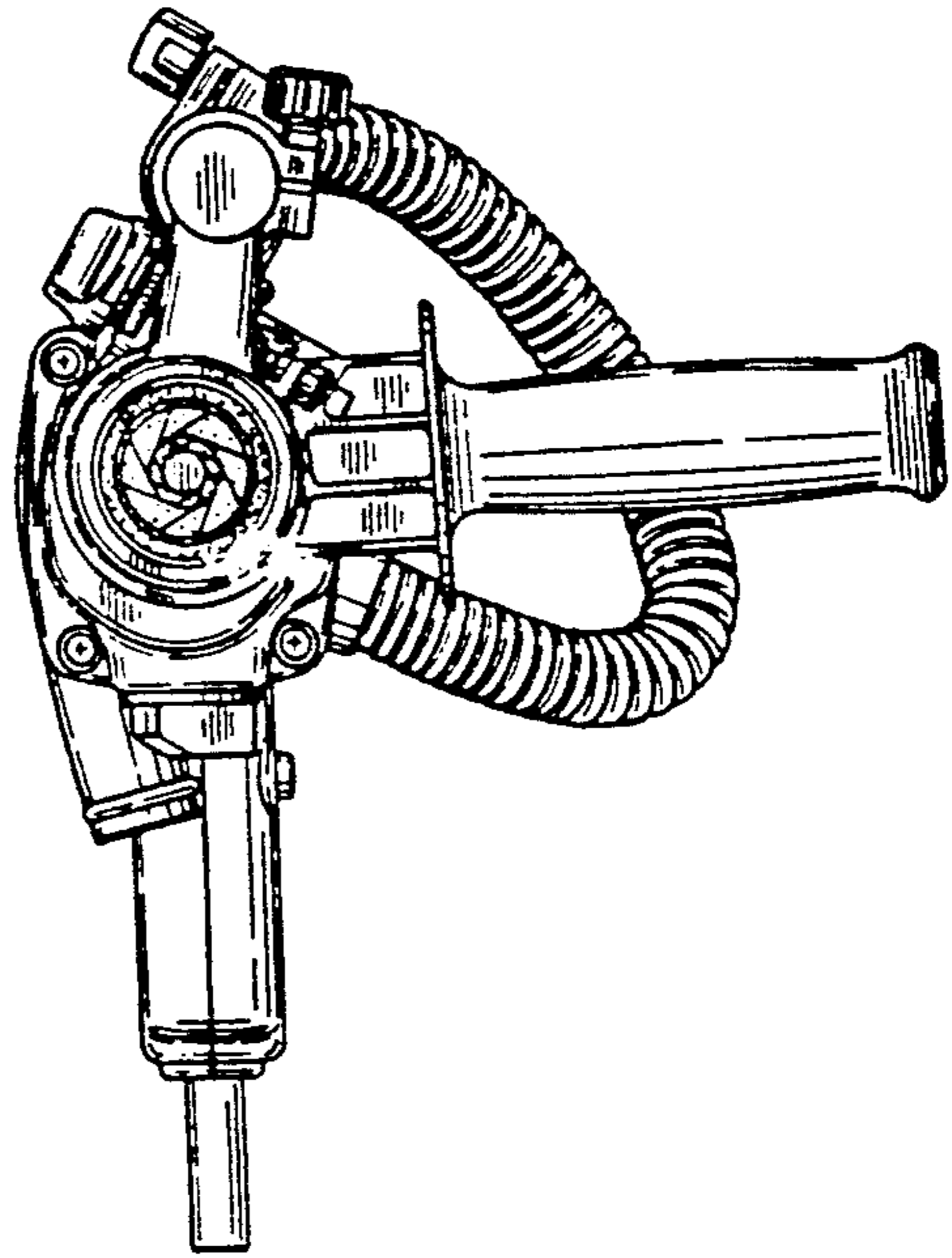


FIG. 5

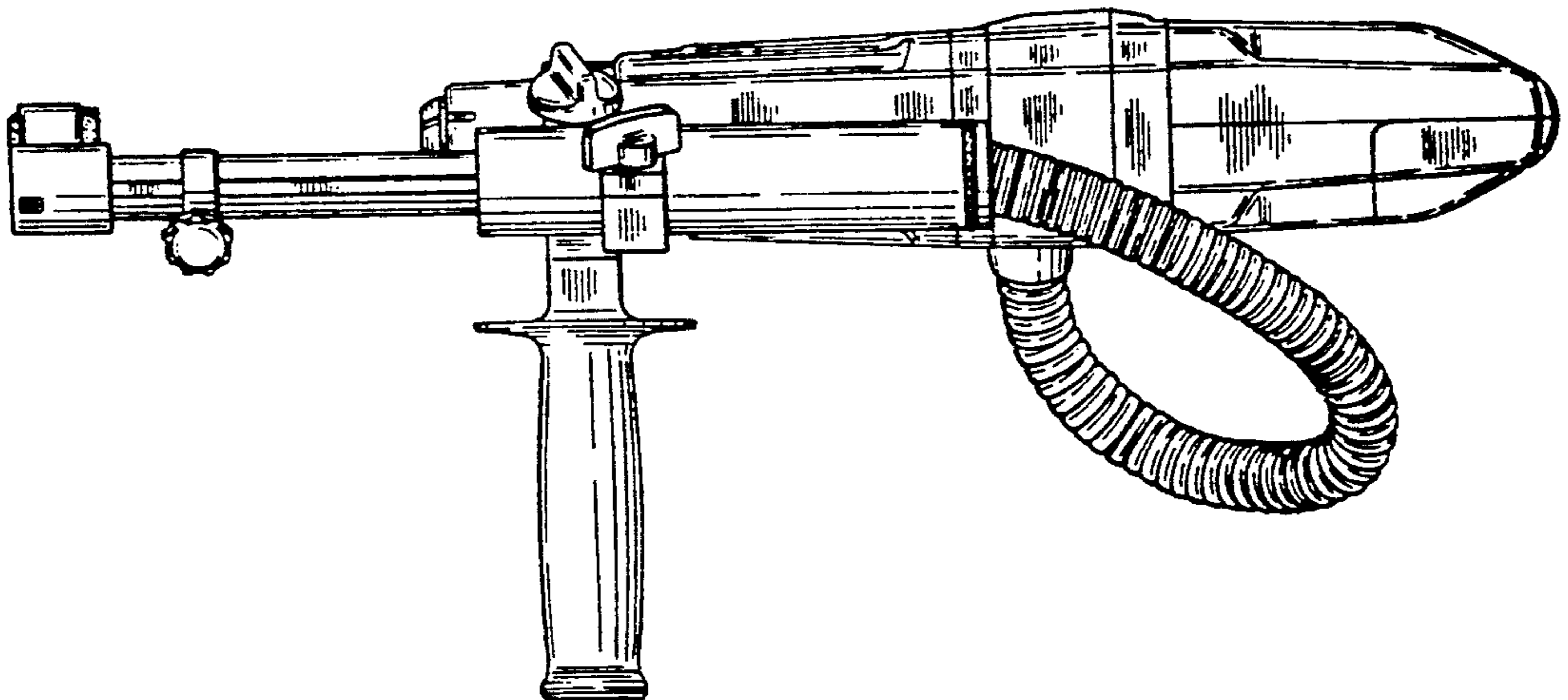


FIG. 6

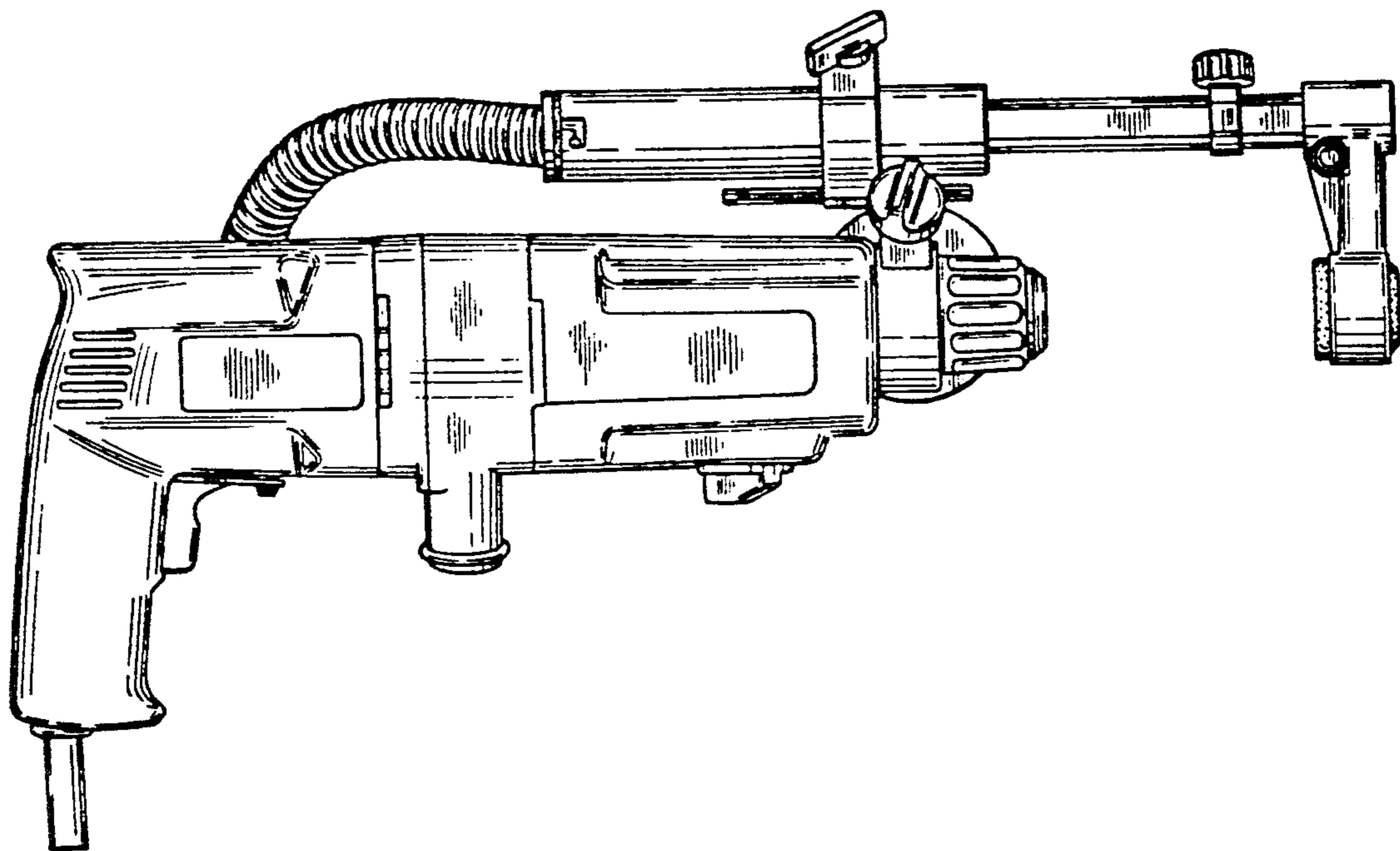


FIG. 7

