



US00D327609S

United States Patent [19]

[11] Patent Number: **Des. 327,609**

Carlson

[45] Date of Patent: **** Jul. 7, 1992**

[54] **COMBINED BOWL AND STRAINER THEREFOR**

[75] Inventor: **Arthur R. Carlson, East Malvern, Australia**

[73] Assignee: **The Decor Corporation Pty Ltd., Australia**

[**] Term: **14 Years**

[21] Appl. No.: **614,641**

[22] Filed: **Nov. 16, 1990**

[52] U.S. Cl. **D7/667; D7/543**

[58] Field of Search **D7/400, 667, 668, 543, D7/361; 210/464, 465, 470, 471, 473; 220/574; 99/403**

[56] **References Cited**

U.S. PATENT DOCUMENTS

| | | | |
|------------|---------|--------------------|-----------|
| D. 251,050 | 2/1979 | Wallstén | D7/667 |
| D. 266,977 | 11/1982 | Jensen et al. | D7/543 |
| D. 296,969 | 8/1988 | Carlson | D7/667 |
| D. 314,315 | 2/1991 | Darnell | D7/667 |
| 4,938,375 | 7/1990 | Fantacone | 210/464 X |

Primary Examiner—Terry A. Pfeffer
Attorney, Agent, or Firm—Thompson, Hine and Flory

[57] **CLAIM**

The ornamental design for a combined bowl and strainer therefor, as shown and described.

DESCRIPTION

FIG. 1 is a top, rear, right side perspective view of a combined bowl and strainer therefor showing my new design;

FIG. 2 is a bottom, front, right side perspective view thereof;

FIG. 3 is a right side elevational view thereof the opposite side being identical;

FIG. 4 is a top plan view thereof;

FIG. 5 is a bottom plan view thereof;

FIG. 6 is a front elevational view thereof;

FIG. 7 is a rear elevational view thereof;

FIG. 8 is a cross-sectional view thereof taken along line 8—8 of FIG. 4;

FIG. 9 is an enlarged fragmentary cross-section of FIG. 8;

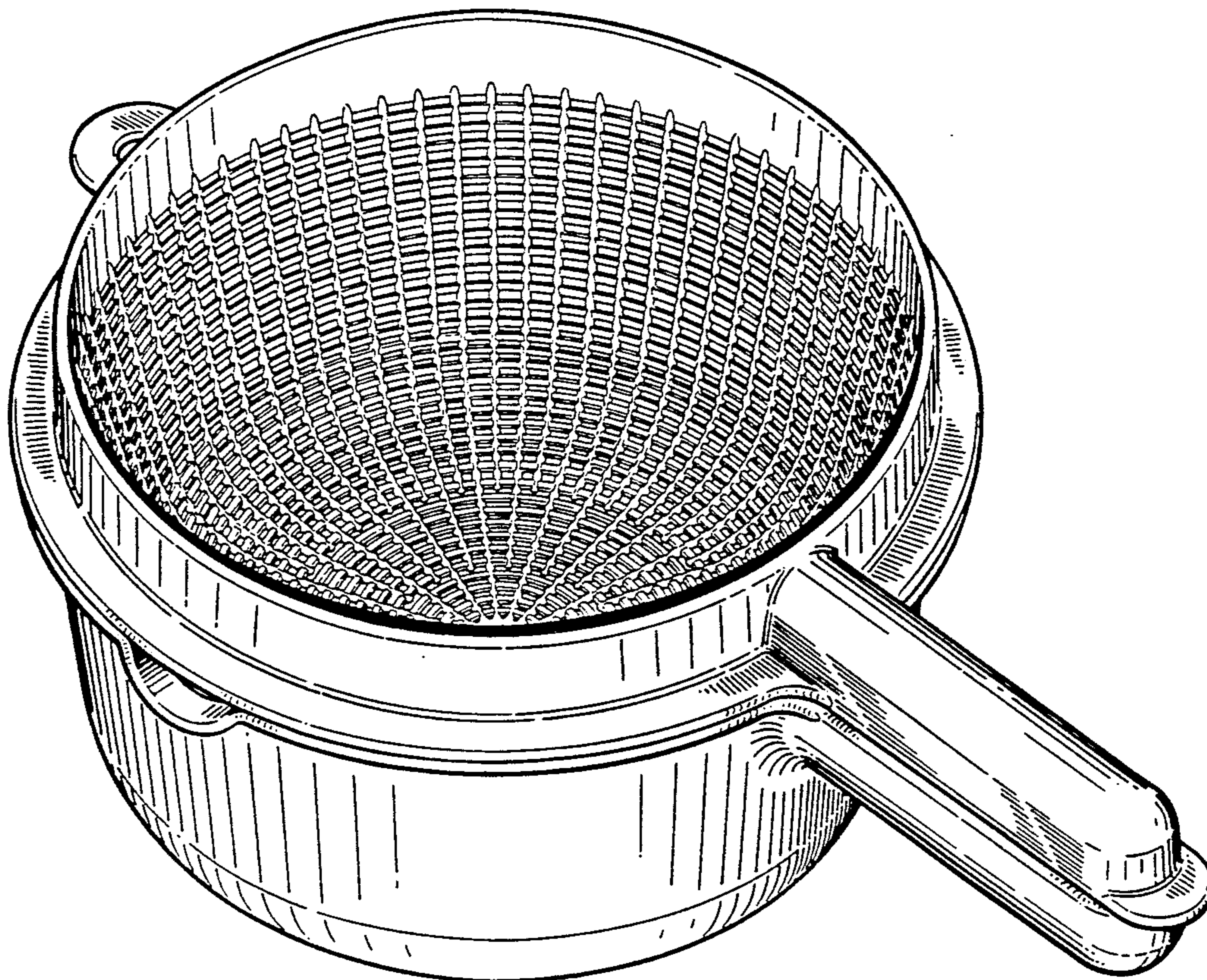
FIG. 10 is a top, rear perspective view of the bowl portion shown separately for clarity of illustration;

FIG. 11 is a right side elevational view of the strainer portion shown separately for clarity of illustration;

FIG. 12 is a fragmentary top plan view of the strainer portion;

FIG. 13 is a fragmentary top perspective view of the strainer portion; and,

FIG. 14 is a fragmentary bottom view of the strainer portion.



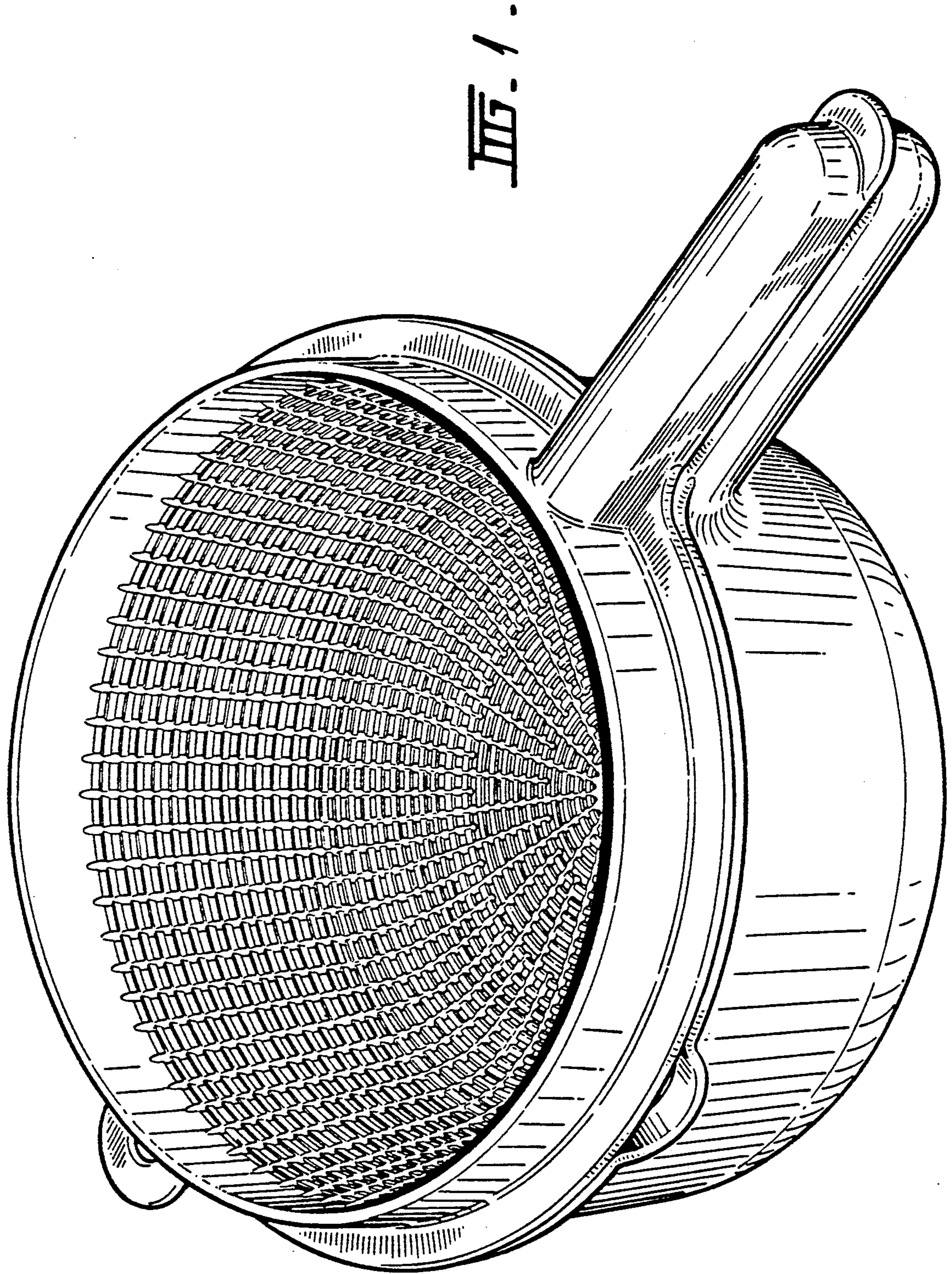
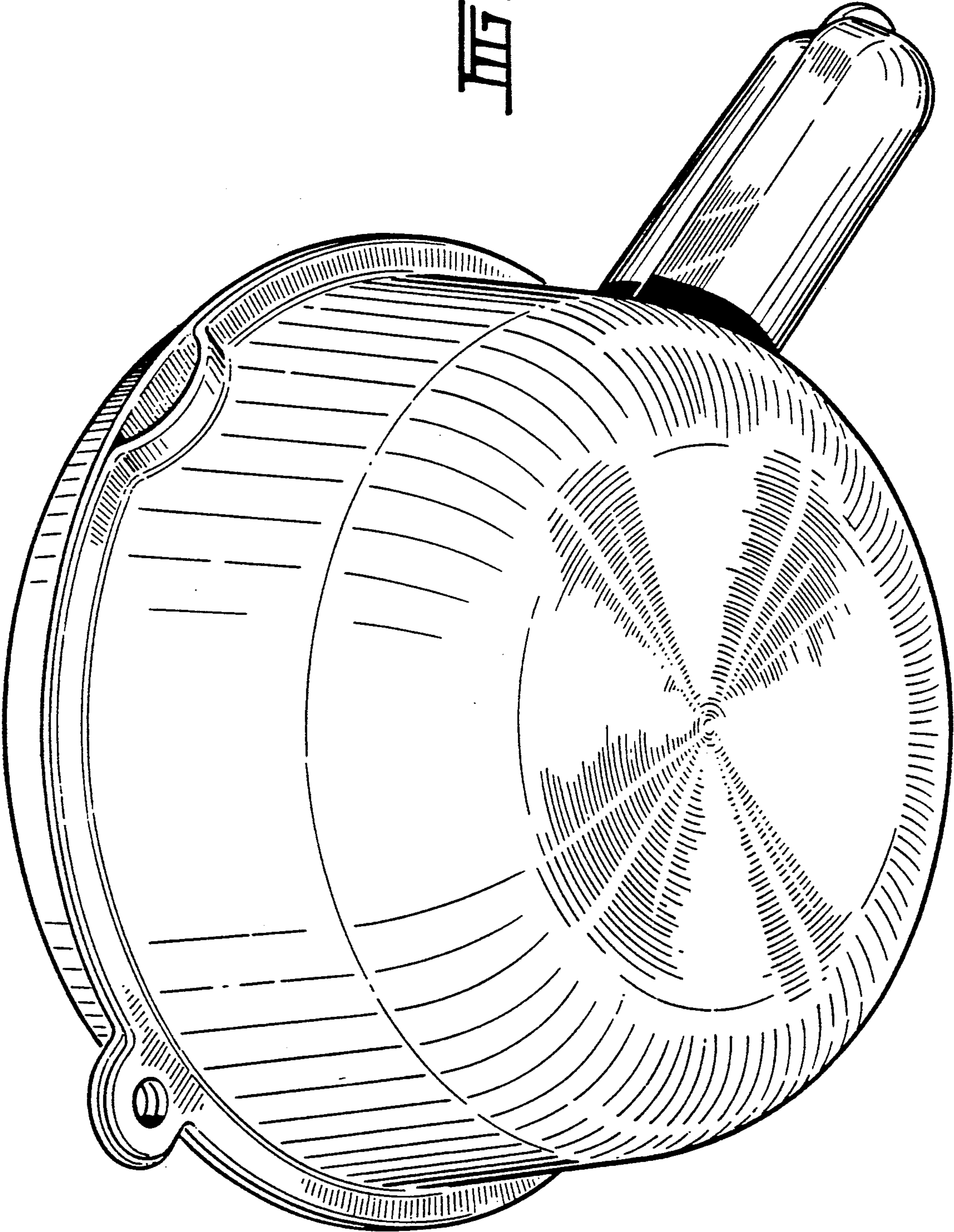
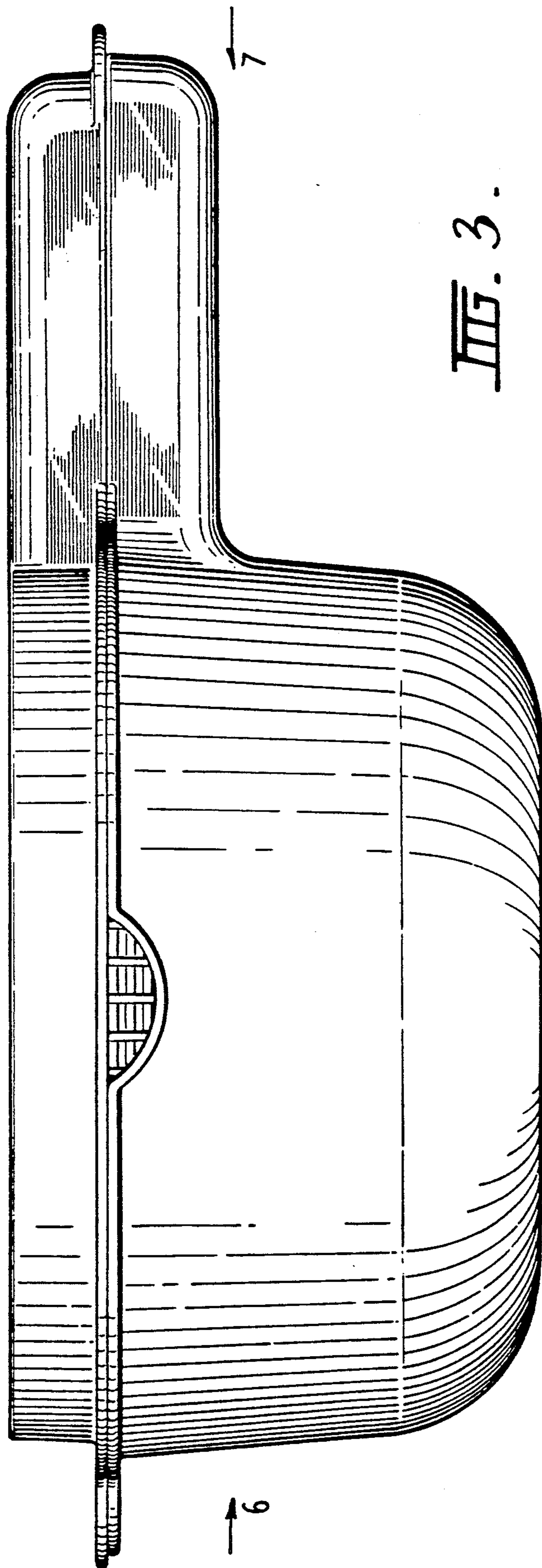
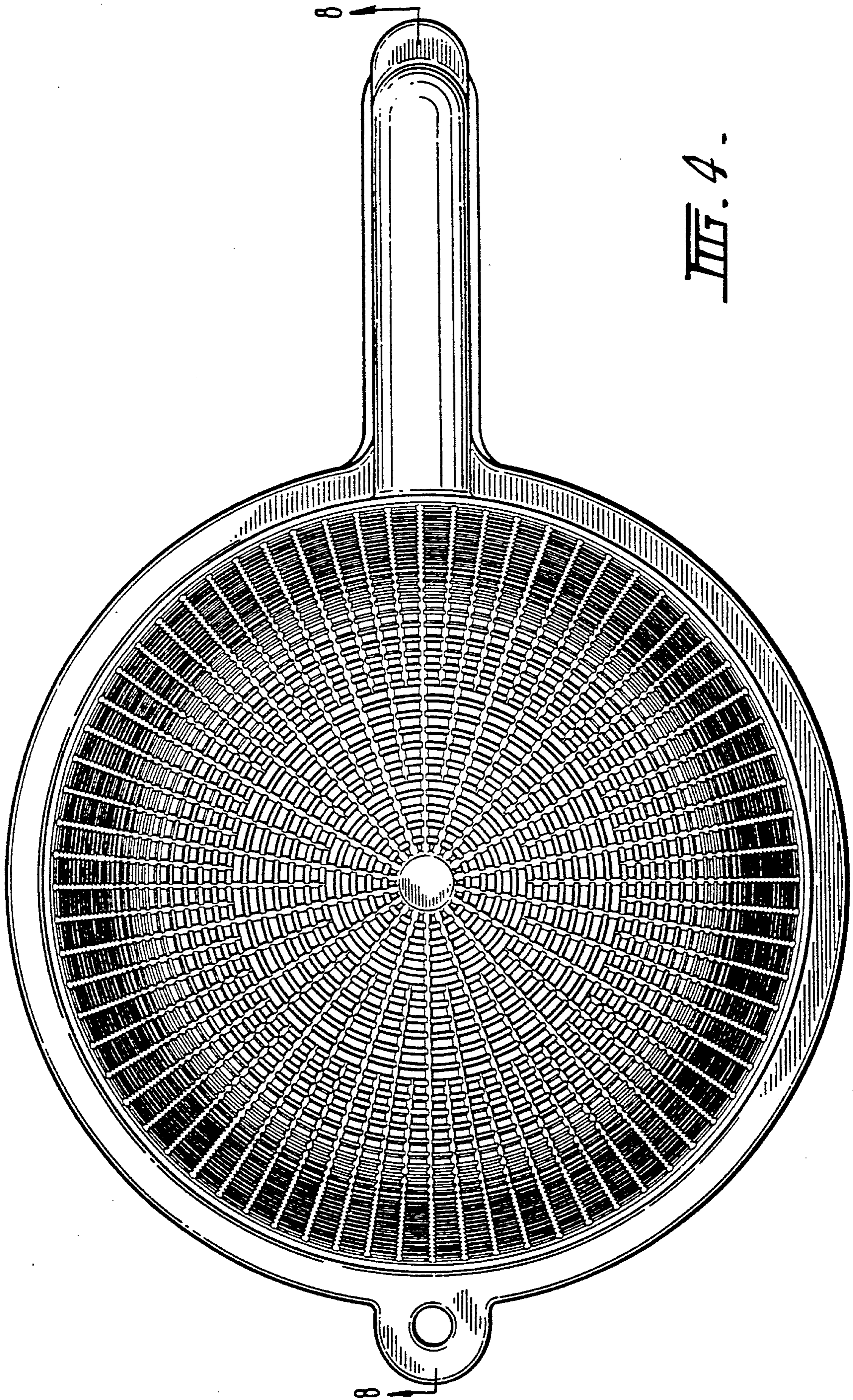


FIG. 2.







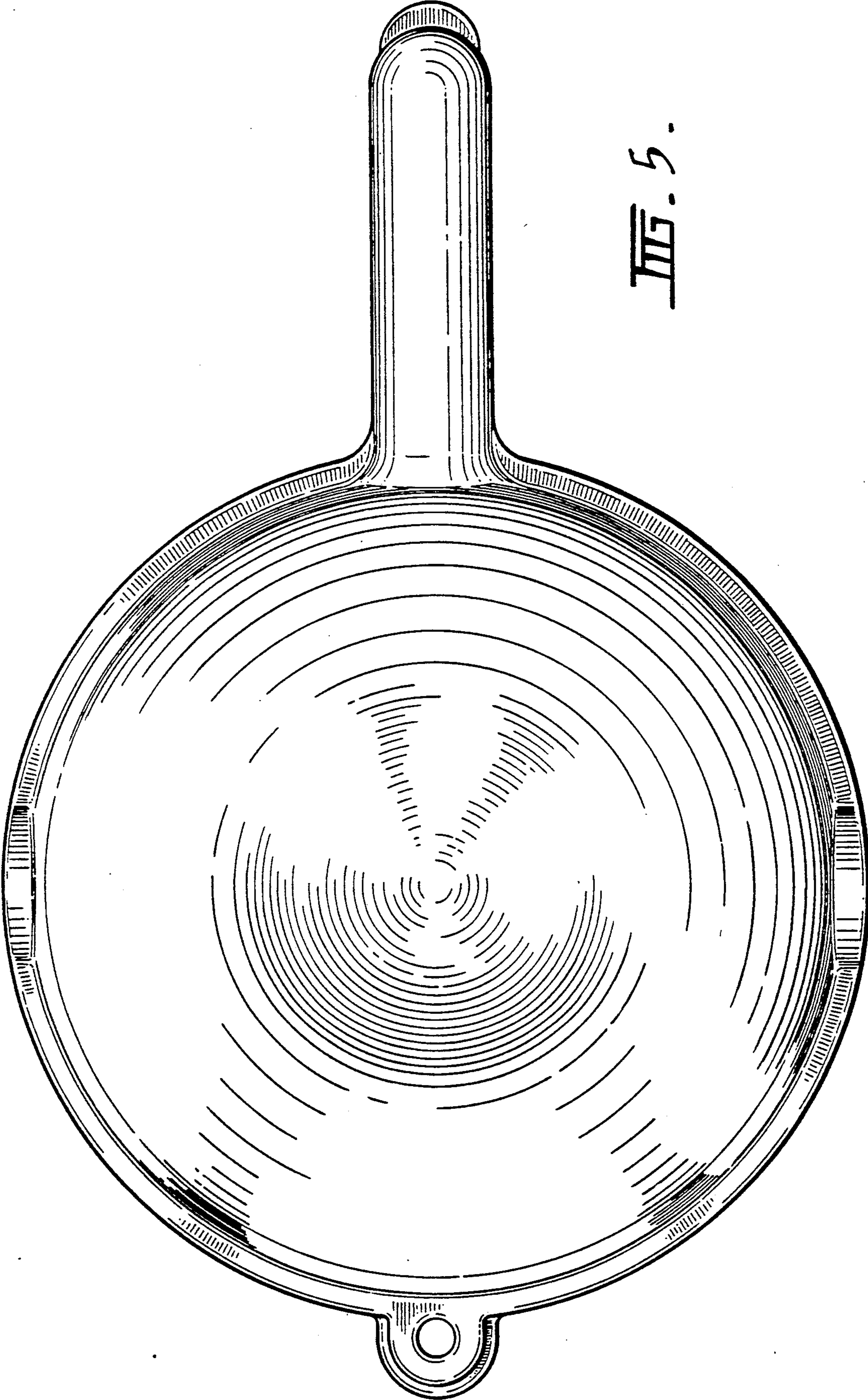


FIG. 5.

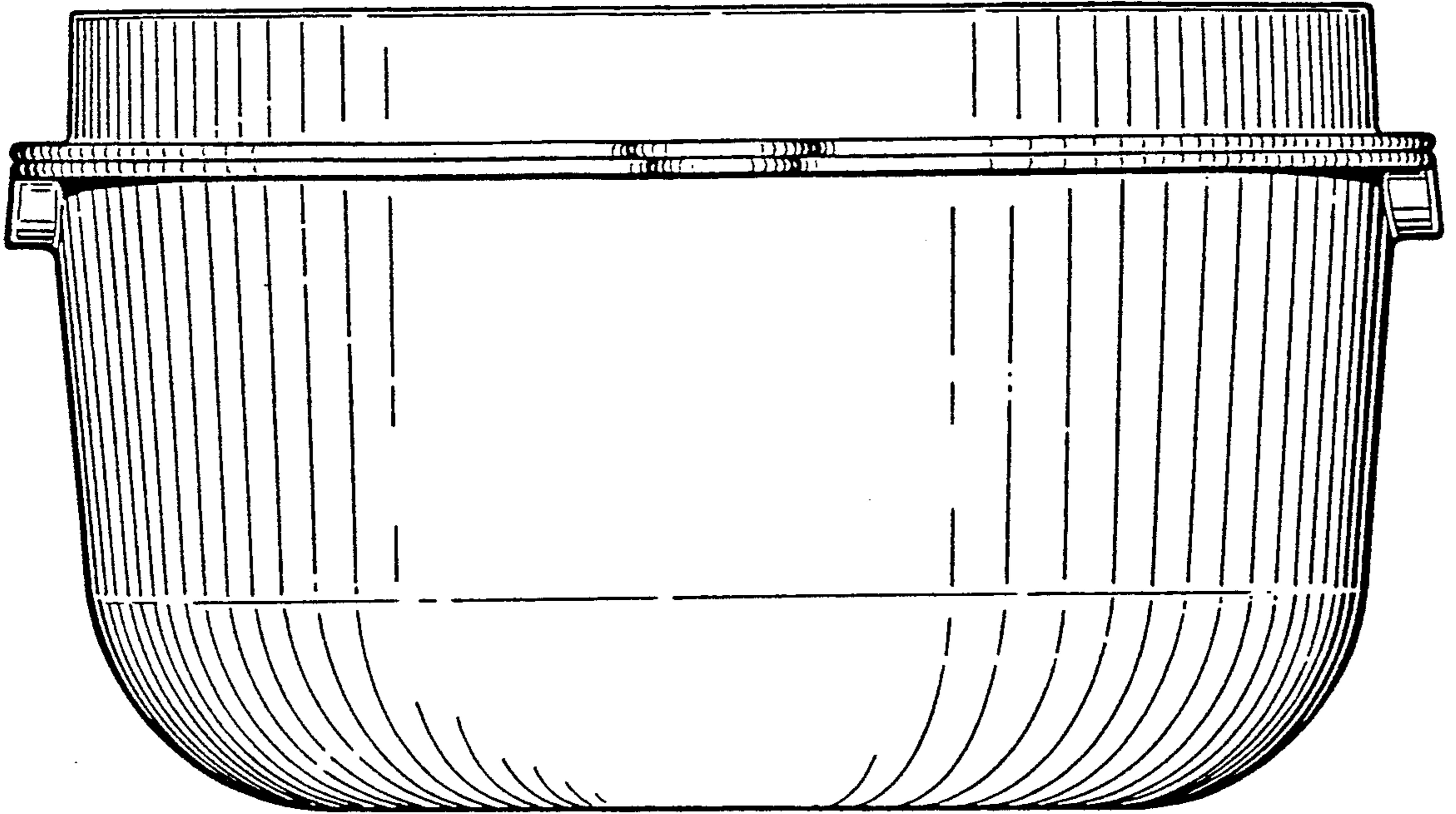


FIG. 6.

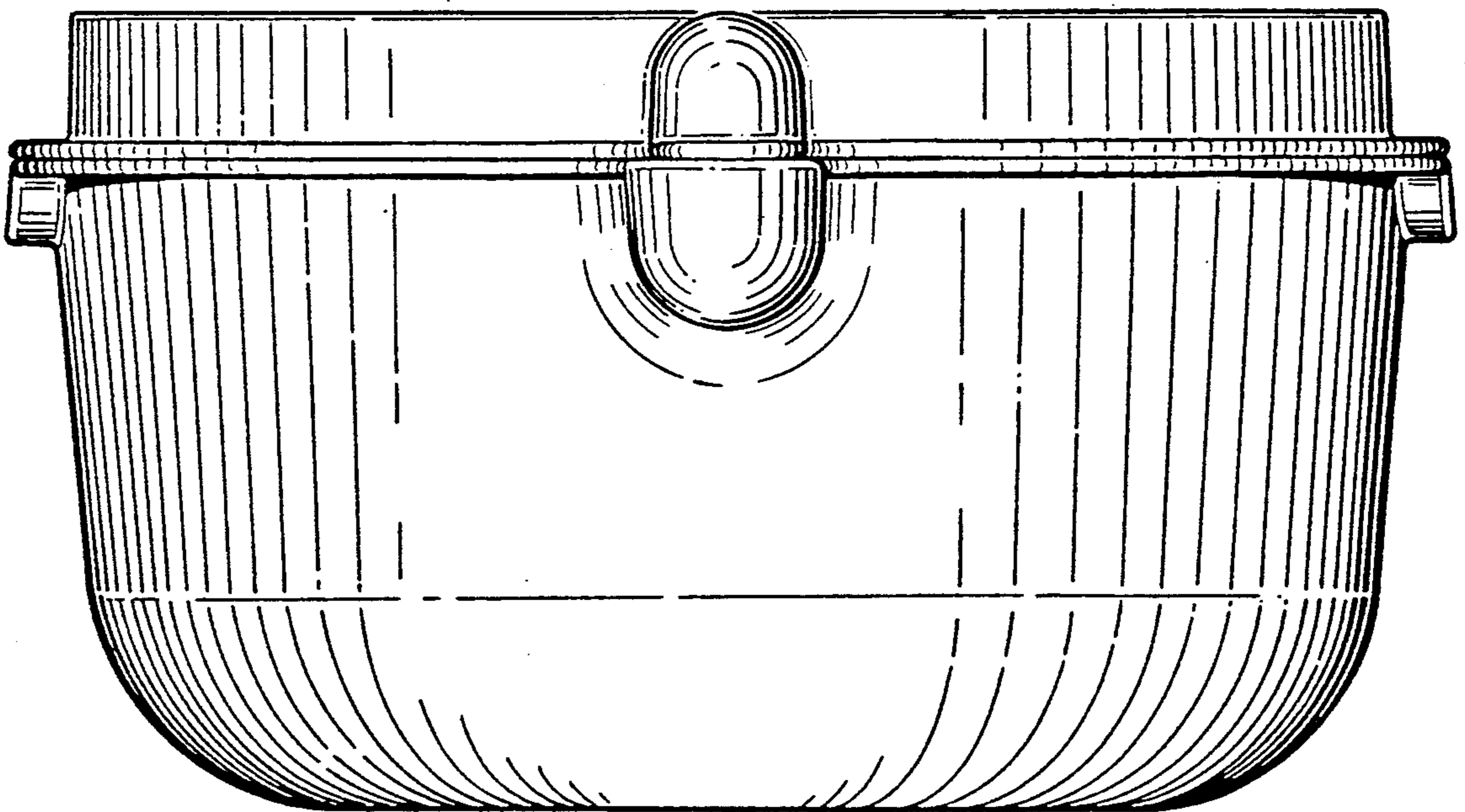
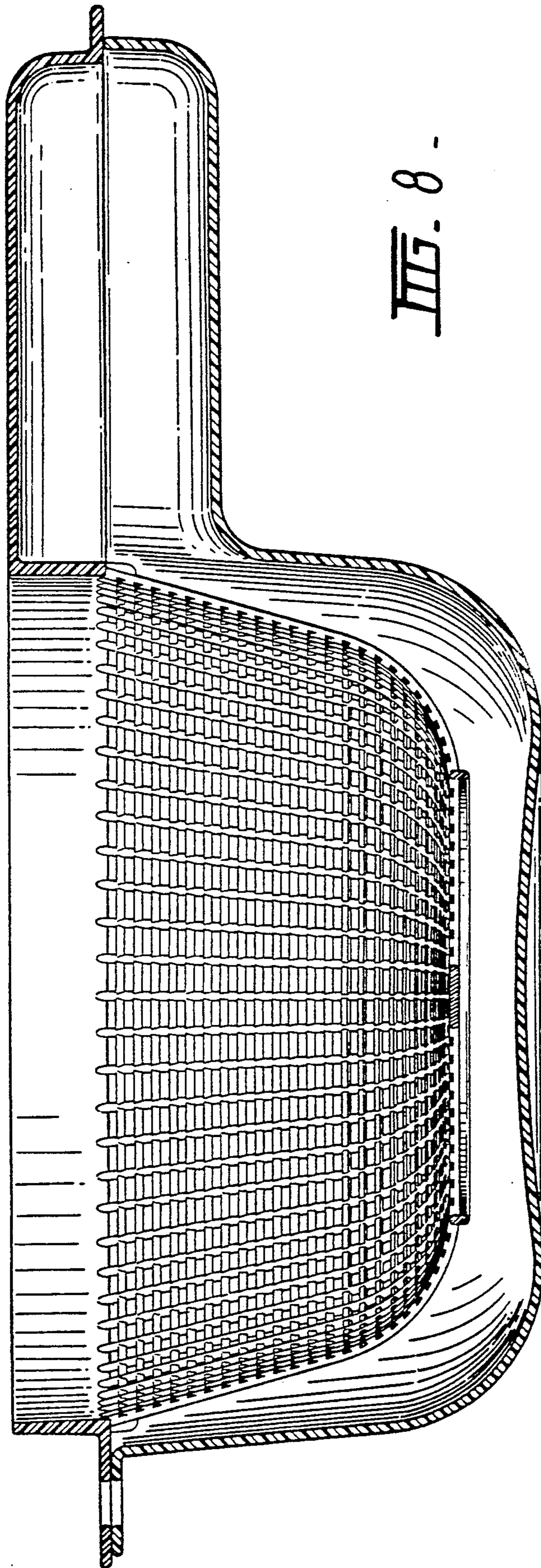


FIG. 7.



III-8

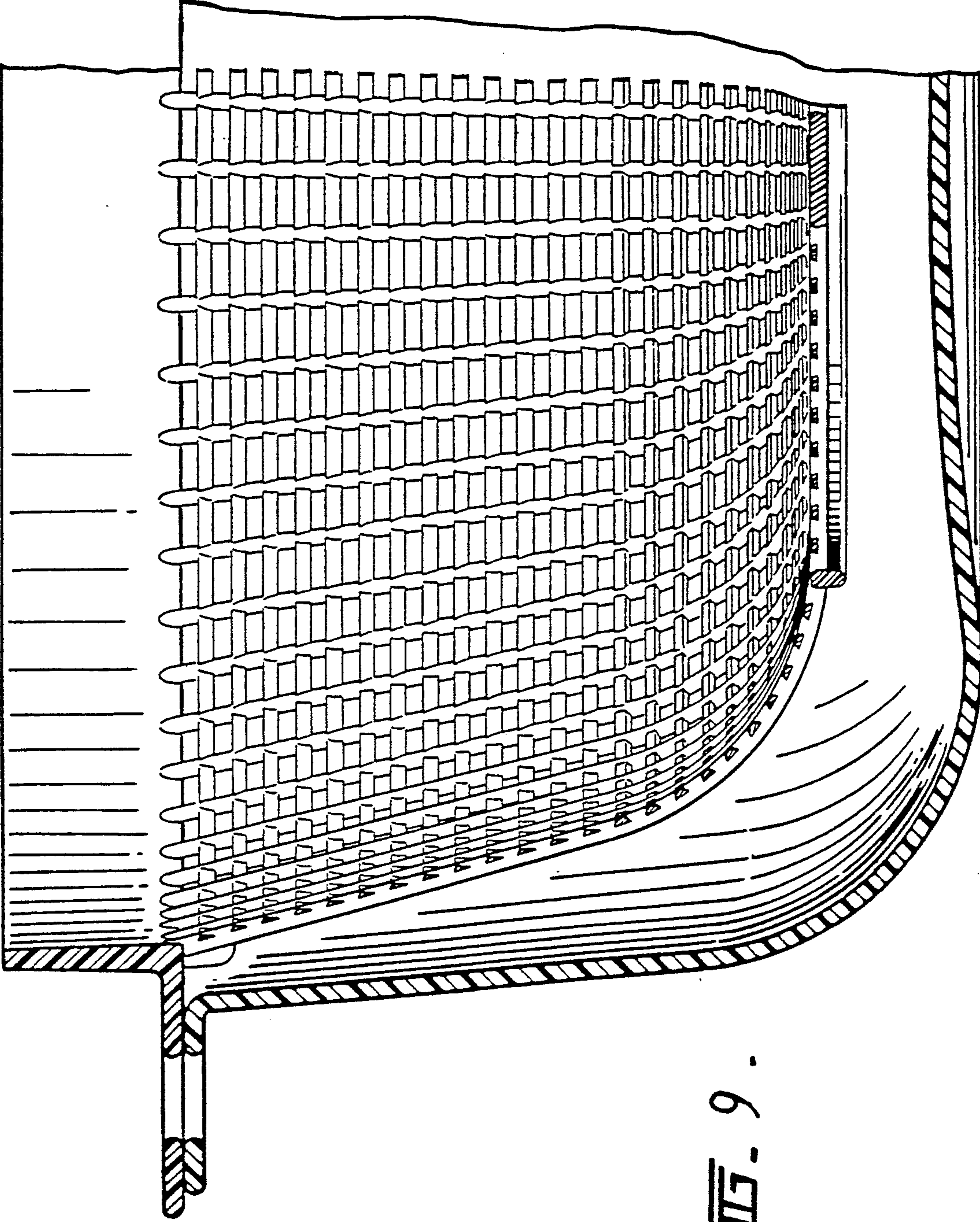


FIG. 9.

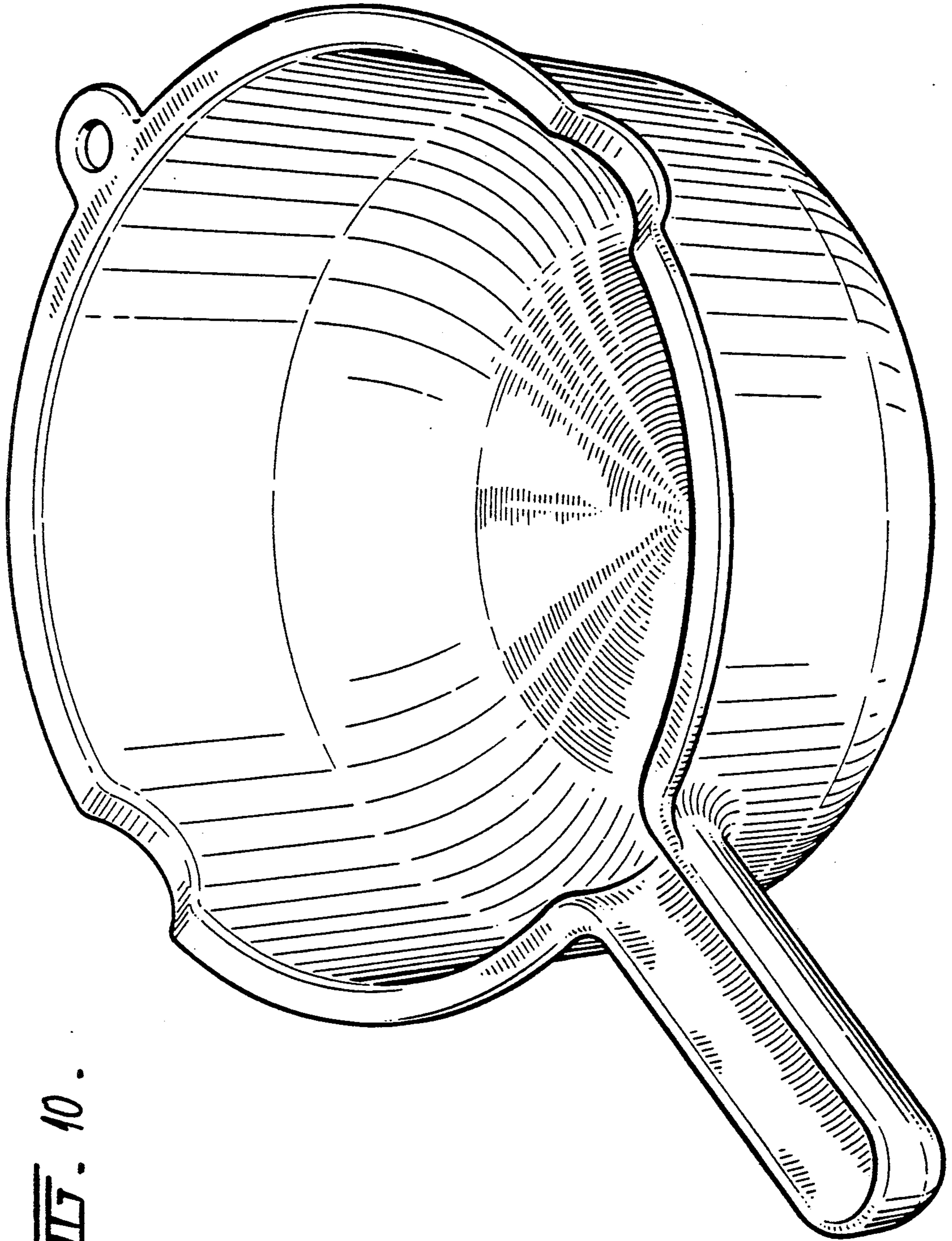


FIG. 10.

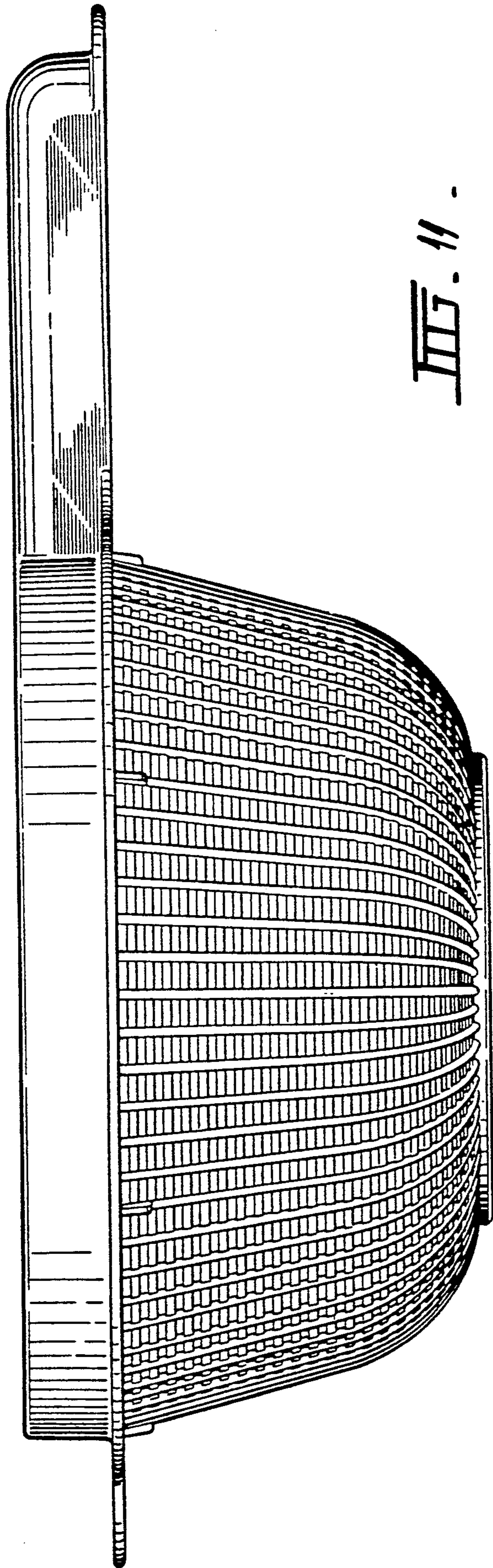


FIG. 11.

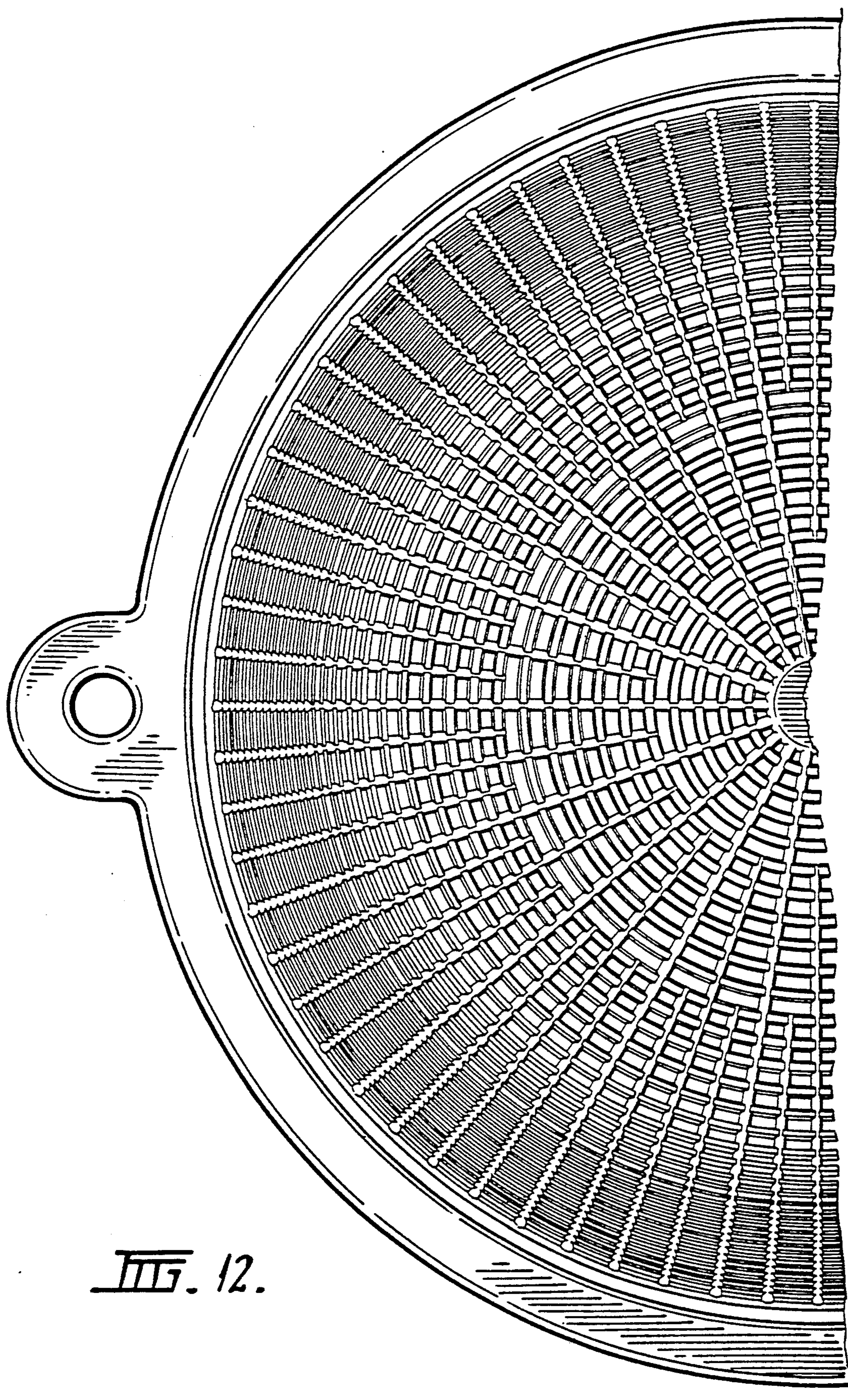


FIG. 12.

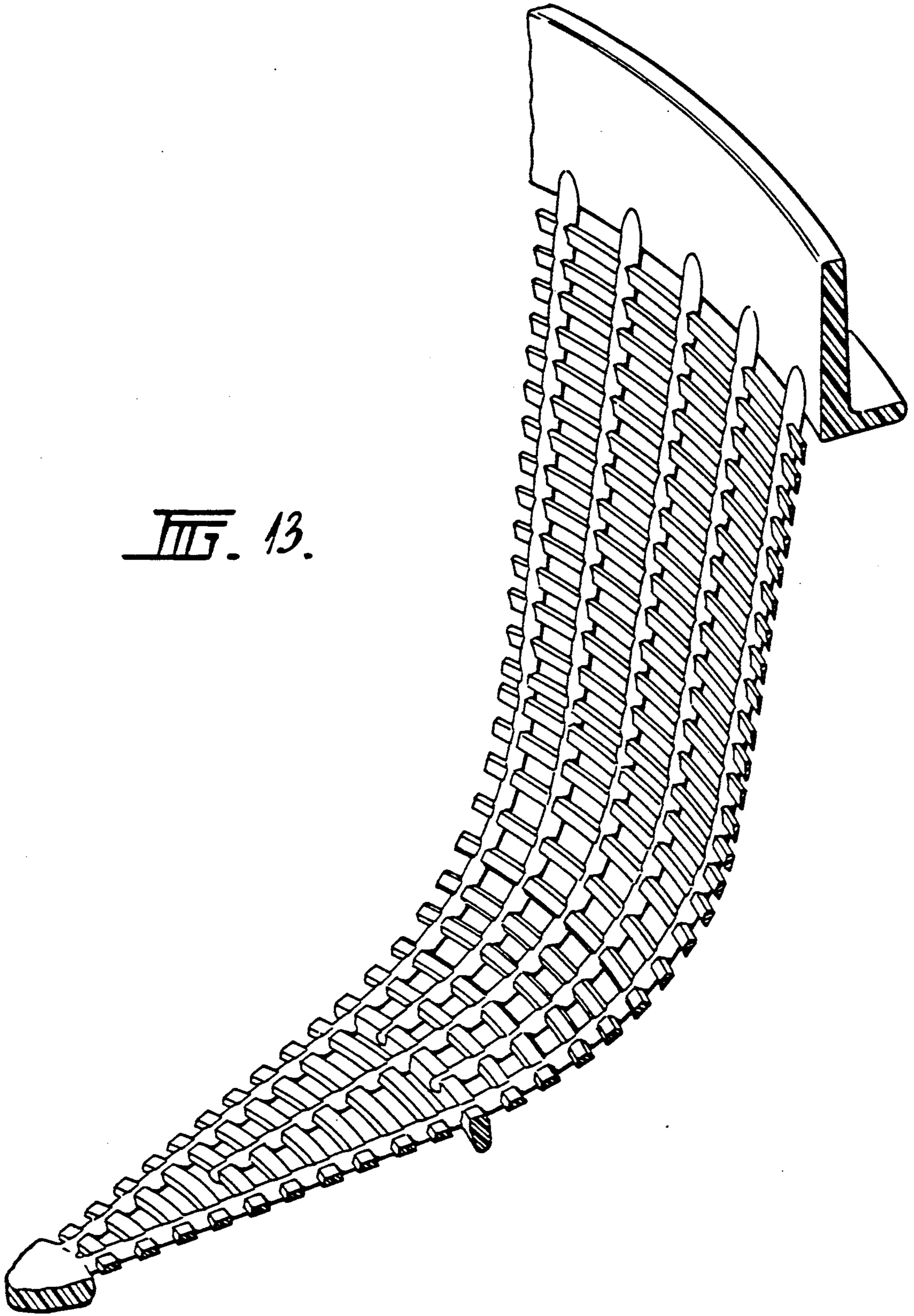


FIG. 13.

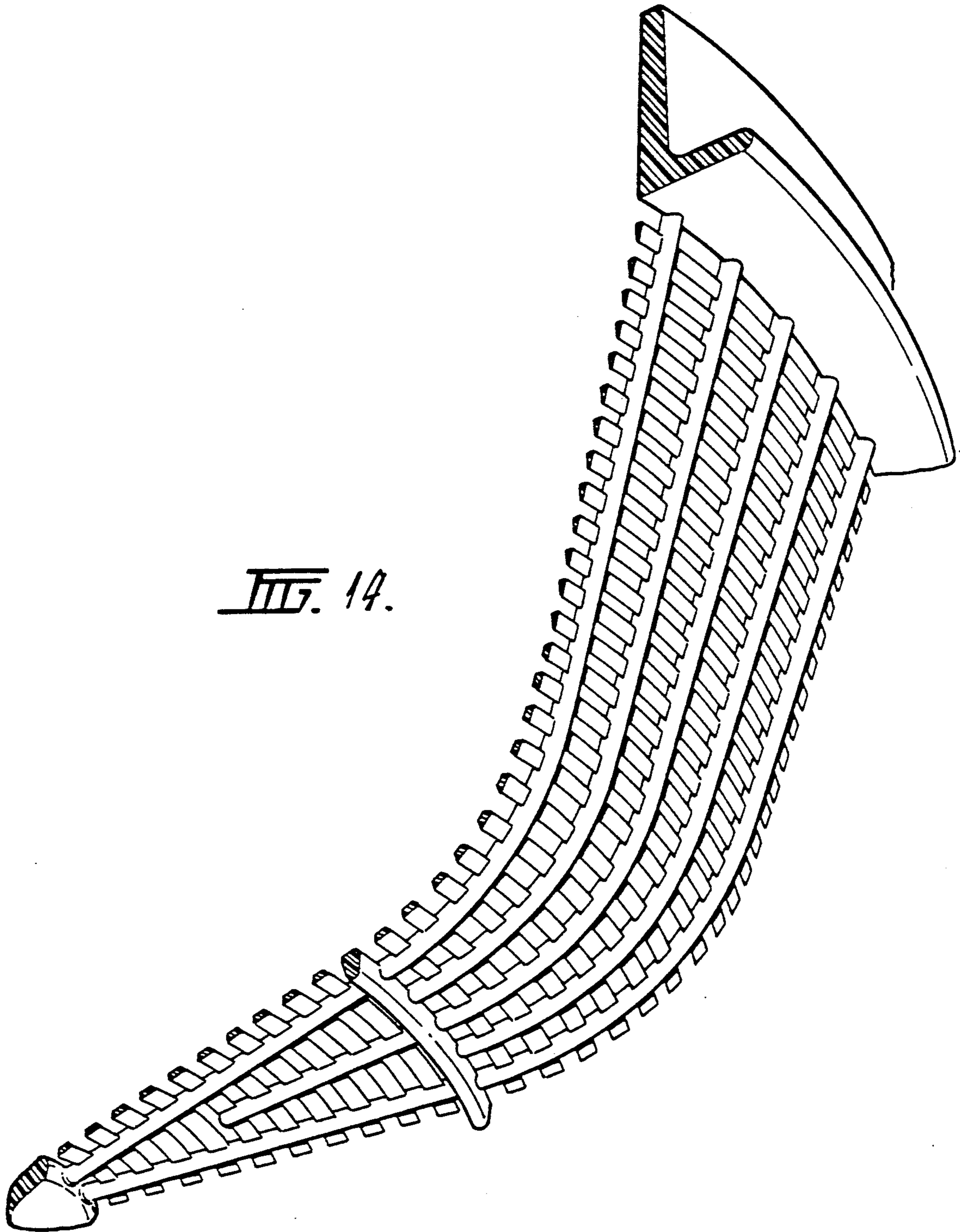


FIG. 14.