



US00D327608S

# United States Patent [19]

[11] Patent Number: **Des. 327,608**

Daenen et al.

[45] Date of Patent: **\*\* Jul. 7, 1992**

[54] COLANDER OR THE LIKE

[56] References Cited

[75] Inventors: **Robert H. C. M. Daenen,**  
**Erembodegem; Victor J. J.**  
**Cautereels, Borsbeek, both of**  
**Belgium**

### U.S. PATENT DOCUMENTS

D. 182,479 4/1958 Roop ..... D7/667  
D. 237,032 10/1975 Montesi ..... D7/667  
D. 249,924 10/1978 Fischer ..... D7/667 X

[73] Assignee: **Dart Industries Inc., Deerfield, Ill.**

*Primary Examiner*—Terry A. Pfeffer  
*Attorney, Agent, or Firm*—John A. Doninger

[\*\*] Term: **14 Years**

[57] CLAIM

The ornamental design for a colander or the like, as shown and described.

[21] Appl. No.: **567,452**

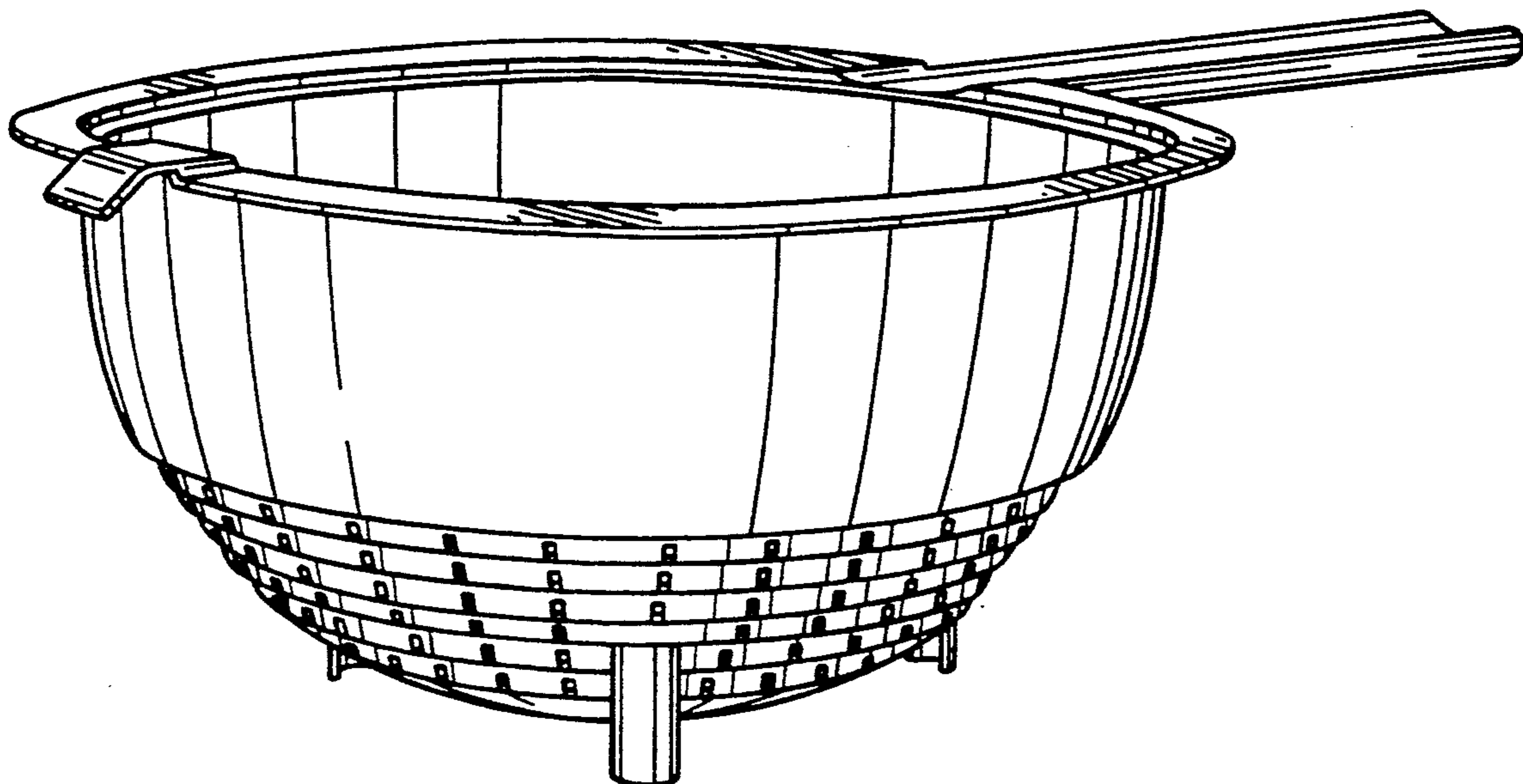
### DESCRIPTION

[22] Filed: **Aug. 14, 1990**

FIG. 1 is a top perspective view of a colander or the like showing our new design;  
FIG. 2 is a top plan view thereof;  
FIG. 3 is a bottom plan view thereof;  
FIG. 4 is a left side elevational view thereof, the opposite side being identical thereto;  
FIG. 5 is a rear elevational view thereof; and,  
FIG. 6 is a front elevational view thereof.

[52] U.S. Cl. .... **D7/667**

[58] Field of Search ..... **D7/400, 667, 668;**  
**210/464, 465, 470, 471, 473**



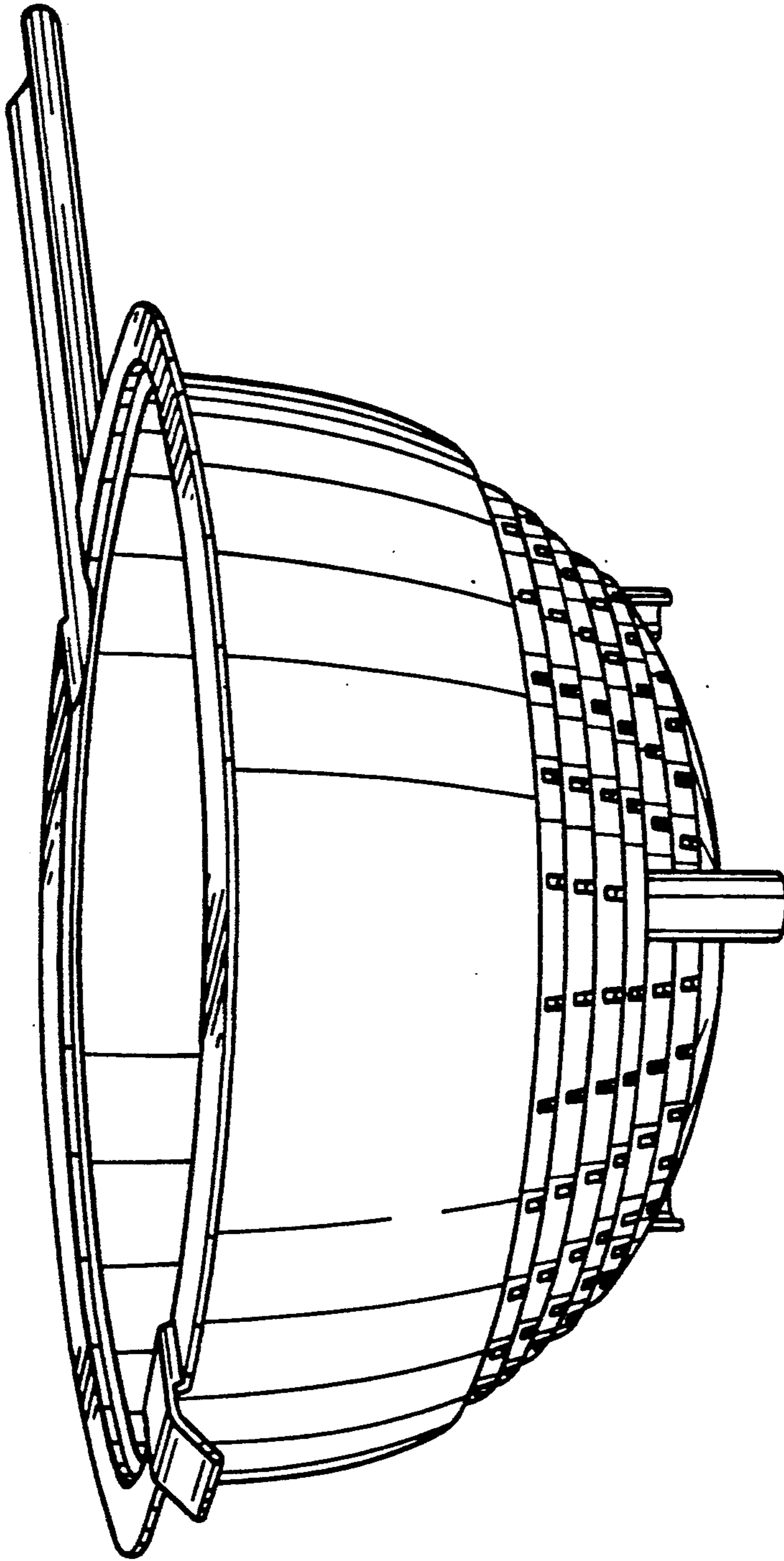


FIG. 1

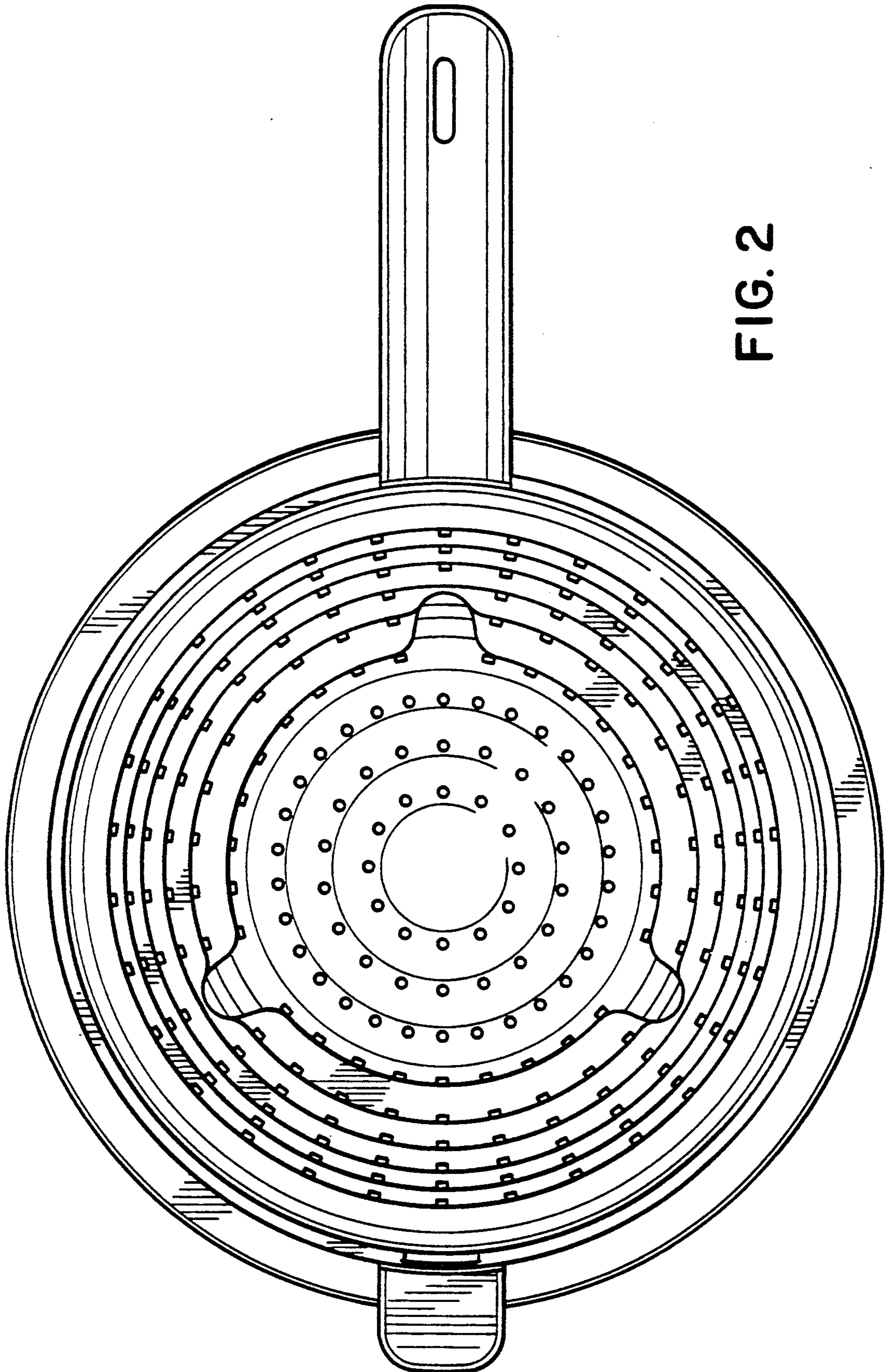


FIG. 2



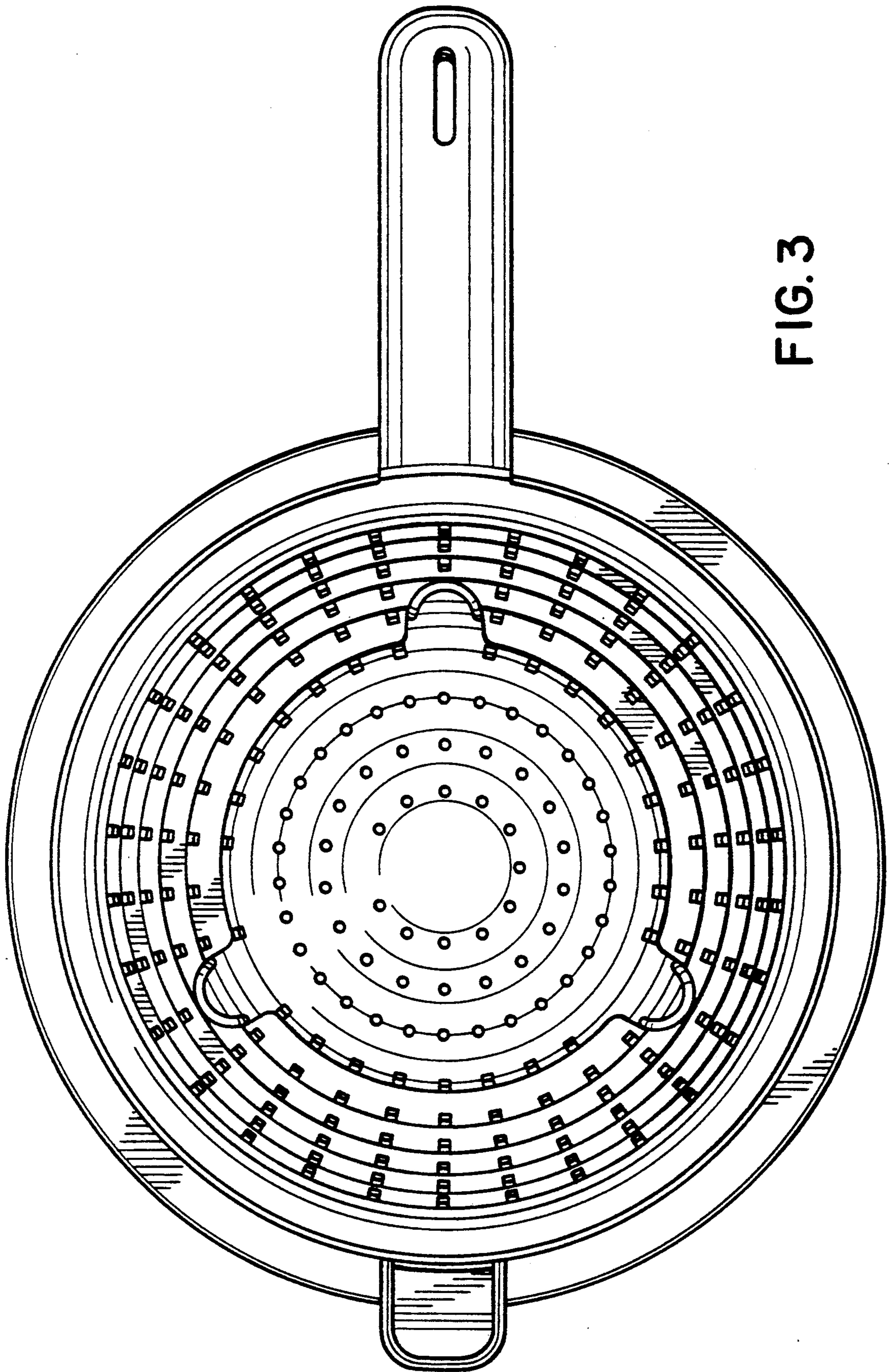


FIG. 3

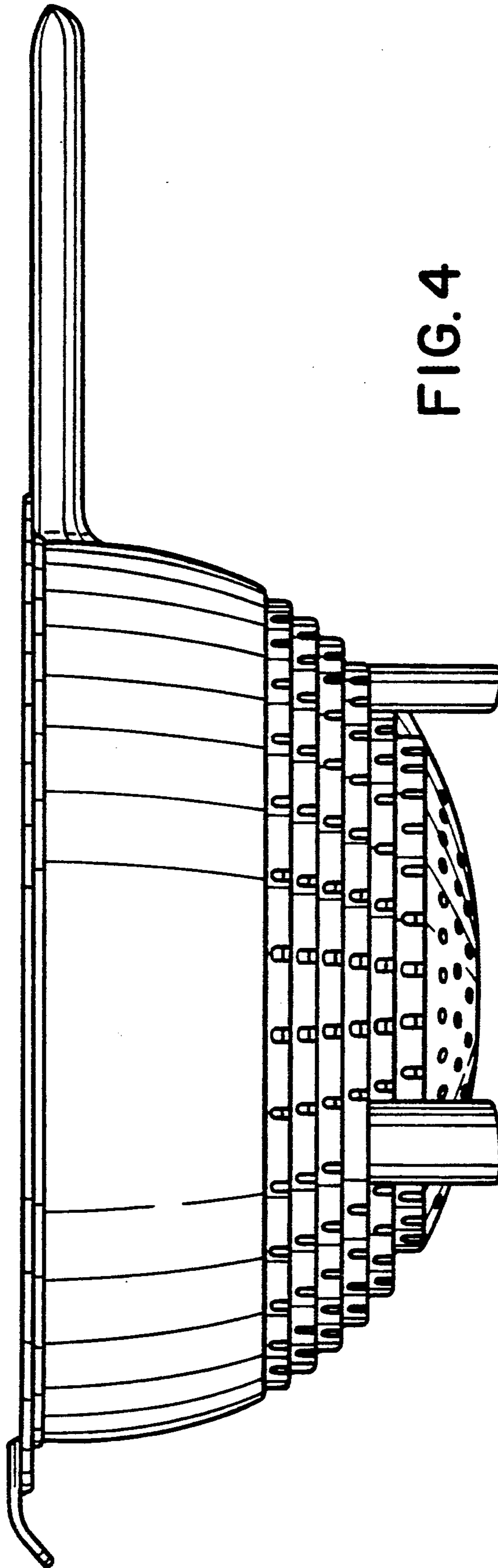


FIG. 4

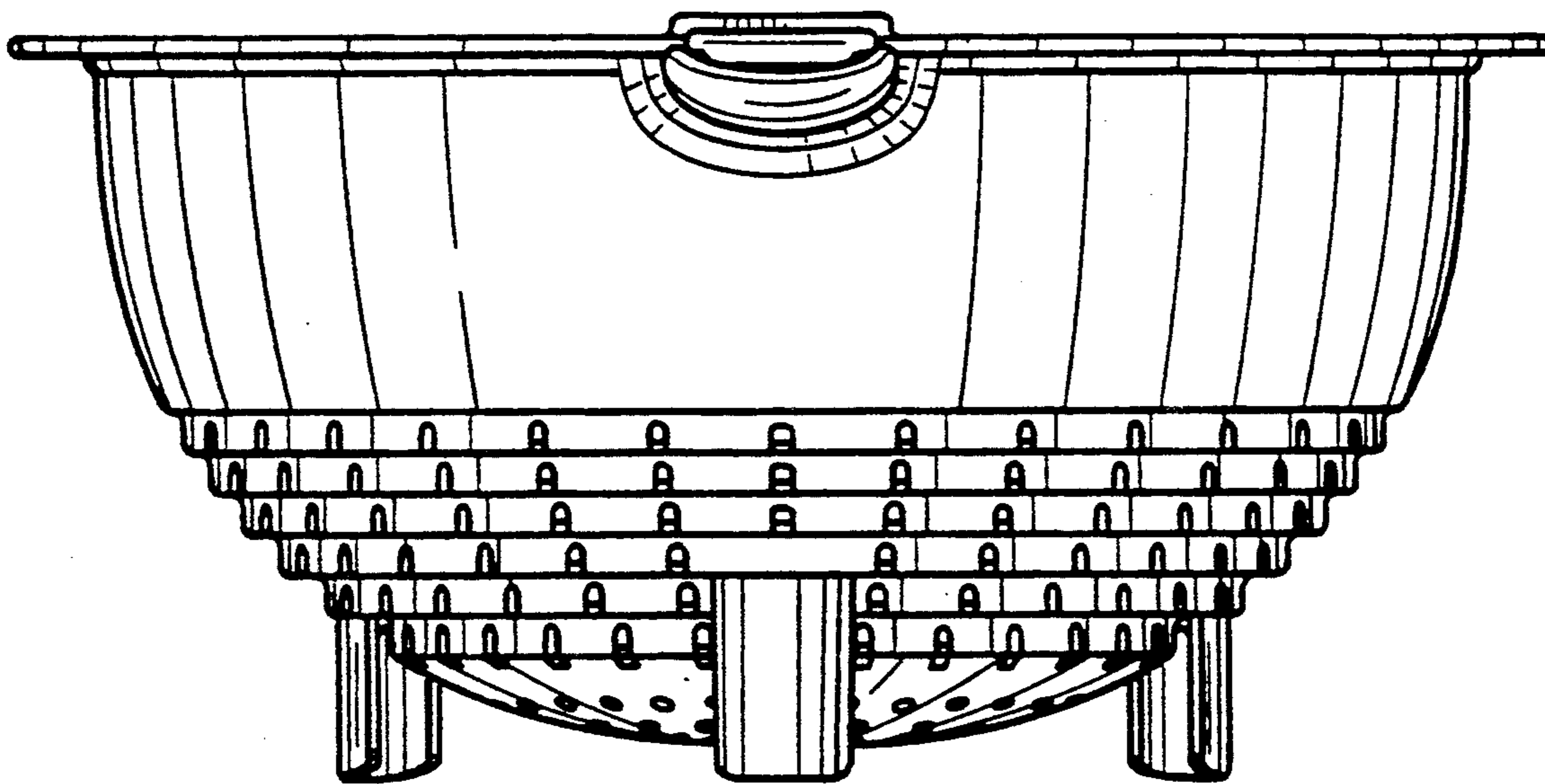


FIG. 5

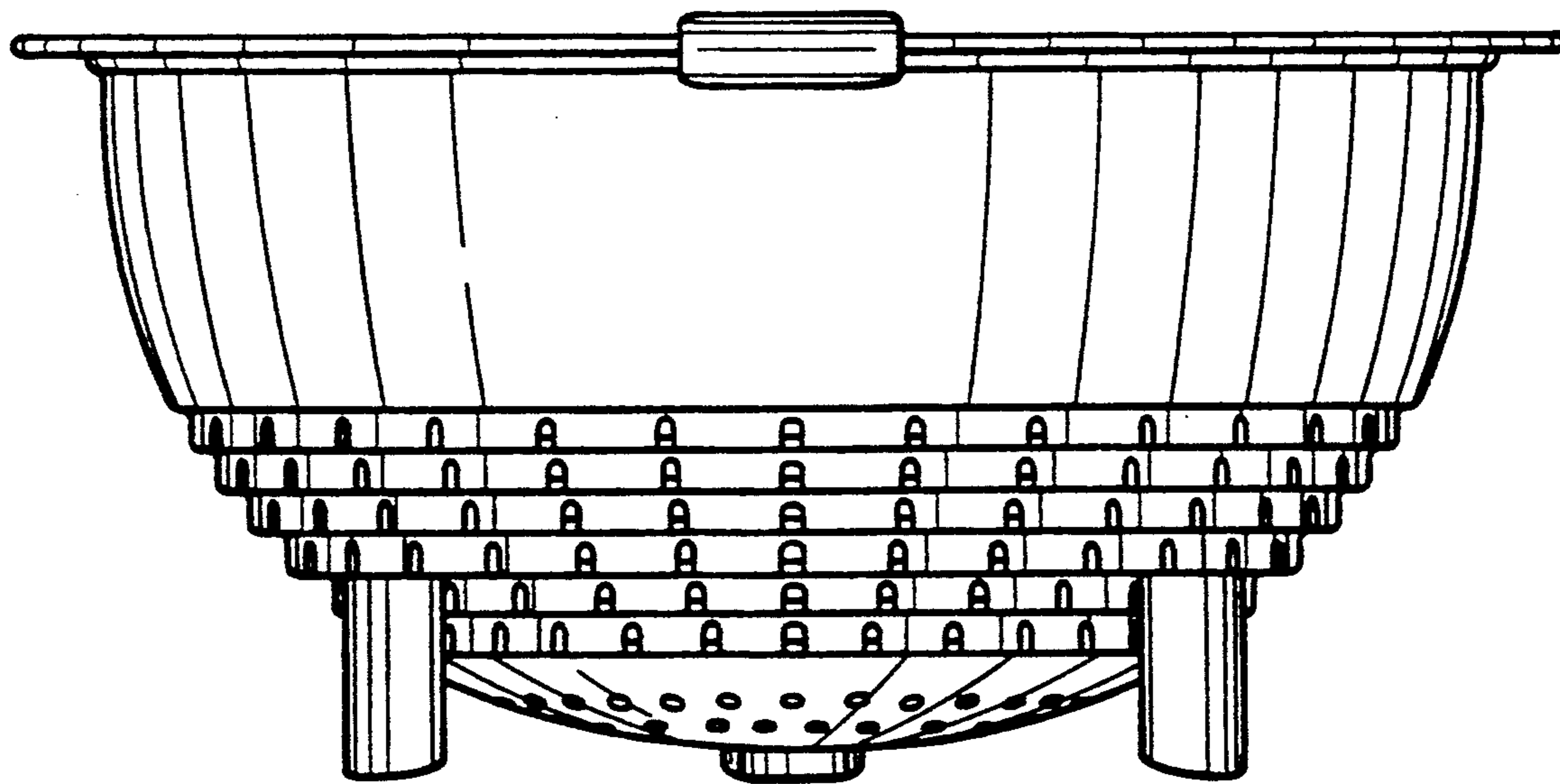


FIG. 6