



US00D327605S

United States Patent [19]

[11] Patent Number: **Des. 327,605**

Daenen et al.

[45] Date of Patent: **** Jul. 7, 1992**

[54] COLANDER COVER OR THE LIKE

[56] References Cited

[75] Inventors: **Robert H. C. M. Daenen,**
Erembodegem; Victor J. J.
Cautereels, Borsbeek, both of
Belgium

U.S. PATENT DOCUMENTS

D. 245,565 8/1977 Steiner et al. D7/667
2,520,382 8/1950 Conrad et al. D7/667 X

[73] Assignee: **Dart Industries Inc., Deerfield, Ill.**

Primary Examiner—Terry A. Pfeffer
Attorney, Agent, or Firm—John A. Doninger

[**] Term: **14 Years**

[57] CLAIM

The ornamental design for a colander cover or the like,
as shown and described.

[21] Appl. No.: **567,451**

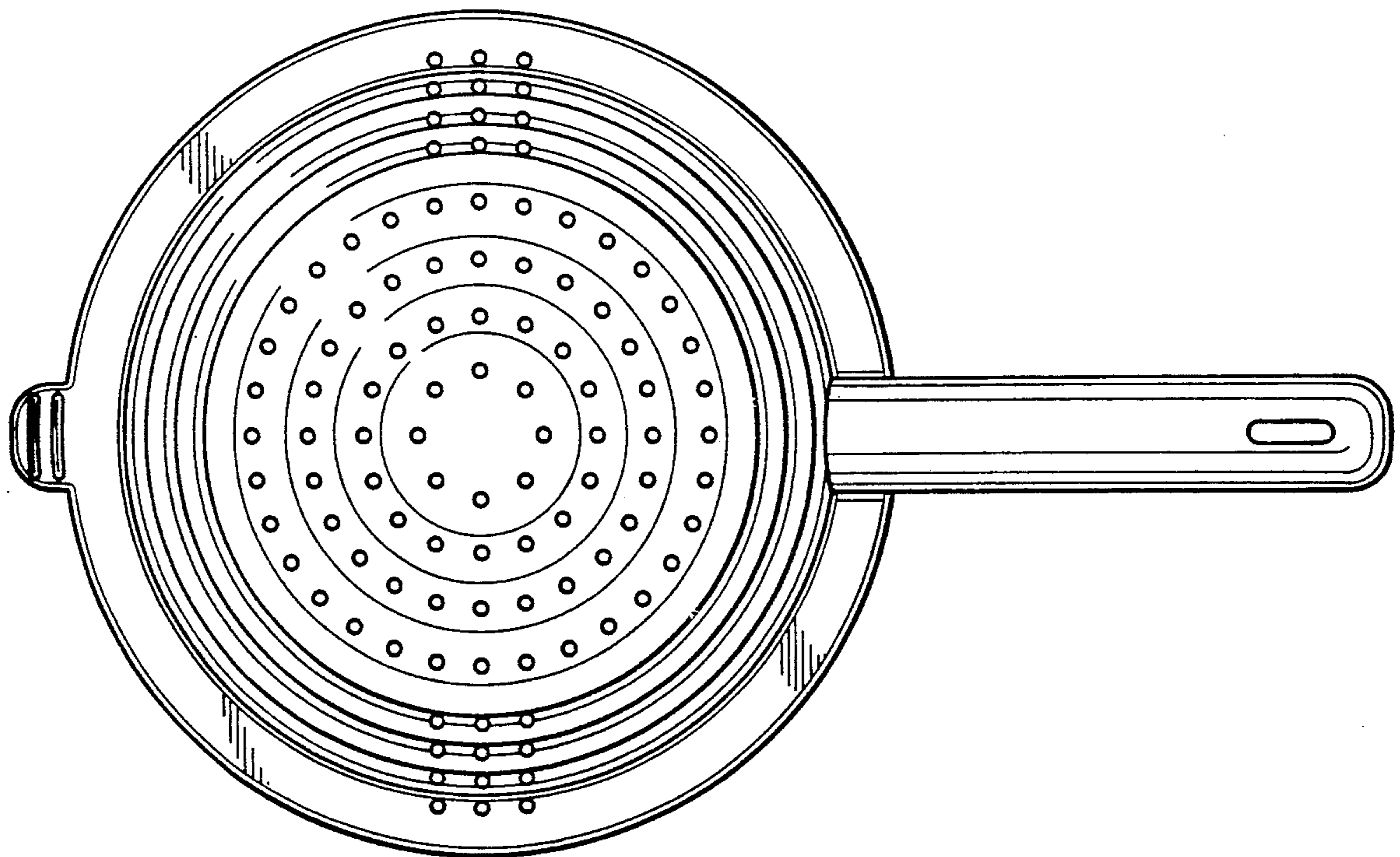
DESCRIPTION

[22] Filed: **Aug. 14, 1990**

[52] U.S. Cl. **D7/667**

[58] Field of Search **D7/400, 667, 668;**
210/464, 465, 470, 471, 473

FIG. 1 is a top perspective view of a colander cover or the like showing our new design;
FIG. 2 is a top plan view thereof;
FIG. 3 is a bottom plan view thereof;
FIG. 4 is a left side elevational view thereof, the opposite side being identical thereto;
FIG. 5 is a rear elevational view thereof; and,
FIG. 6 is a front elevational view thereof.



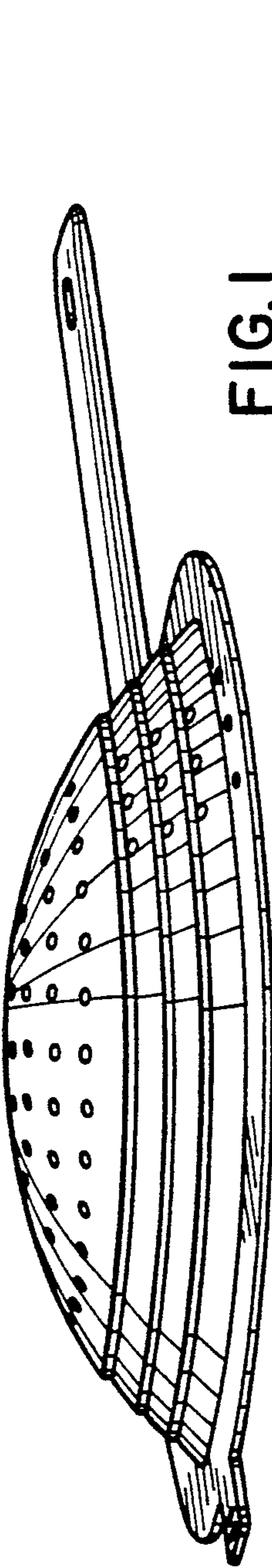


FIG. 1

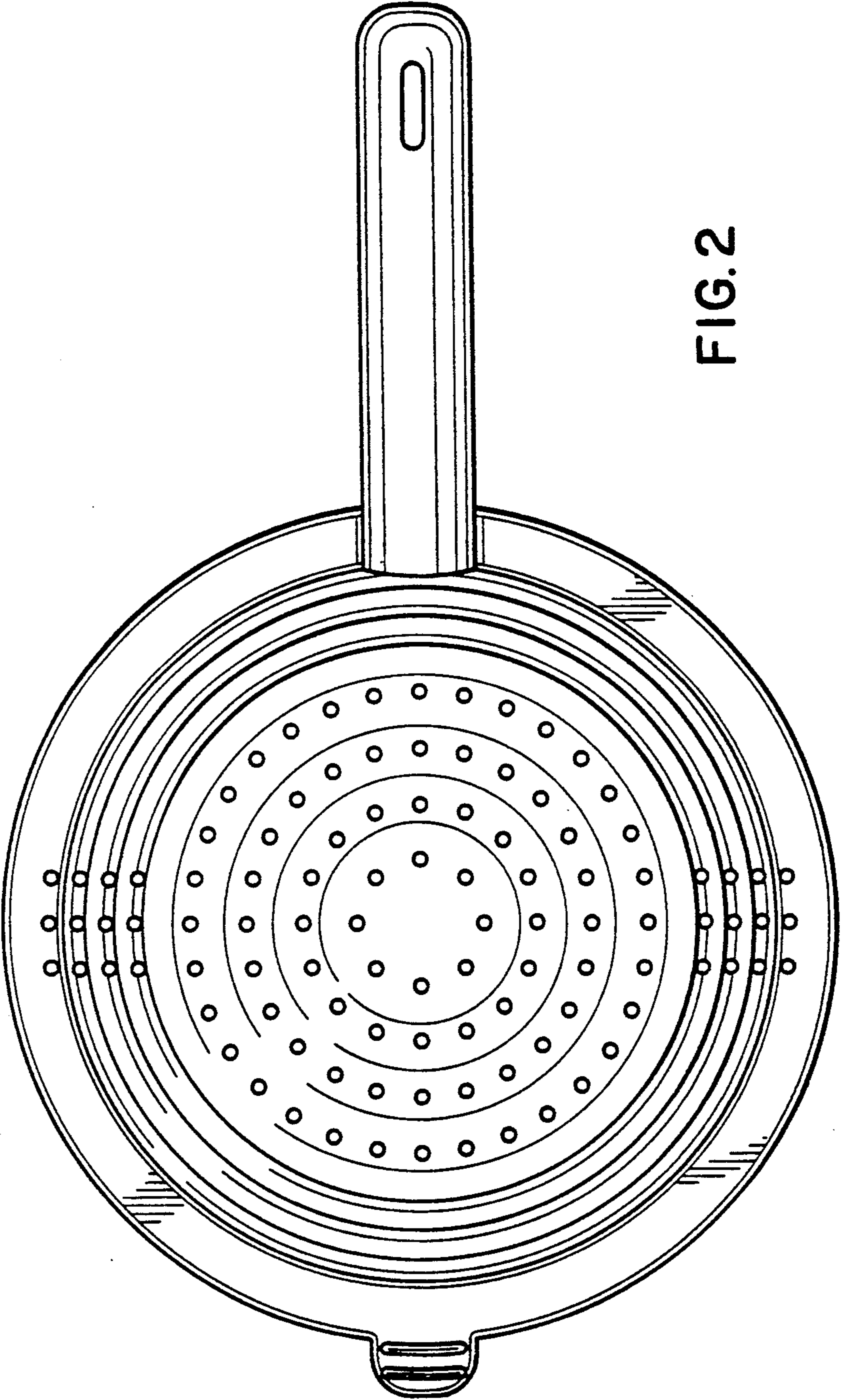


FIG. 2

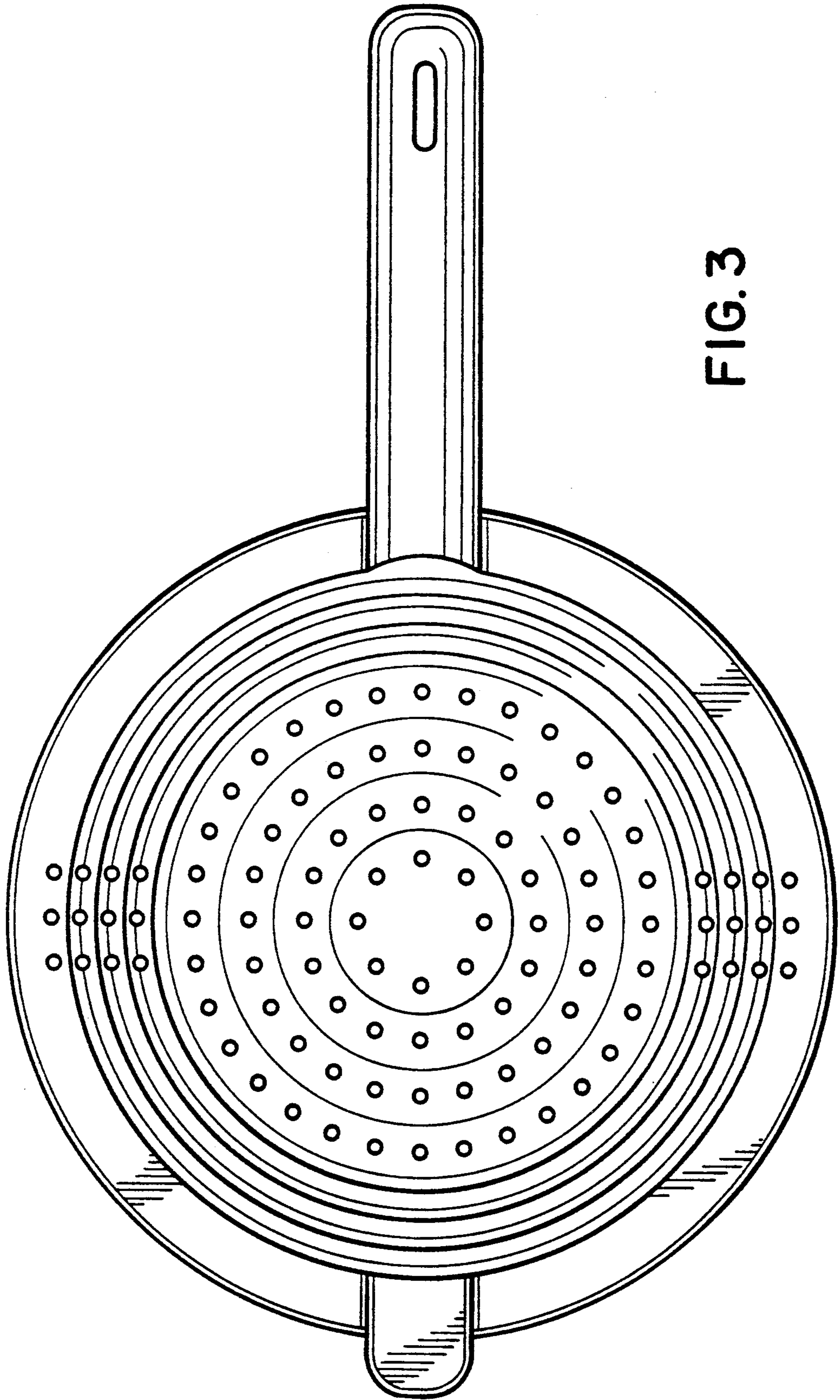


FIG. 3

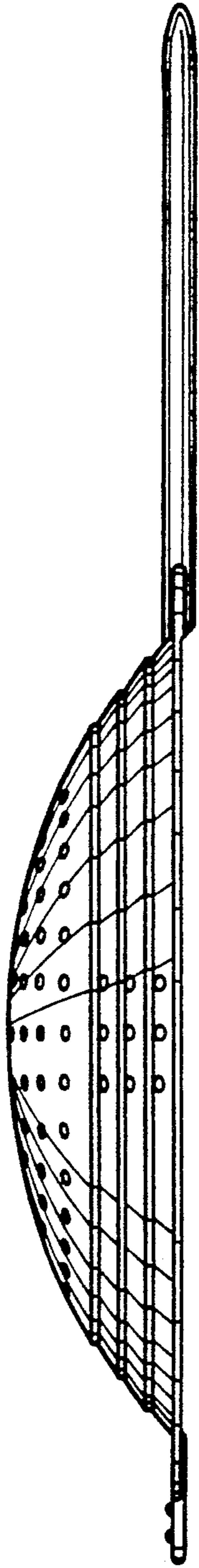


FIG. 4

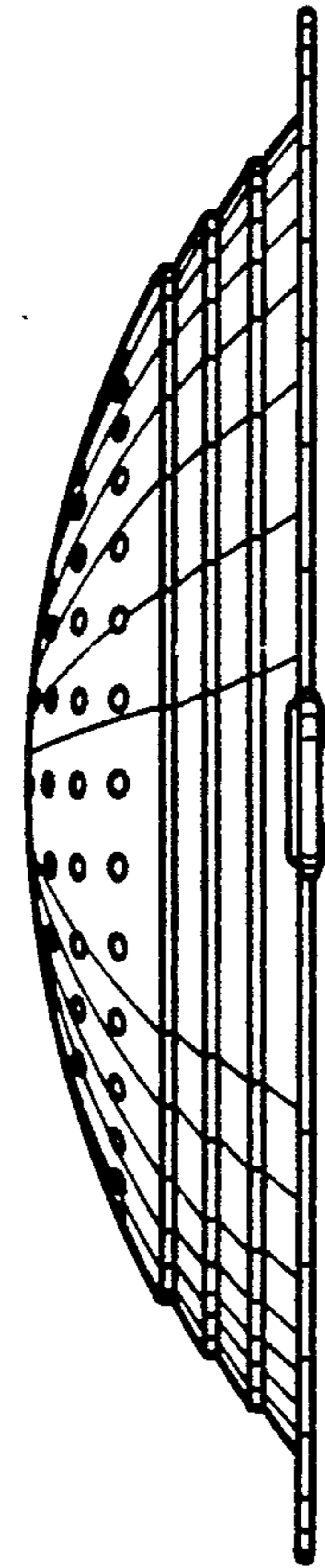


FIG. 6

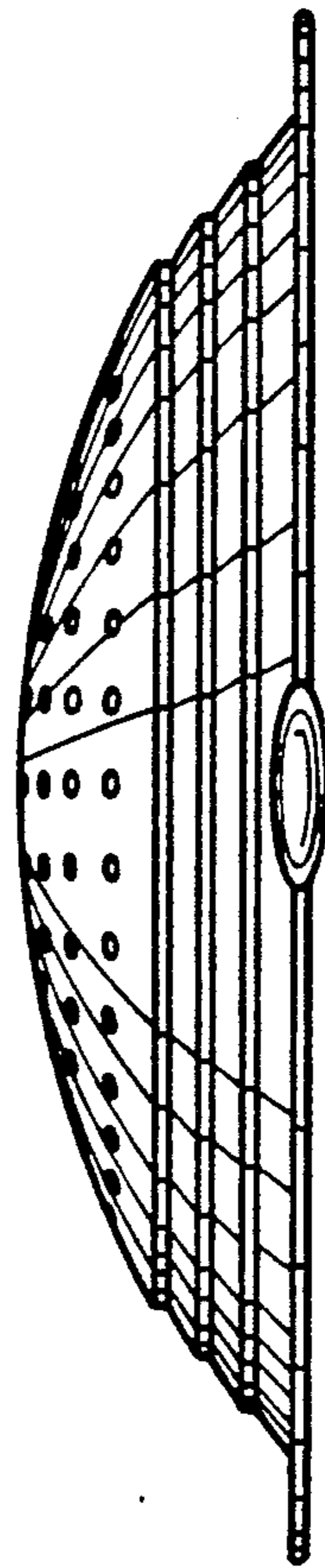


FIG. 5