



US00D327604S

United States Patent [19]

Culverson

[11] Patent Number: **Des. 327,604**

[45] Date of Patent: **** Jul. 7, 1992**

[54] **BEER KEG STACKING SPACER**

4,932,621 6/1990 Kowk 248/346 X

[76] Inventor: **Harold G. Culverson, 29659 Y-S-P Pky., Coarsegold, Calif. 93614**

[**] Term: **14 Years**

[21] Appl. No.: **430,475**

[22] Filed: **Nov. 2, 1989**

[52] U.S. Cl. **D7/387; D7/404**

[58] Field of Search **D7/387, 402, 404, 403; 211/74; 248/346; 210/475**

[56] **References Cited**

U.S. PATENT DOCUMENTS

D. 169,421	4/1953	Carr	D7/402
2,211,261	8/1940	Enos	D7/403
2,683,579	7/1954	Wallace	248/346
4,080,884	3/1978	Terrell	D7/387 X
4,905,945	3/1990	Peterson	248/346 X

OTHER PUBLICATIONS

The Collector's Guide to Old Fruit Jars Red Bk. No. 5 ©1986 by Alice M. Creswick (cover, pp. 207, 185, 157, 65, 54).

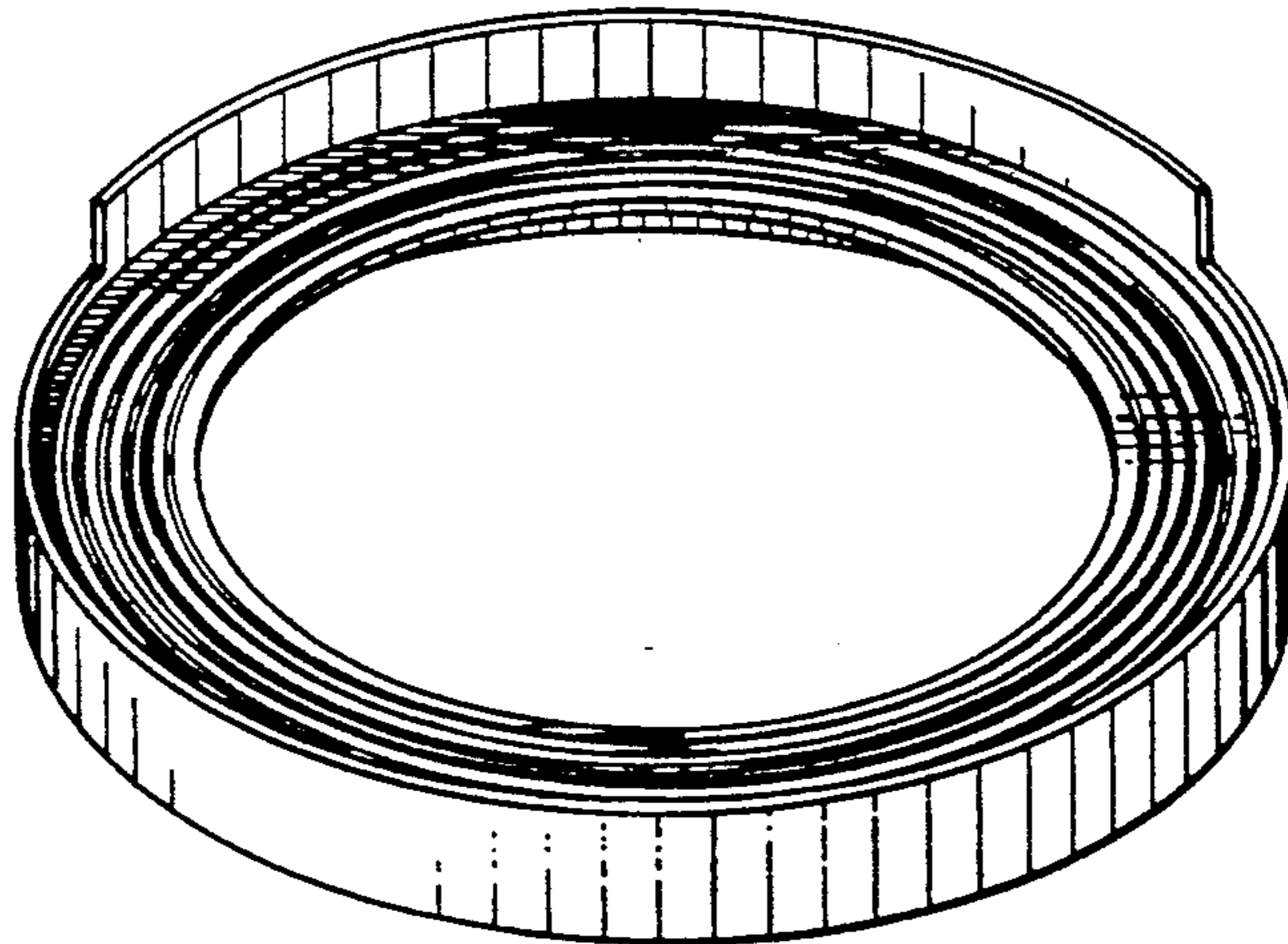
Primary Examiner—Donald P. Walsh
Assistant Examiner—M. N. Pandozzi
Attorney, Agent, or Firm—Basil Travis

[57] CLAIM

The ornamental design for a beer keg stacking spacer, as shown and described.

DESCRIPTION

FIG. 1 is a top plan view of a beer keg stacking spacer showing my new design; FIG. 2 is a bottom plan view thereof; FIG. 3 is a top, front perspective view thereof; and, FIG. 4 is a bottom, rear perspective view thereof.



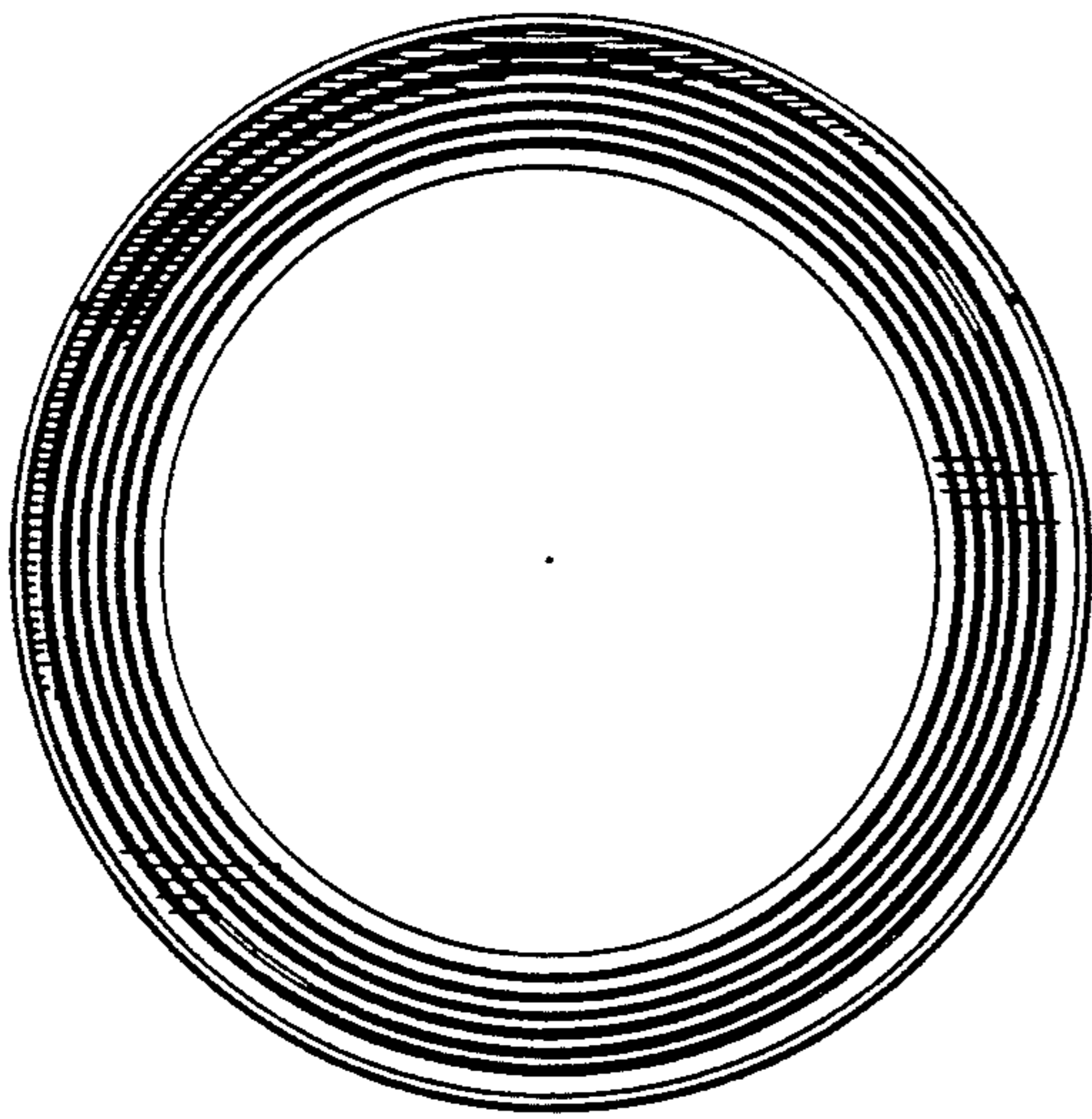


FIG. 1

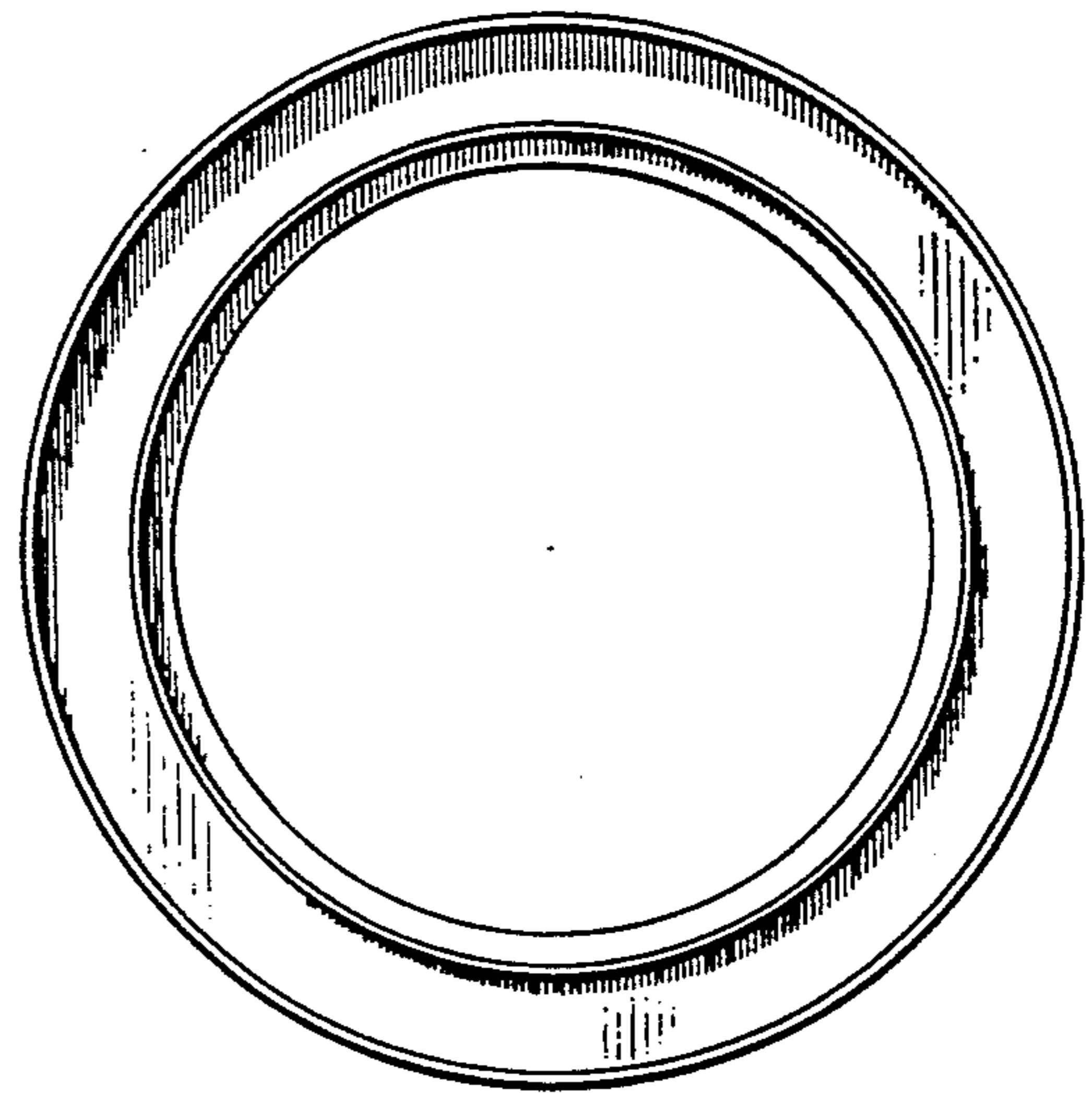


FIG. 2

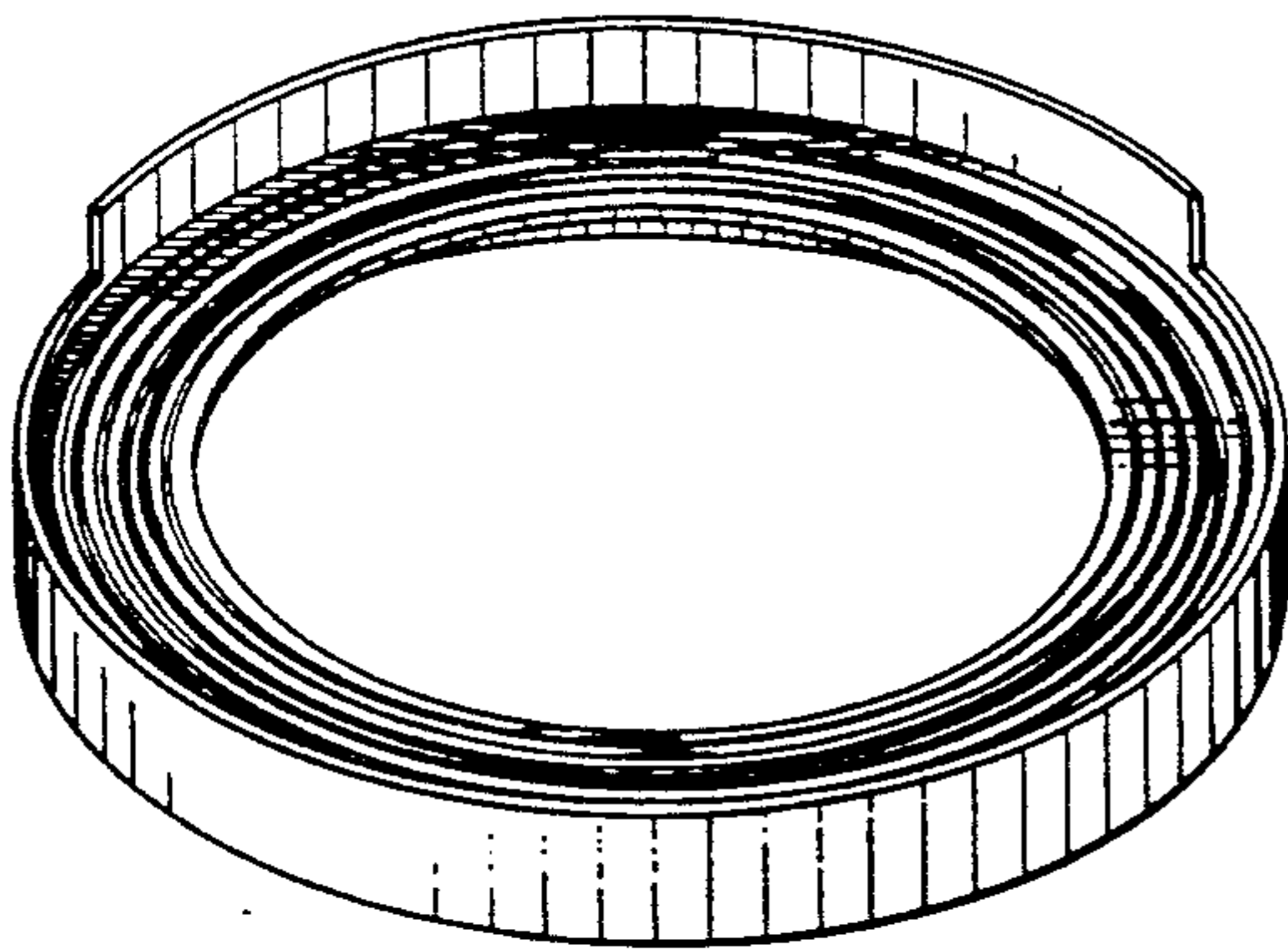


FIG. 3

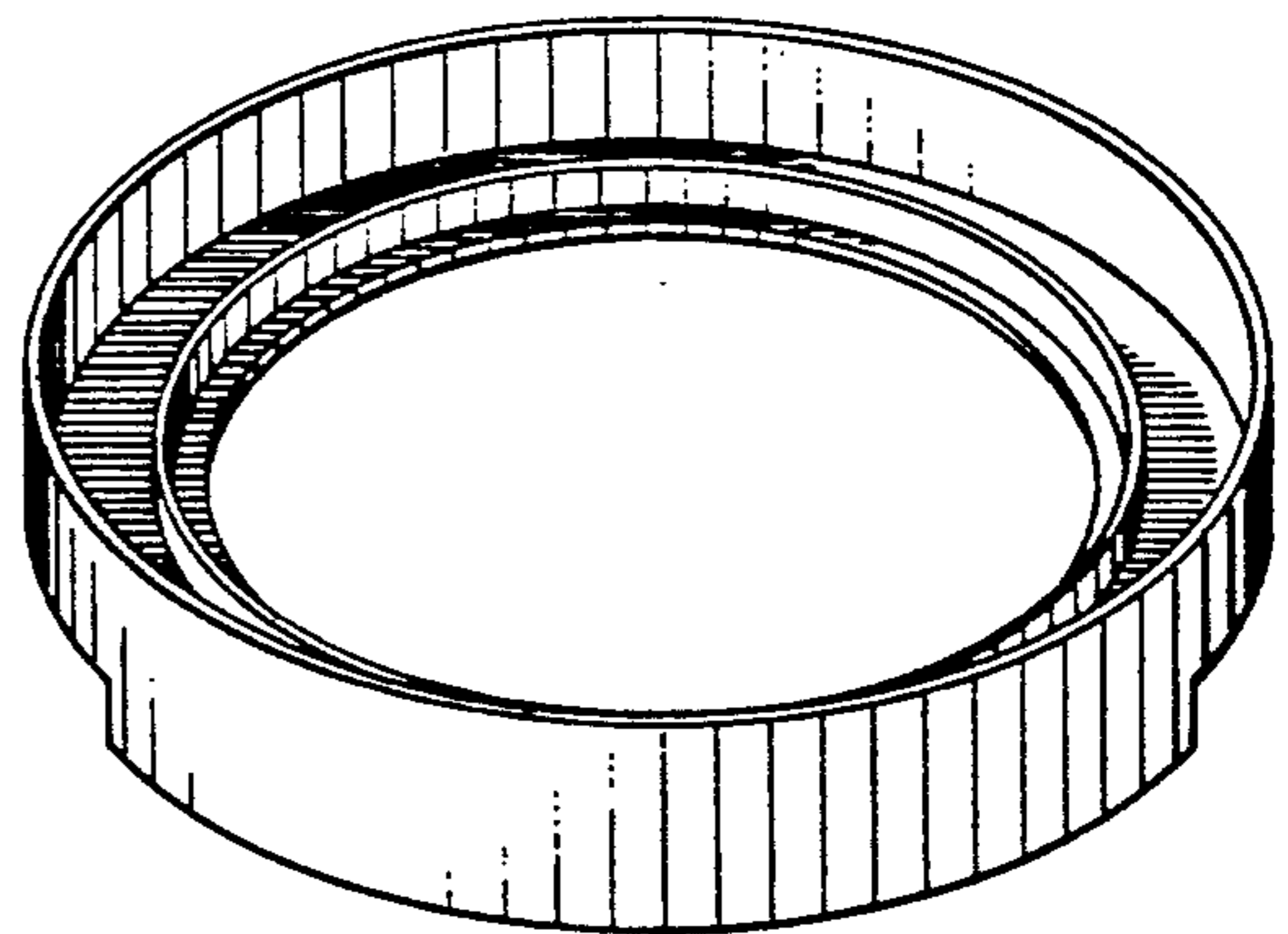


FIG. 4