



US00D327602S

**United States Patent** [19]  
**Walker**

[11] **Patent Number: Des. 327,602**  
[45] **Date of Patent: \*\* Jul. 7, 1992**

[54] **BARBEQUE GRILL**  
[76] **Inventor: Jeffrey D. Walker, 908 E. Brockton, Madison Heights, Mich. 48071**  
[\*\*] **Term: 14 Years**  
[21] **Appl. No.: 519,681**  
[22] **Filed: Jun. 22, 1990**  
[52] **U.S. Cl. .... D7/335**  
[58] **Field of Search ..... D7/332, 335, 336, 337, D7/409; 126/25 R, 25 A, 25 AA, 29-30, 9 R, 9 A, 9 B, 38, 37 R; 99/419**

2,827,846 3/1958 Karkling ..... 126/25 R  
2,977,953 4/1961 Dowdy ..... D7/336

*Primary Examiner—A. Hugo Word*  
*Assistant Examiner—Ruth McInroy*  
*Attorney, Agent, or Firm—Kraas & Young*

[57] **CLAIM**

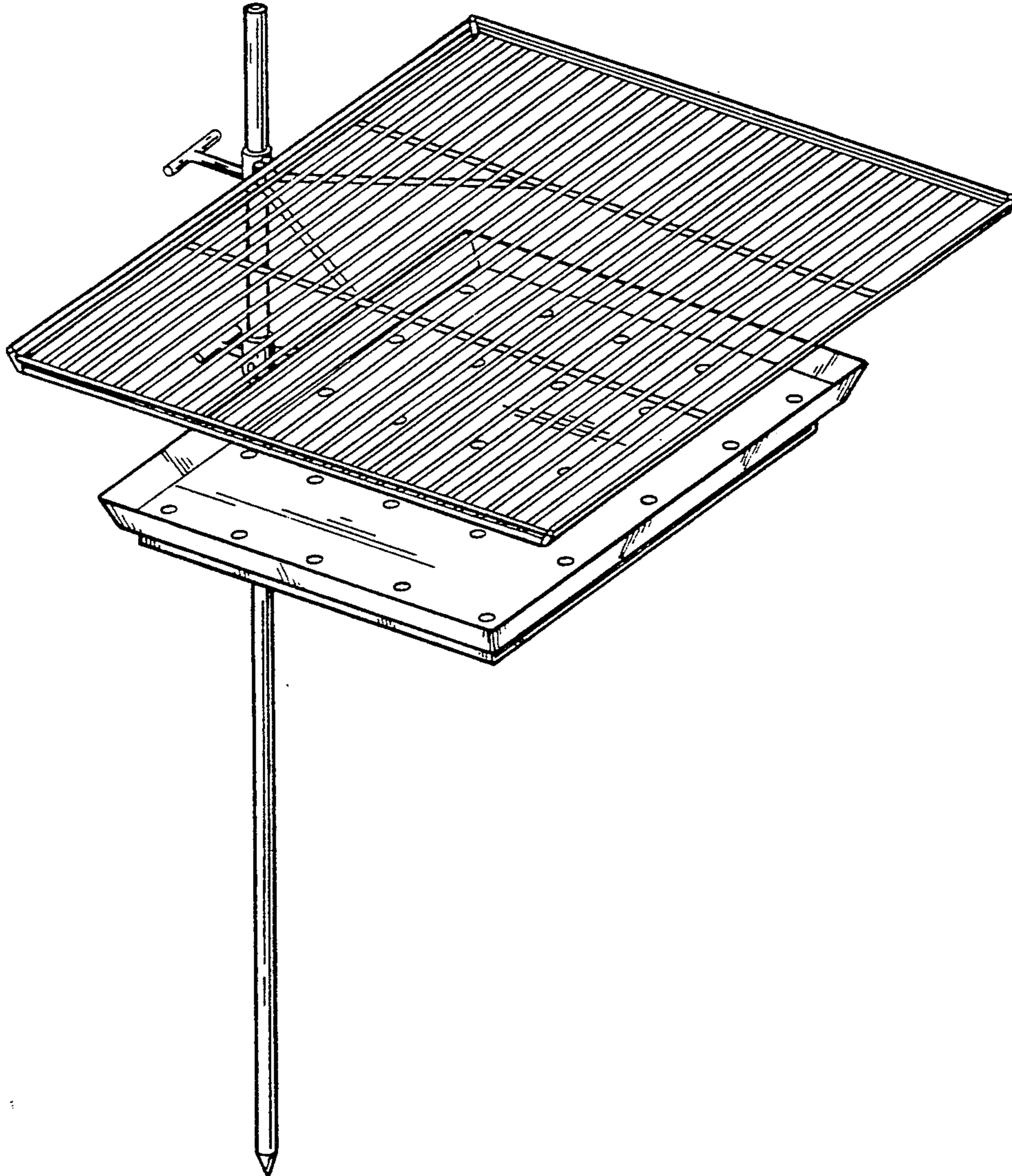
The ornamental design for a barbecue grill, as shown and described.

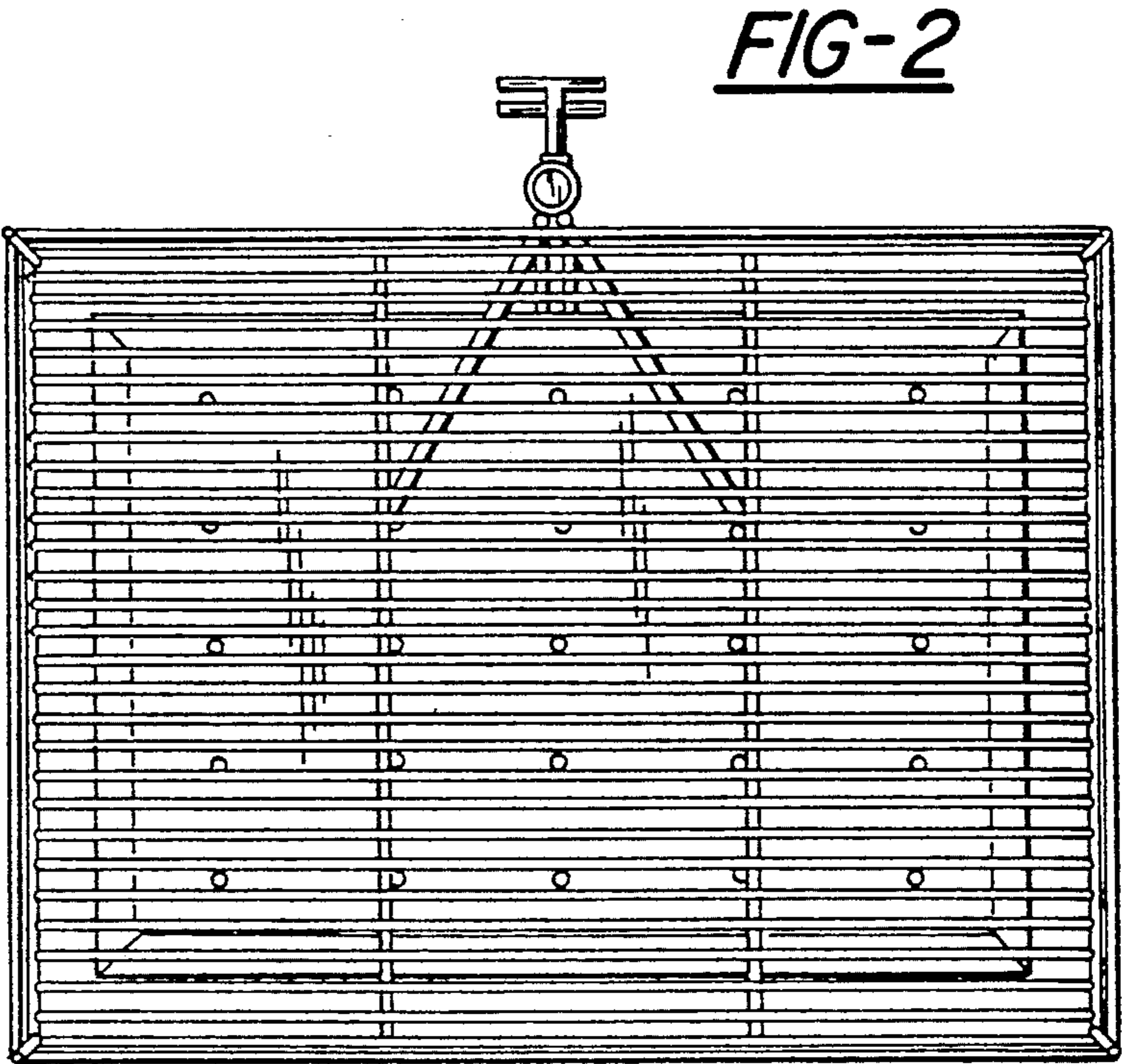
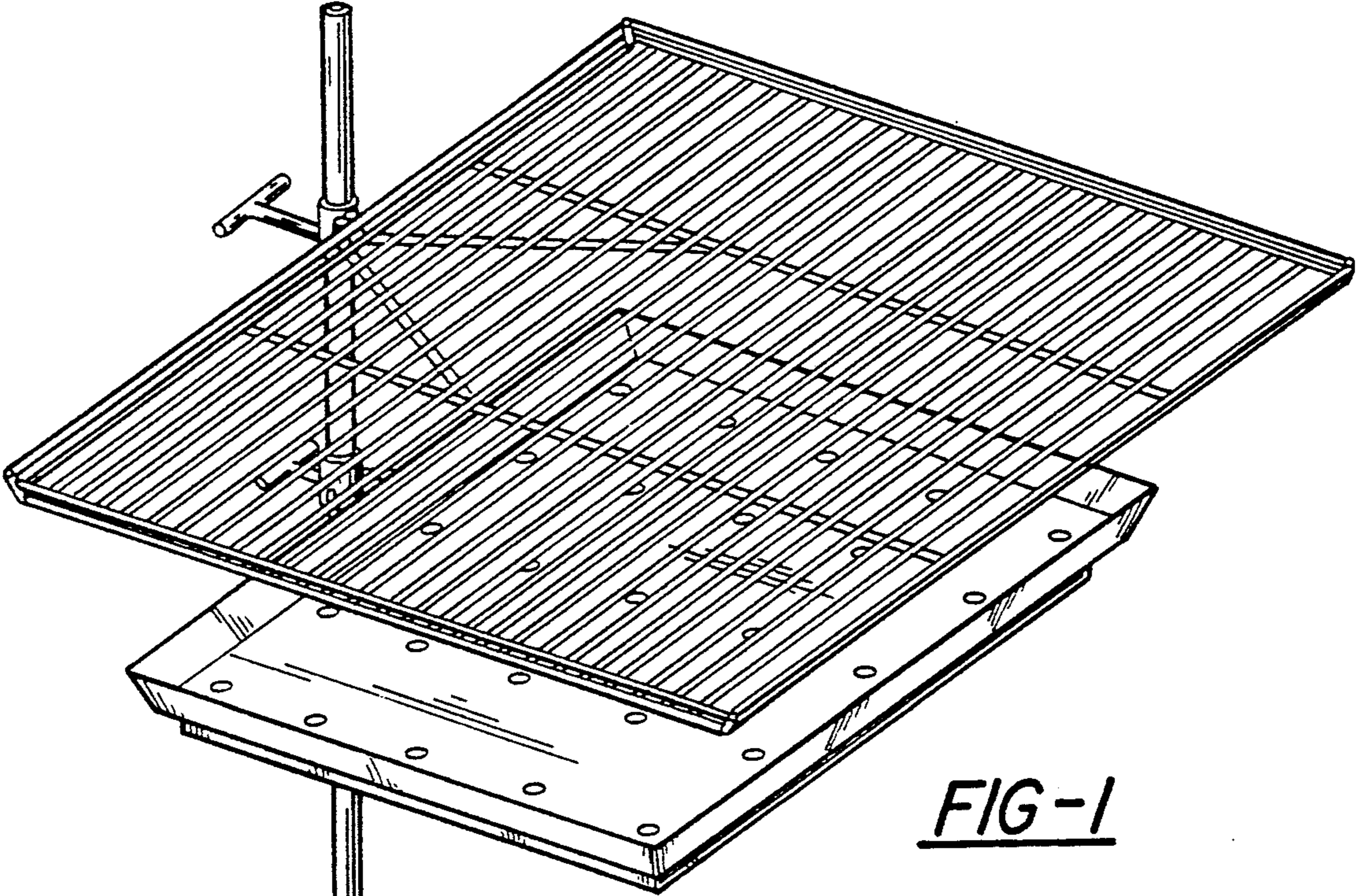
**DESCRIPTION**

FIG. 1 is a perspective view of a barbecue grill showing my new design;  
FIG. 2 is a top plan view thereof;  
FIG. 3 is a bottom plan view thereof;  
FIG. 4 is a right side elevational view thereof the left side being a mirror image;  
FIG. 5 is a front elevational view thereof; and,  
FIG. 6 is a rear elevational view thereof.

[56] **References Cited**  
**U.S. PATENT DOCUMENTS**

D. 182,762 5/1958 Forrest ..... D7/336  
D. 204,348 4/1966 Shilling ..... D7/336  
D. 234,286 2/1975 Makenny et al. .... D7/337  
D. 285,402 9/1986 Hamill et al. .... D7/335





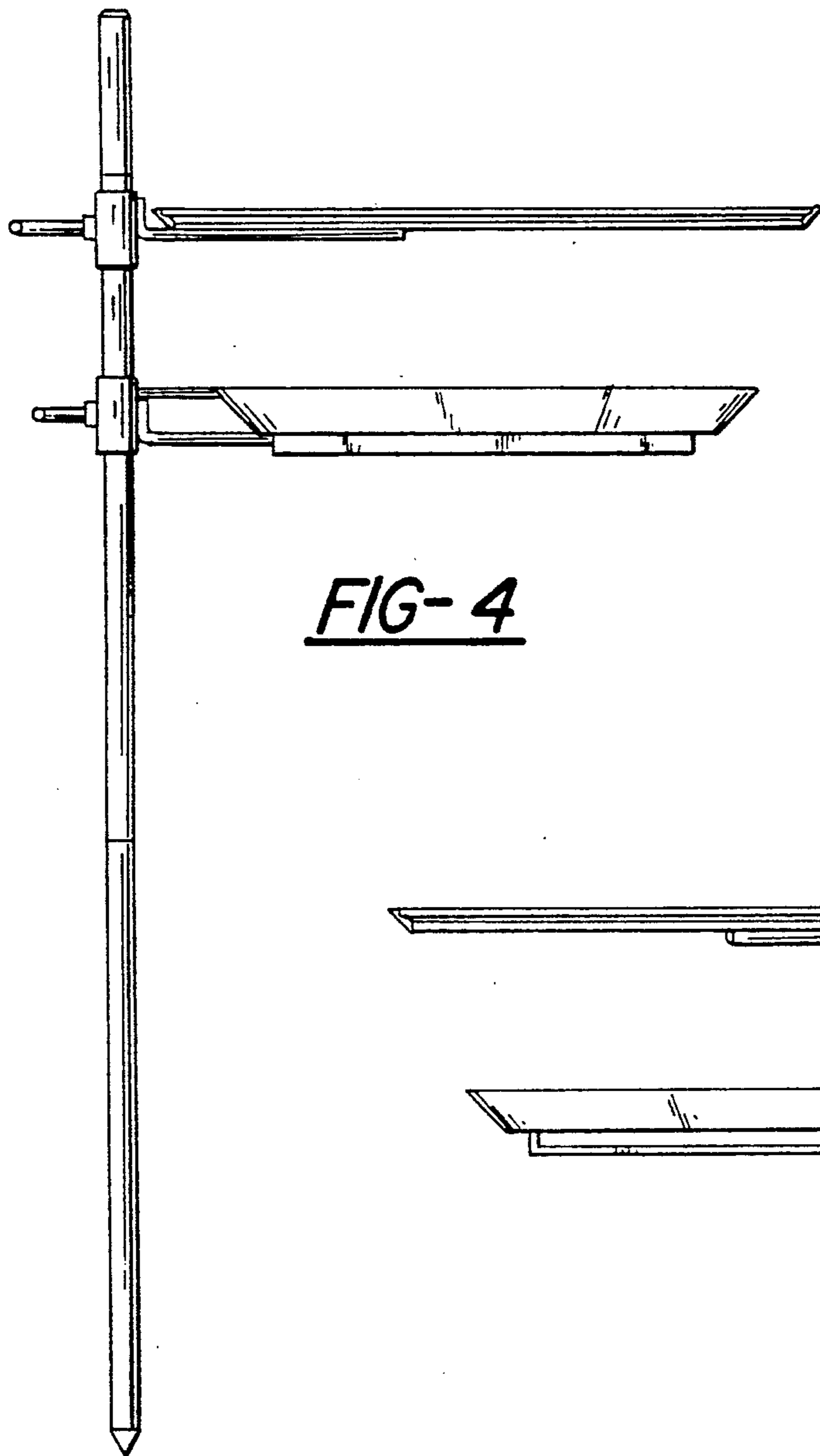


FIG-4

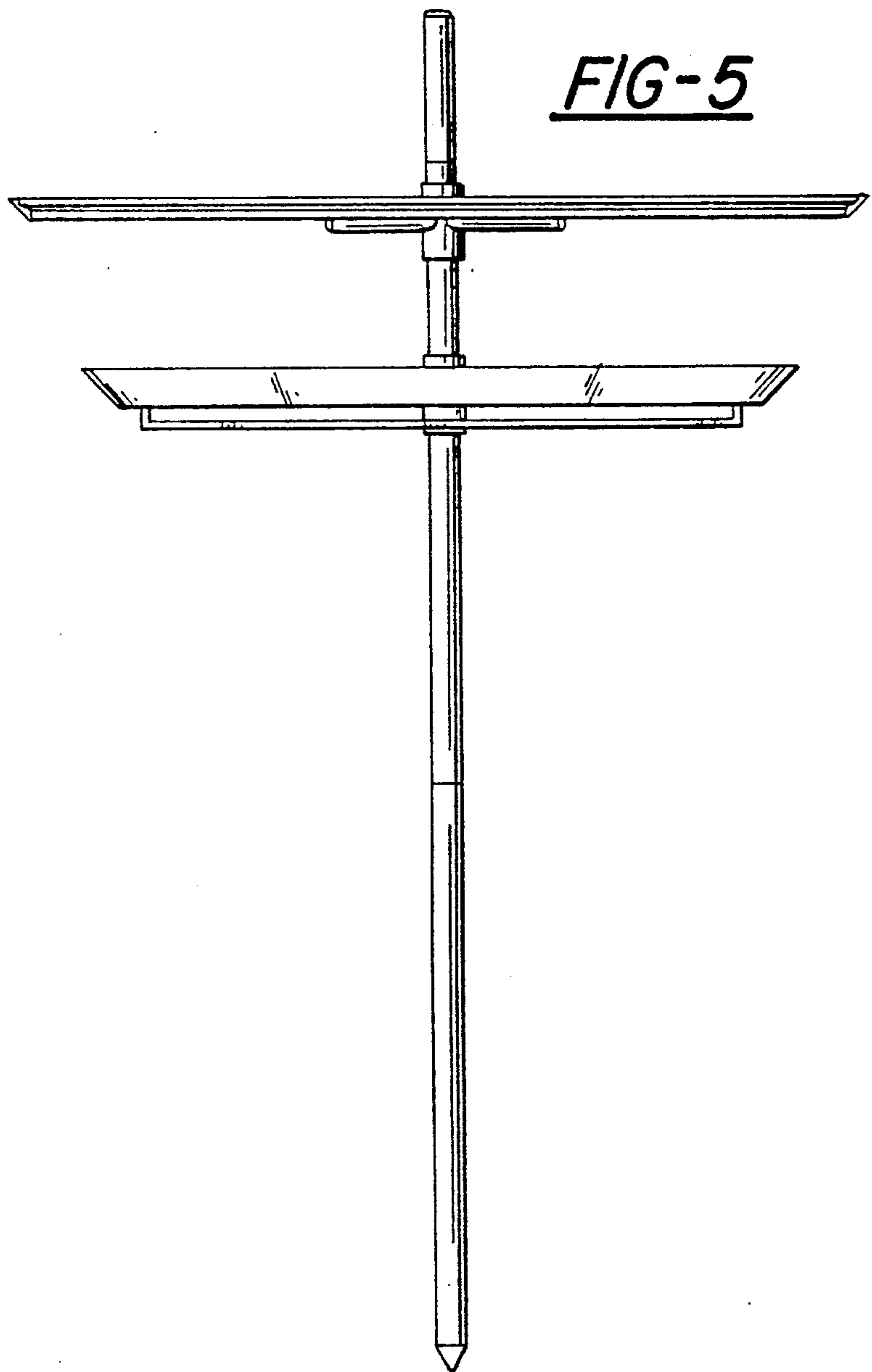


FIG-5

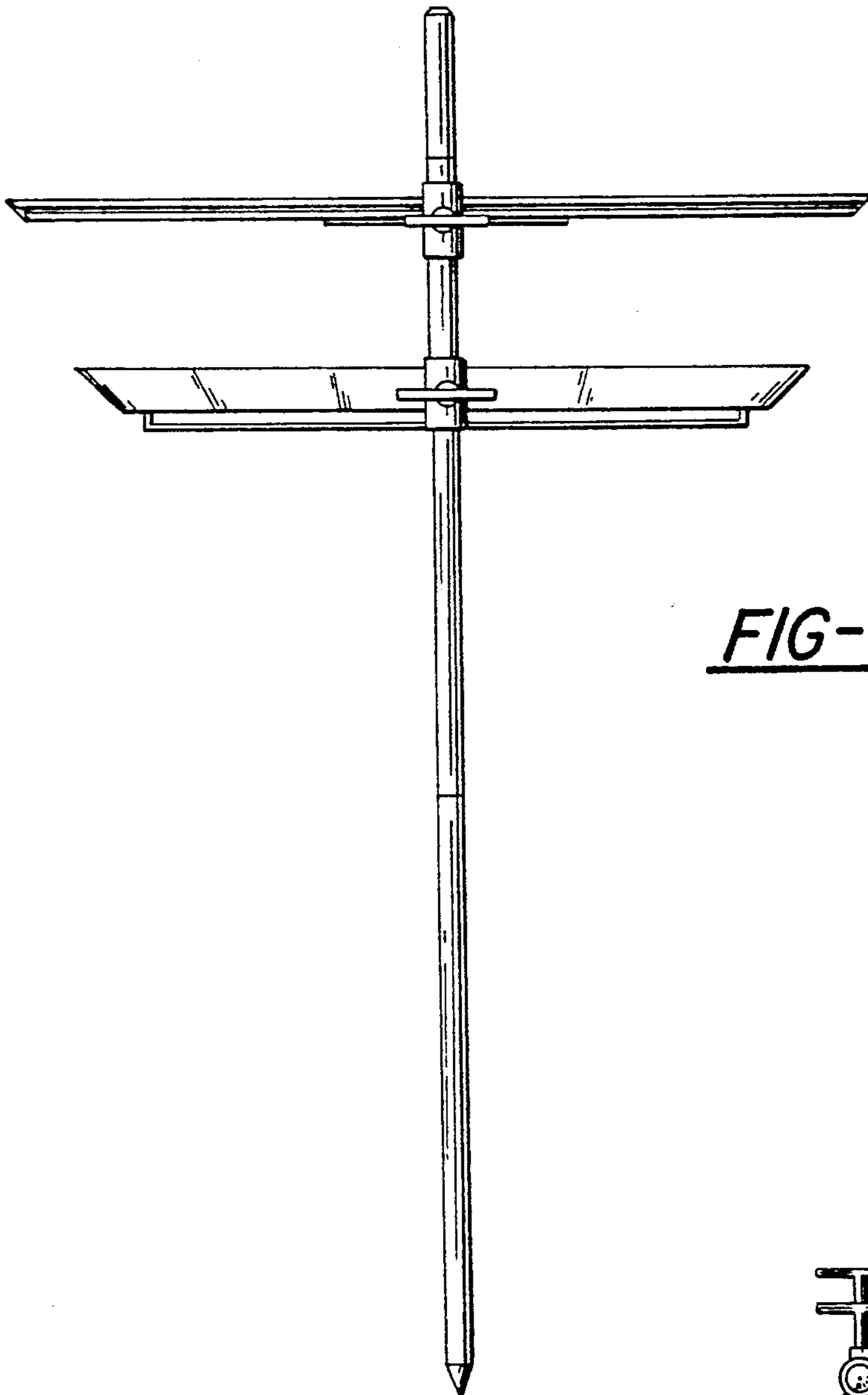


FIG-6

FIG-3

