



US00D327599S

United States Patent [19]

[11] Patent Number: **Des. 327,599**

David

[45] Date of Patent: **** Jul. 7, 1992**

[54] STORAGE BAG SUPPORT FRAME

4,860,982 8/1989 Berlant D6/566 X
4,893,769 1/1990 Rotelli 248/97

[76] Inventor: **Henry B. David**, 4420 San Fernando Rd., Glendale, Calif. 91204

Primary Examiner—Brian N. Vinson
Attorney, Agent, or Firm—Michael A. Painter

[**] Term: **14 Years**

[57] CLAIM

[21] Appl. No.: **530,084**

The ornamental design for a storage bag support frame, as shown and described.

[22] Filed: **Jul. 13, 1990**

[52] U.S. Cl. **D6/566**

DESCRIPTION

[58] Field of Search D6/553, 566-567;
D34/5-6; 211/13, 71, 87, 106, 113, 119, 181;
248/95, 97-99, 107, 220.2, 907

FIG. 1 is a top, front, and right side perspective view of a storage bag support frame showing my new design; FIG. 2 is a front elevational view thereof; FIG. 3 is a top plan view thereof; FIG. 4 is a left side elevational view thereof, the right side being a mirror image of that shown; FIG. 5 is a bottom plan view thereof; and, FIG. 6 is a rear elevational view thereof.

[56] References Cited

U.S. PATENT DOCUMENTS

D. 242,407 11/1976 Enckler D6/566 X
D. 301,102 5/1989 Kloberg, Jr. D6/567
D. 319,125 8/1991 Currie D34/6
4,498,652 2/1985 Malik 248/99
4,623,111 11/1986 Prader D6/512 X

The broken-line disclosure of a storage bag shown in the views is for illustrative purposes only and forms no part of the claimed design.

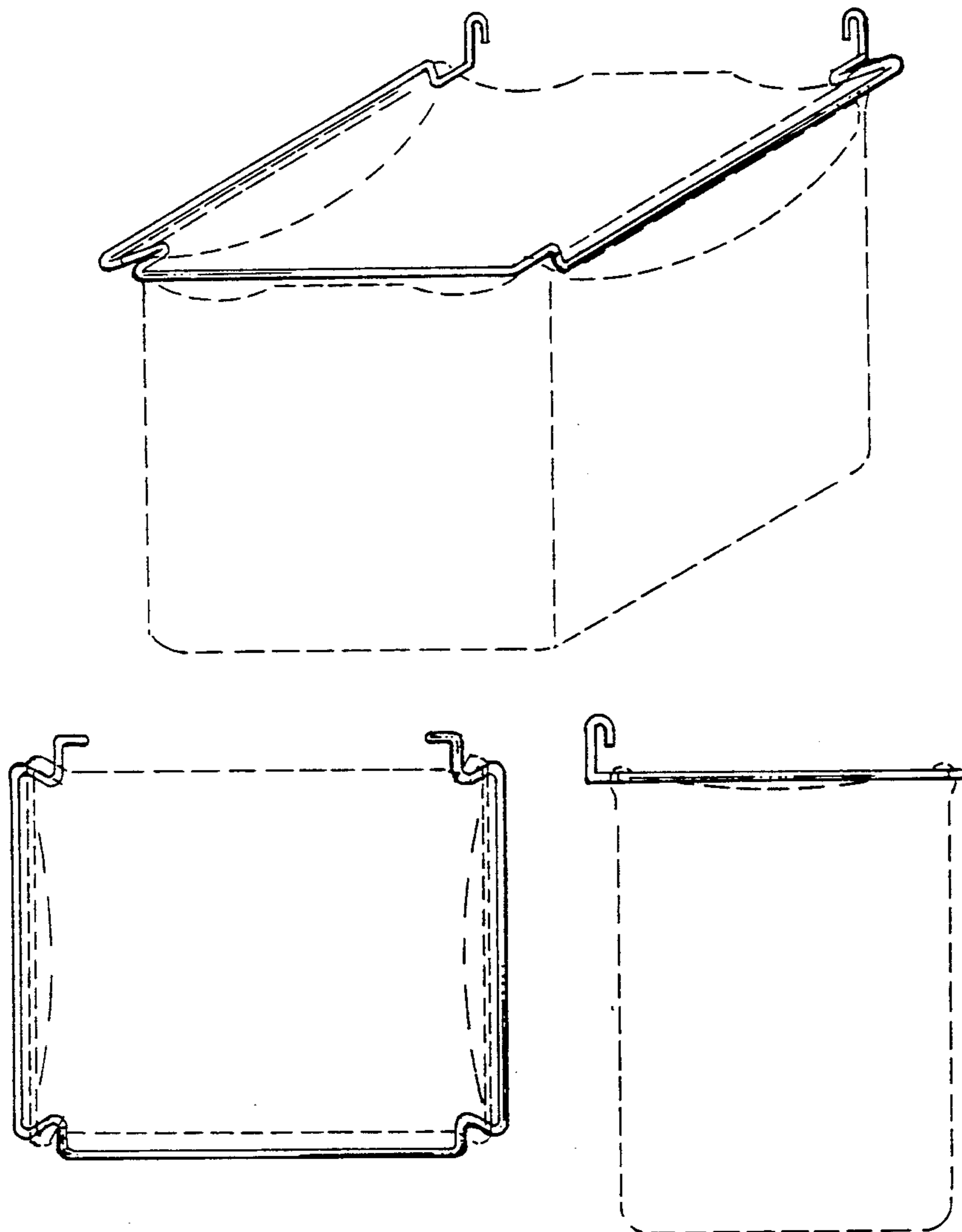


FIG. 1

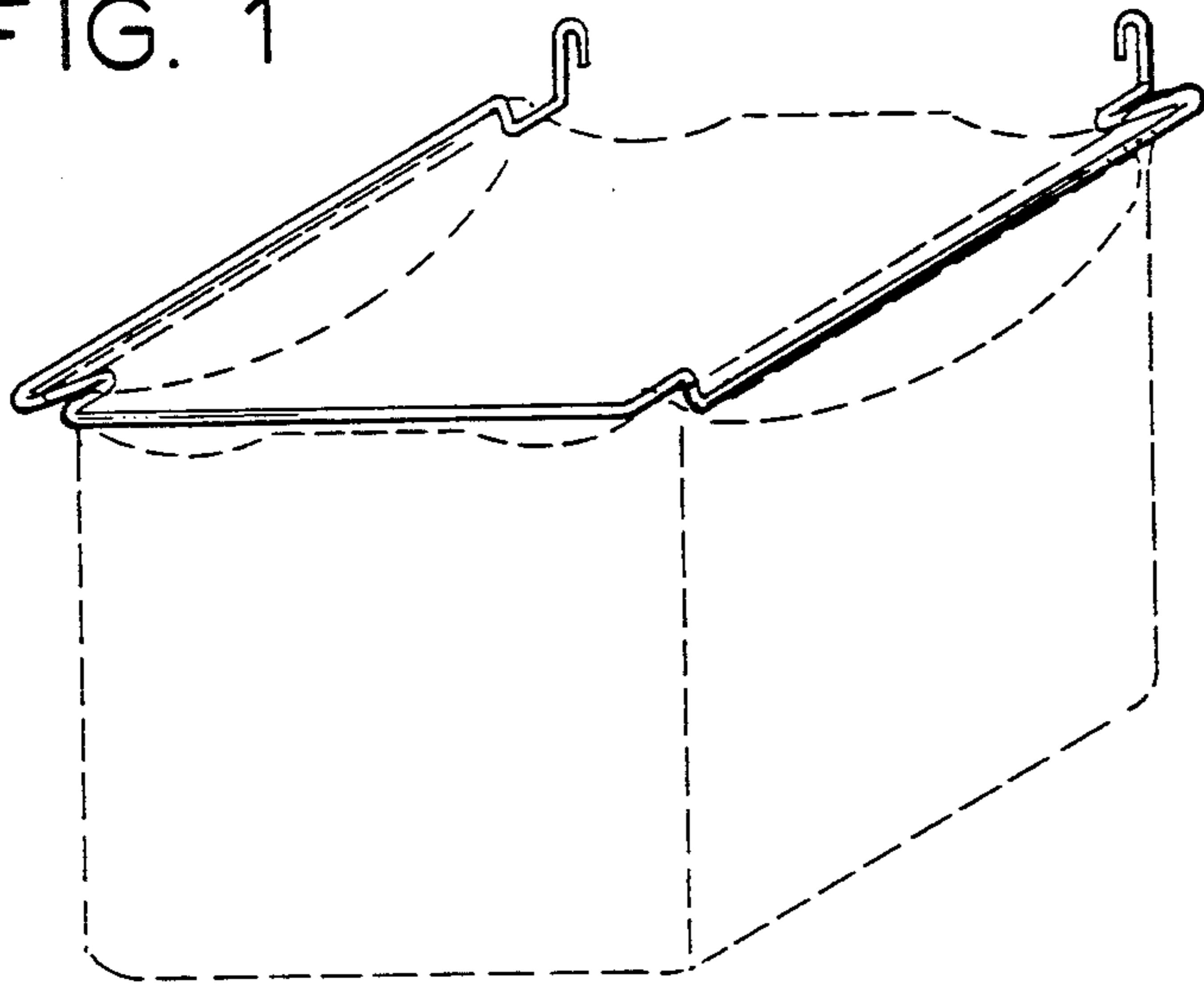


FIG. 2

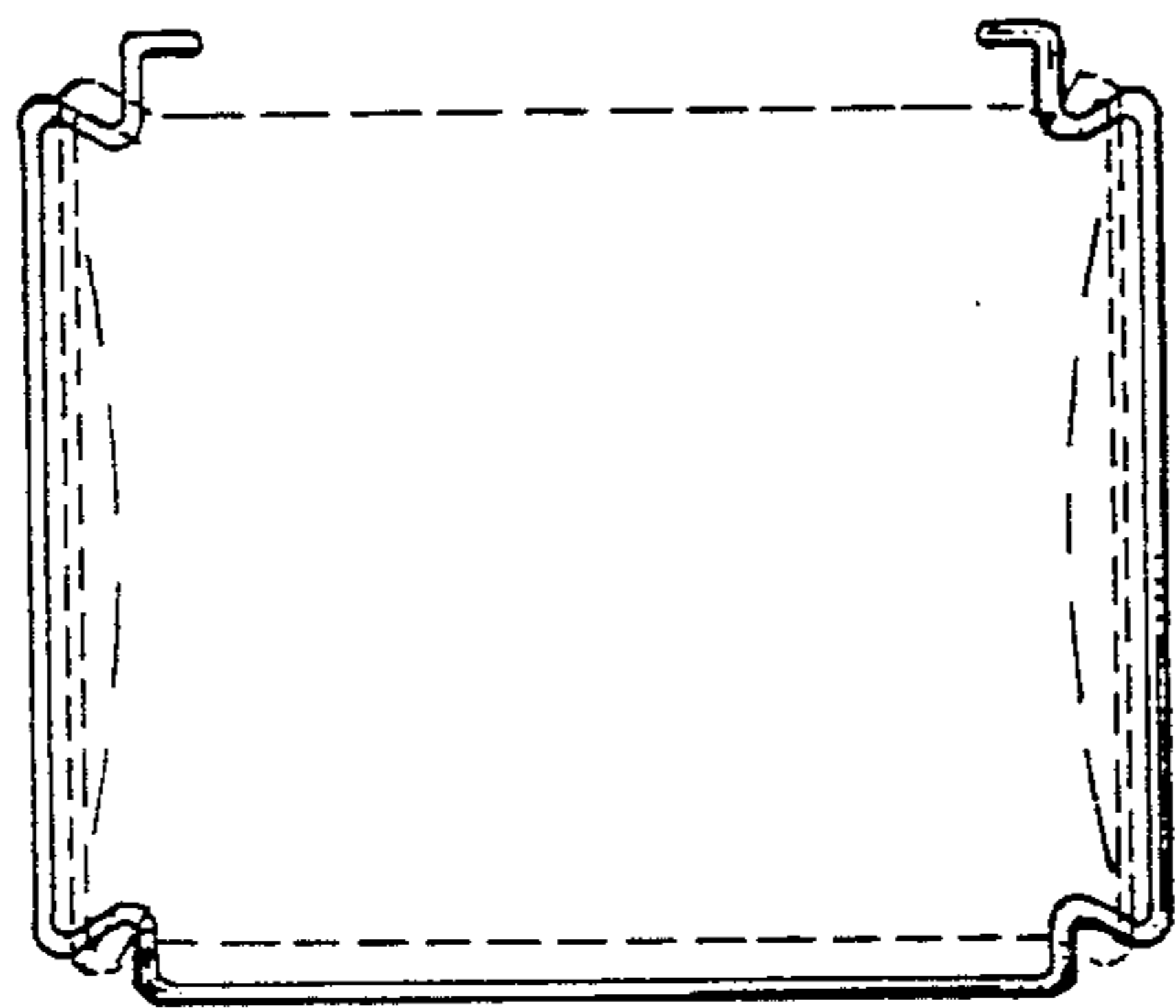
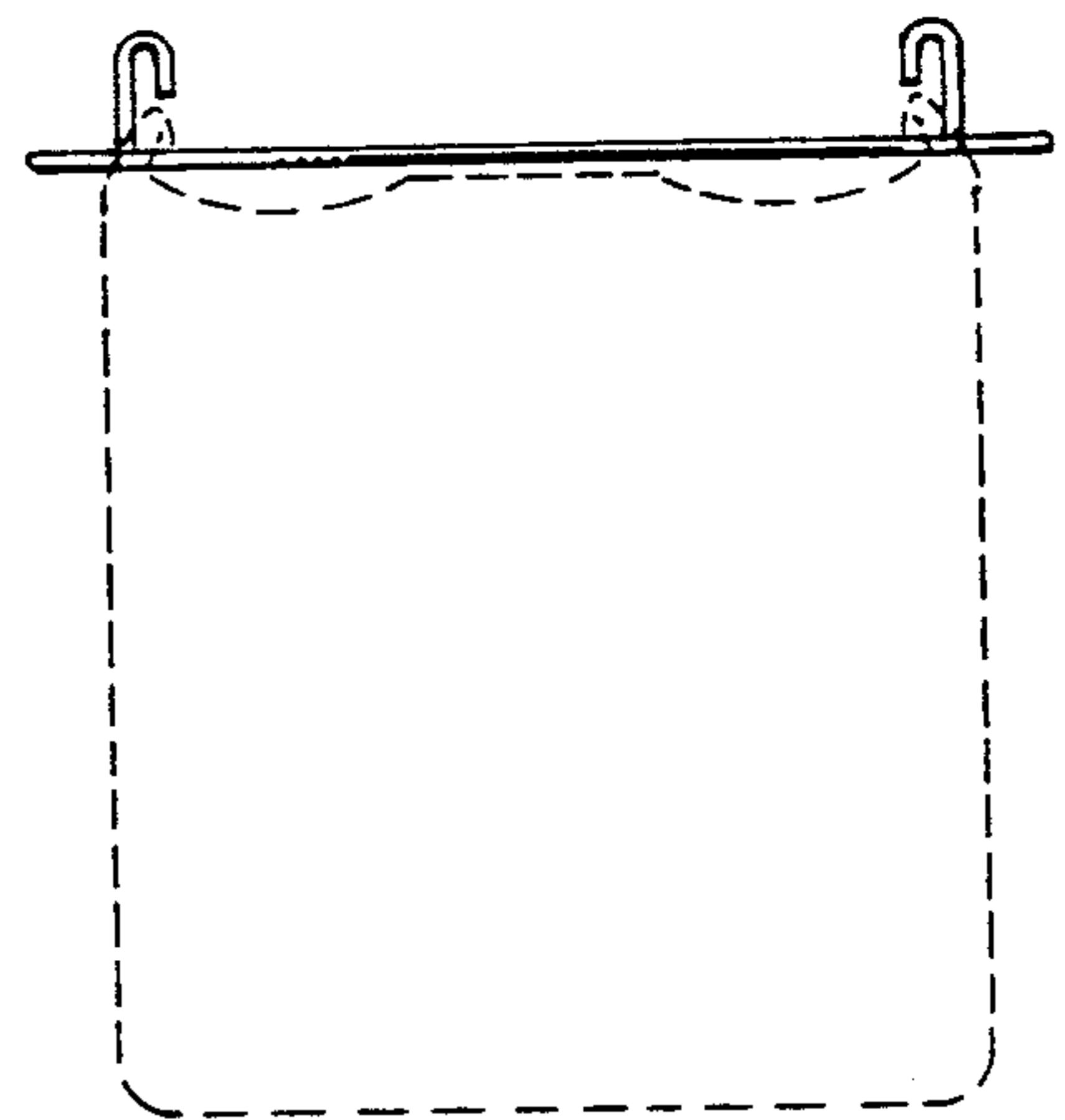


FIG. 4

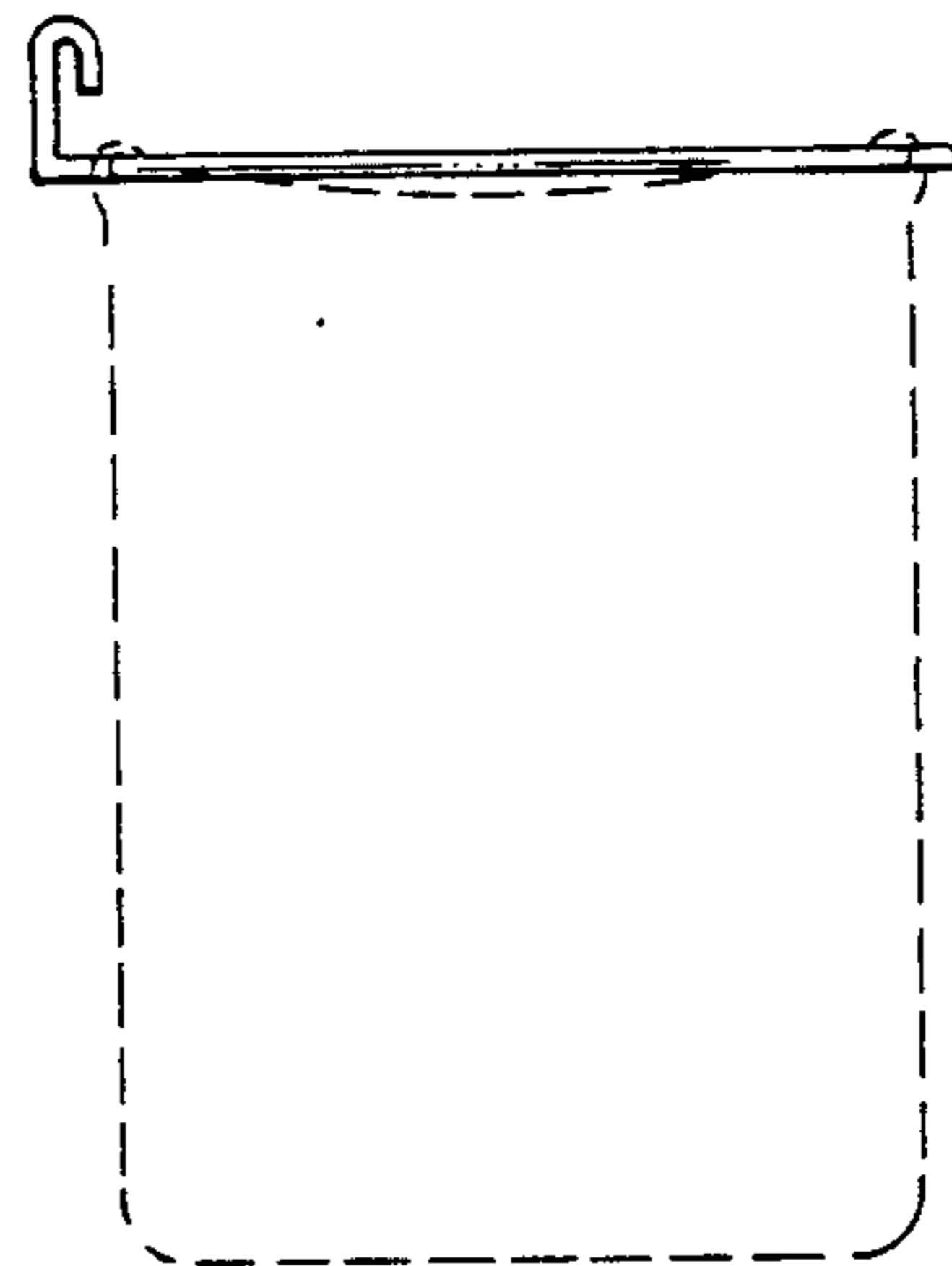


FIG. 3

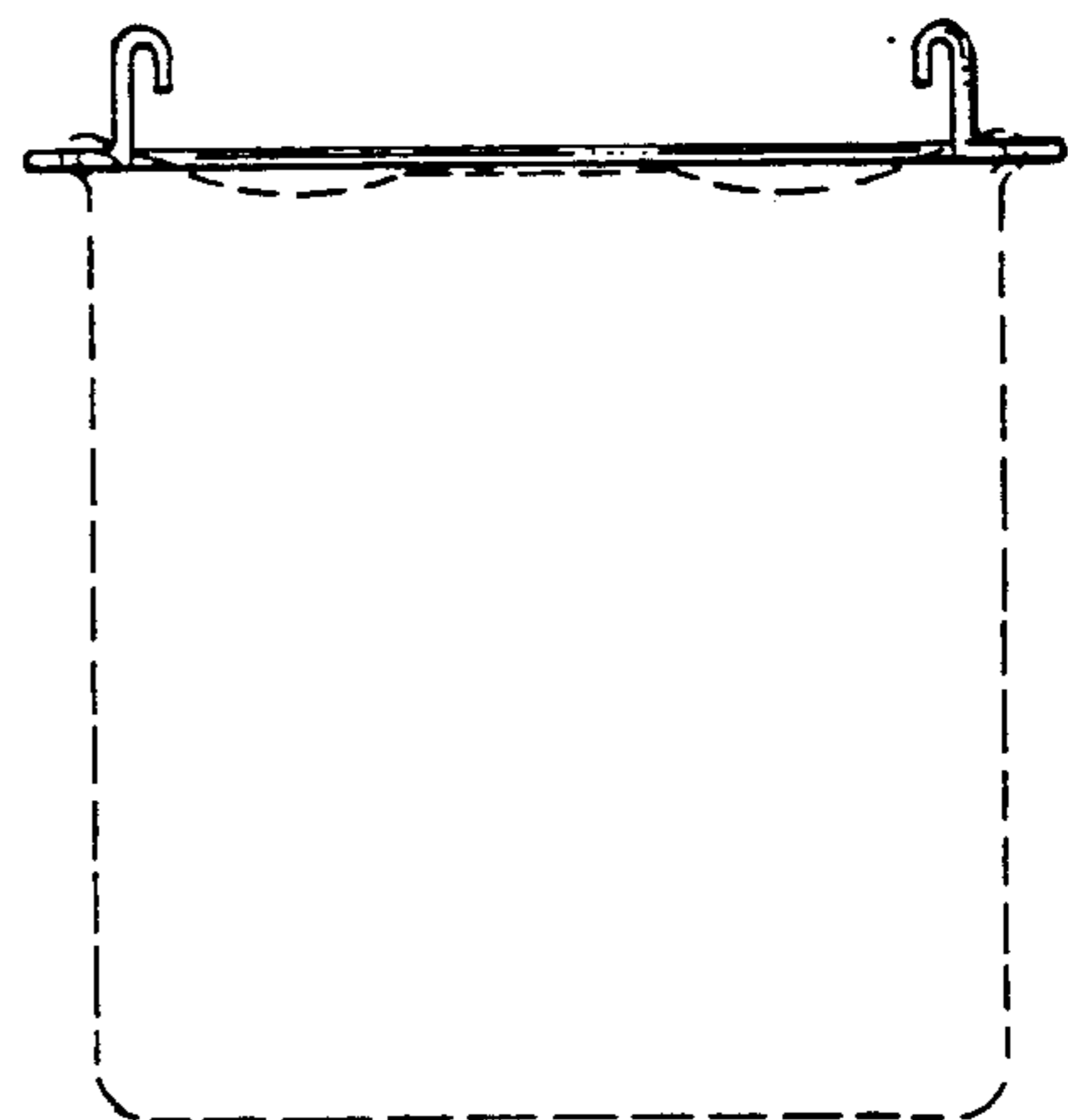
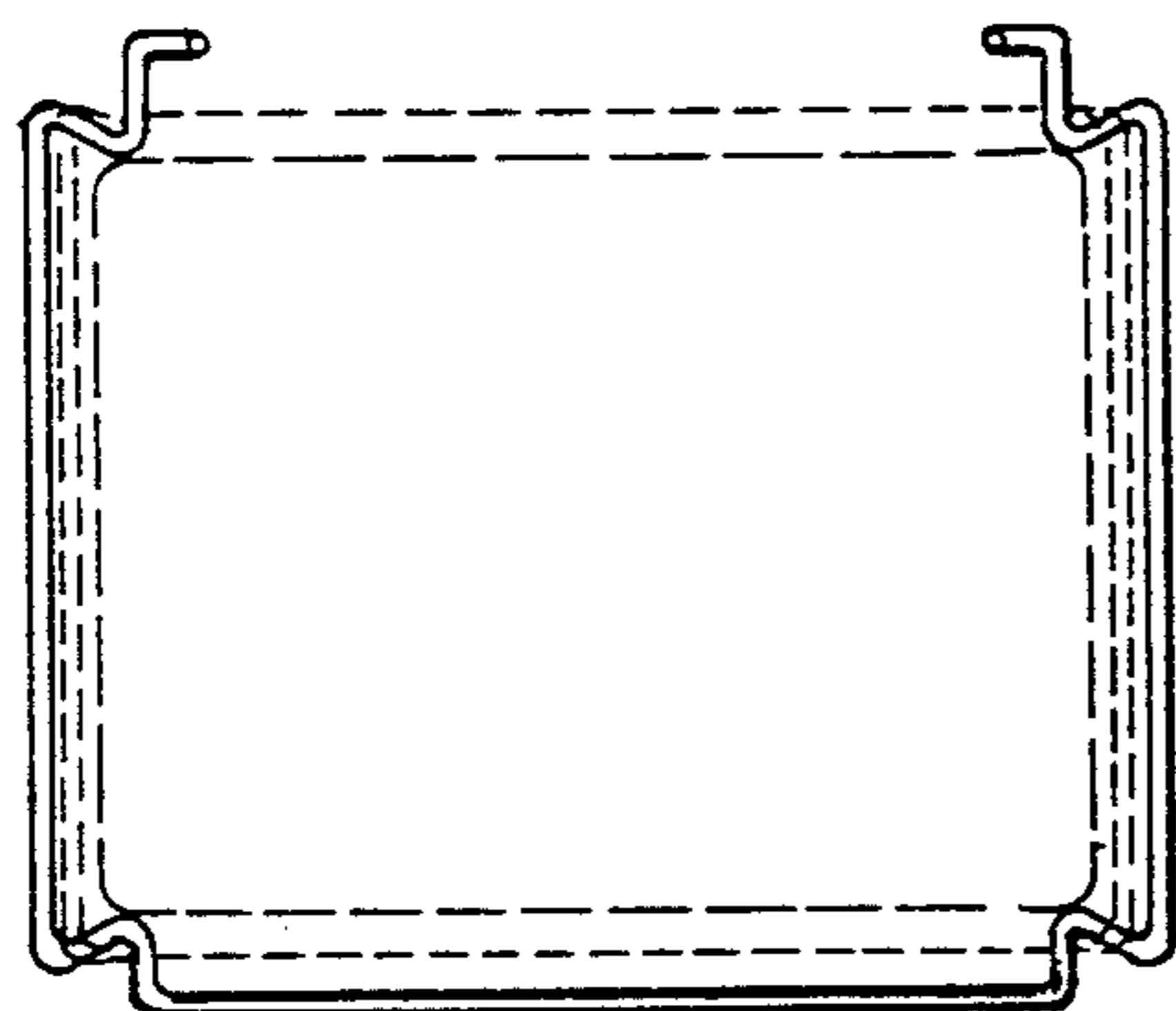


FIG. 5

FIG. 6