



US00D327598S

# United States Patent [19]

[11] Patent Number: **Des. 327,598**

**Emery**

[45] Date of Patent: **\*\* Jul. 7, 1992**

[54] TOWEL HOLDER

D. 312,935 12/1990 Chap et al. .... D6/549  
2,315,566 4/1943 Watral et al. .... 211/105.1 X

[75] Inventor: **William W. Emery, Berkeley Heights, N.J.**

### OTHER PUBLICATIONS

[73] Assignee: **Better Sleep Manufacturing Co., Berkeley Heights, N.J.**

Maleck Catalogue (1980) p. 30, Towel Rod #ML1365.  
Baldwin Bath Epic Accessories Catalogue (Aug. 87) p. 13 Towel Bar #3422-030.

[\*\*] Term: **14 Years**

*Primary Examiner*—Brian N. Vinson  
*Attorney, Agent, or Firm*—Hopgood, Calimafde

[21] Appl. No.: **588,110**

[22] Filed: **Sep. 24, 1990**

### [57] CLAIM

[52] U.S. Cl. .... **D6/549; D6/546; D6/522**

The ornamental design for a towel holder, as shown and described.

[58] Field of Search ..... **D6/546-550, D6/518-523; 211/13, 16, 86-88, 105.1; 108/123, 29, 59, 152; 312/37**

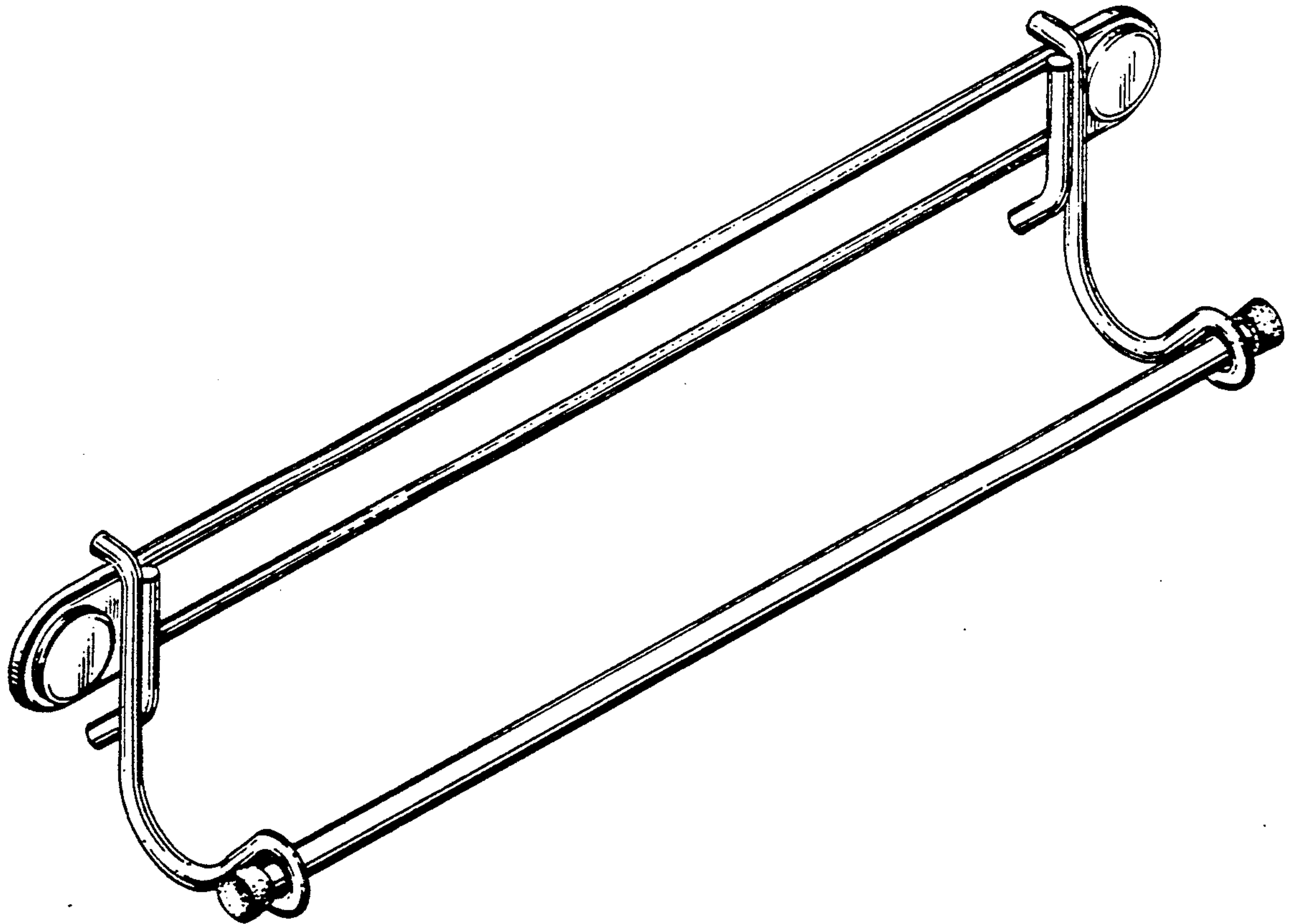
### DESCRIPTION

### [56] References Cited

#### U.S. PATENT DOCUMENTS

D. 259,753 7/1981 Fleischmann et al. .... D6/549  
D. 267,840 2/1983 Cohen ..... D6/549  
D. 296,964 8/1988 Jans ..... D6/548  
D. 301,955 7/1989 Joss et al. .... D6/549 X

FIG. 1 is a top, front, and left side perspective view of a towel holder showing my new design;  
FIG. 2 is an enlarged top plan view thereof;  
FIG. 3 is an enlarged front elevational view thereof;  
FIG. 4 is an enlarged left side elevational view thereof, the right side being a mirror image of that shown;  
FIG. 5 is an enlarged rear elevational view thereof; and,  
FIG. 6 is an enlarged bottom plan view thereof.



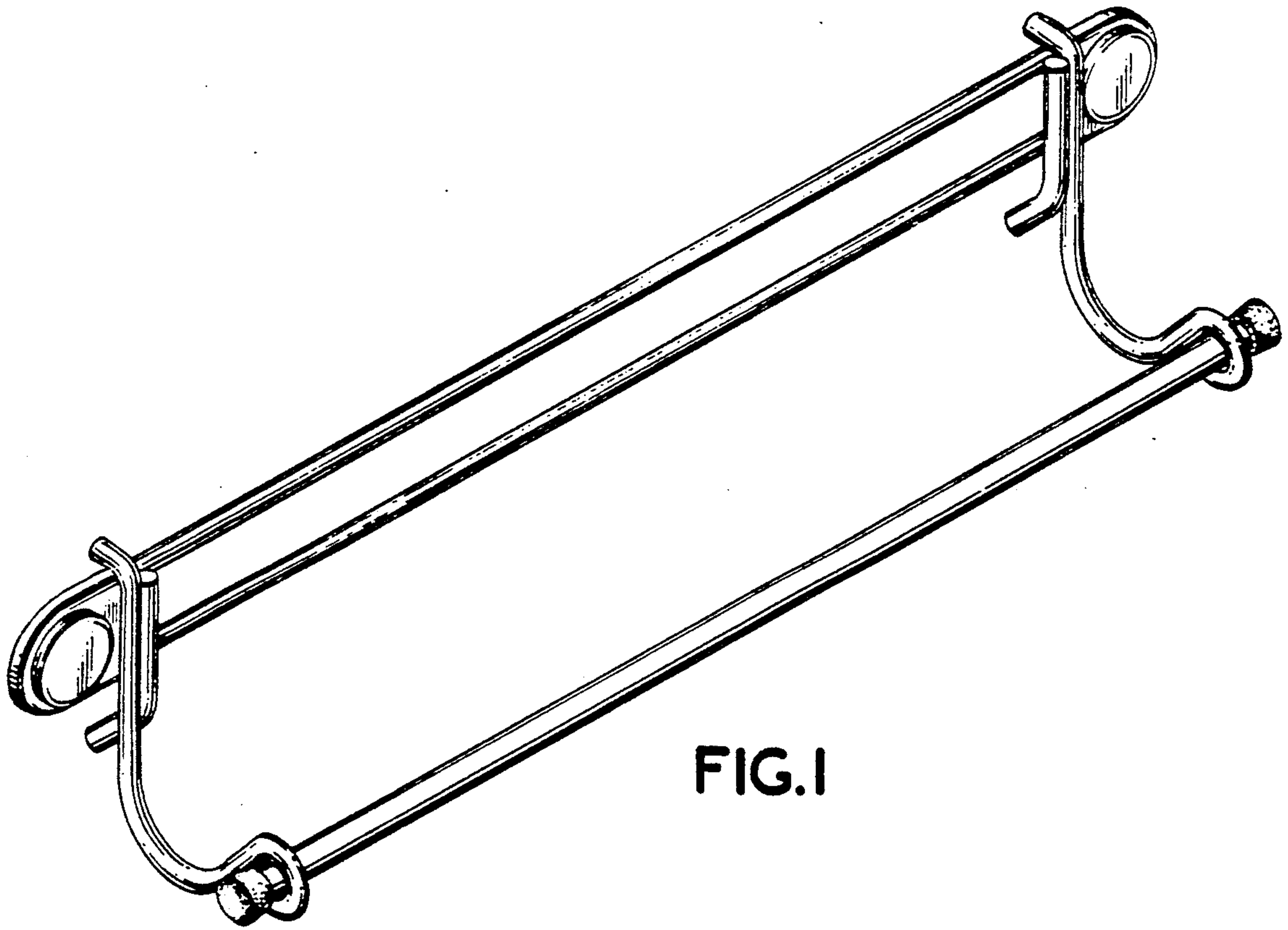


FIG. 1

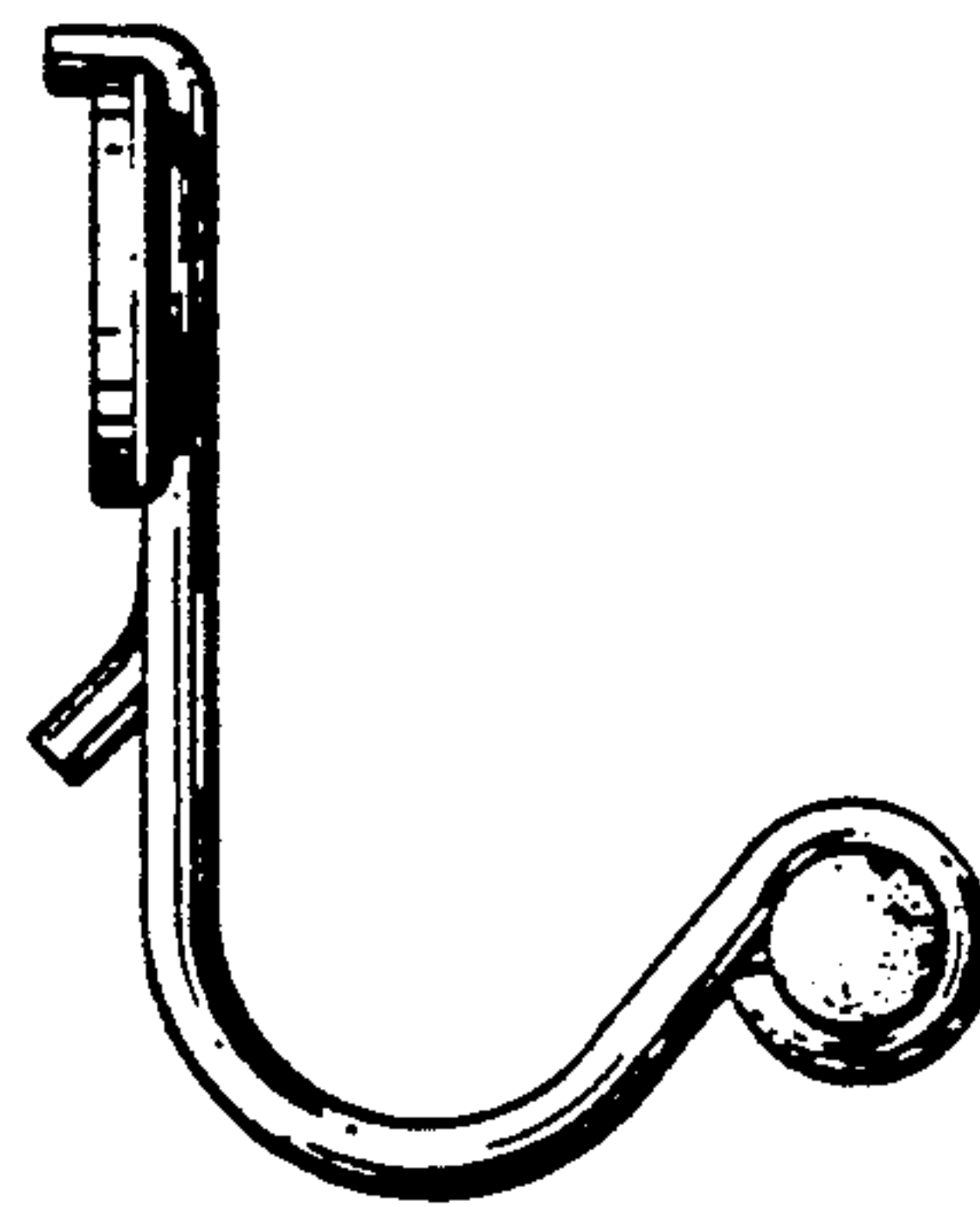


FIG. 4

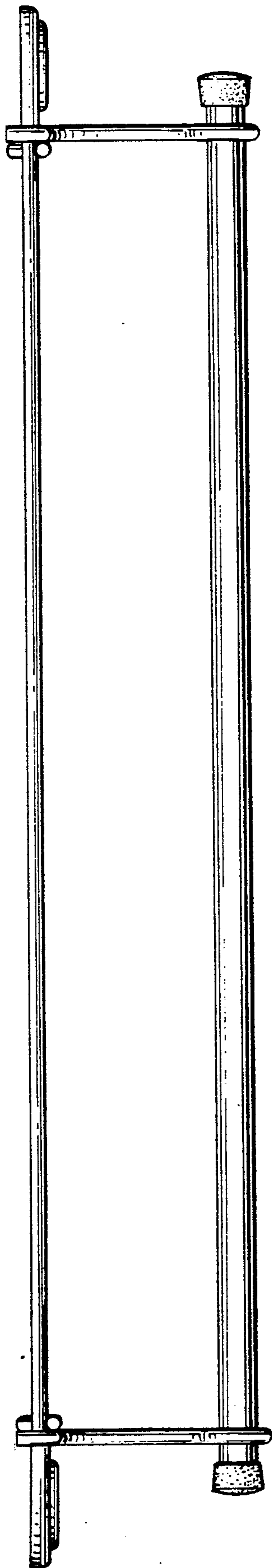


FIG. 2

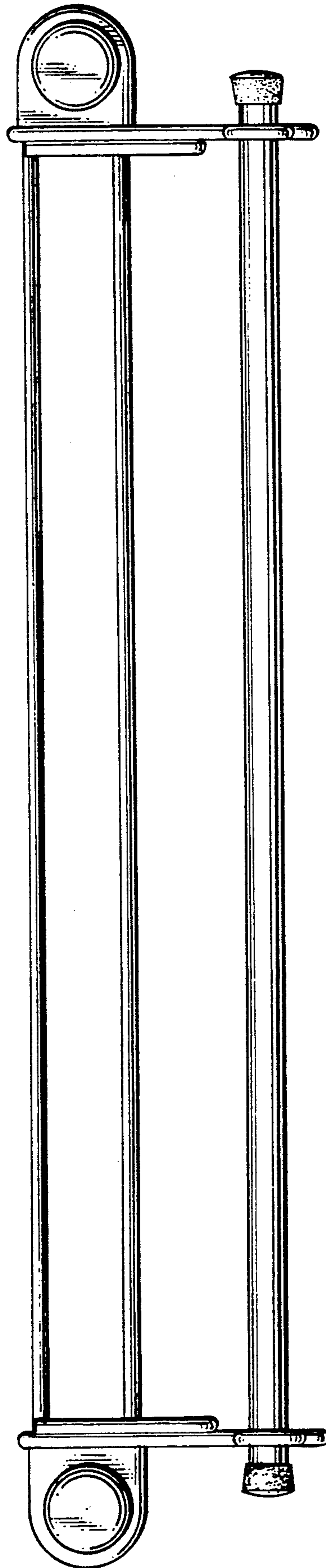


FIG. 3

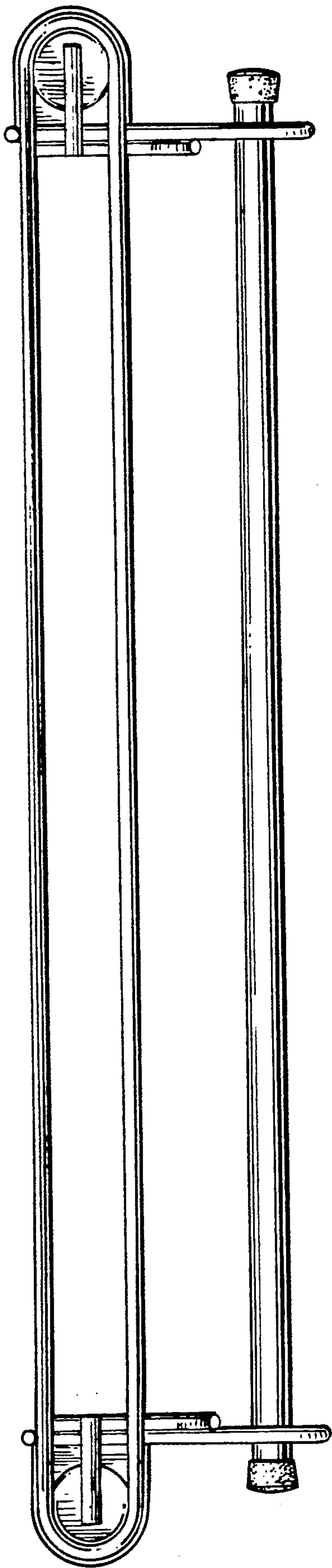


FIG. 5

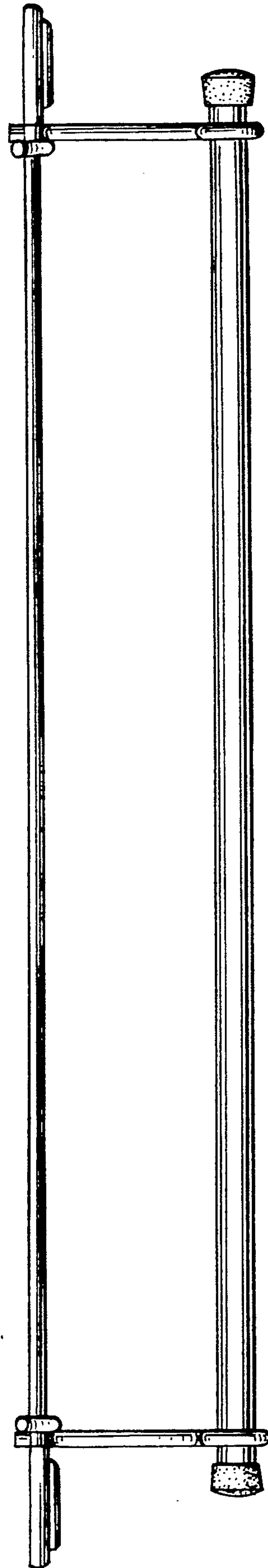


FIG. 6