



US00D327591S

**United States Patent** [19]  
**Gogan**

[11] **Patent Number: Des. 327,591**

[45] **Date of Patent: \*\* Jul. 7, 1992**

[54] **CABINET FOR DISPLAYING FOOD**

[75] **Inventor: James M. Gogan, Lakewood, N.J.**

[73] **Assignee: Savory Equipment, Inc., Lakewood, N.J.**

[\*\*] **Term: 14 Years**

[21] **Appl. No.: 400,751**

[22] **Filed: Aug. 30, 1989**

[52] **U.S. Cl. .... D6/470**

[58] **Field of Search ..... D6/449, 455-461,  
D6/466, 470-472, 475, 476; 312/114, 116,  
138.1, 194, 224, 225**

[56] **References Cited**

**U.S. PATENT DOCUMENTS**

D. 153,321	4/1949	Ressinger .....	D6/470
D. 255,407	6/1980	Brittner .....	D6/470
3,544,181	12/1970	Schottland .....	312/114
4,840,439	6/1989	Nara et al. ....	312/116

**OTHER PUBLICATIONS**

Texwood (Bravo) catalog, charging desks, item TX54CSG.

Advertisement for Hatco Corporation "Holding and Display Cabinet", p. 41, Jan. 1989 (author and publisher unknown).

*Primary Examiner*—Donald P. Walsh

*Assistant Examiner*—Jeffrey Asch

*Attorney, Agent, or Firm*—Howson & Howson

[57] **CLAIM**

The ornamental design for a cabinet for displaying food, as shown and described.

**DESCRIPTION**

FIG. 1 is a perspective view of a cabinet for displaying food showing my new design;

FIG. 2 is a front elevational view thereof;

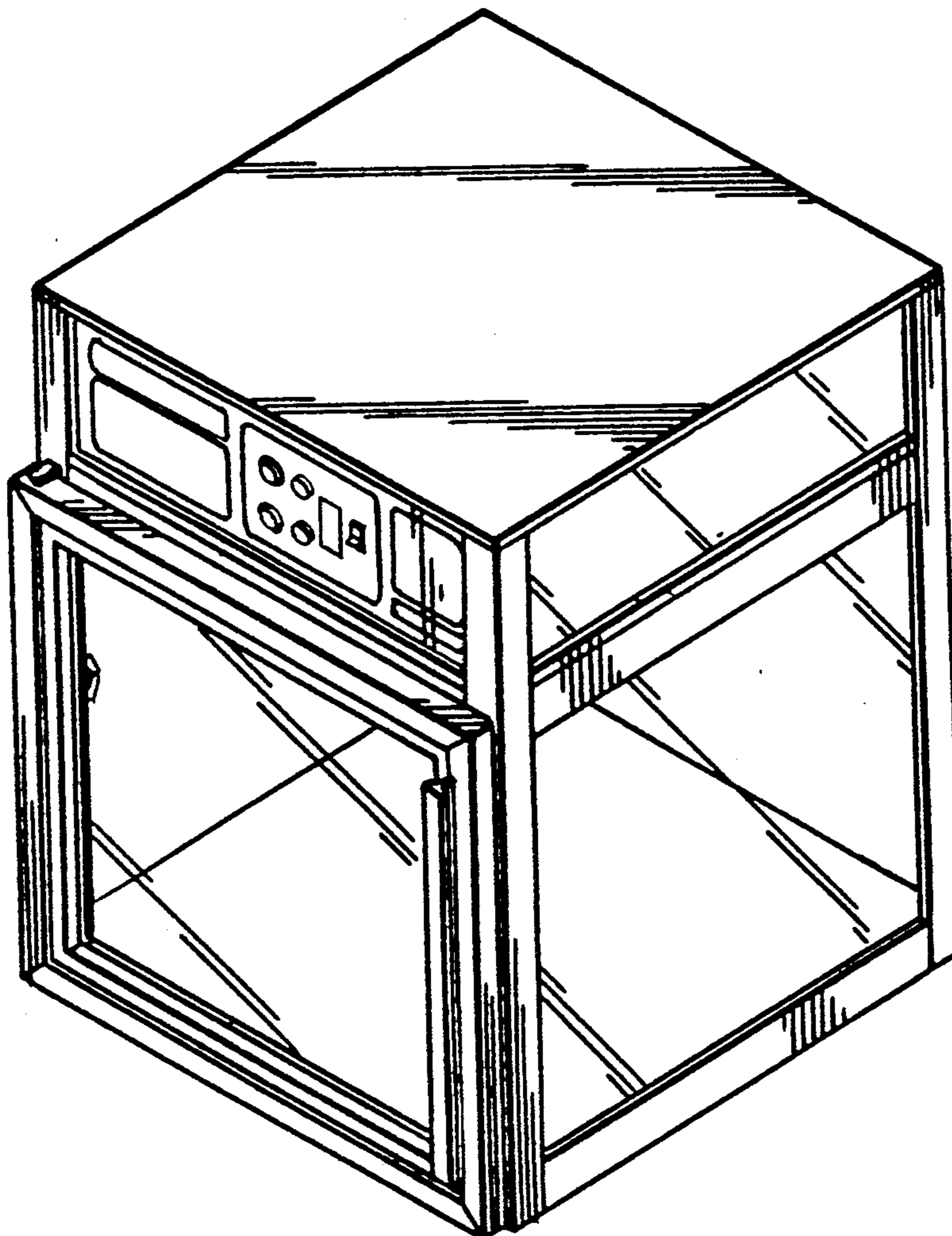
FIG. 3 is a right side elevational view thereof;

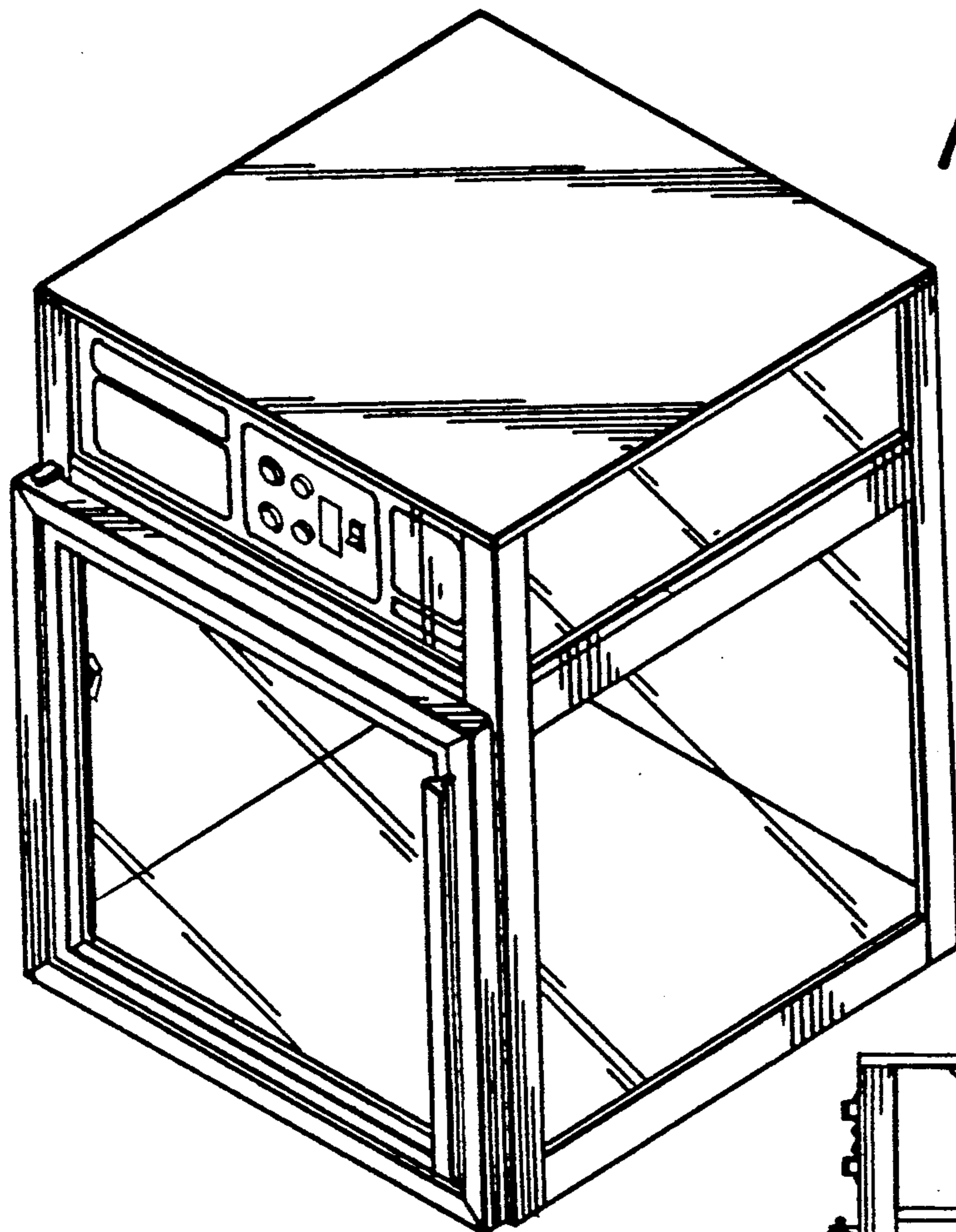
FIG. 4 is a left side elevational view thereof;

FIG. 5 is a rear elevational view thereof;

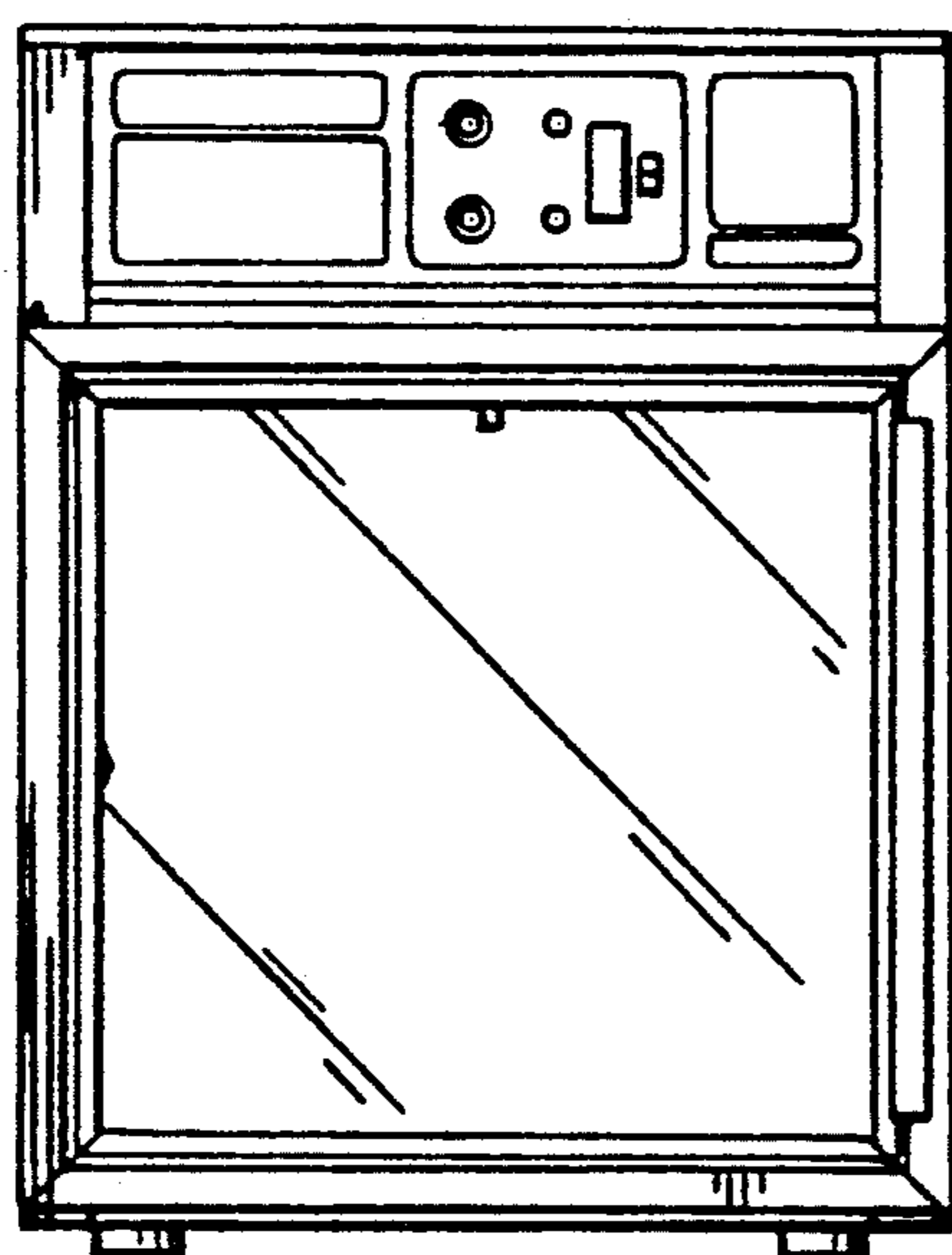
FIG. 6 is a top plan view thereof; and,

FIG. 7 is a bottom plan view thereof.

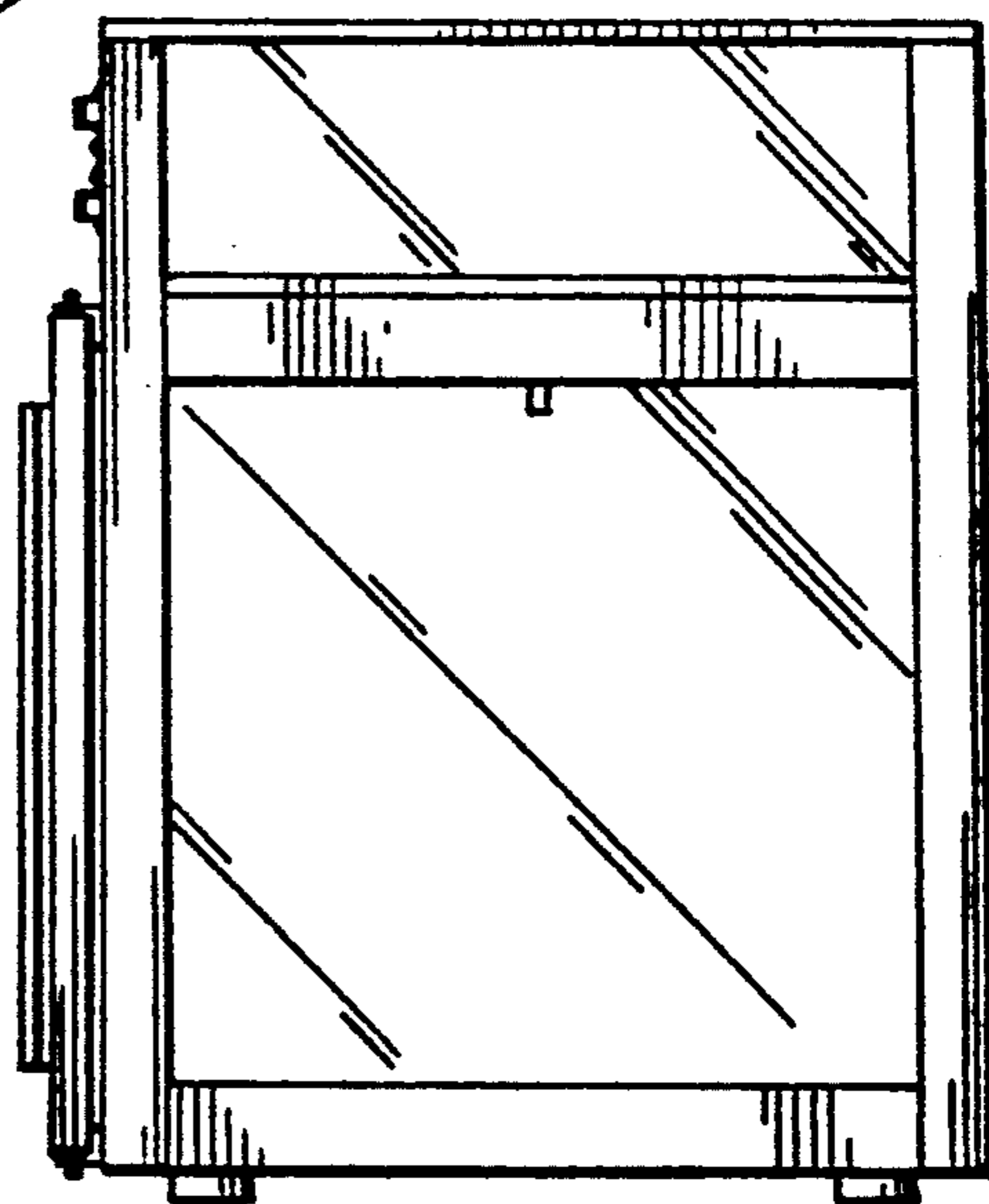




*FIG. 1*

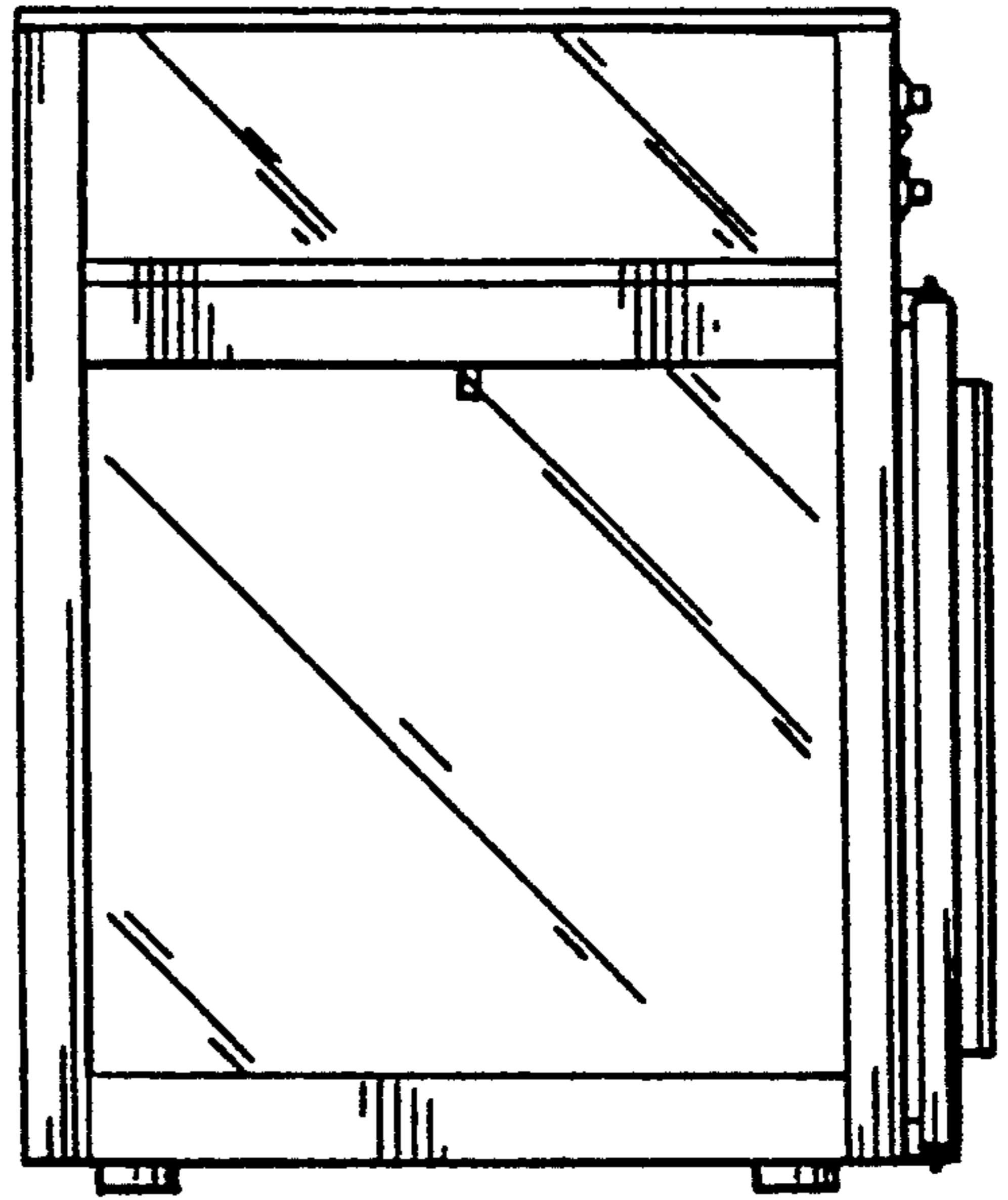


*FIG. 2*

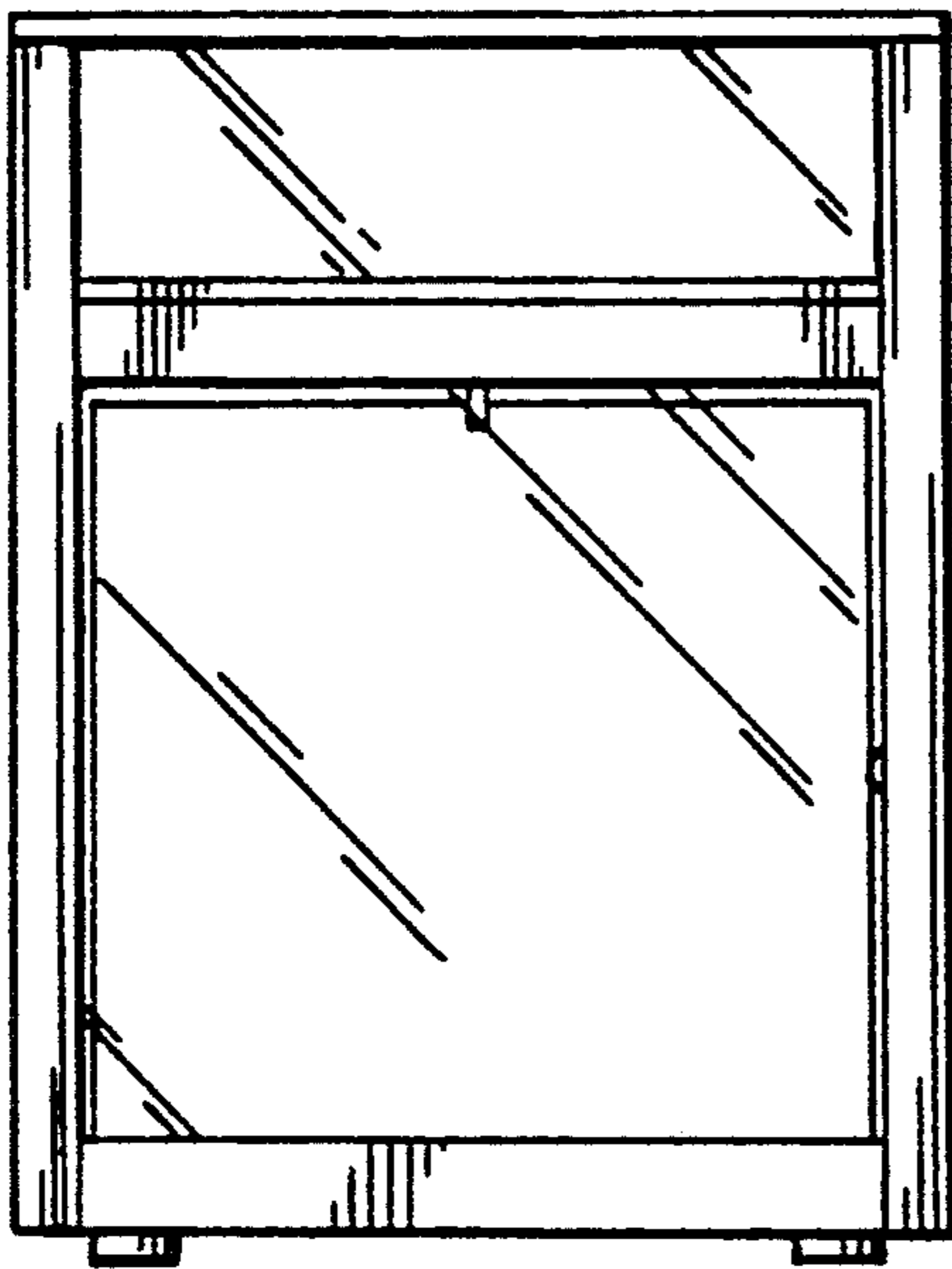


*FIG. 3*

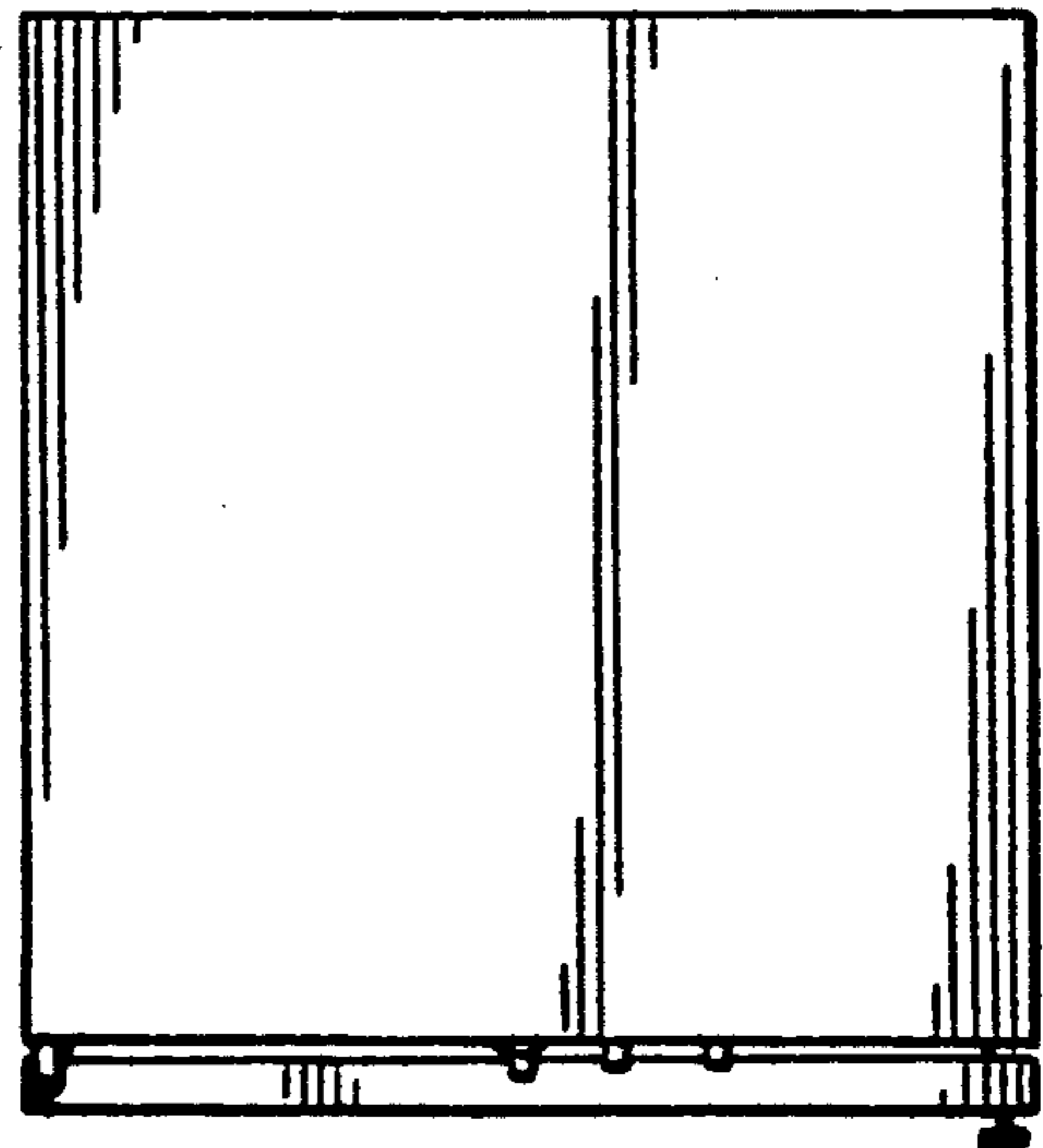
**FIG. 4**



**FIG. 5**



**FIG. 6**



**FIG. 7**

