



US00D327587S

**United States Patent** [19]  
**Piretti**

[11] **Patent Number: Des. 327,587**

[45] **Date of Patent: \*\* Jul. 7, 1992**

[54] **CHAIR**  
[76] **Inventor: Giancarlo Piretti, Piazza Trento e Trieste 2/2, Bologna, Italy**  
[\*\*] **Term: 14 Years**  
[21] **Appl. No.: 365,027**  
[22] **Filed: Jun. 9, 1989**  
[52] **U.S. Cl. .... D6/380; D6/374**  
[58] **Field of Search ..... D6/334, 367, 368, 374, D6/375, 380, 500**

D. 292,149 10/1987 Monesi ..... D6/380  
D. 299,192 1/1989 Chadwick et al. .... D6/380  
D. 300,885 5/1989 Ochsner ..... D6/380  
D. 305,285 1/1990 Piretti ..... D6/380

**OTHER PUBLICATIONS**

Design, Dec. 1977, p. 11, Chair at left.  
*Primary Examiner*—Donald P. Walsh  
*Assistant Examiner*—Gary D. Watson  
*Attorney, Agent, or Firm*—Fuller, Ryan, Hohenfeldt & Kees

**CLAIM**

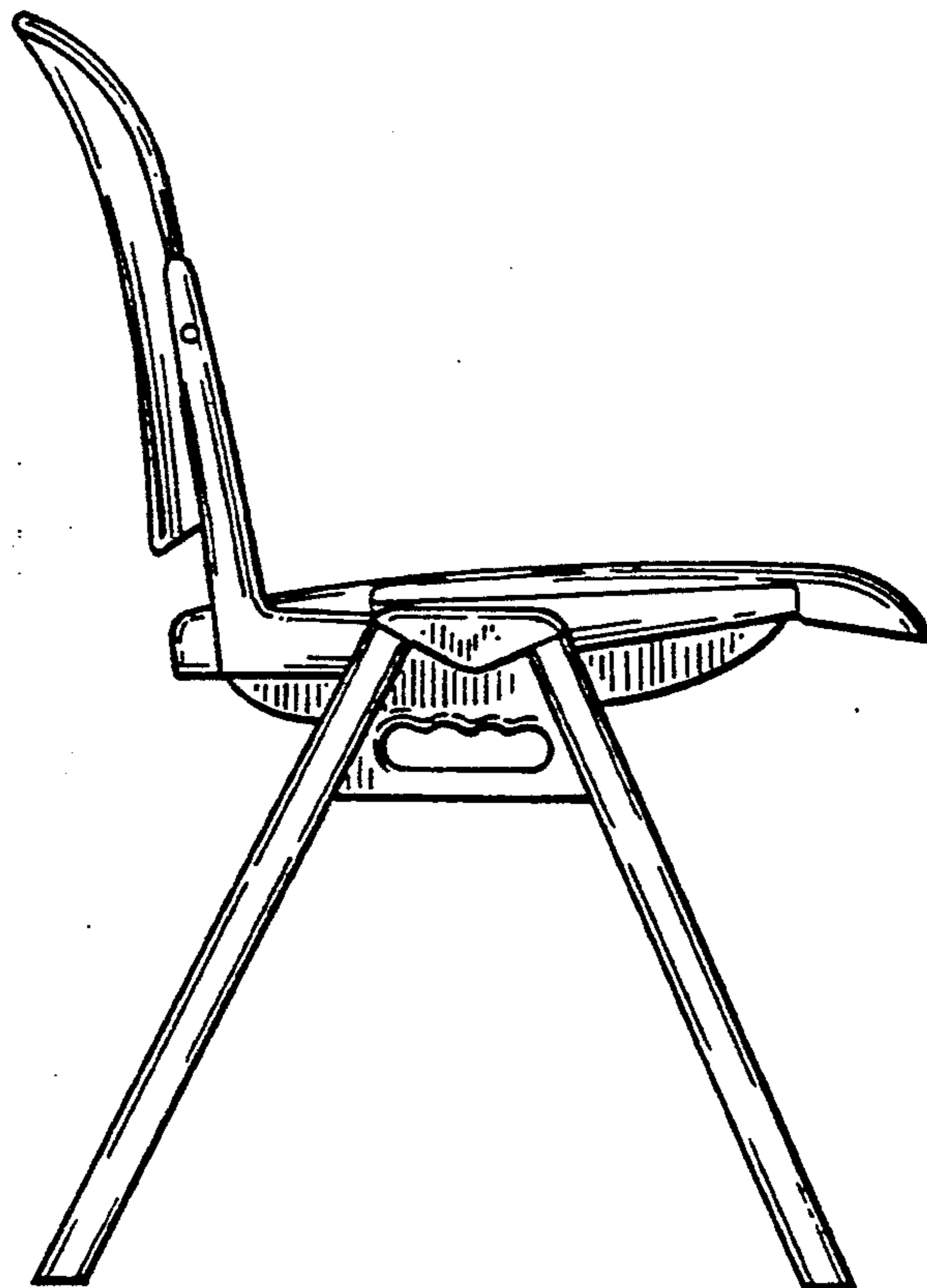
[57] The ornamental design for a chair, as shown and described.

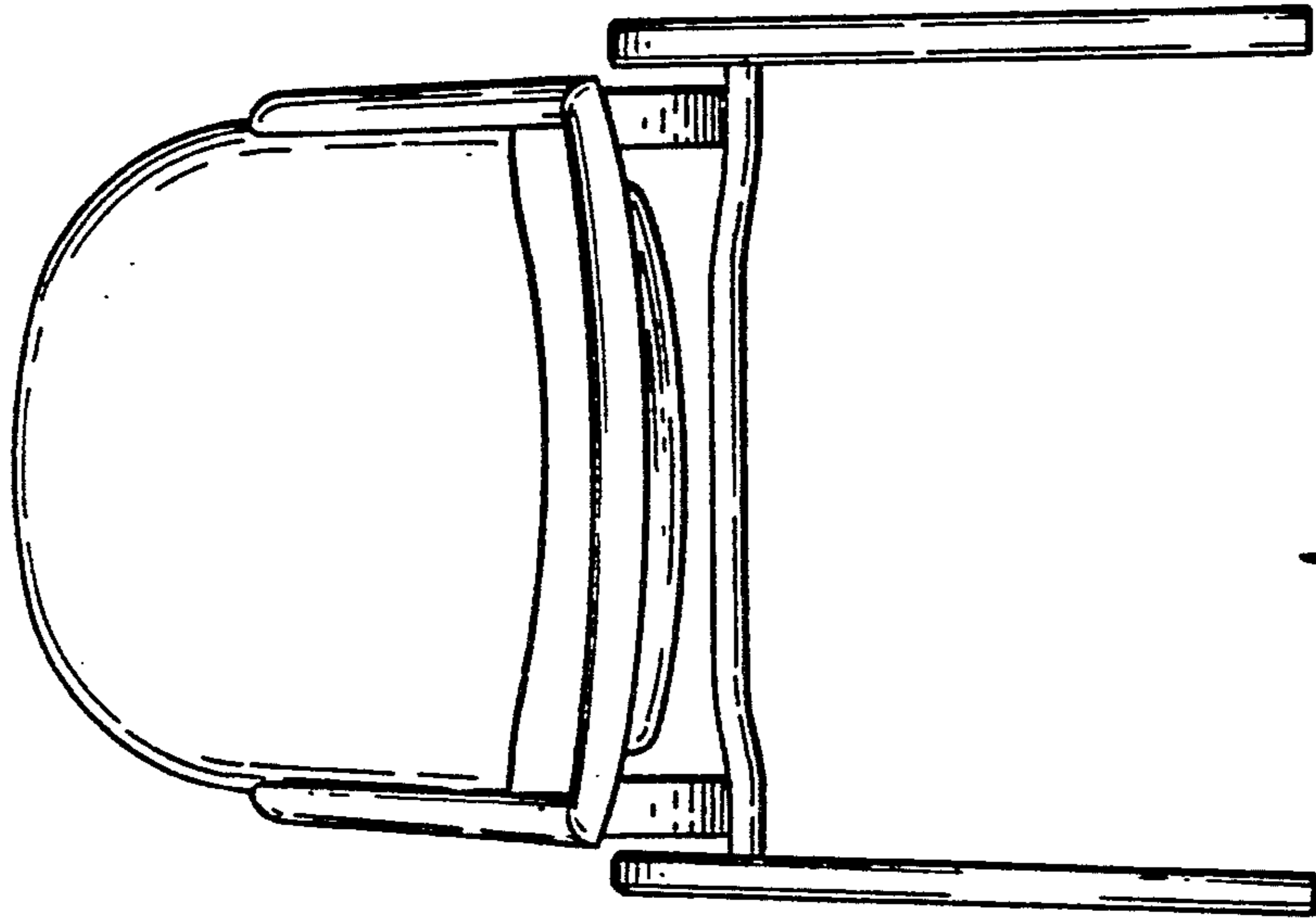
[56] **References Cited**  
**U.S. PATENT DOCUMENTS**

D. 189,347 11/1960 Chapman et al. .... D6/375  
D. 193,340 8/1962 Sundberg et al. .... D6/374  
D. 202,264 9/1965 Albinson ..... D6/374  
D. 209,960 1/1968 Rogers ..... D6/367  
D. 214,315 6/1969 Bartholomew ..... D6/374  
D. 236,670 9/1975 Oyeda ..... D6/375  
D. 249,417 9/1978 Ambasz ..... D6/374  
D. 272,587 2/1984 Pamberg ..... D6/380  
D. 288,265 2/1987 Meyer ..... D6/375

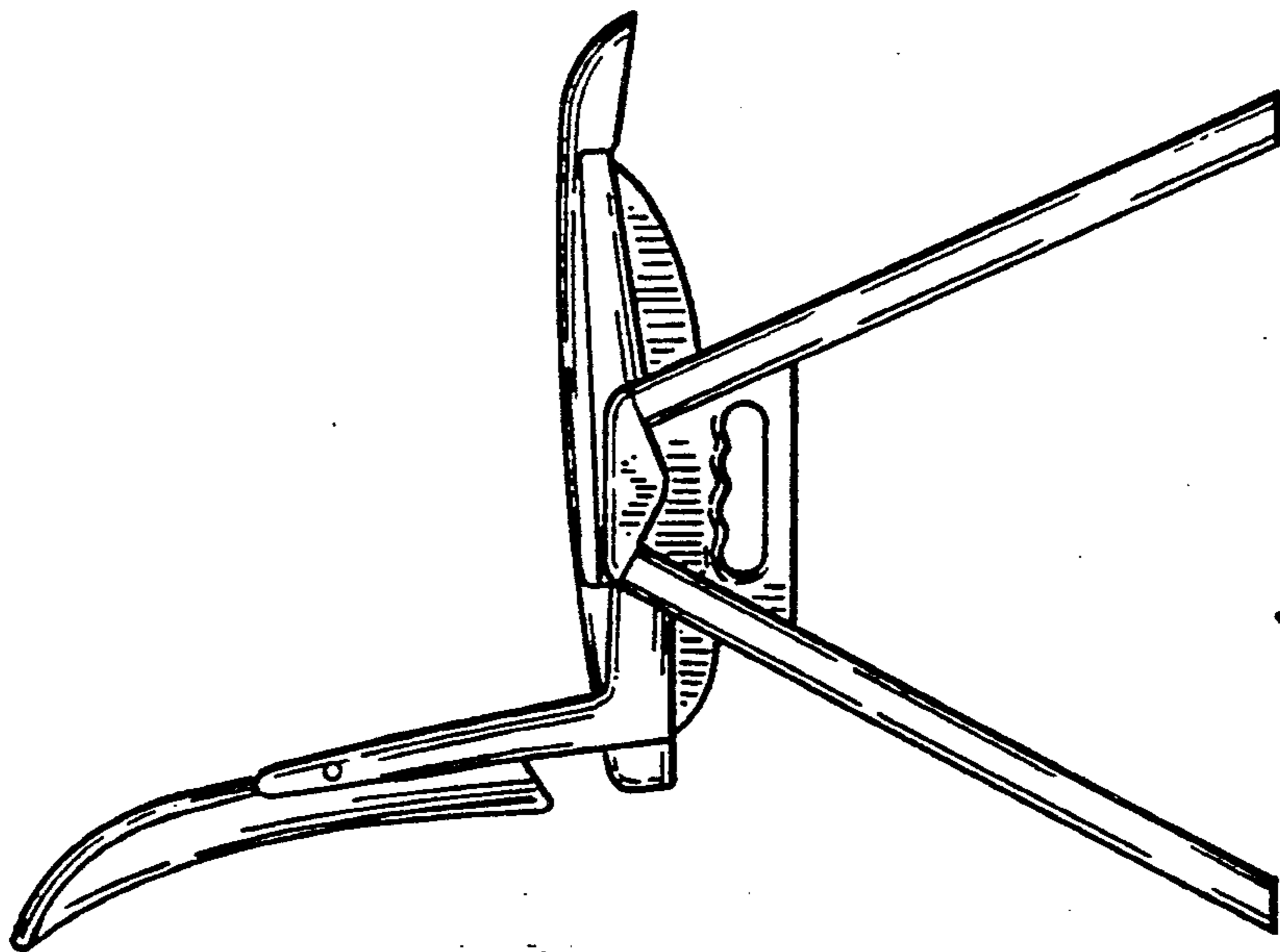
**DESCRIPTION**

FIG. 1 is a left side elevational view of a chair showing my new design, the right side being a mirror image thereof;  
FIG. 2 is a front elevational view;  
FIG. 3 is a rear elevational view;  
FIG. 4 is a top plan view; and,  
FIG. 5 is a bottom plan view thereof.

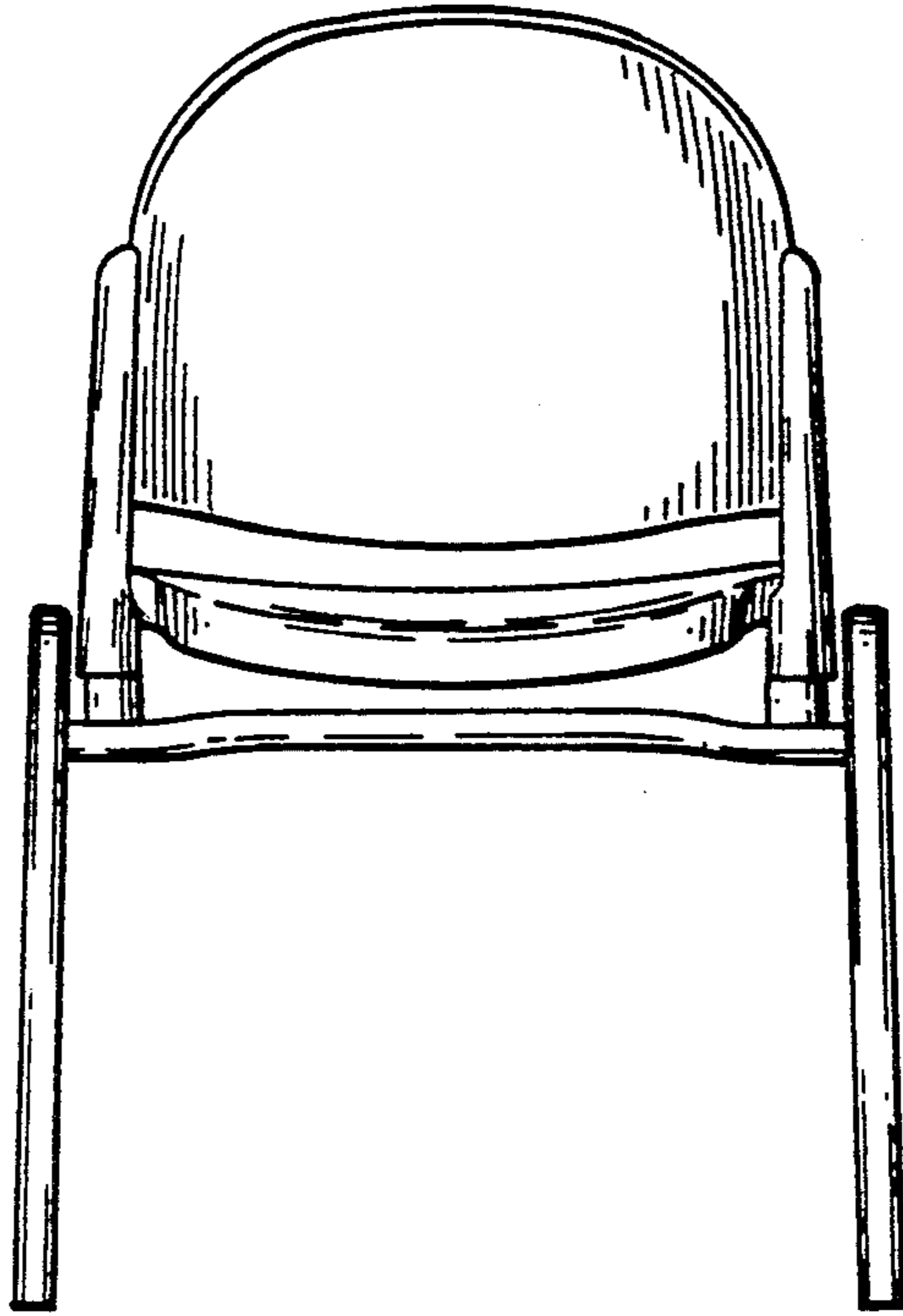




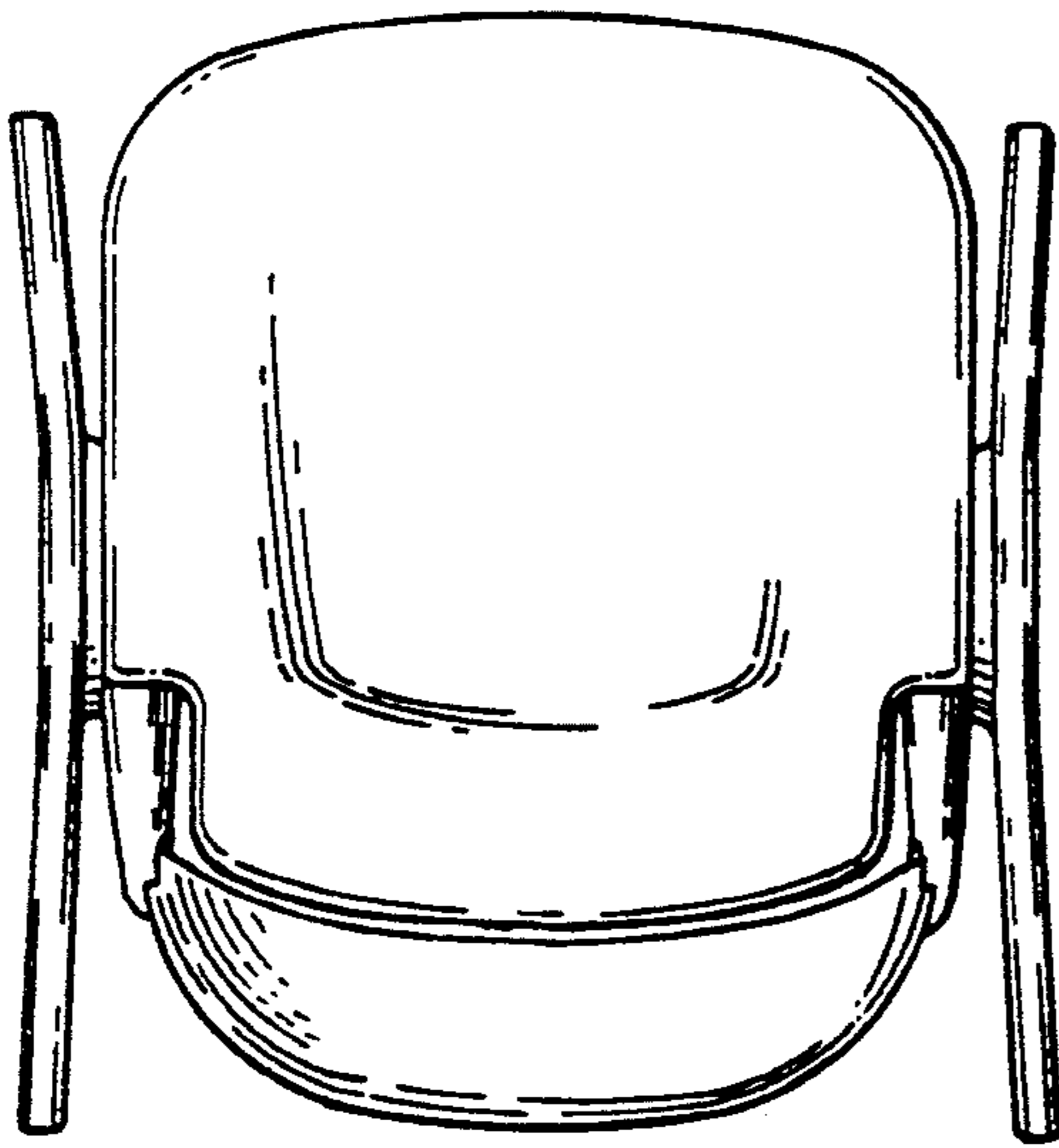
*Fig. 1*



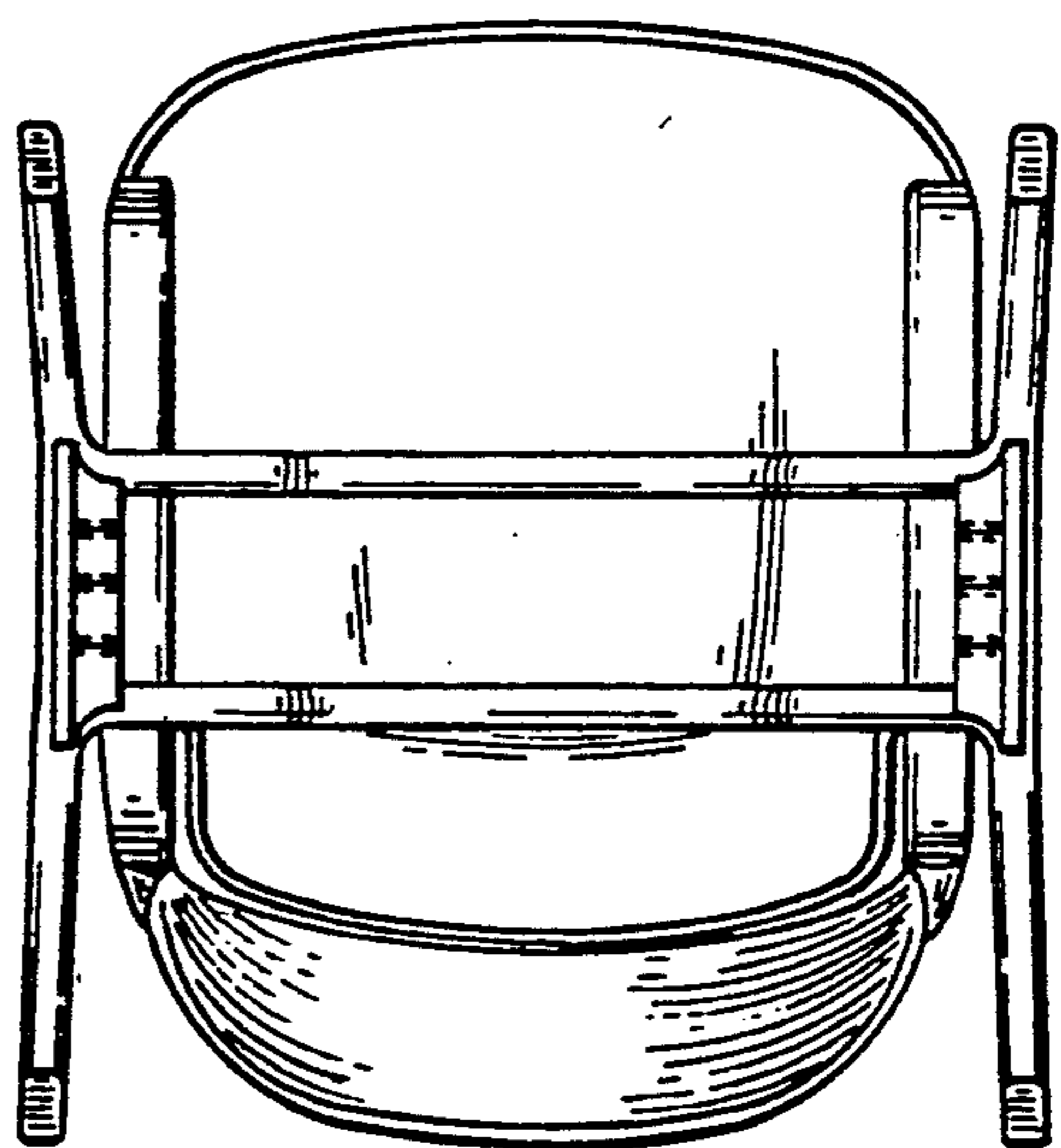
*Fig. 2*



*fig. 3*



*fig. 4*



*fig. 5*