



US00D327560S

**United States Patent** [19]  
**Hradisky**

[11] **Patent Number: Des. 327,560**

[45] **Date of Patent: \*\* Jun. 30, 1992**

[54] **LAUNDRY BASKET**

[75] **Inventor: John L. Hradisky, Medina, Ohio**

[73] **Assignee: Rubbermaid Incorporated, Wooster, Ohio**

[\*\*] **Term: 14 Years**

[21] **Appl. No.: 623,048**

[22] **Filed: Dec. 6, 1990**

[52] **U.S. Cl. .... D34/42**

[58] **Field of Search .... D34/40-46;  
D9/424, 425, 431; 206/504, 507, 510, 503;  
211/126**

[56] **References Cited**

**U.S. PATENT DOCUMENTS**

D. 199,096	9/1964	Barnett et al. ....	D34/43
D. 233,207	10/1974	Molzen .	
D. 272,576	2/1984	Klein .....	D34/40
D. 276,025	10/1984	Hexamer .....	D9/425
D. 277,993	3/1985	Sinchok .	
D. 279,278	6/1985	Pink .....	D34/42 X
2,994,457	8/1961	Fornas .....	206/507
3,113,680	12/1963	Frater et al. .	
4,015,713	4/1977	Cupson et al. ....	211/126 X
4,416,374	11/1983	Smith et al. .	
4,760,921	8/1988	Licari .	

**OTHER PUBLICATIONS**

B. A. Pargh Co. Inc. Cat 1988, p. 84 Item #16853 ELD.  
HFD Cat, Aug. 1989, p. 87, Top Right of the page.  
Arrow Star Discount Incorporated, 674 William St.,  
Lynbrook, NY 11563, catalog pp. 70-72; 75; date un-  
known.

Curver B. V., P.O. Box 6810, 4802 HV, Breda, Holland,  
catalog pp. 8 and 9, 1988.

Frem Corporation, 60 Webster Place, Worcester, MA  
01603-0004; 1 advertising sheet, date unknown.

IPL Products, Ltd., 348 Park St., Suite 201, North  
Reading, Mass.; 2 sheets advertising, date unknown.

Lodal, Inc., P.O. Box 2315, Kingsford, Mich. 49801; 1  
advertising sheet; date unknown.

Piper Casepro, 12001 Corporate Drive, Dallas, TX  
75228; 2 sheets advertising; date unknown.

Rehrig Pacific Company, 4010 East 26th Street, Los  
Angeles, CA 90023; 5 sheets advertising, dates un-  
known.

Rubbermaid Incorporated, Wooster, Ohio 44691; 1  
advertising sheet; 1988.

Tucker Housewares; 2 advertising sheets; date un-  
known.

*Primary Examiner*—Bernard Ansher

*Assistant Examiner*—Prabhakar Deshmukh

*Attorney, Agent, or Firm*—Renner, Kenner, Greive,  
Bobak, Taylor & Weber

[57] **CLAIM**

The ornamental design for a laundry basket, as shown  
and described.

**DESCRIPTION**

FIG. 1 is a perspective view of a laundry basket show-  
ing my new design;

FIG. 2 is a right side elevational view thereof; the left  
side elevational view being a mirror image thereof;

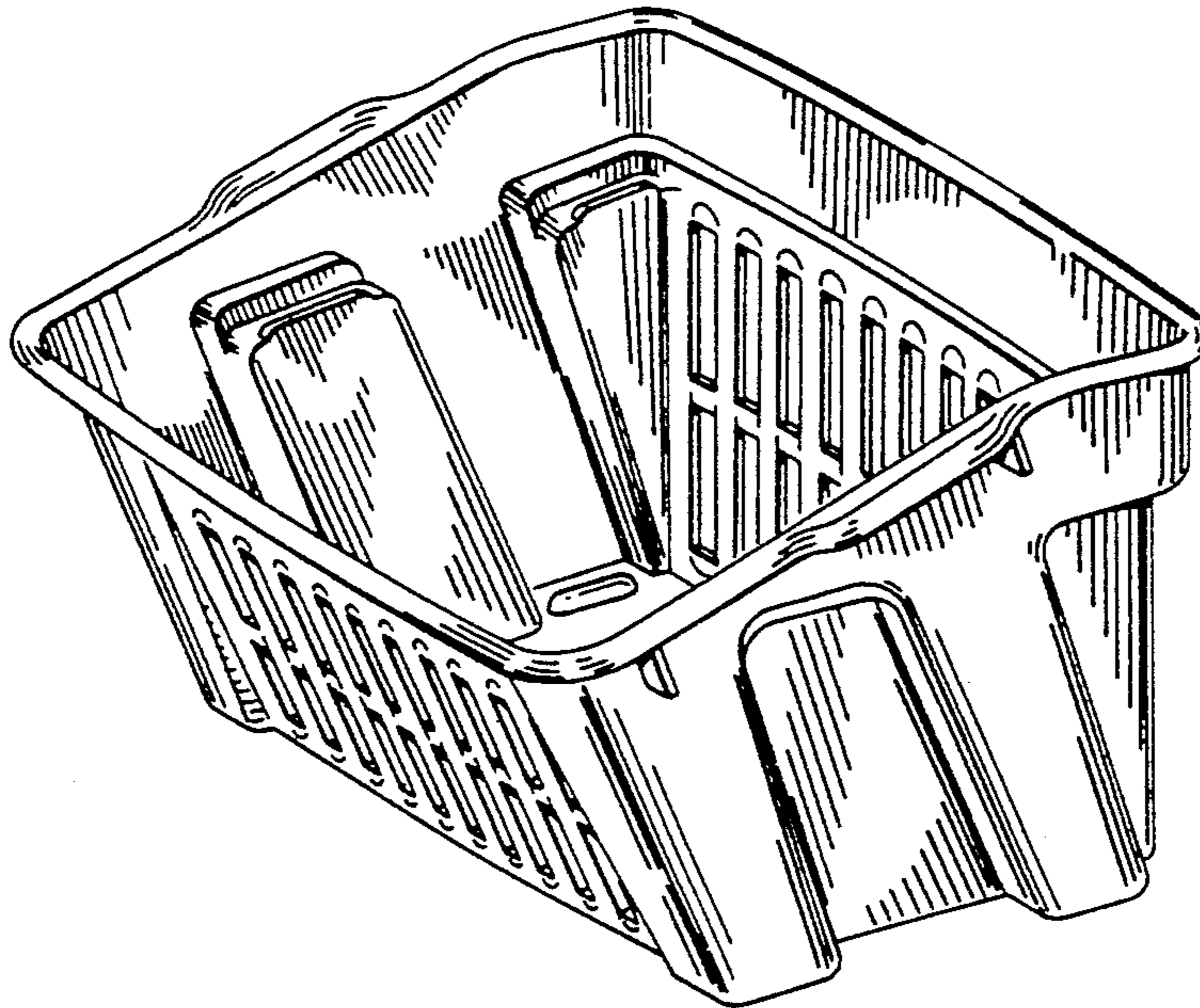
FIG. 3 is a front elevational view thereof;

FIG. 4 is a rear elevational view thereof;

FIG. 5 is a top plan view thereof;

FIG. 6 is a bottom plan view thereof; and,

FIG. 7 is a sectional elevation thereof; taken along line  
7-7 of FIG. 3.



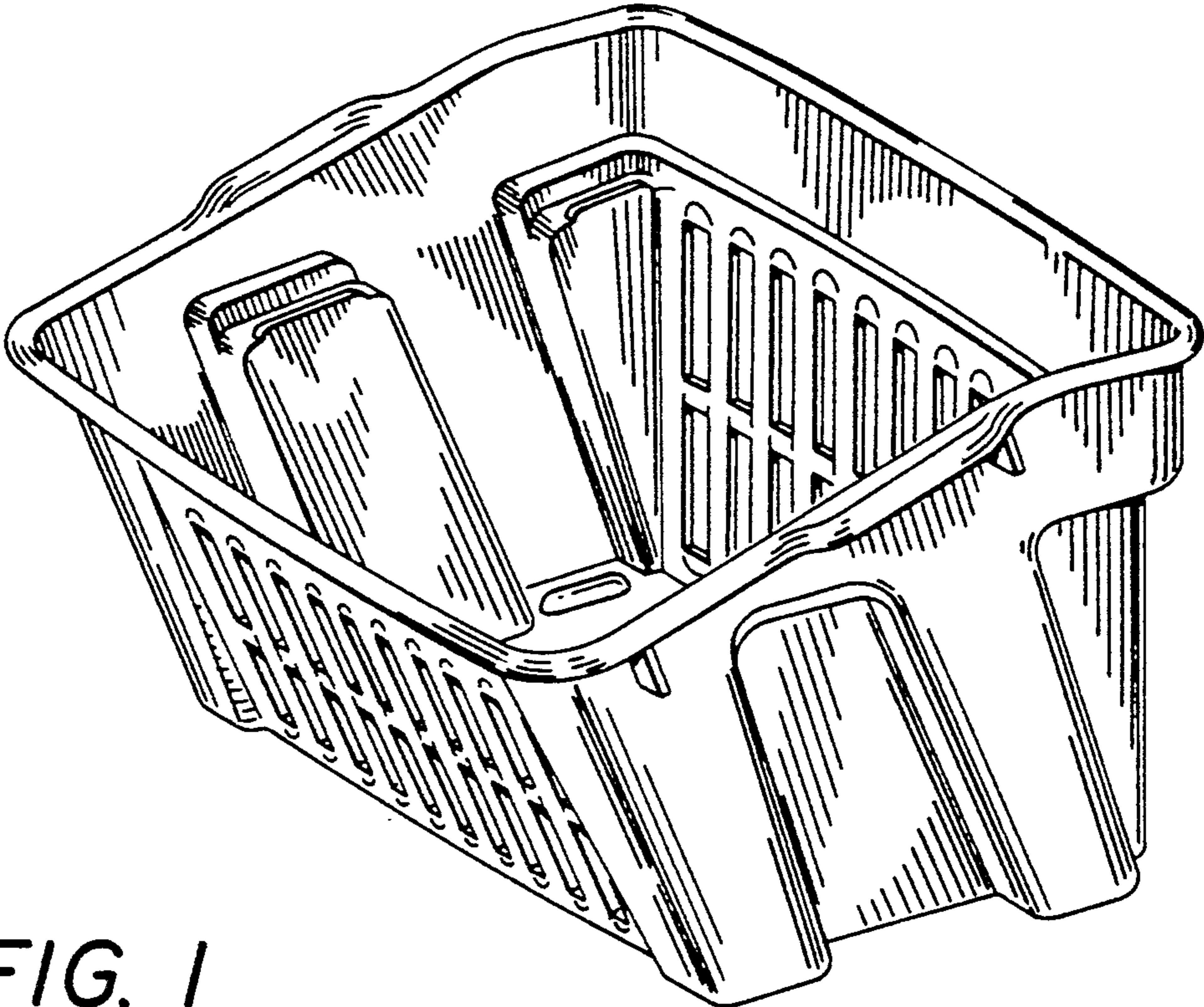


FIG. 1

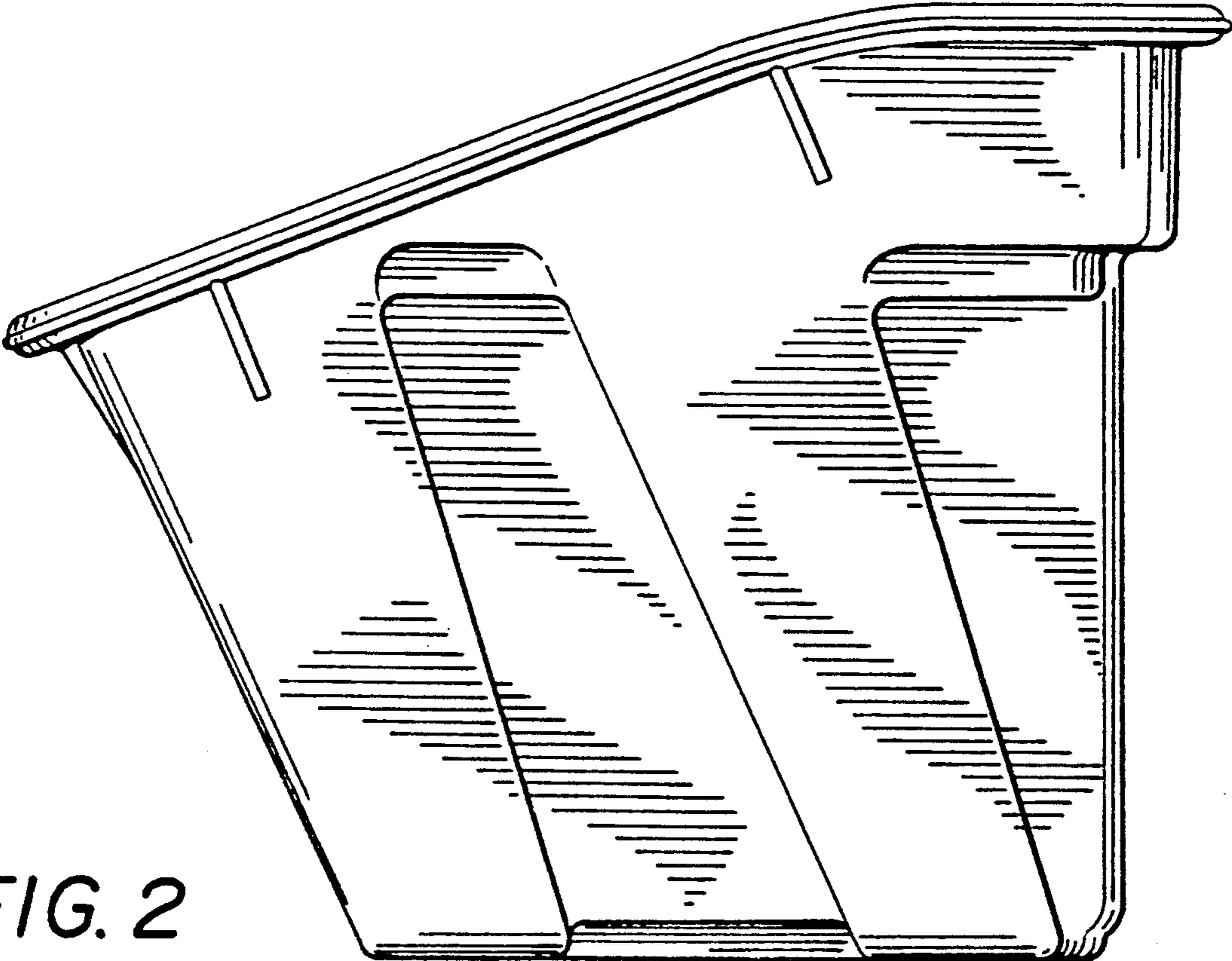
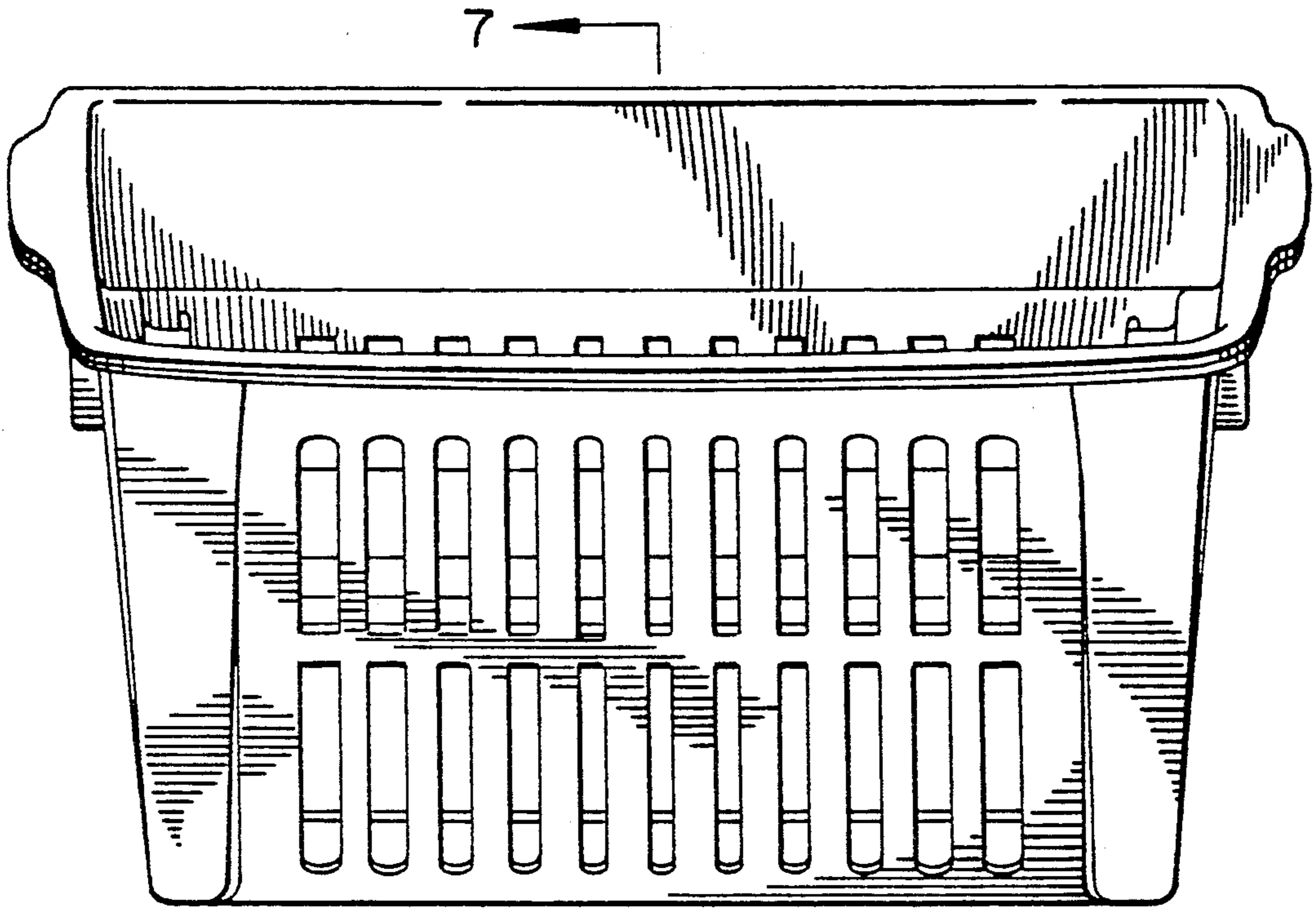
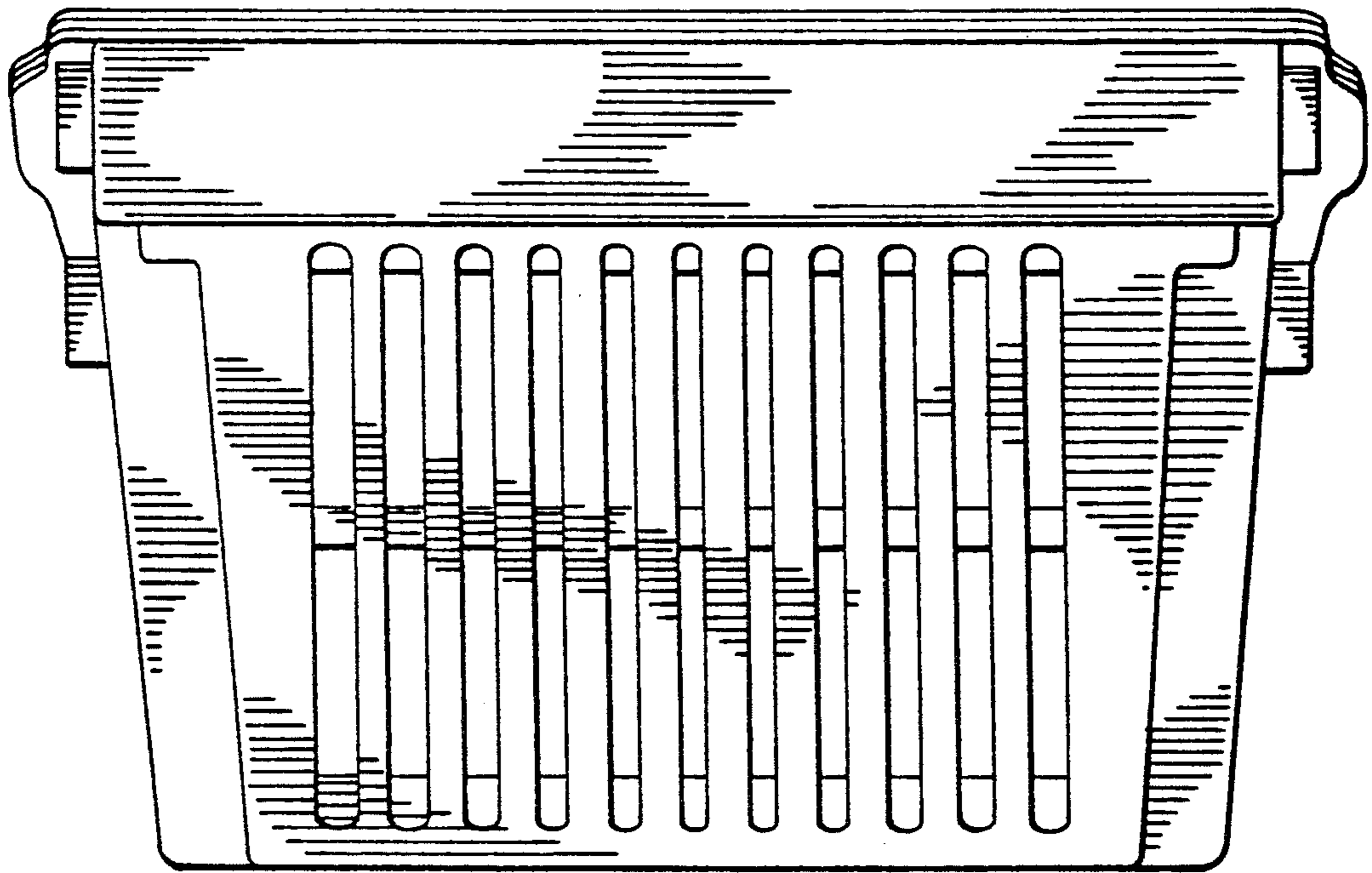


FIG. 2

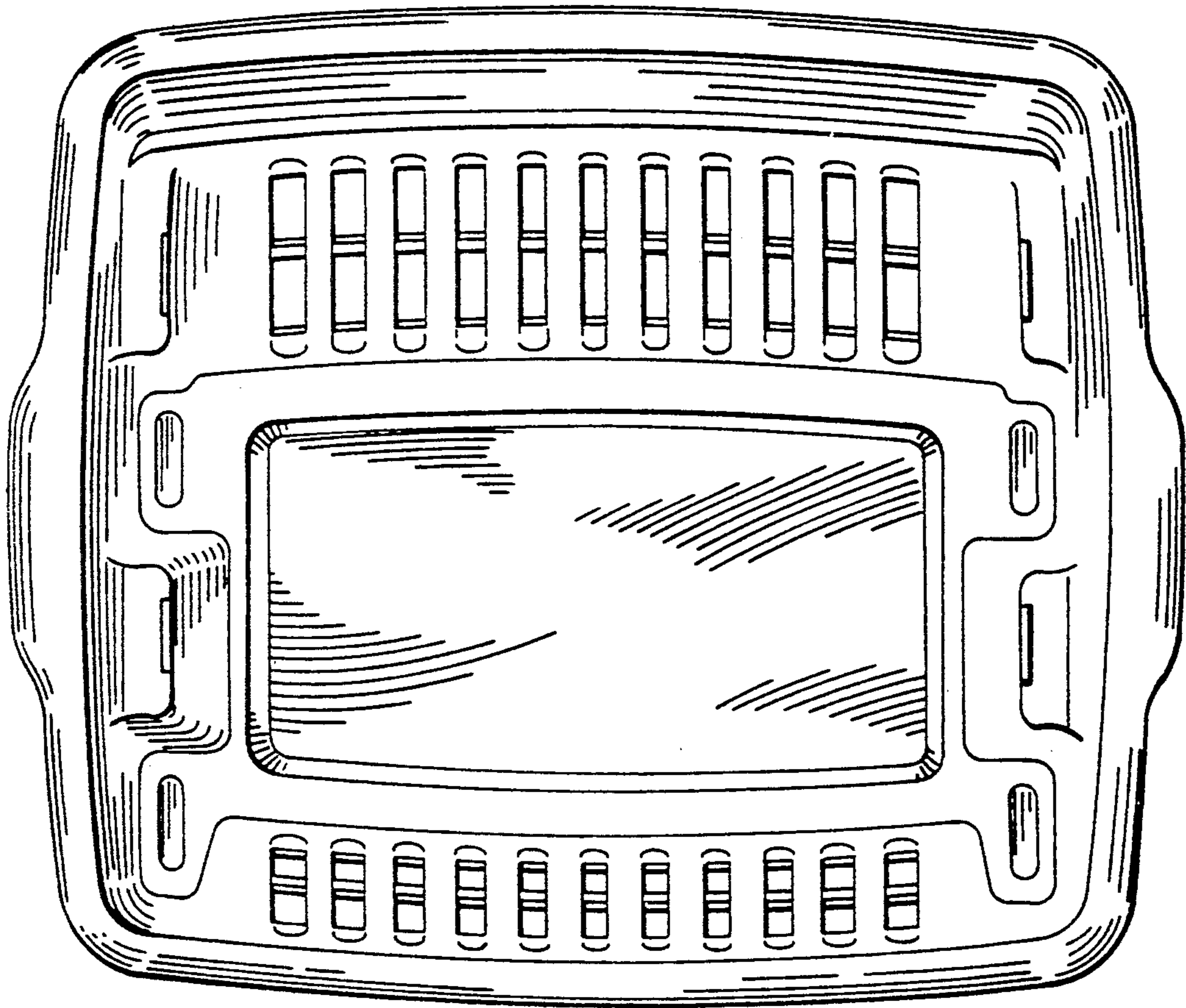




7  
**FIG. 3**



**FIG. 4**



*FIG. 5*

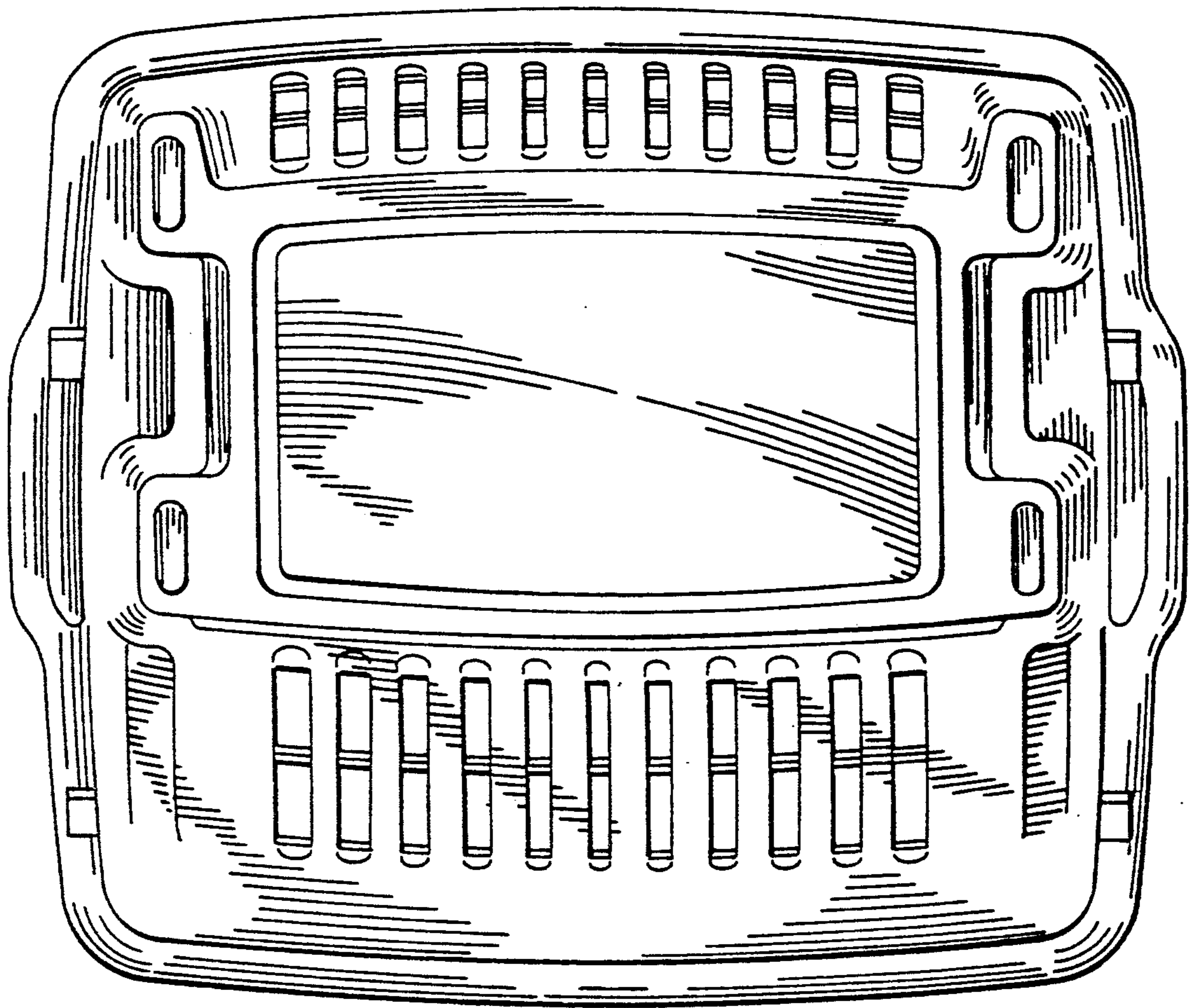
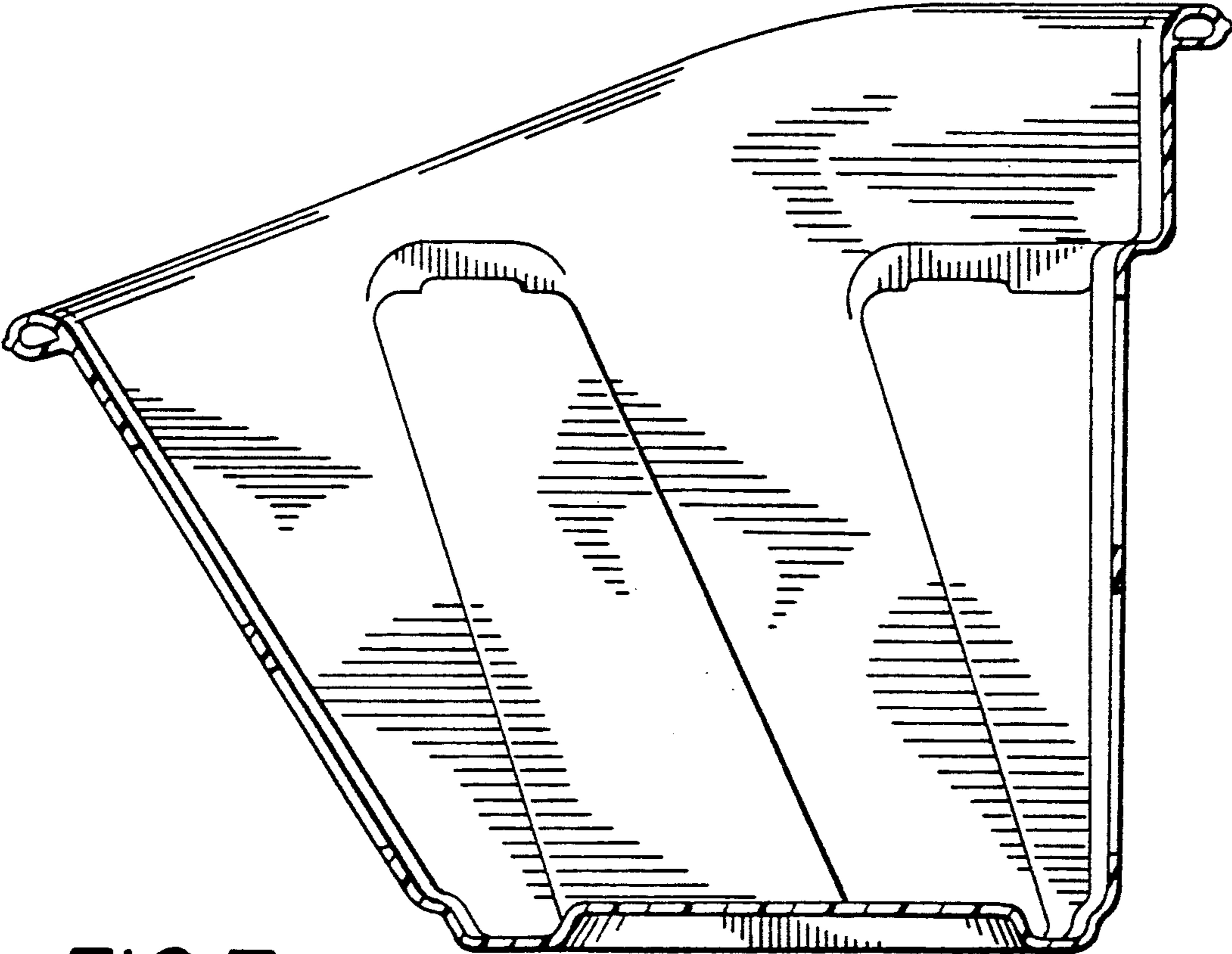


FIG. 6



*FIG. 7*