



US00D327559S

United States Patent [19]
Glenn

[11] **Patent Number: Des. 327,559**
[45] **Date of Patent: ** Jun. 30, 1992**

[54] **VEHICLE TRUNK LOADING/UNLOADING RAMP**

[76] **Inventor: Arnold Glenn, 1 Trayer Rd., Canton, Mass. 02021**

[**] **Term: 14 Years**

[21] **Appl. No.: 479,752**

[22] **Filed: Feb. 14, 1990**

[52] **U.S. Cl. D34/32**

[58] **Field of Search D34/32, 28, 31; 414/340, 345, 462, 356, 401; 254/419; 293/126; 193/2 C; D10/108**

[56] **References Cited**

U.S. PATENT DOCUMENTS

D. 310,747 9/1990 Isogai D34/31 X
1,212,524 1/1917 Lucas 193/26
4,878,000 11/1989 Dell 414/537 X

OTHER PUBLICATIONS

Colson Catalog, Sep. 18, 1961, p. 1nW-21, lever, circled item on right of page.
Dreyfuss Symbol Sourcebook, 1973, p. 160, window 'up, down' symbol, circled item near top of page.
Lectric Lites Co. Cat., 1979, p. 5 two-way traffic sign, item No. W1-7 located 2nd row, second sign from right.

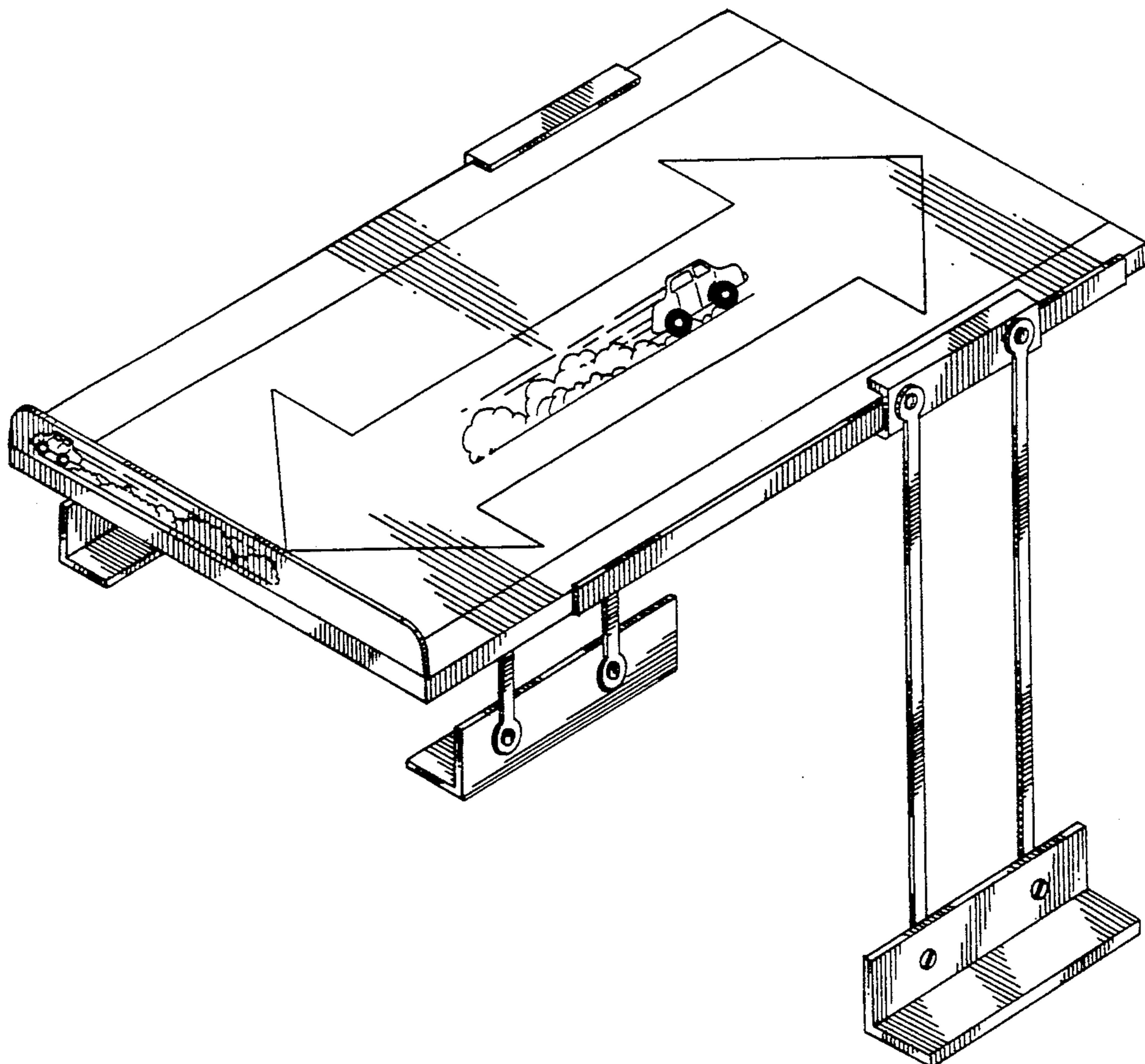
Primary Examiner—Wallace R. Burke
Assistant Examiner—H. Baynham
Attorney, Agent, or Firm—Terry M. Gernstein

[57] **CLAIM**

The ornamental design for a vehicle trunk loading/unloading ramp, as shown and described.

DESCRIPTION

FIG. 1 is a perspective view of a vehicle trunk loading/unloading ramp showing my new design; FIG. 2 is a front elevational view thereof; FIG. 3 is a rear elevational view thereof; FIG. 4 is a side elevational view thereof with the opposite side being a mirror image thereof; FIG. 5 is a top plan view thereof; and, FIG. 6 is a bottom view thereof.



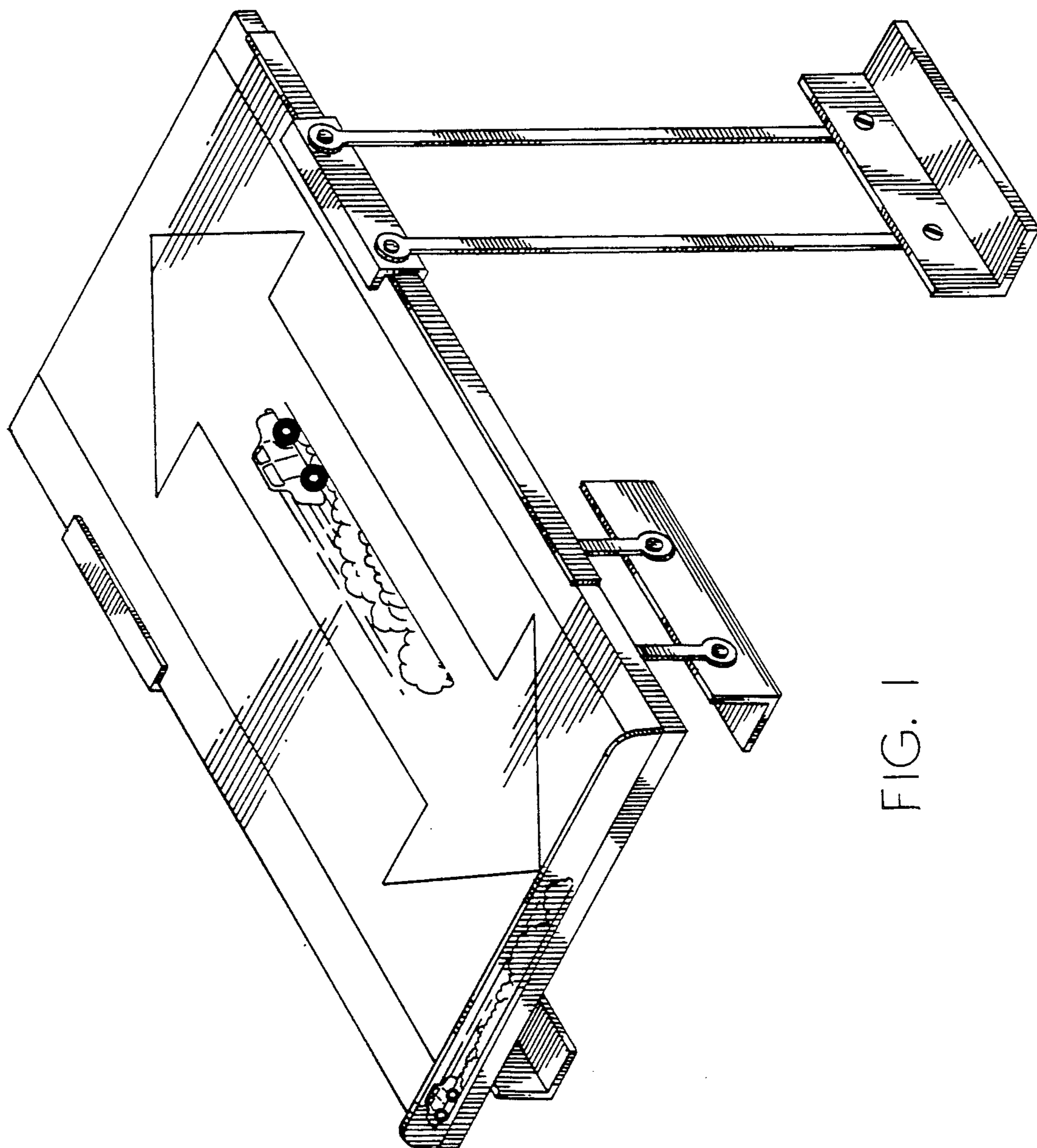


FIG. 1

FIG. 2

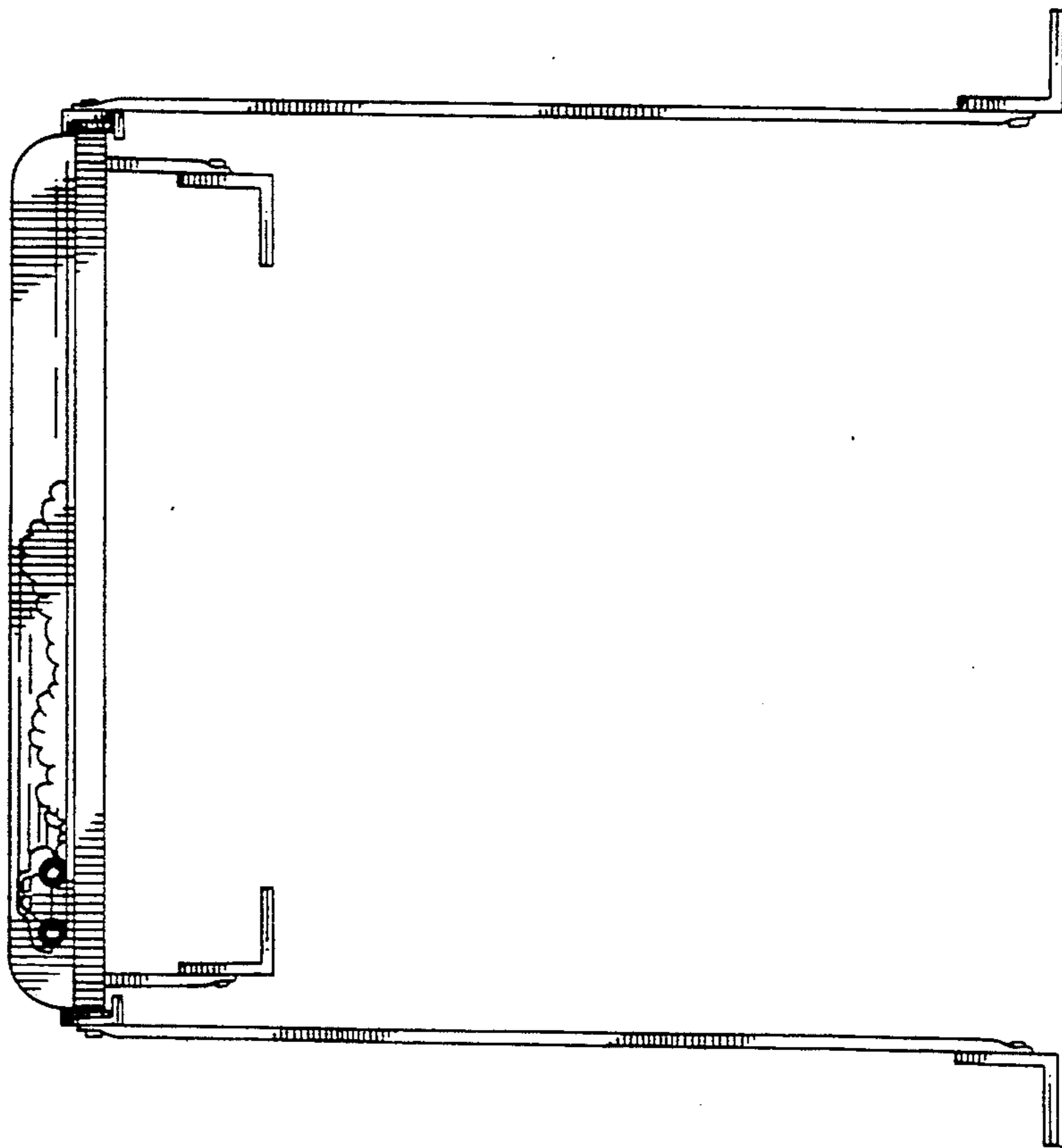
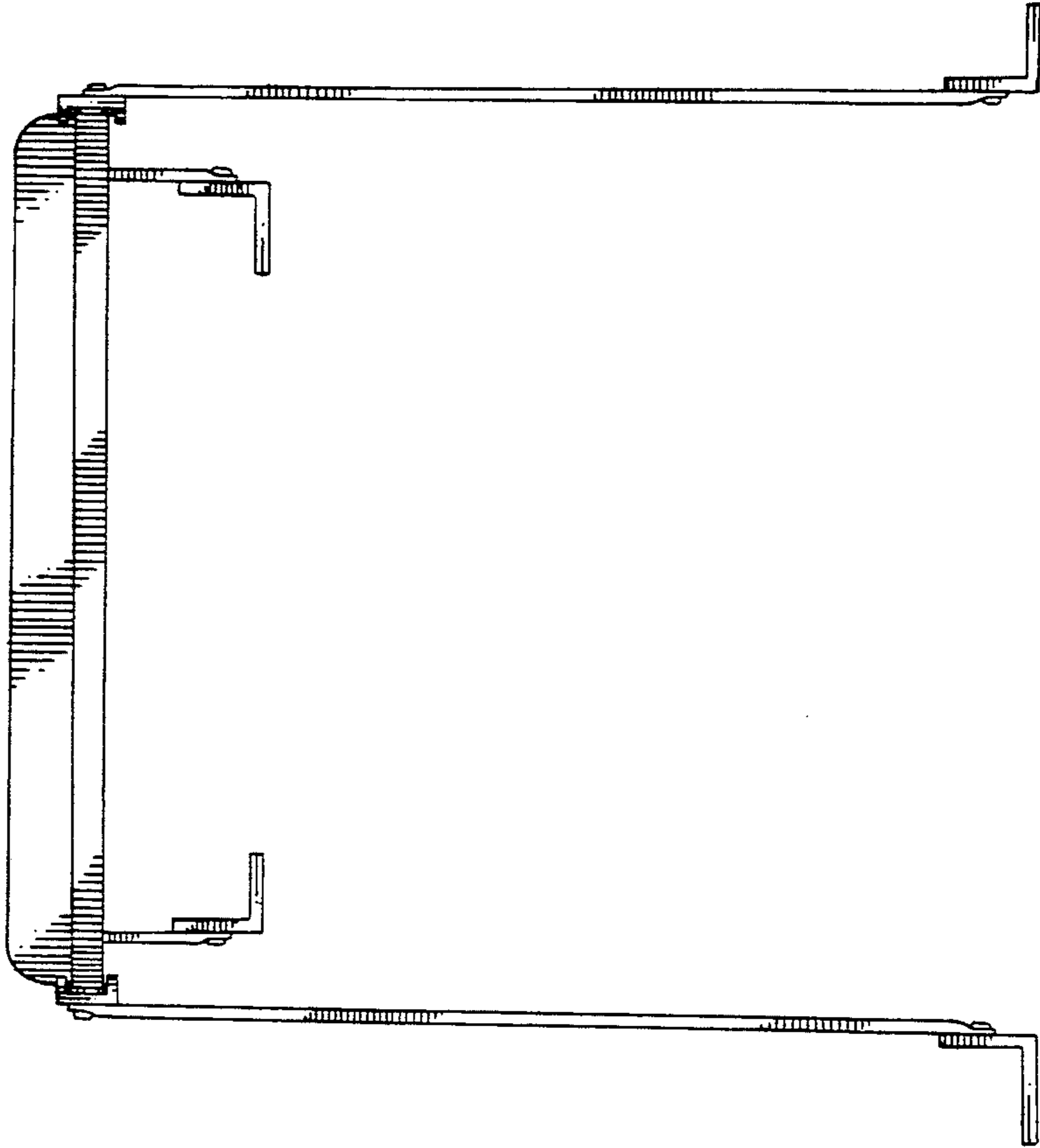


FIG. 3



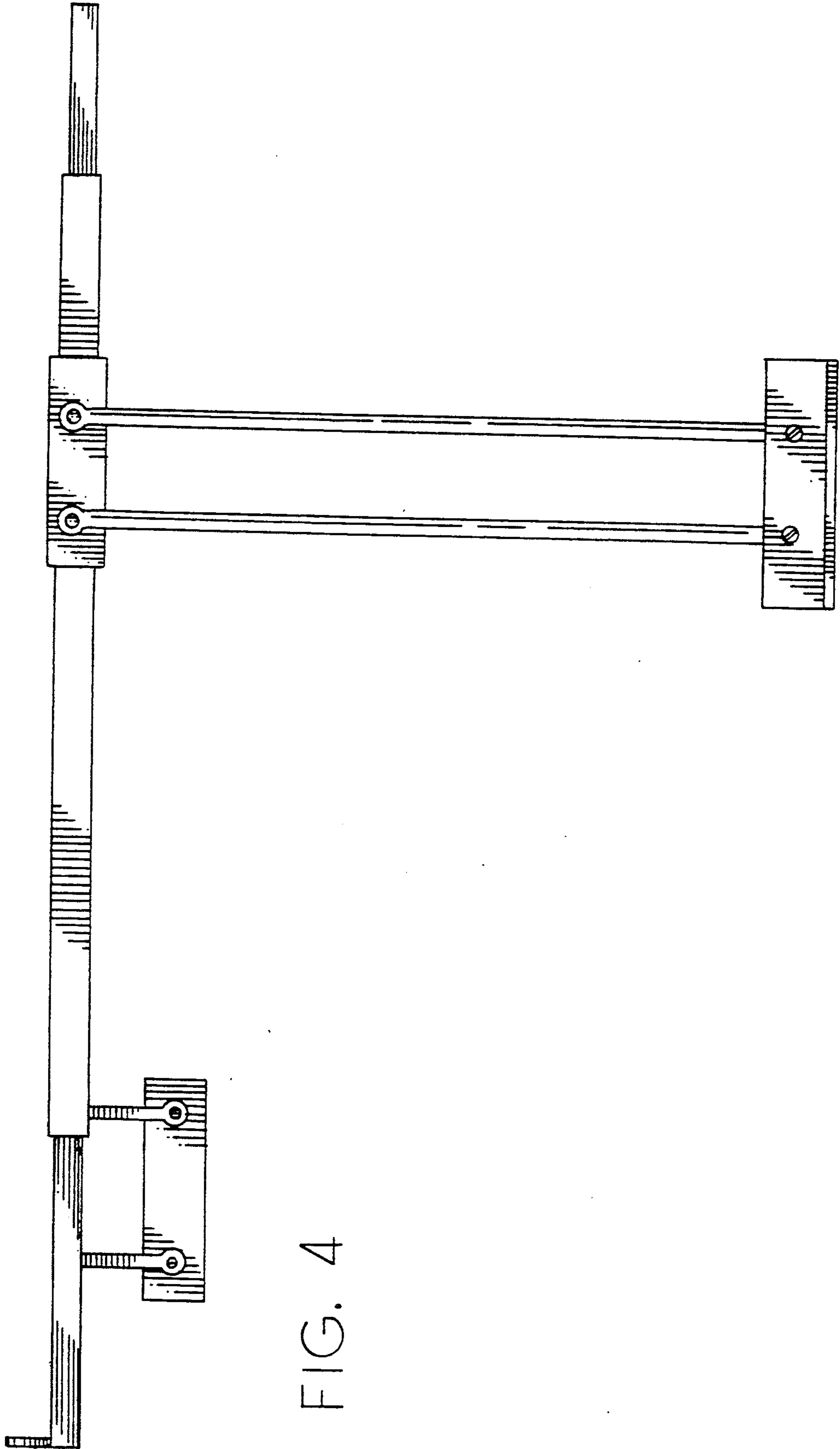


FIG. 4

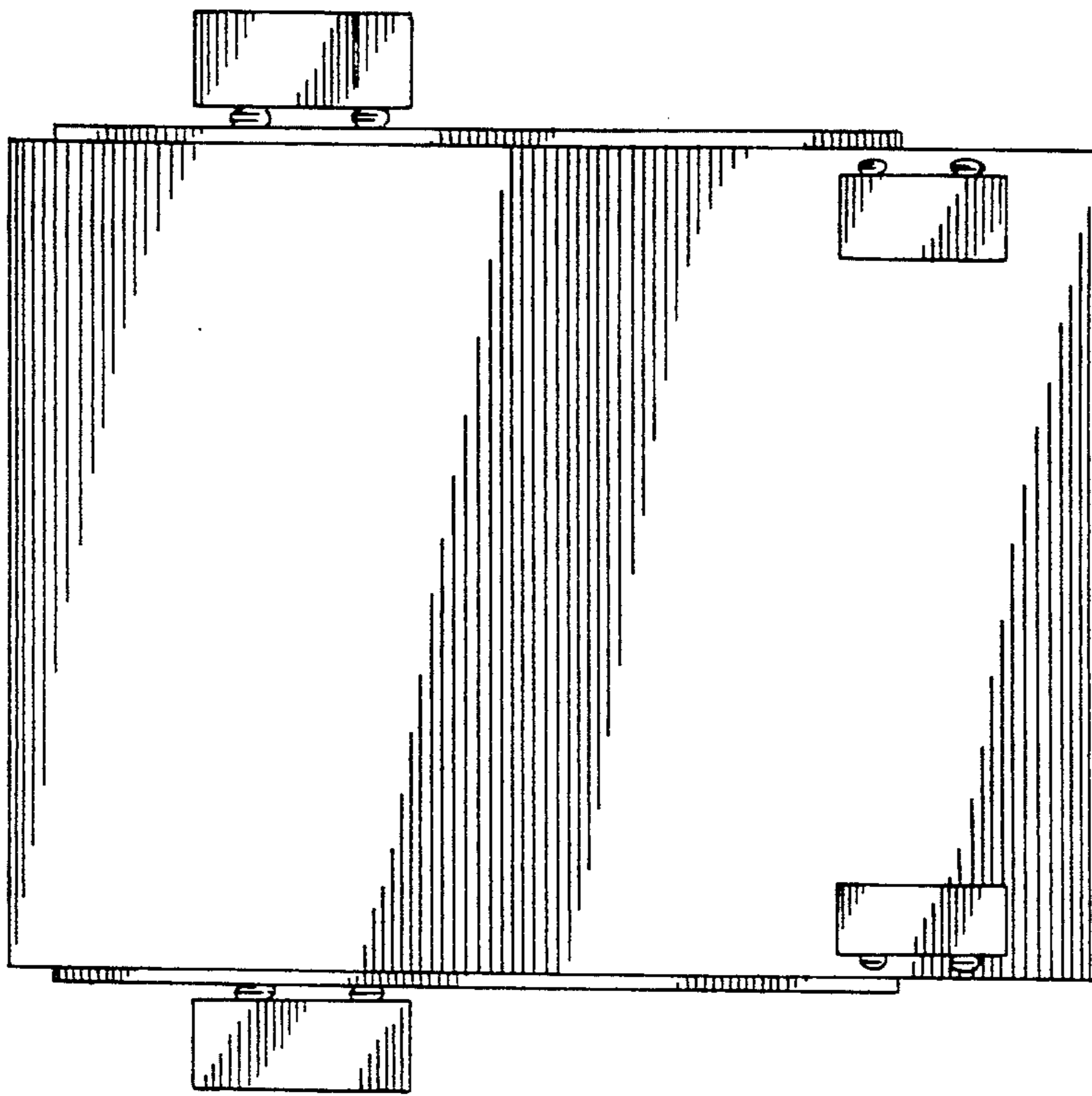


FIG. 6

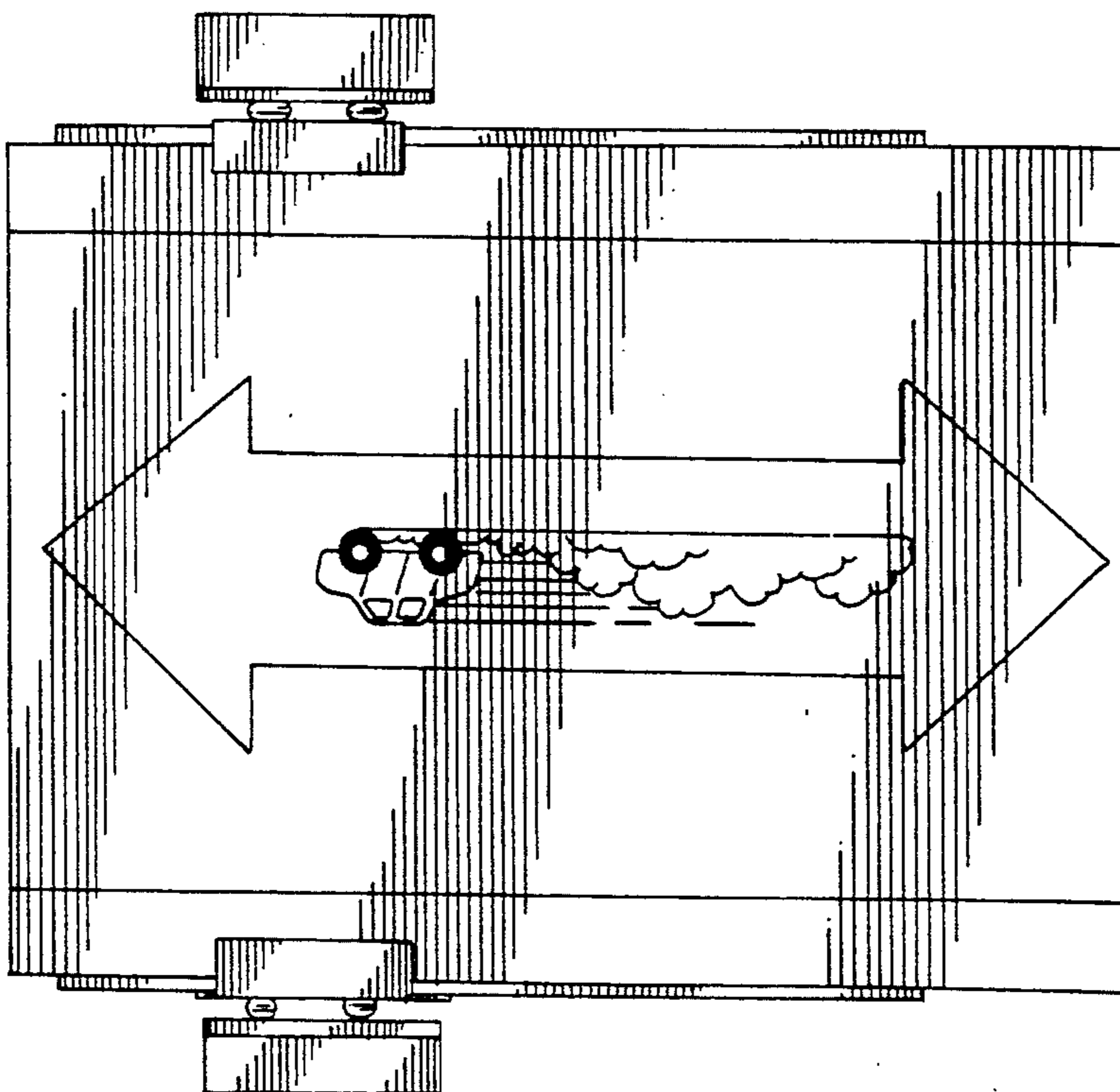


FIG. 5