



US00D327558S

United States Patent [19]

[11] Patent Number: **Des. 327,558**

Giugiaro

[45] Date of Patent: **** Jun. 30, 1992**

[54] **SET OF END UNITS FOR BALUSTRADES**

[75] Inventor: **Giorgetto Giugiaro, Turin, Italy**

[73] Assignee: **Inventio AG, Hergiswil, Switzerland**

[**] Term: **14 Years**

[21] Appl. No.: **407,492**

[22] Filed: **Sep. 7, 1989**

[30] **Foreign Application Priority Data**

Mar. 17, 1989 [XH] Hague DM/013112
 [52] U.S. Cl. **D34/28**
 [58] Field of Search D34/28, 30; 198/332,
 198/336

[56] **References Cited**

U.S. PATENT DOCUMENTS

D. 296,374 6/1988 Herrmann et al. D34/30
 3,144,118 8/1964 Fabula D34/30 X
 3,170,557 2/1965 Takenaga et al. D34/30 X
 3,707,220 12/1972 Boltrek et al. 198/332 X

OTHER PUBLICATIONS

Sweets-Montgomery brochure, 1978—no page number, escalators and ballustrades, items A and B-A at top of page, B in middle left side.

Sweets Catalog-Otis Elevator Company, 1978, no page number, escalators, single picture.

Sweets Catalog-Montgomery brochure, 1978—no page number—escalators, single page picture.

Sweets Catalog—Westinghouse brochure, 1978, p. 22, escalator—located at bottom of page.

Primary Examiner—Wallace R. Burke

Assistant Examiner—H. Bayham

Attorney, Agent, or Firm—Sandler, Greenblum & Bernstein

[57] **CLAIM**

The ornamental design for set of end units for balustrades, as shown and described.

DESCRIPTION

FIG. 1 is a perspective view of a set of end units for balustrades, showing my new design;

FIG. 2 is a fragmentary side elevational view of the upper end thereof;

FIG. 3 is a fragmentary side elevational view of the lower end thereof;

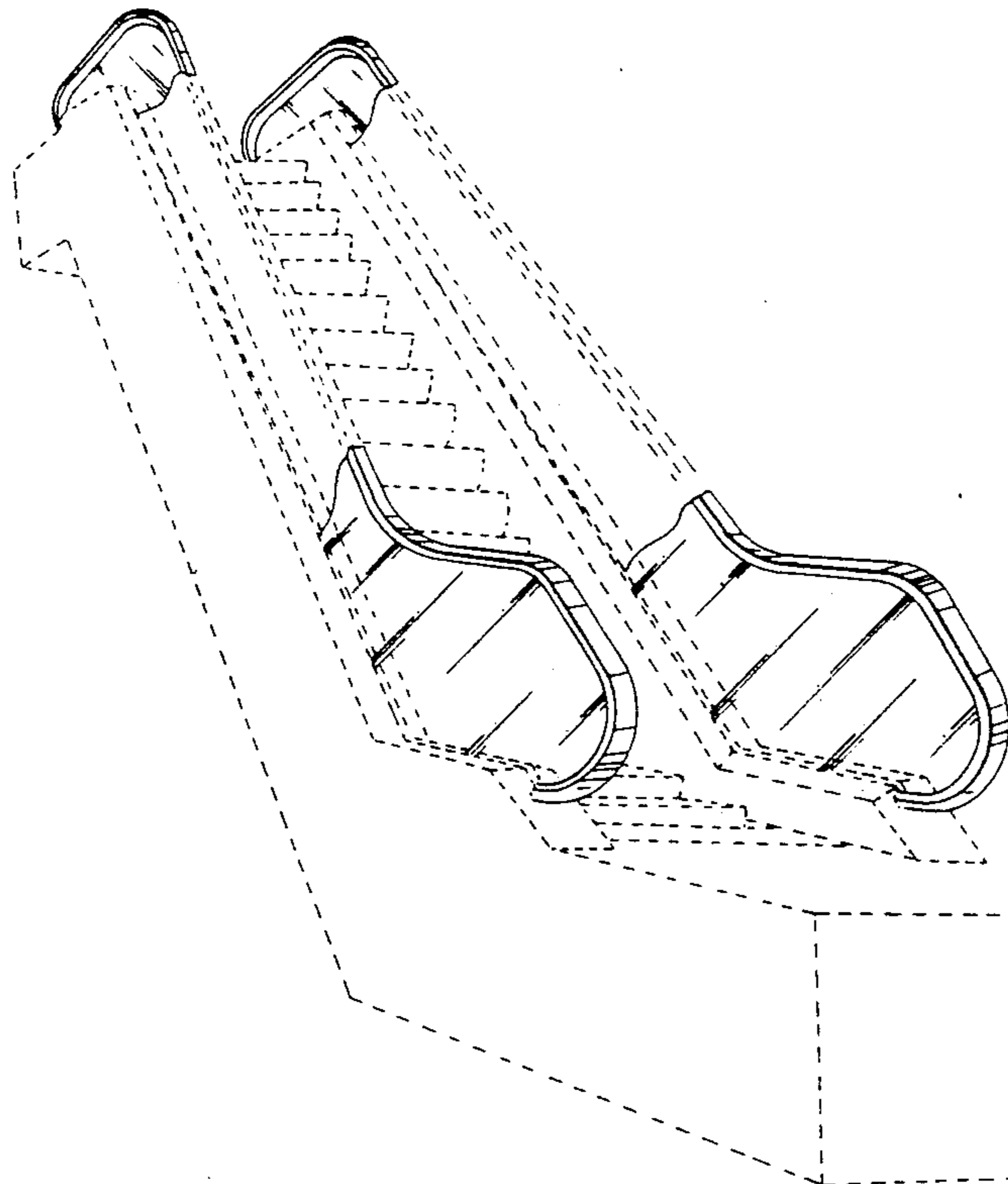
FIG. 4 is an elevational view thereof as seen from the upper end;

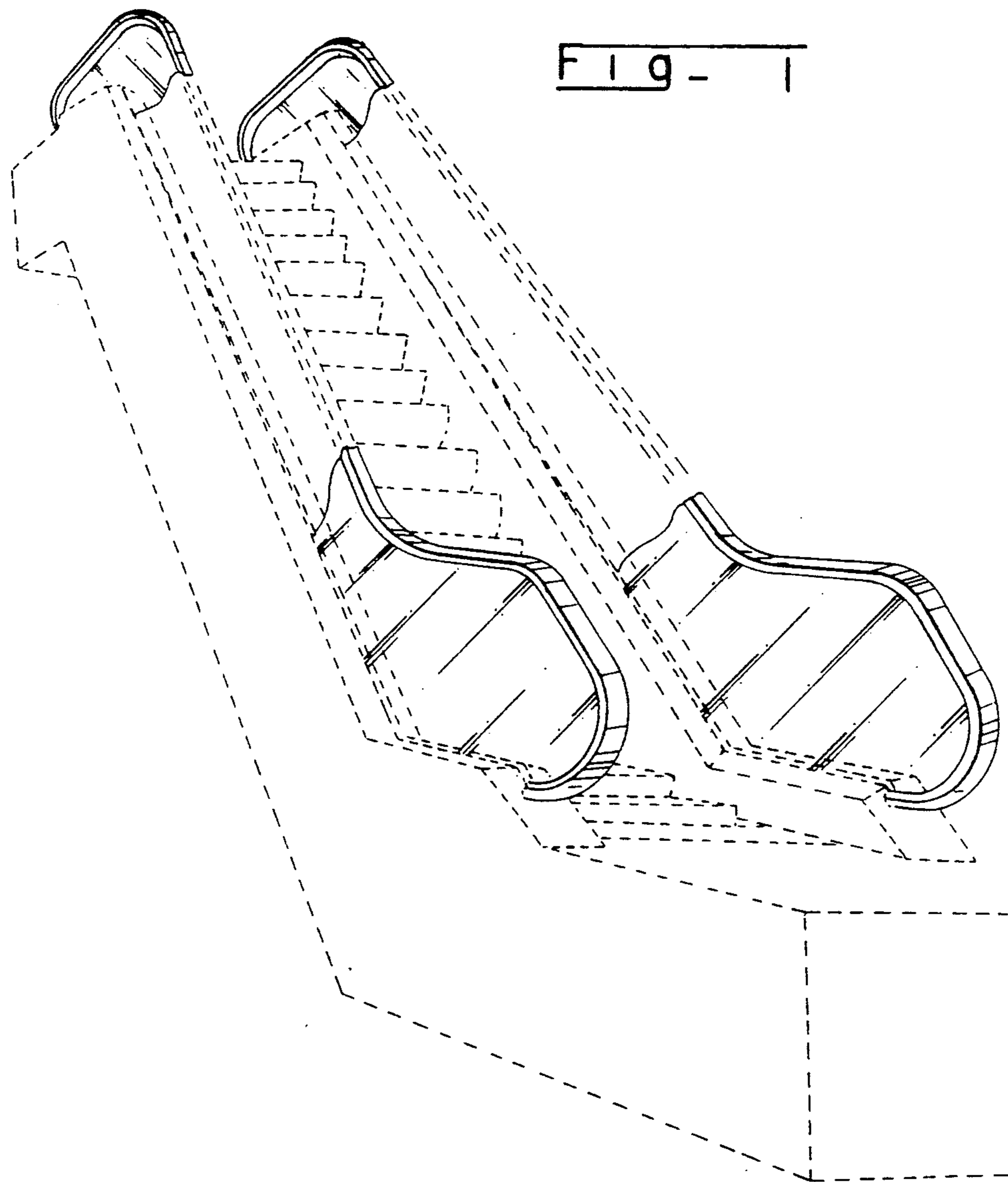
FIG. 5 is an elevational view thereof as seen from the lower end; (the broken lines showing the escalator stairs are for illustrative purposes only and form no part of the claimed design);

FIG. 6 is a ground plan view of the upper and lower end thereof;

The broken lines showing the escalator stairs, the middle portion of the balustrade and the mechanical housing are for illustrative purposes only and form no part of the claimed design.

The views of FIGS. 4-6 are shown broken away for ease of illustration.





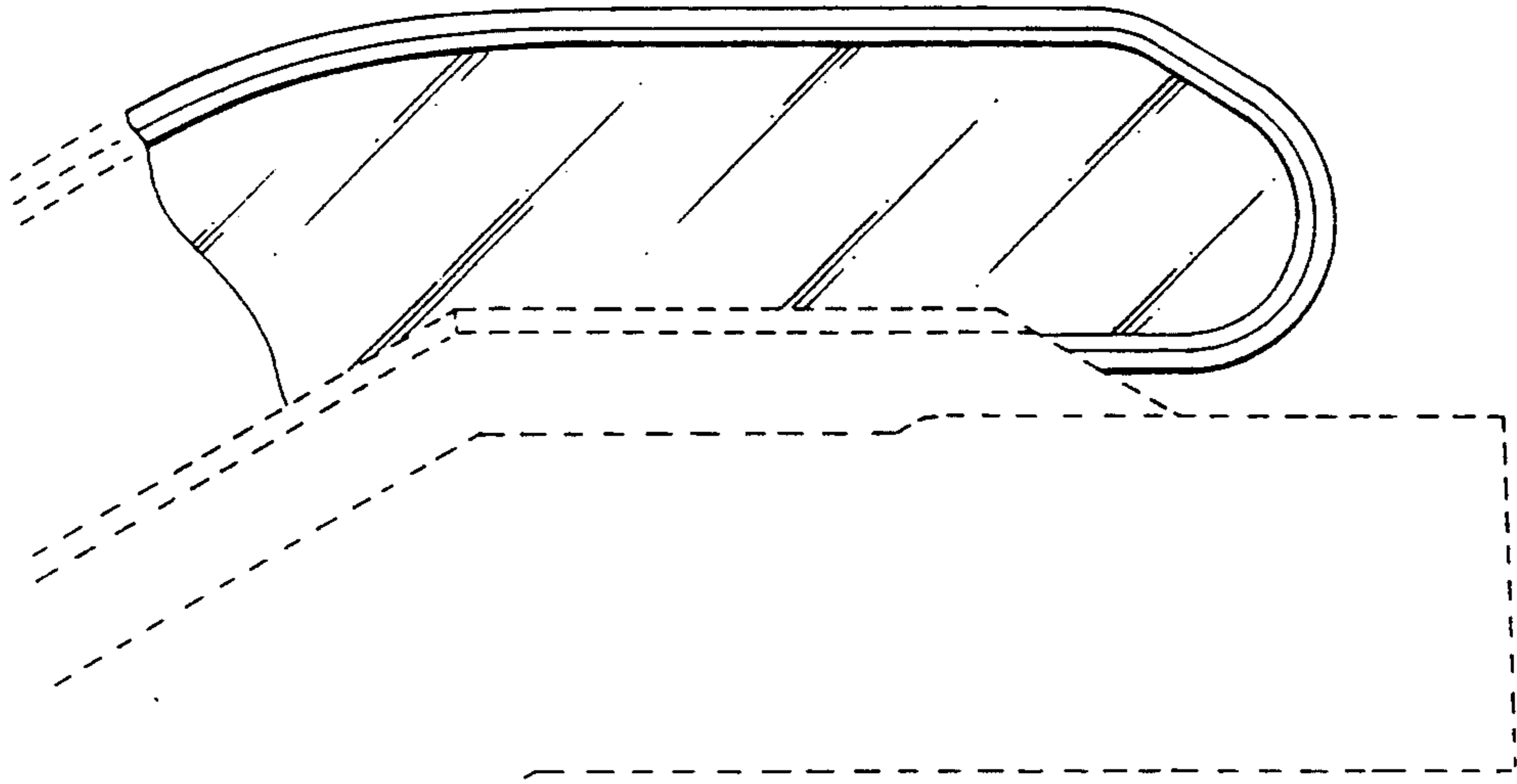


FIG- 2

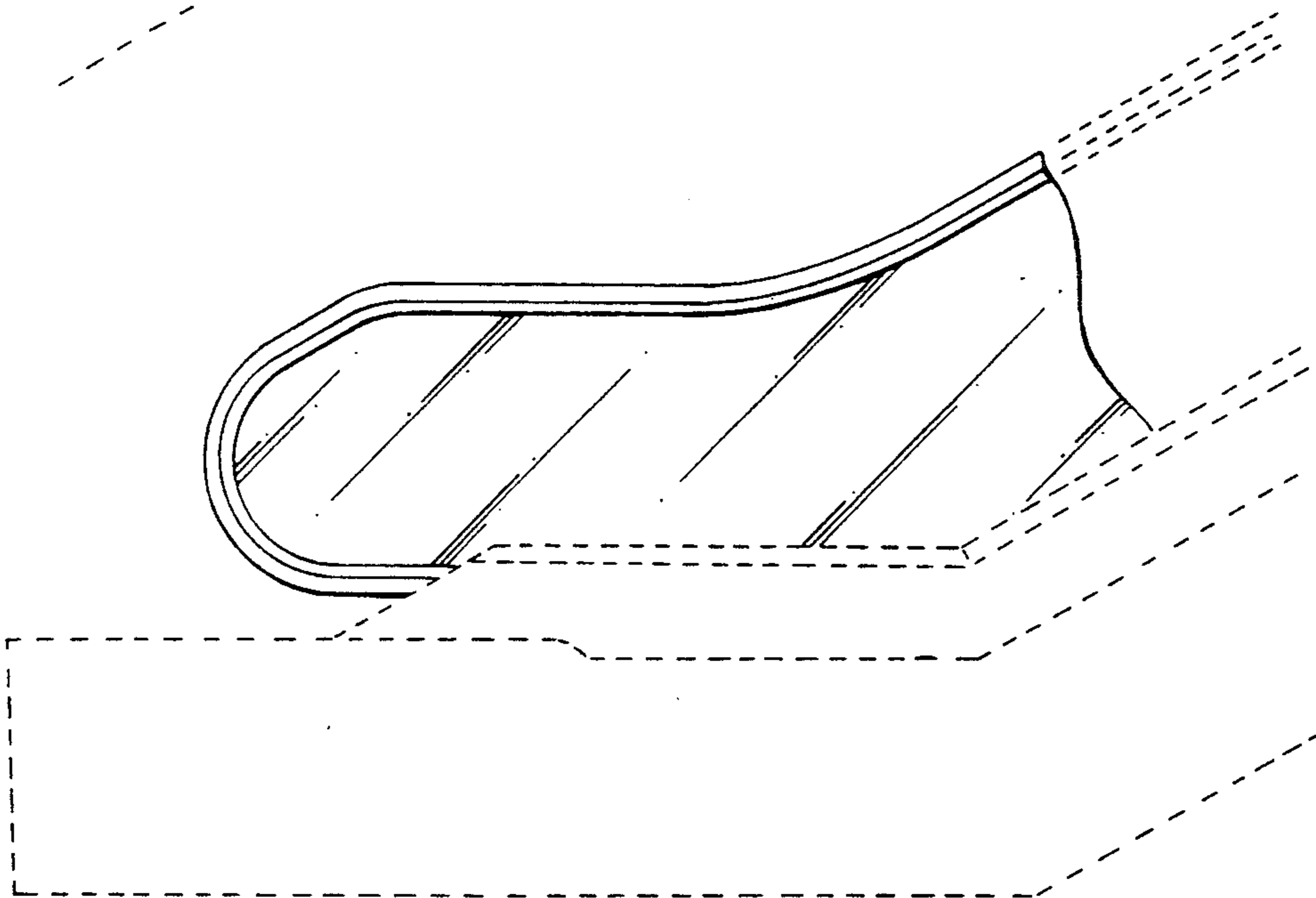


FIG- 3

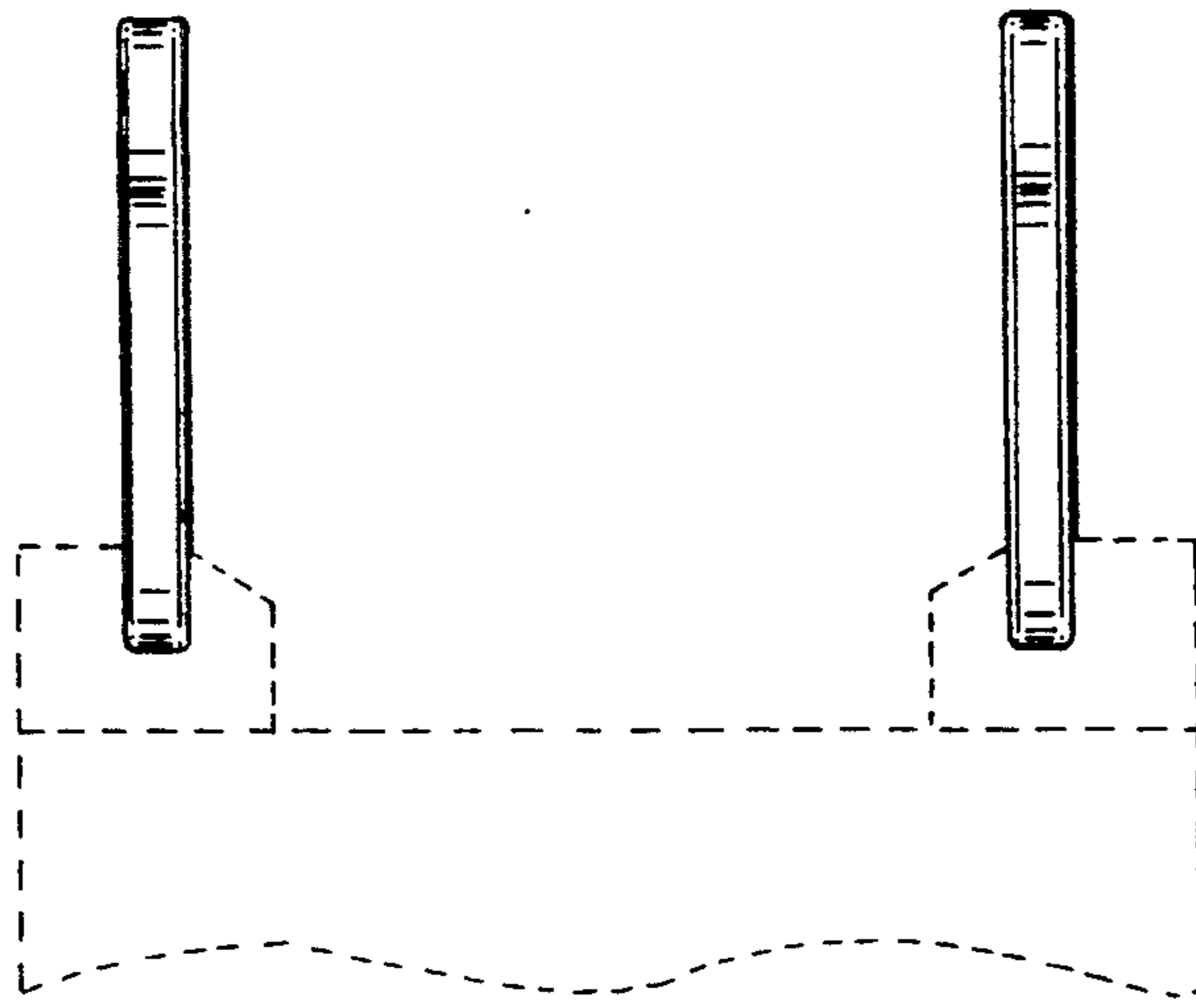


Fig - 4

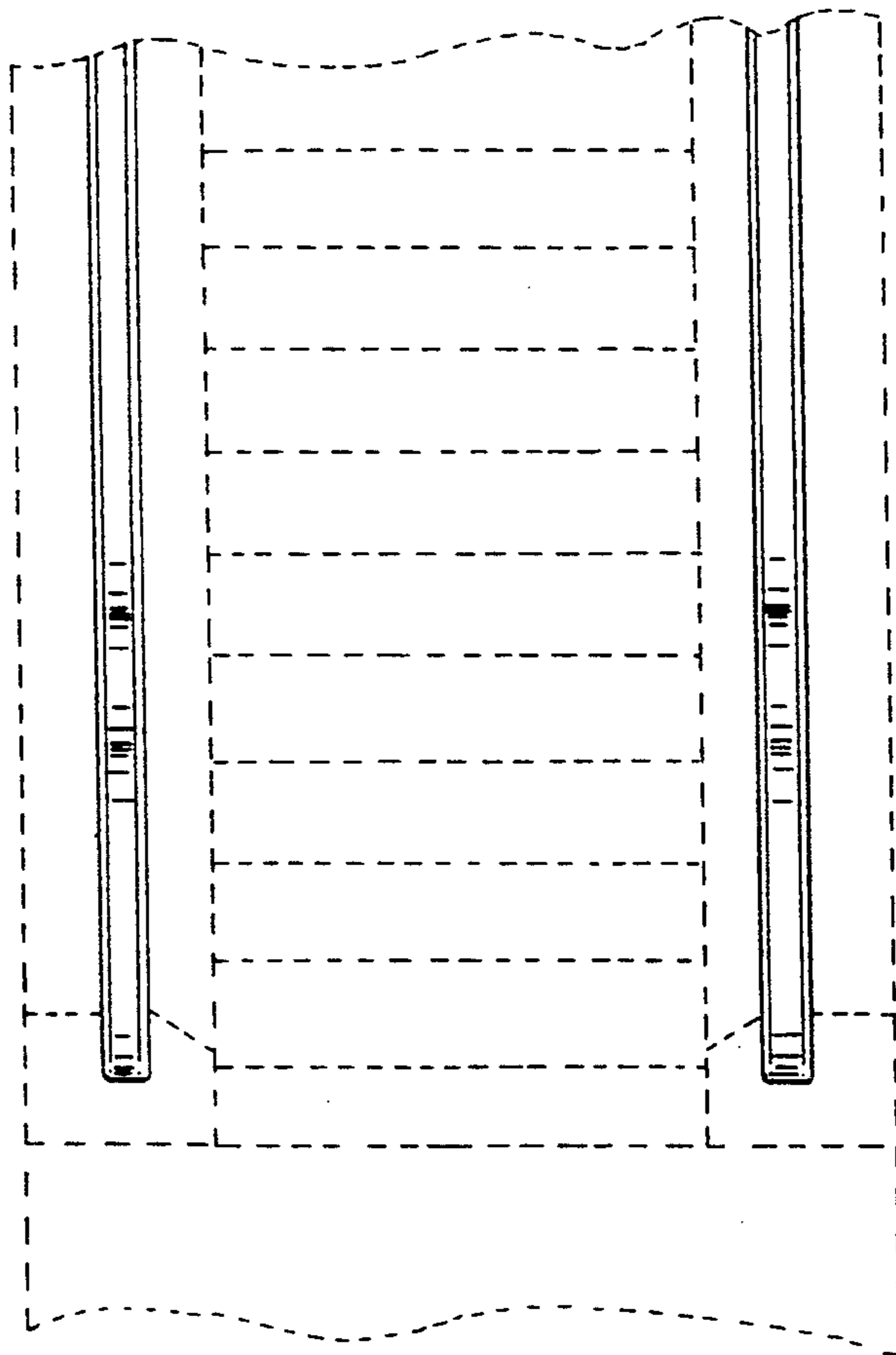


Fig - 5

FIG - 6

