



US00D327555S

# United States Patent [19]

[11] Patent Number: **Des. 327,555**

Juergens

[45] Date of Patent: **\*\* Jun. 30, 1992**

[54] **REFUSE CONTAINER**

[75] Inventor: **David A. Juergens, Winchester, Va.**

[73] Assignee: **Rubbermaid Commercial Products Inc., Winchester, Va.**

[\*\*] Term: **14 Years**

[21] Appl. No.: **607,086**

[22] Filed: **Oct. 31, 1990**

[52] U.S. Cl. .... **D34/1; D32/53**

[58] Field of Search ..... **D34/1, 7, 9, 11; 220/908, 909, 23.83, 404, 401, 23.4; 232/1 R, 43.2; D32/53**

Pp. 25, and 29, Rubbermaid Incorporated, 1147 Akron Rd., Wooster, Ohio 44691, Publication date 1988. Sell Sheet, Rubbermaid Commercial Products Inc., 3124 Valley Ave., Winchester, Va. 22601, Publication date 1990.

Pp. 2, 3, 4, 5, 6 and 9, Rubbermaid Commercial Products Inc., 3124 Valley Ave., Winchester, Va. 22601, Publication date 1988.

*Primary Examiner*—Kay H. Chin  
*Attorney, Agent, or Firm*—Richard B. O'Planick

[57] **CLAIM**

The ornamental design for a refuse container, as shown and described.

[56] **References Cited**

**U.S. PATENT DOCUMENTS**

- D. 233,127 10/1974 Karn .
- D. 260,229 8/1981 Maza et al. .
- D. 271,248 11/1983 Maza et al. .
- D. 280,459 9/1985 McClelland .
- D. 292,638 11/1987 Carville .

**FOREIGN PATENT DOCUMENTS**

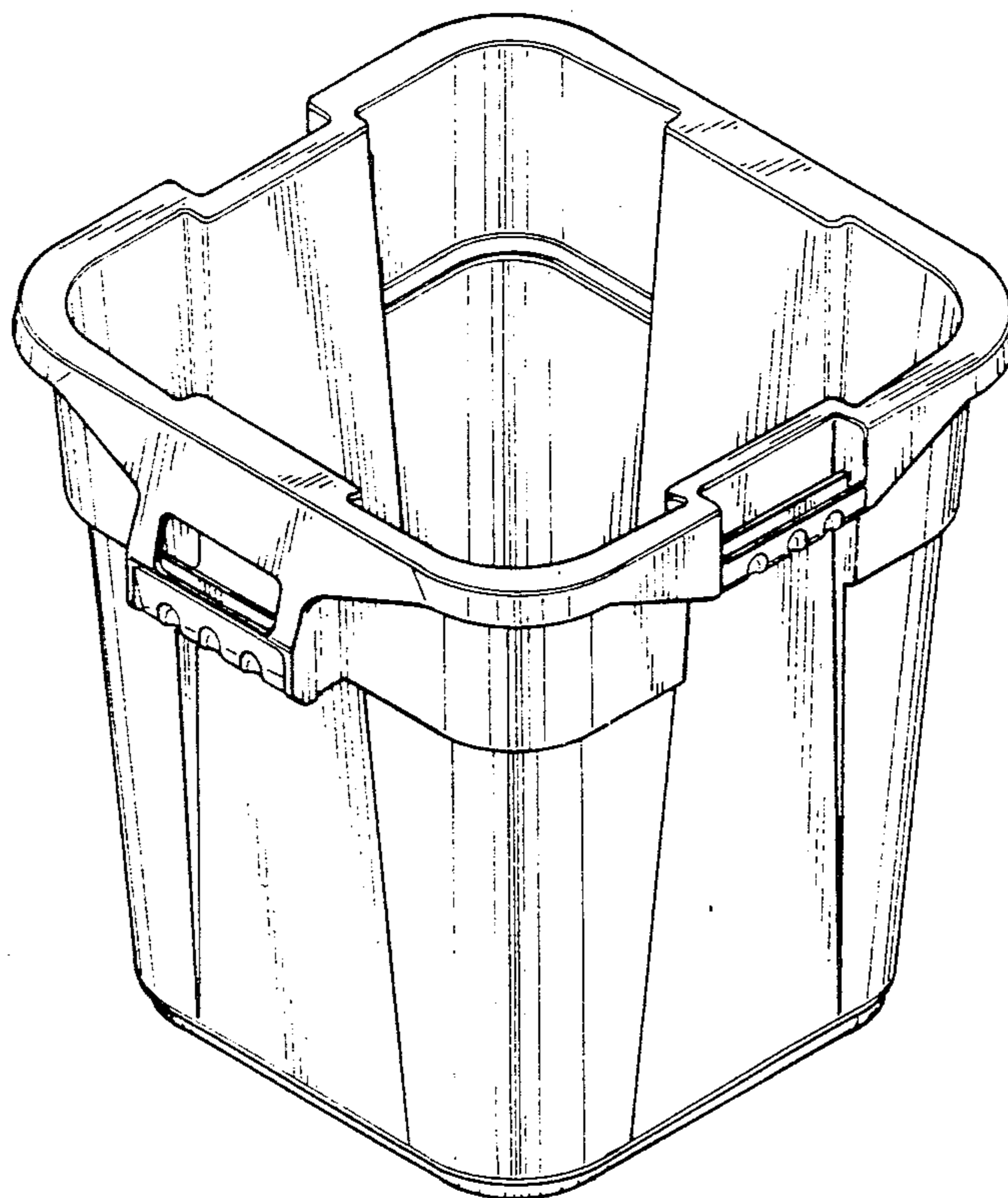
1366447 1/1988 U.S.S.R. .... 220/23.83

**OTHER PUBLICATIONS**

Sell Sheet, White 10770, North 46th St., P.O. Box 16647, Tampa, Fla. 33687, Publication date Jun. 1, 1988. Catalog Page, Continental Manufacturing Co., 123 Byassee Dr., St. Louis, Mo. 63042, Publication date 1990.

**DESCRIPTION**

FIG. 1 is a top left side front perspective view of a refuse container showing my new design.  
 FIG. 2 is a top plan view thereof;  
 FIG. 3 is a bottom plan view thereof;  
 FIG. 4 is a front elevational view thereof; the rear elevational view being a mirror image;  
 FIG. 5 is a side elevational view thereof; the opposite side being a mirror image;  
 FIG. 6 is a top, left side and front perspective view of a second embodiment of the refuse container;  
 FIG. 7 is a top, left side and front perspective view of a third embodiment of the refuse container;  
 FIG. 8 is a bottom plan view of the second embodiment of the refuse container; and,  
 FIG. 9 is a bottom plan view of the third embodiment of the refuse container.



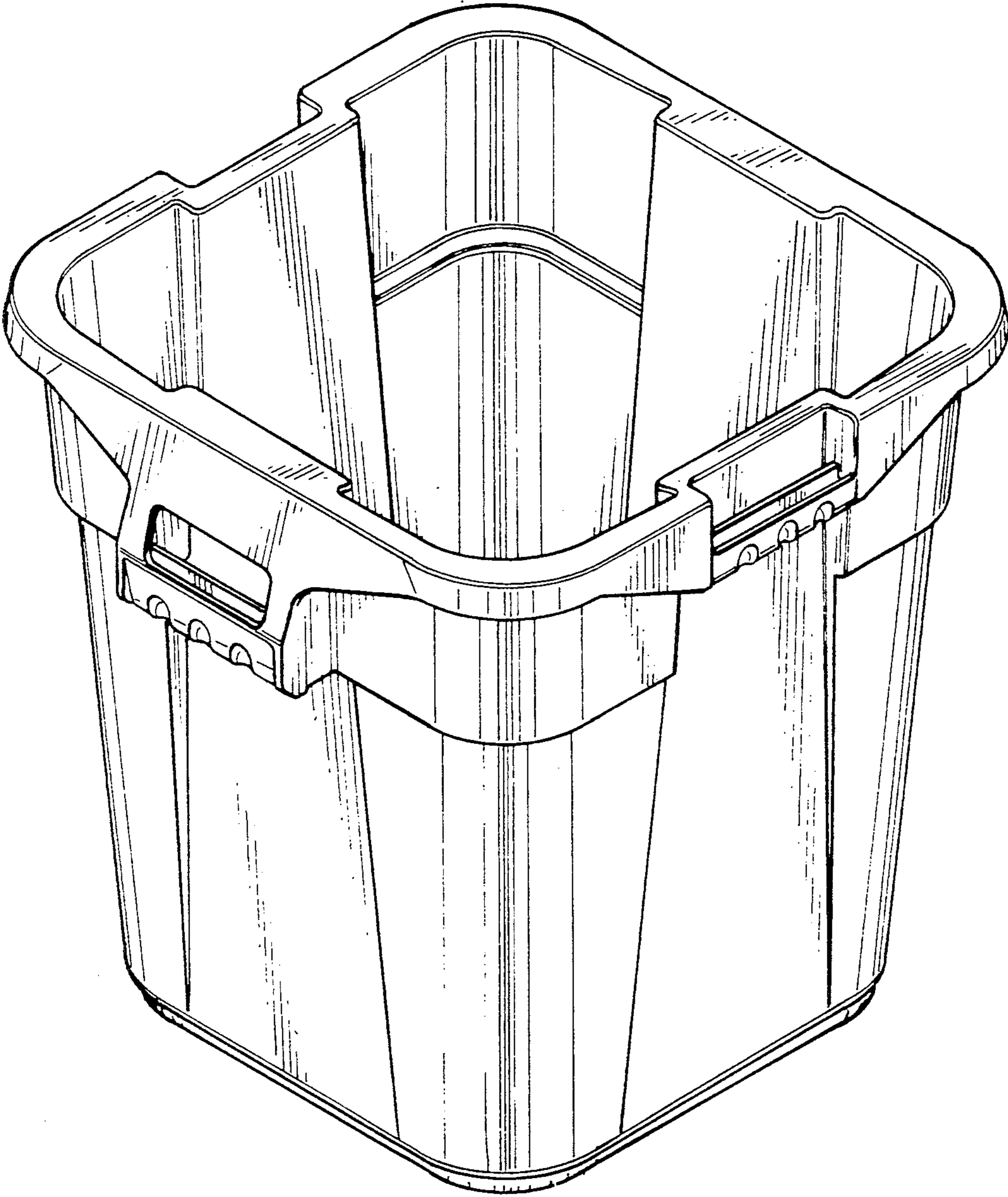


FIG. 1

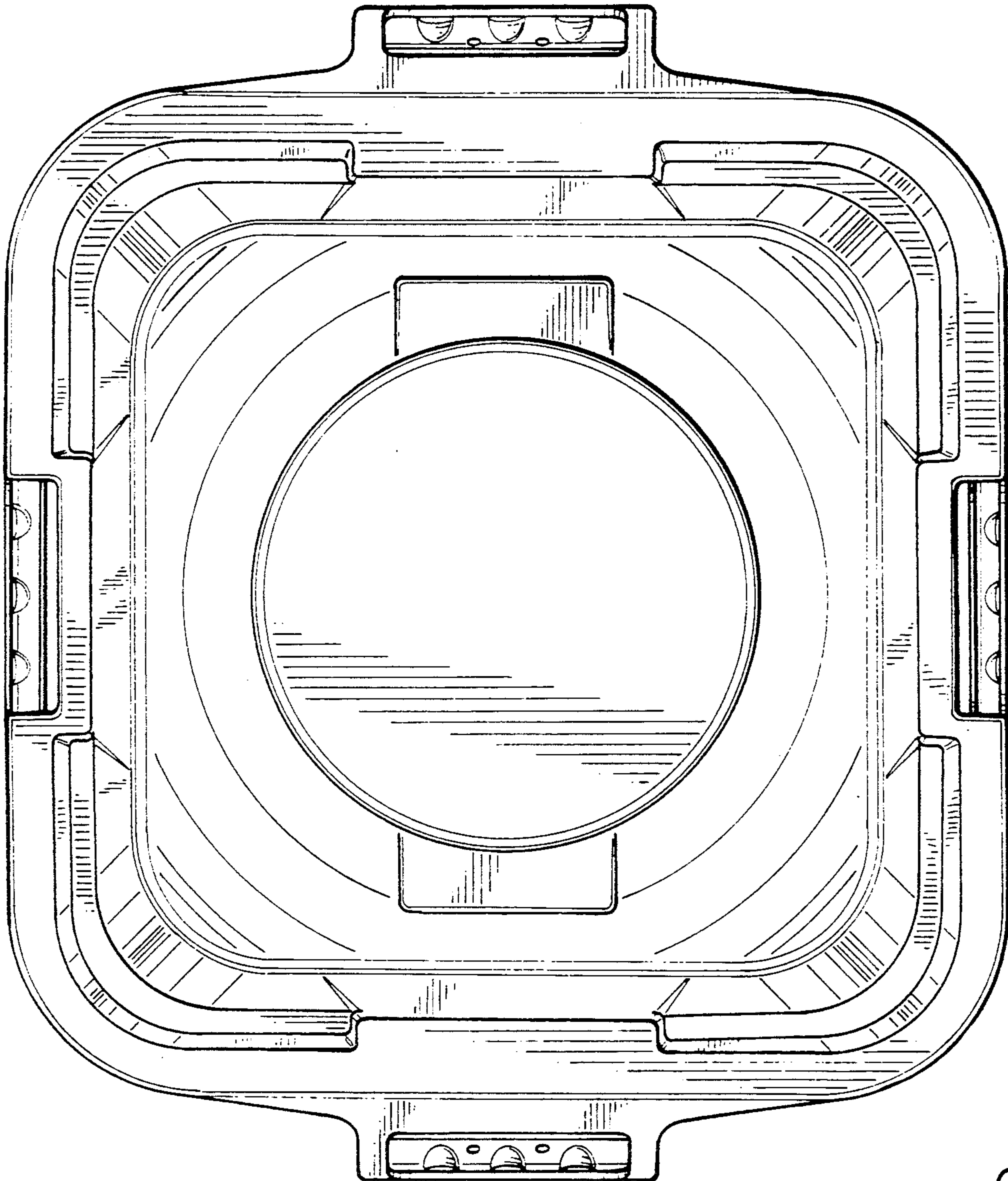


FIG. 2

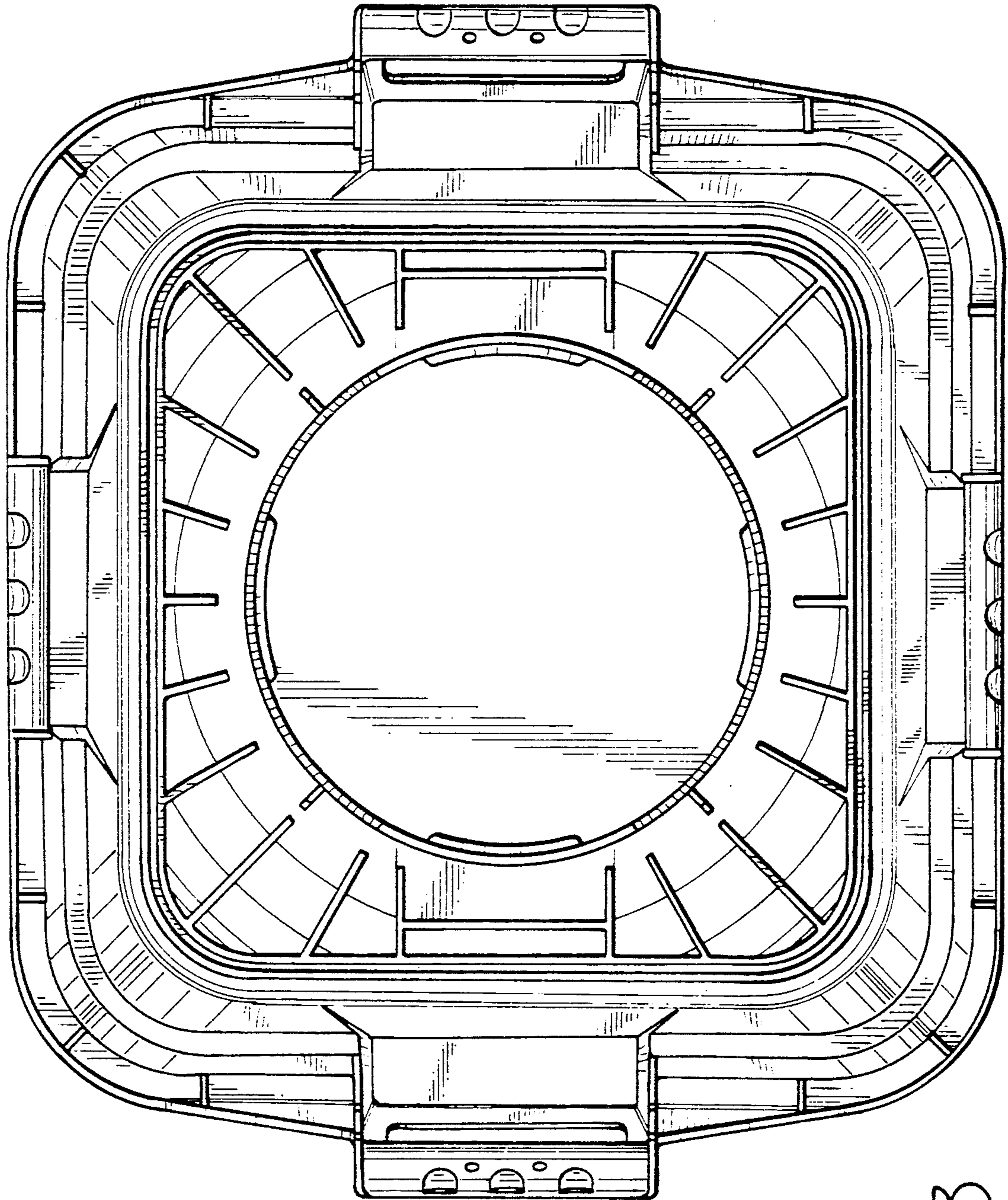


FIG. 3

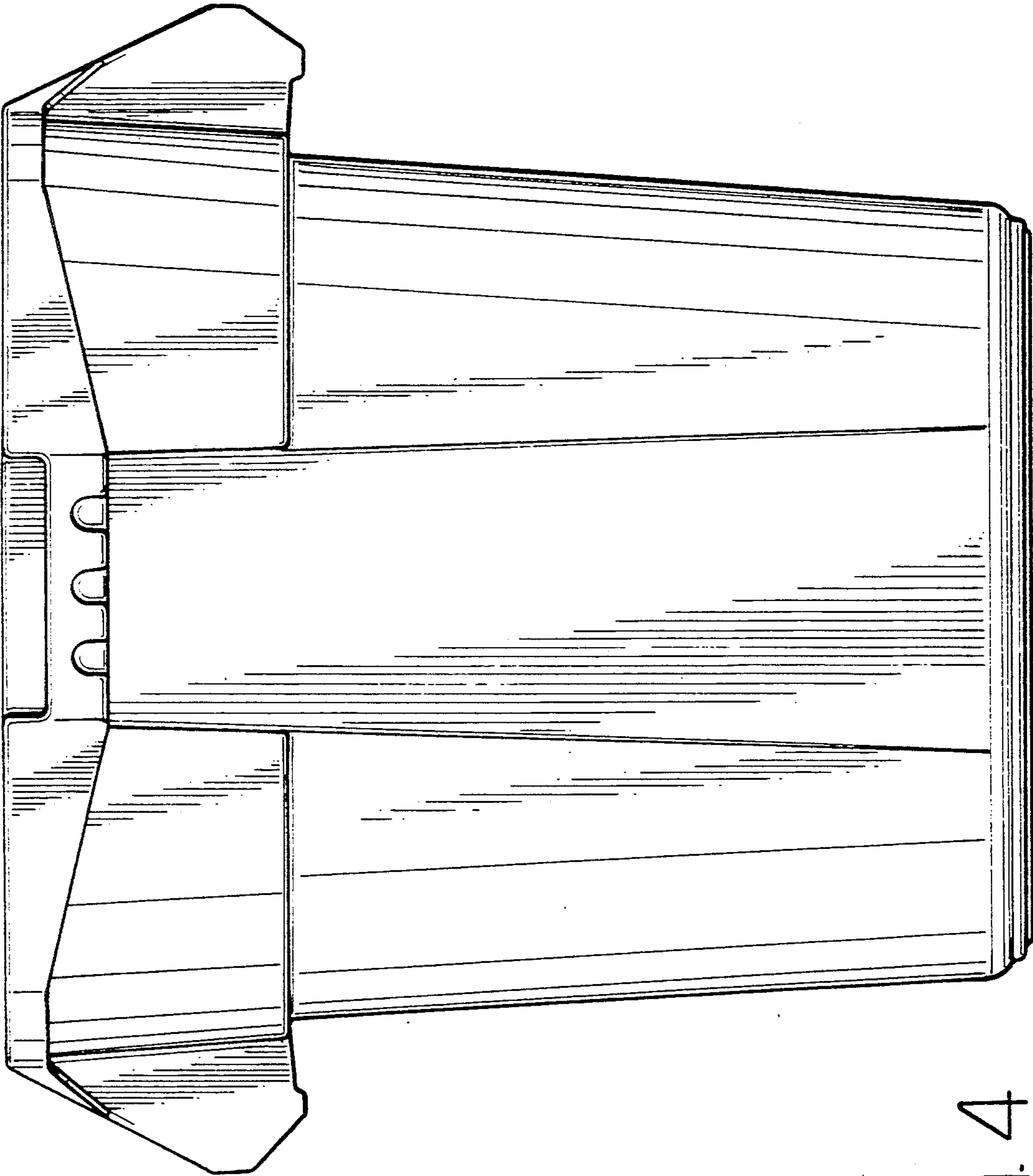


FIG. 4

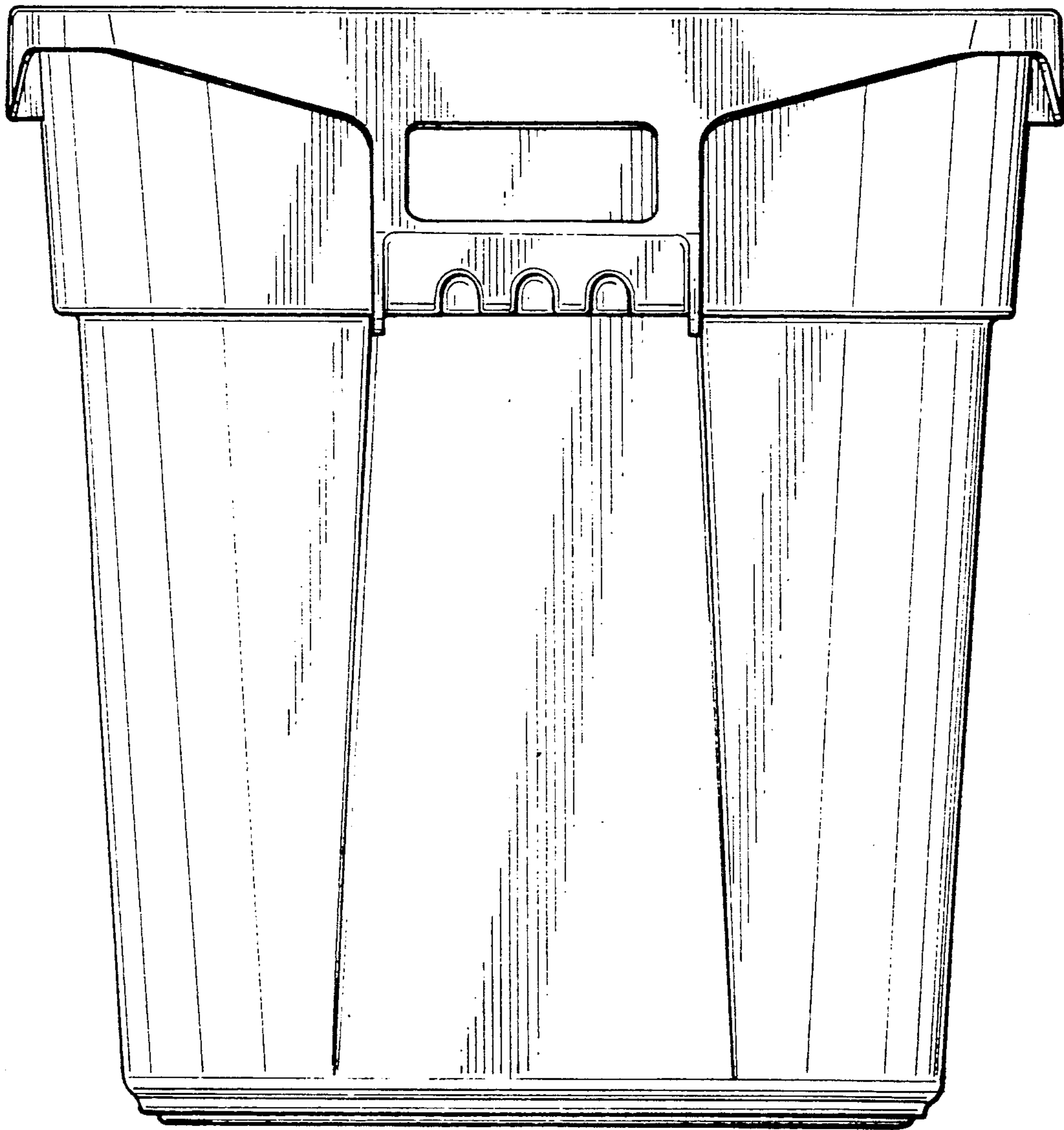


FIG. 5

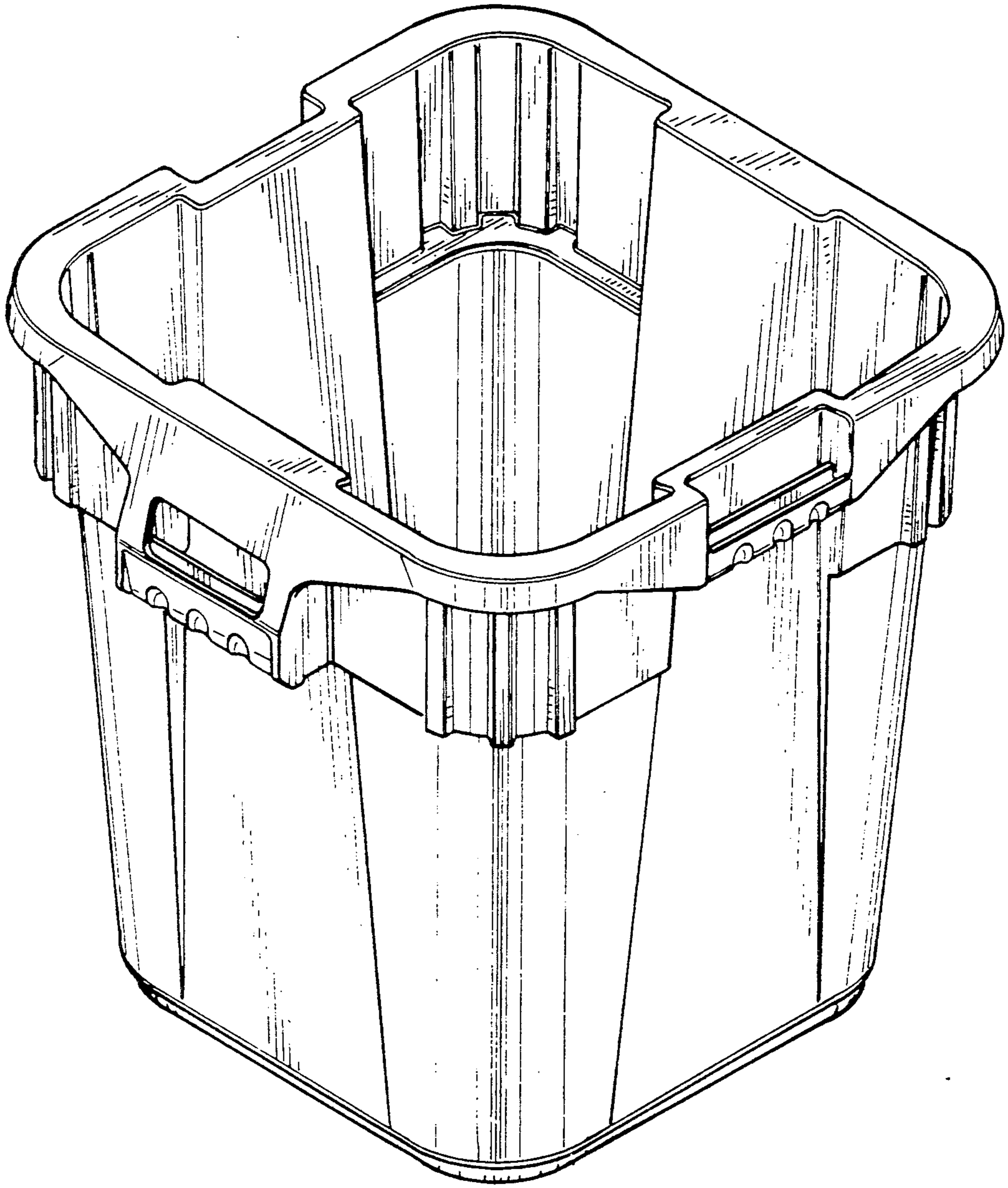


FIG. 6

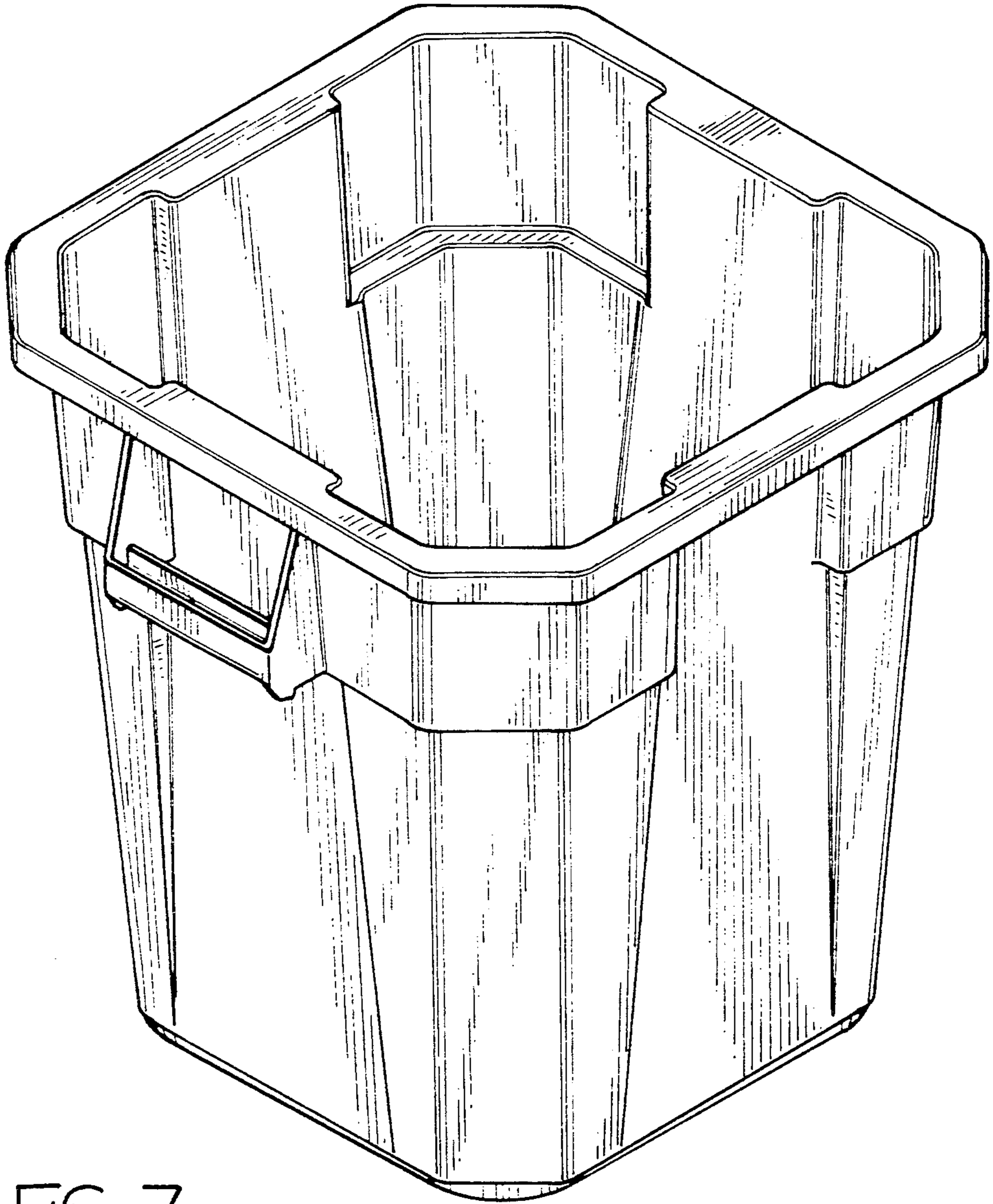


FIG. 7



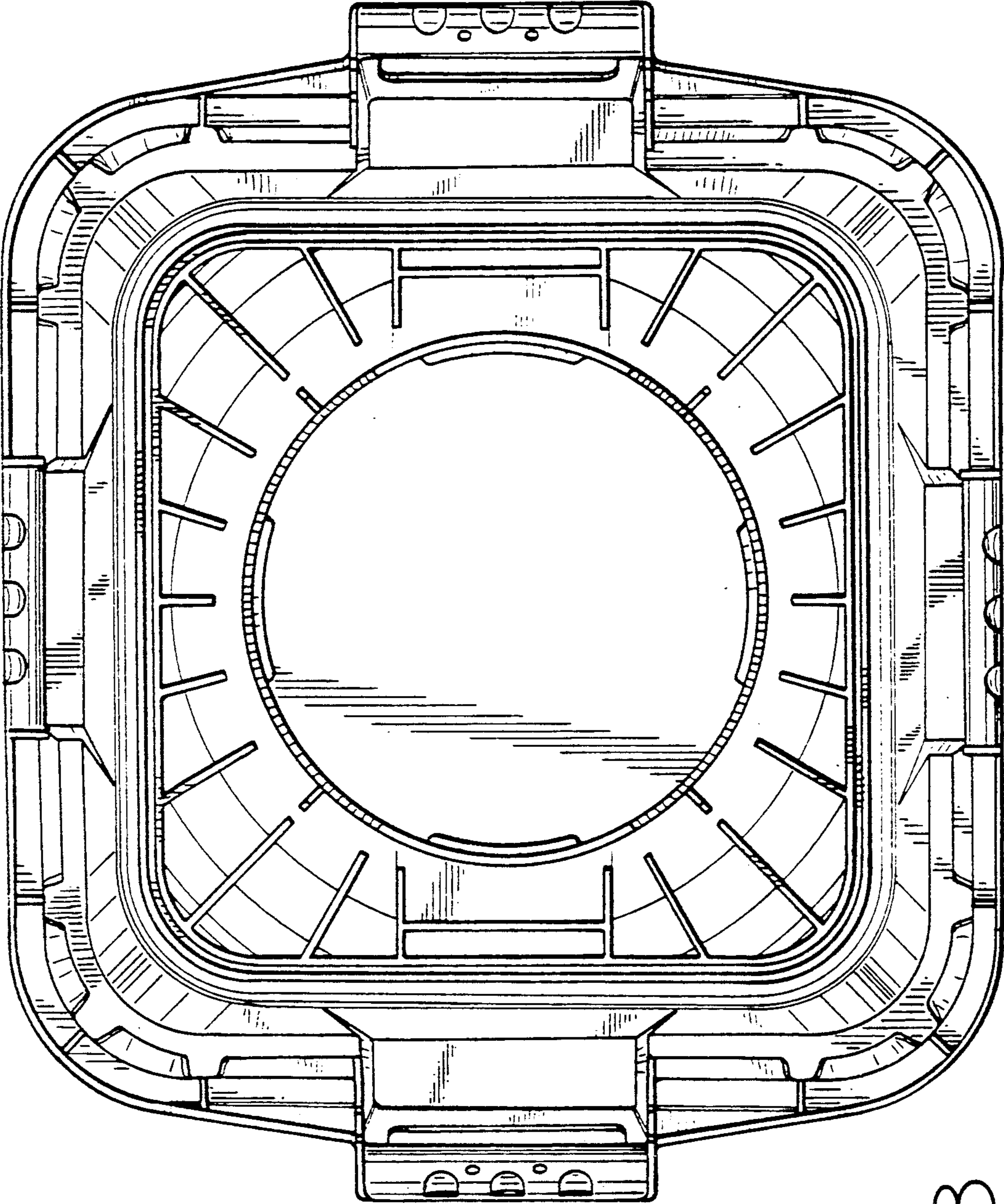


FIG. 8

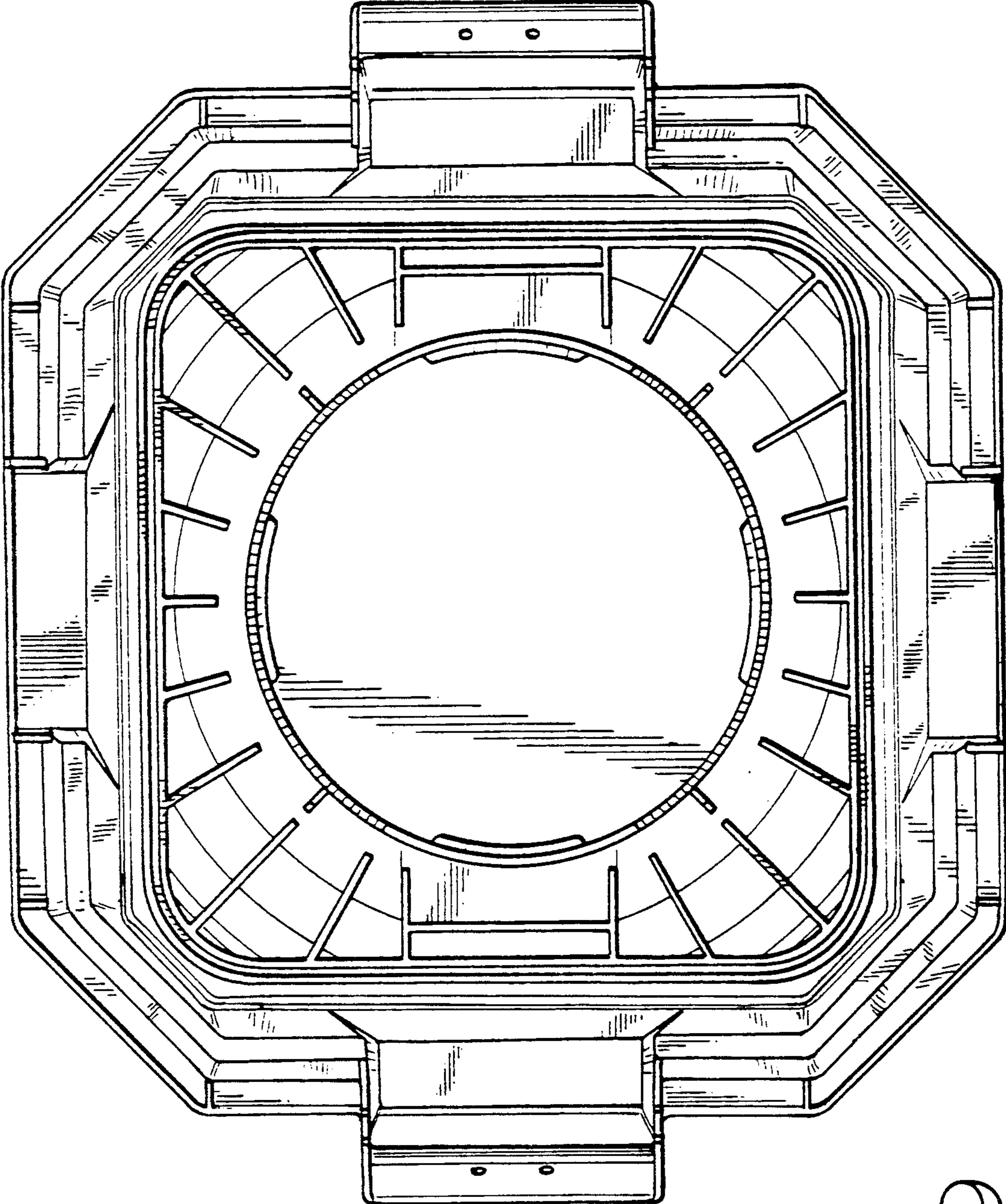


FIG. 9