



US00D327554S

United States Patent [19]

Hamada et al.

[11] Patent Number: **Des. 327,554**

[45] Date of Patent: **** Jun. 30, 1992**

- [54] **IRON**
- [75] Inventors: **Masanori Hamada, Osaka; Yasuhiko Shimizu, Hyogo, both of Japan**
- [73] Assignee: **Matsushita Electric Industrial Co., Ltd., Osaka, Japan**
- [**] Term: **14 Years**
- [21] Appl. No.: **737,540**
- [22] Filed: **Jul. 19, 1991**

- D. 294,991 3/1988 Johnson et al. D32/70
- 4,398,364 8/1983 Augustine et al. 38/77.5

OTHER PUBLICATIONS

W. Bell & Co., 1986 G.E. Iron, item No. 5, p. 402.

Primary Examiner—Wallace R. Burke
Assistant Examiner—Lavone D. Tabor
Attorney, Agent, or Firm—Sughrue, Mion, Zinn, Macpeak & Seas

[30] Foreign Application Priority Data

Feb. 6, 1991 [JP] Japan 3-3014

[52] U.S. Cl. **D32/70**

[58] Field of Search D32/68-72;
 38/69, 74-75, 77.1-77.8, 77.81-77.83, 77.9,
 79-82, 85, 88, 90, 93-94; 219/245-259

[56] References Cited

U.S. PATENT DOCUMENTS

D. 263,672 4/1982 Shalvoy D32/70

[57] CLAIM

The ornamental design for an iron, as shown.

DESCRIPTION

FIG. 1 is a front, top and right side perspective view of an iron showing our new design;
 FIG. 2 is a front elevational view thereof;
 FIG. 3 is a rear elevational view thereof;
 FIG. 4 is a top plan view thereof;
 FIG. 5 is a bottom plan view thereof;
 FIG. 6 is a left side elevational view thereof; and,
 FIG. 7 is a right side elevational view thereof.

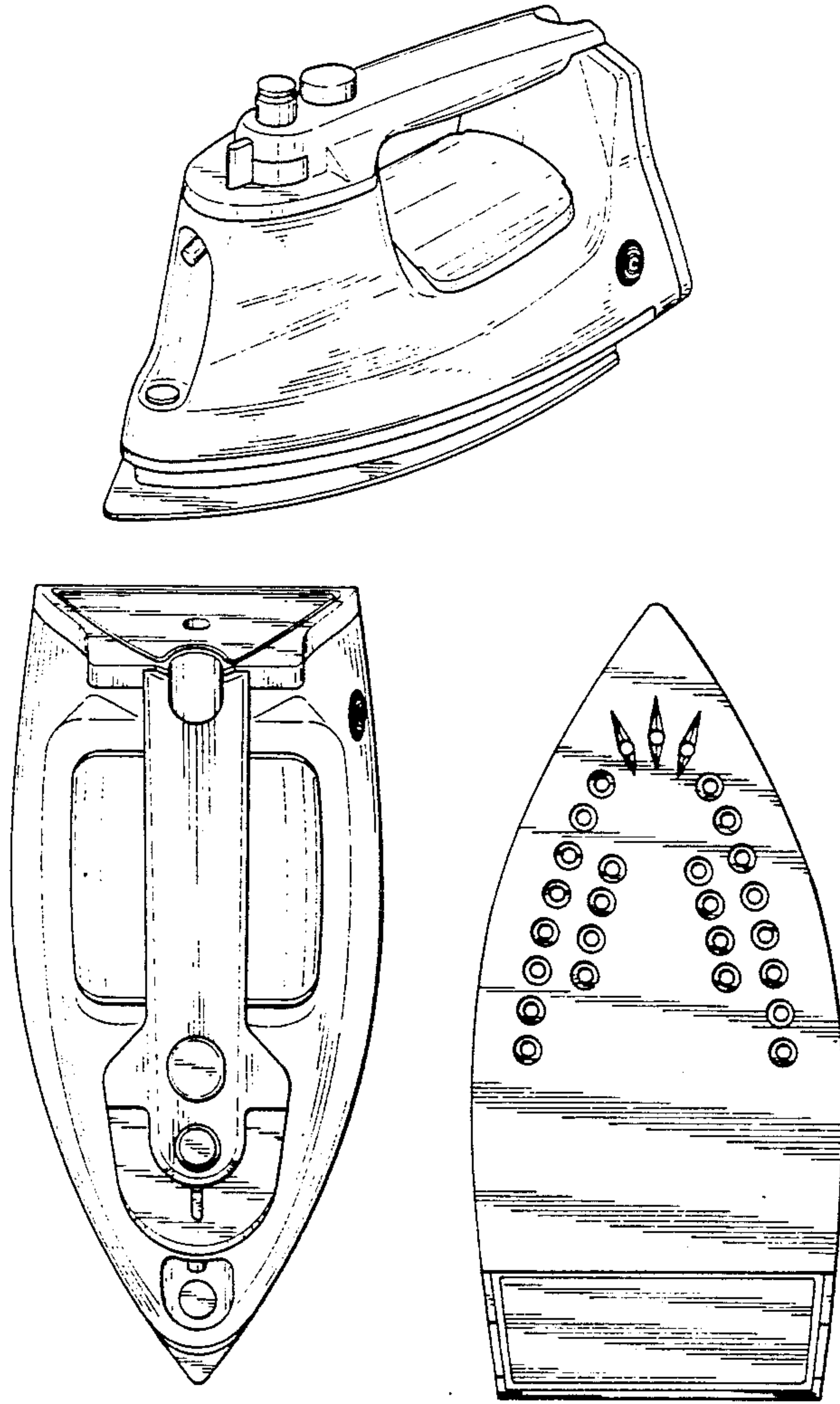


Fig. 1

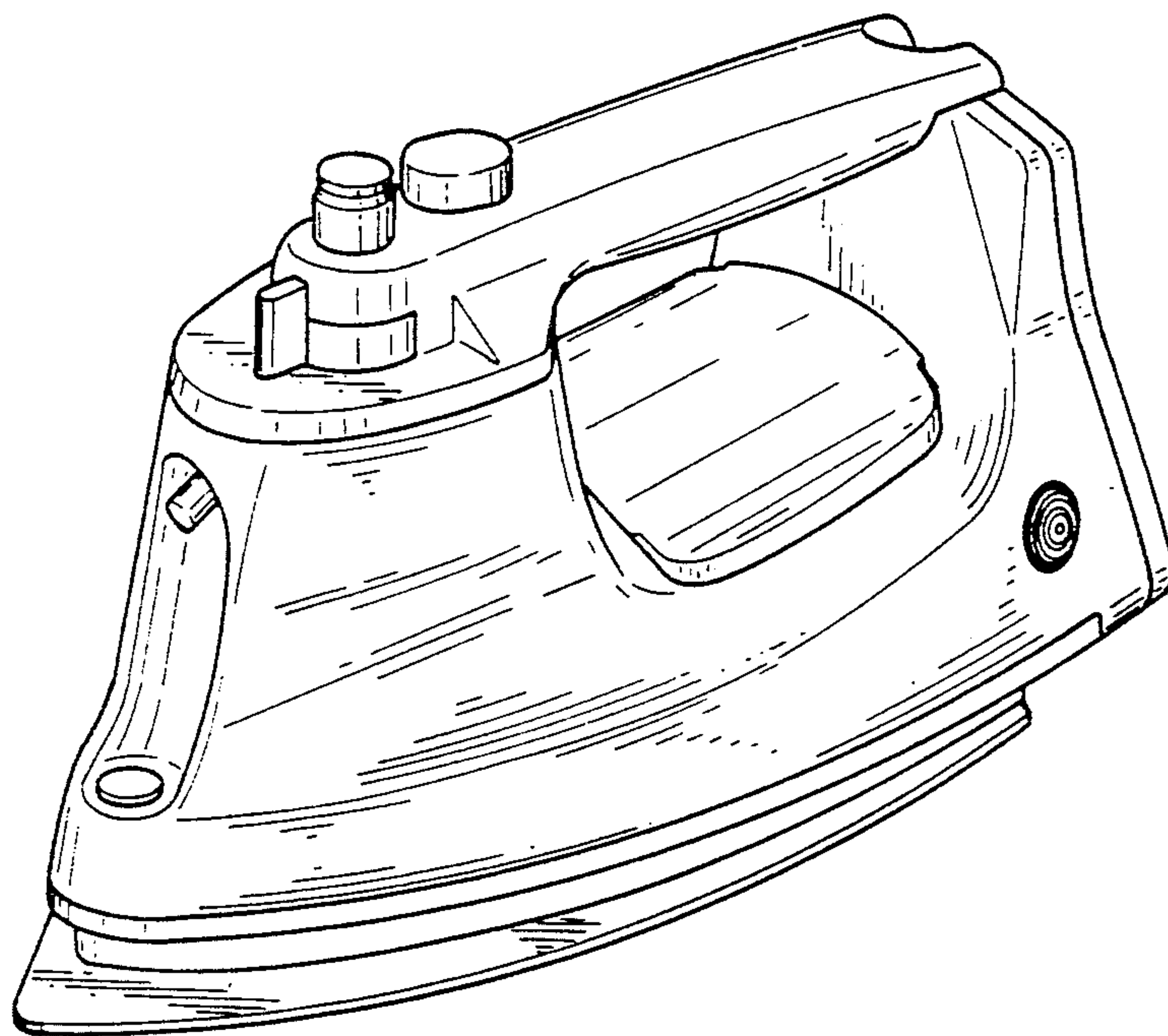


Fig. 2

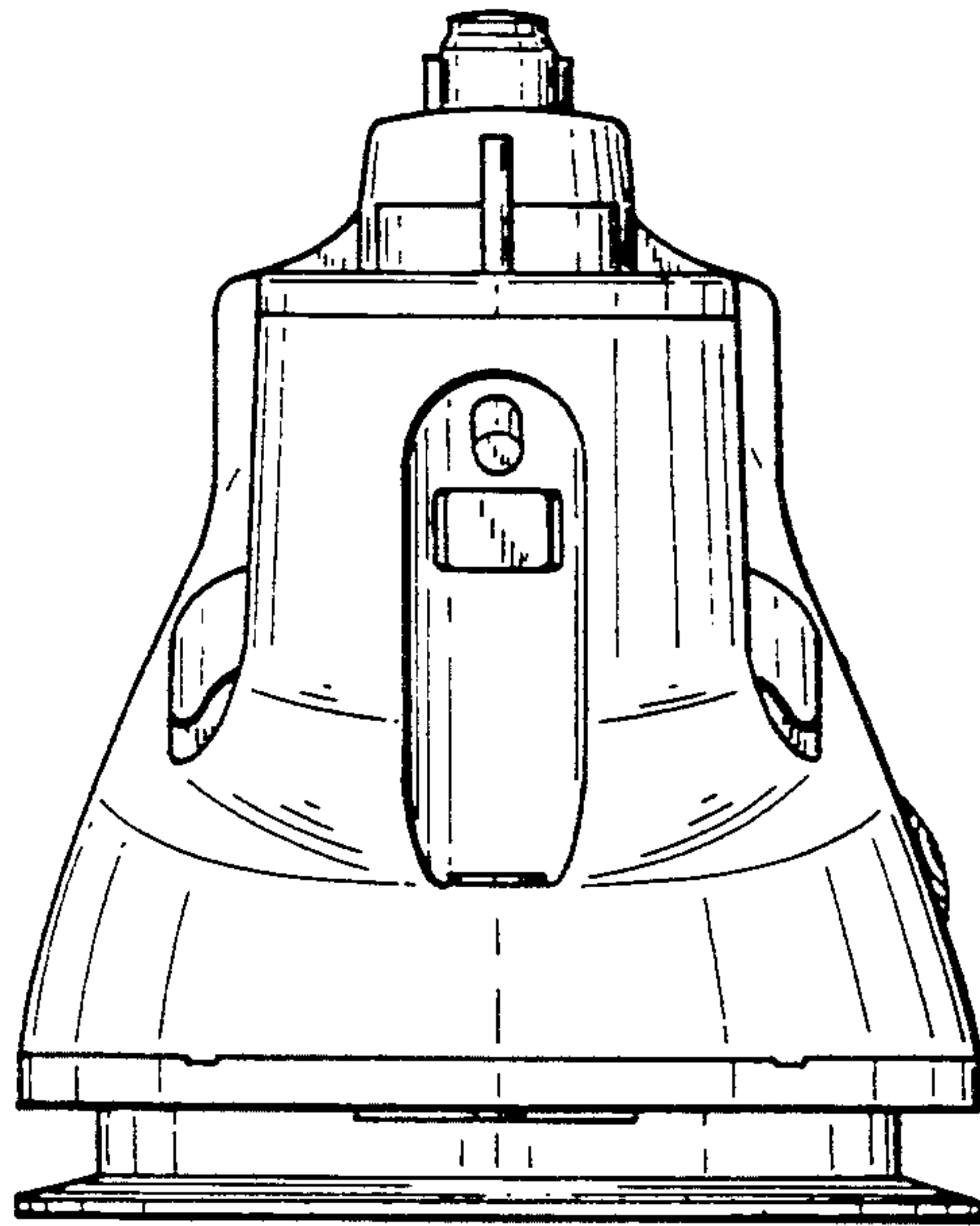


Fig. 3

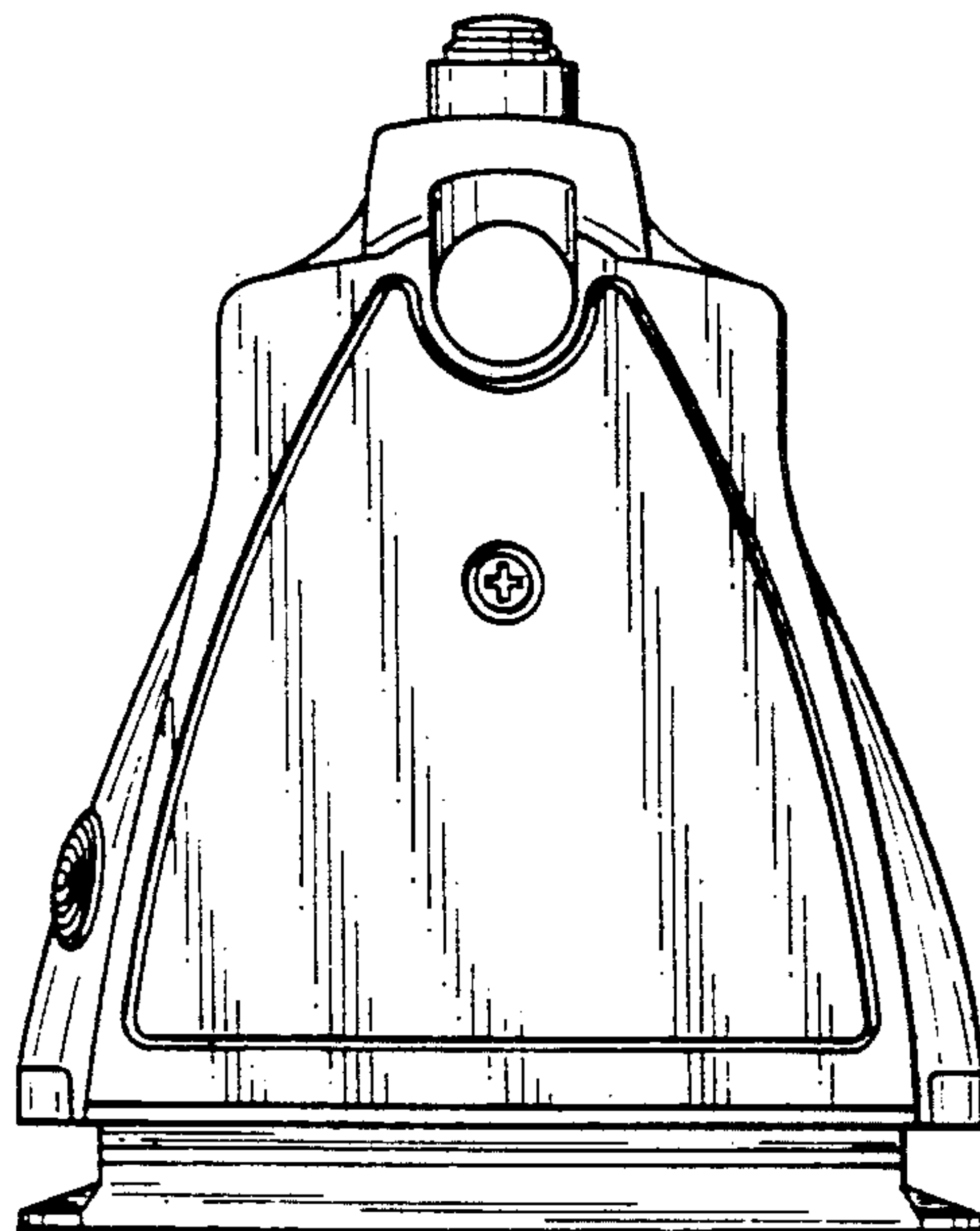


Fig. 4

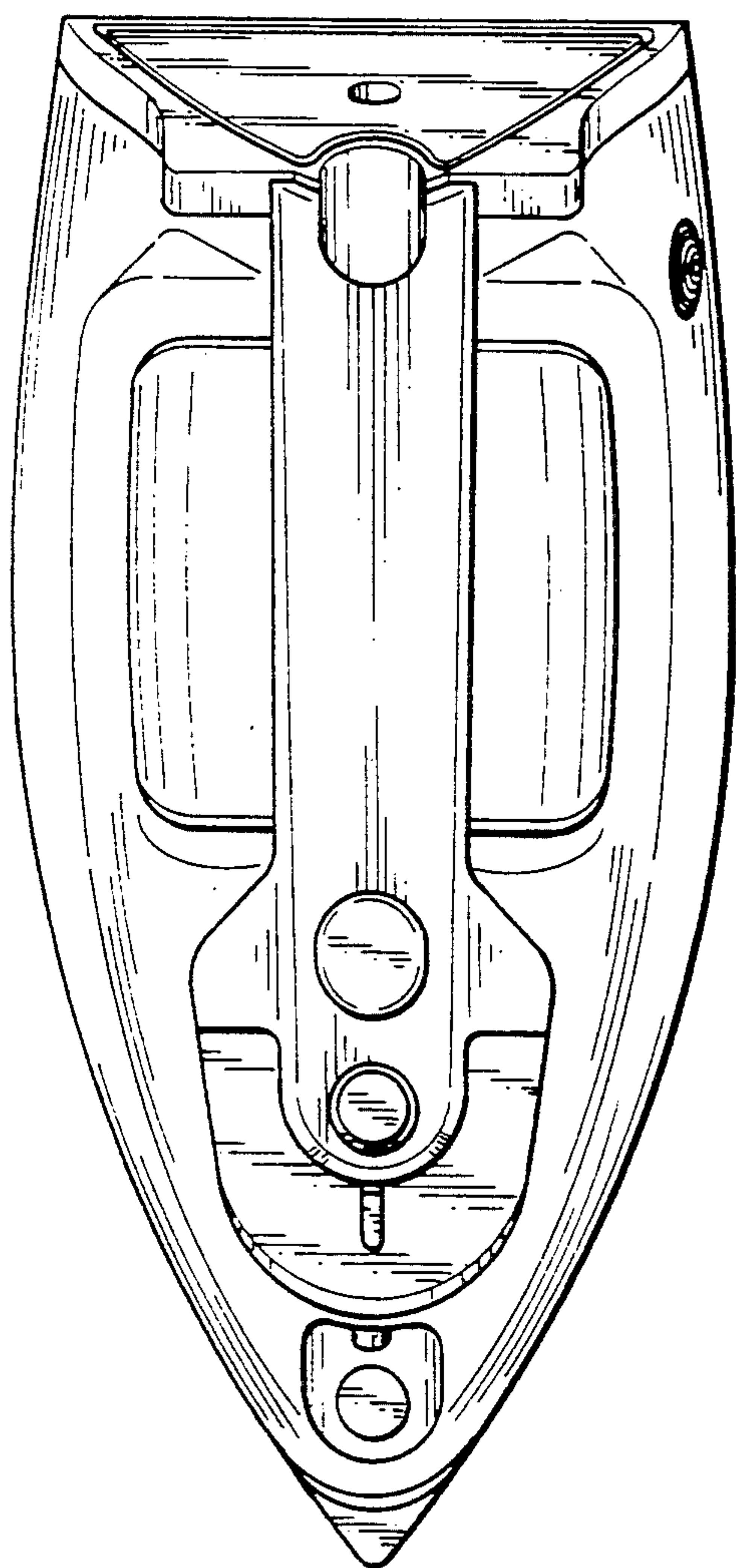


Fig. 5

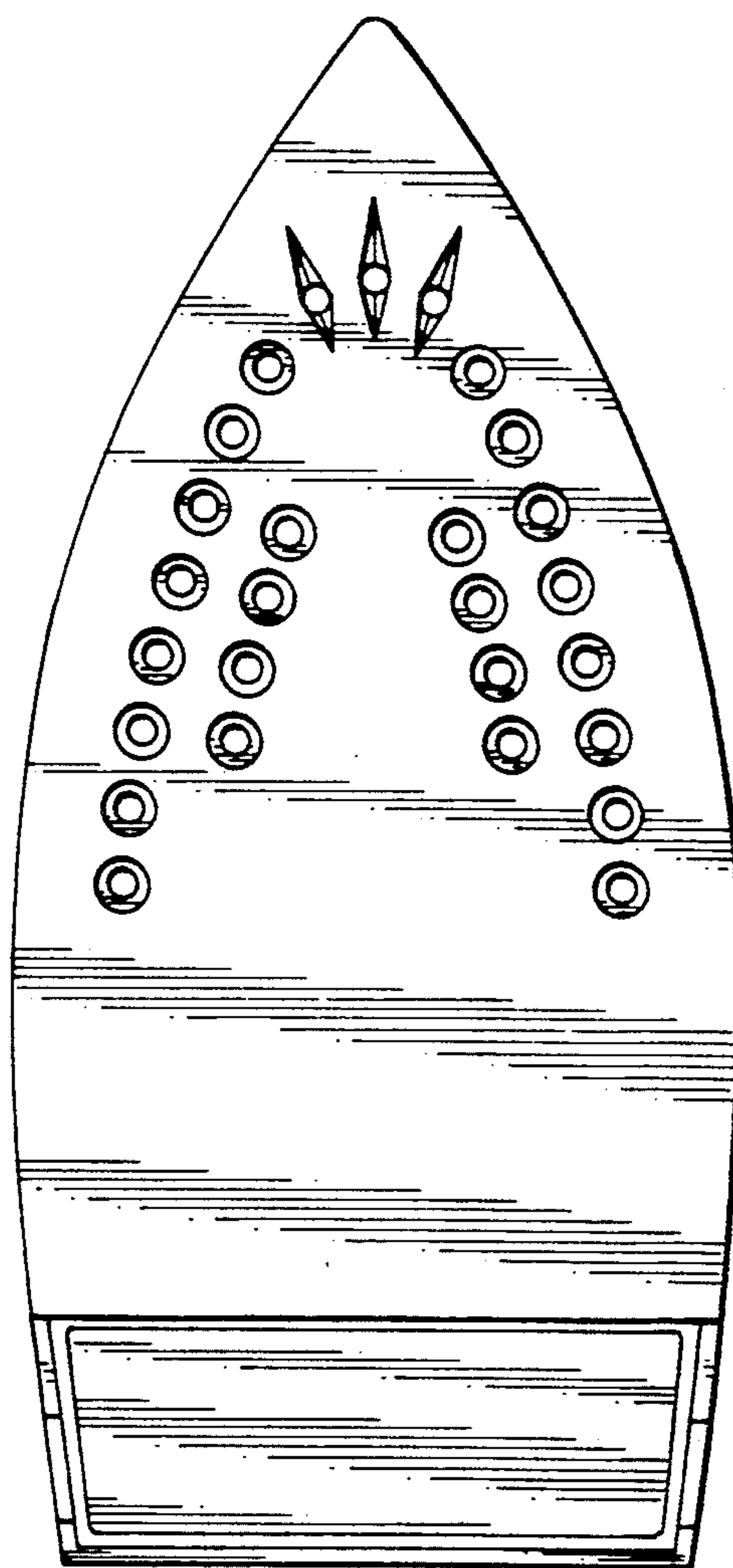


Fig. 6

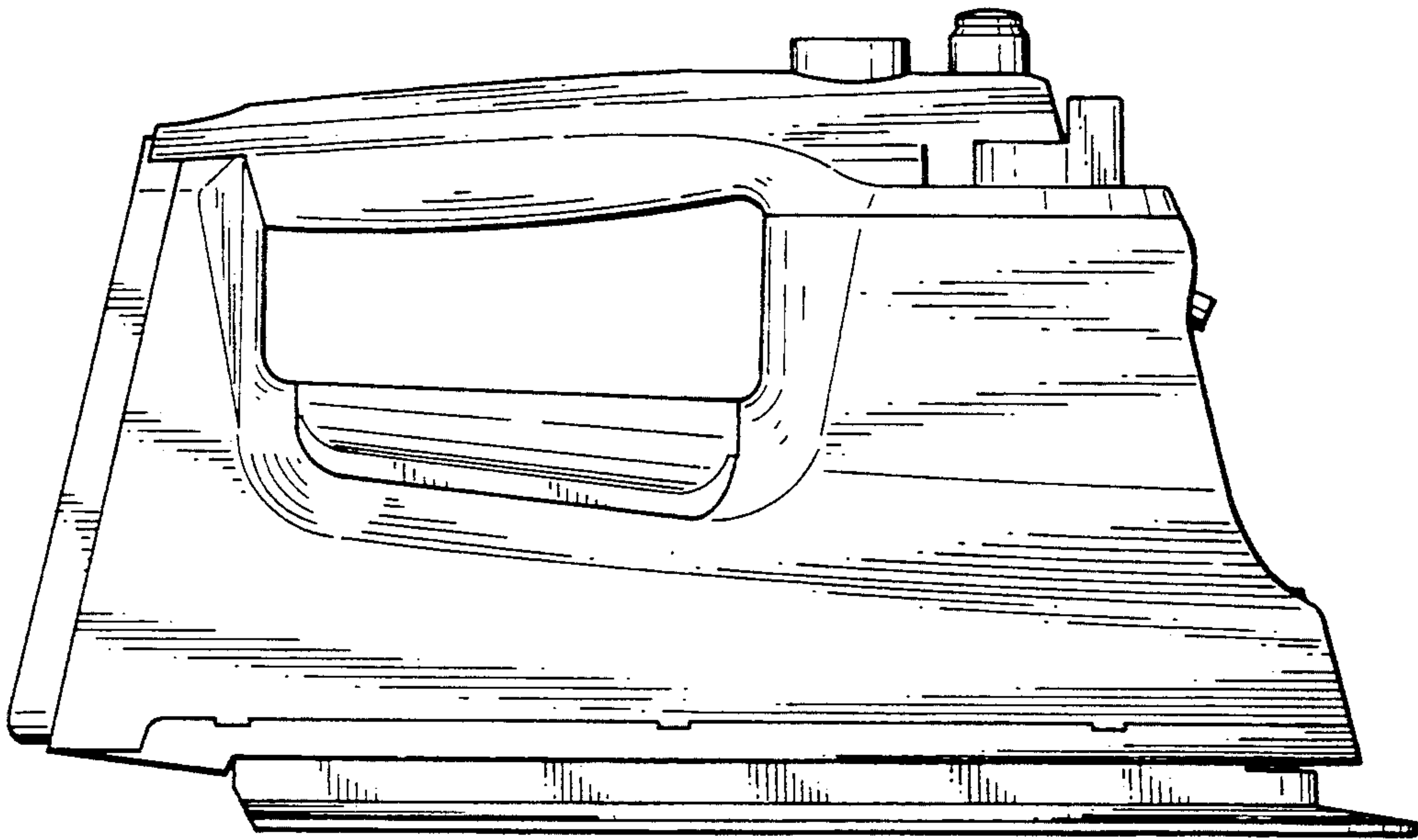


Fig. 7

