



US00D327548S

United States Patent [19]

[11] Patent Number: **Des. 327,548**

Wereley

[45] Date of Patent: **** Jun. 30, 1992**

[54] ADJUSTABLE STRAP LAMP HOLDER FOR TRACK LIGHTING FIXTURE

[75] Inventor: **Gary P. Wereley, Wheaton, Ill.**
[73] Assignee: **Juno Lighting, Inc., Des Plaines, Ill.**
[*] Notice: The portion of the term of this patent subsequent to Feb. 4, 2006 has been disclaimed.

[**] Term: **14 Years**

[21] Appl. No.: **604,419**

[22] Filed: **Oct. 29, 1990**

[52] U.S. Cl. **D26/140; D26/63**

[58] Field of Search **D26/61, 63, 64, 65, D26/66, 138, 140; 362/147, 404, 267, 275, 285, 418, 419, 427; 248/285, 286, 287**

[56] References Cited

U.S. PATENT DOCUMENTS

D. 163,812	7/1951	Mehr	D26/63
D. 313,481	1/1991	Fremont et al.	D26/63
4,727,460	2/1988	Payne	362/275 X
4,818,955	3/1989	Price	362/275

OTHER PUBLICATIONS

Marco Tracklighting Catalog, 1985, p. 20, Mini-Luminaires Arm (gr-290-Spotlight Box).

Primary Examiner—Susan J. Lucas
Attorney, Agent, or Firm—Anthony S. Zummer

[57] CLAIM

The ornamental design for an adjustable strap lamp holder for track lighting fixture, as shown and described.

DESCRIPTION

FIG. 1 is a front, right side perspective view of an adjustable strap lamp holder for track lighting fixture showing my new design;

FIG. 2. is a right side elevational view thereof;

FIG. 3 is a front elevational view thereof;

FIG. 4 is a left side elevational view thereof;

FIG. 5 is a rear elevational view thereof;

FIG. 6 is a top plan view thereof;

FIG. 7 is a bottom plan view thereof;

The lamp, lamp holder, and track mount are shown in broken lines for illustrative purposes only.

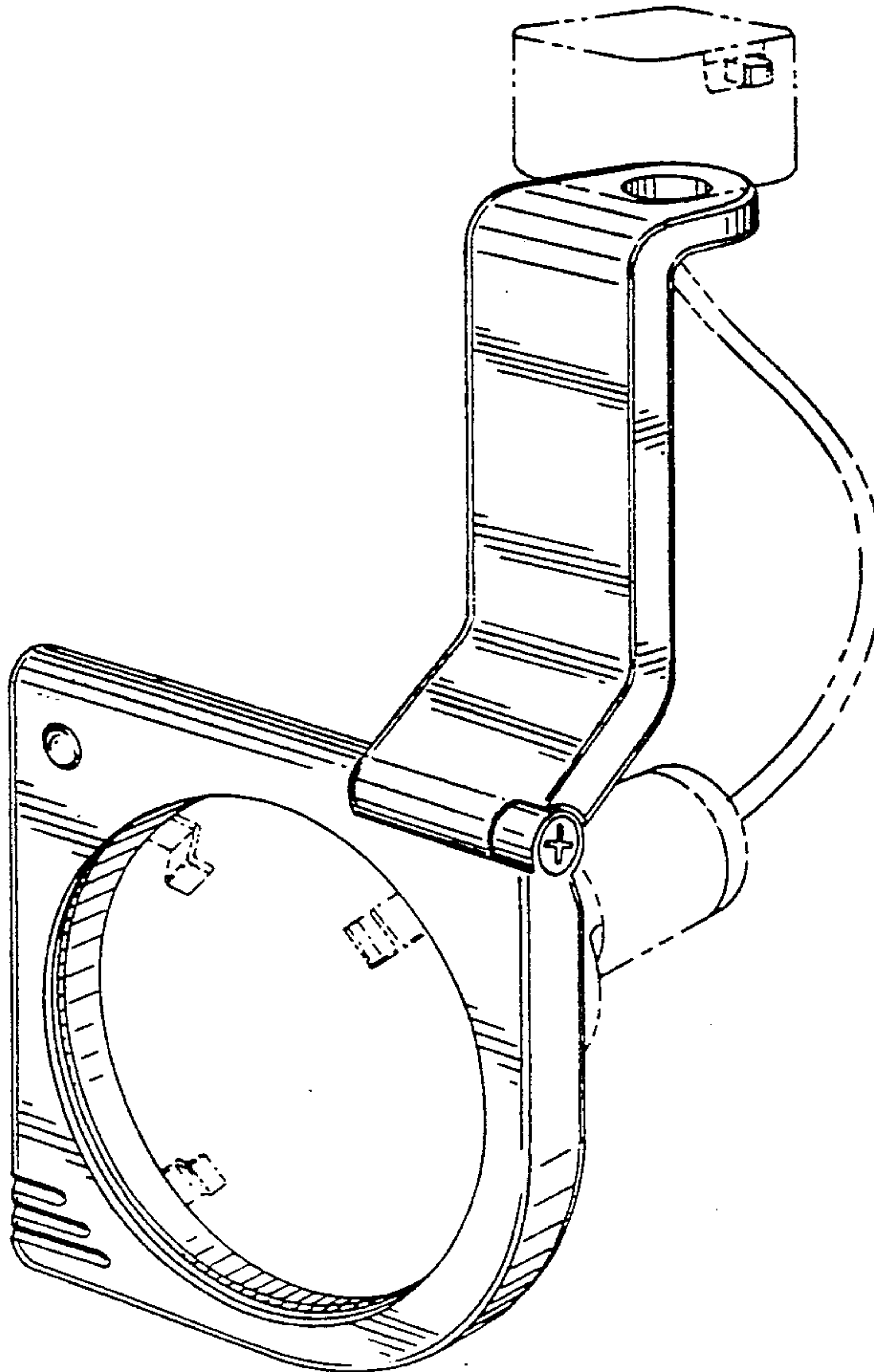


FIG-3-

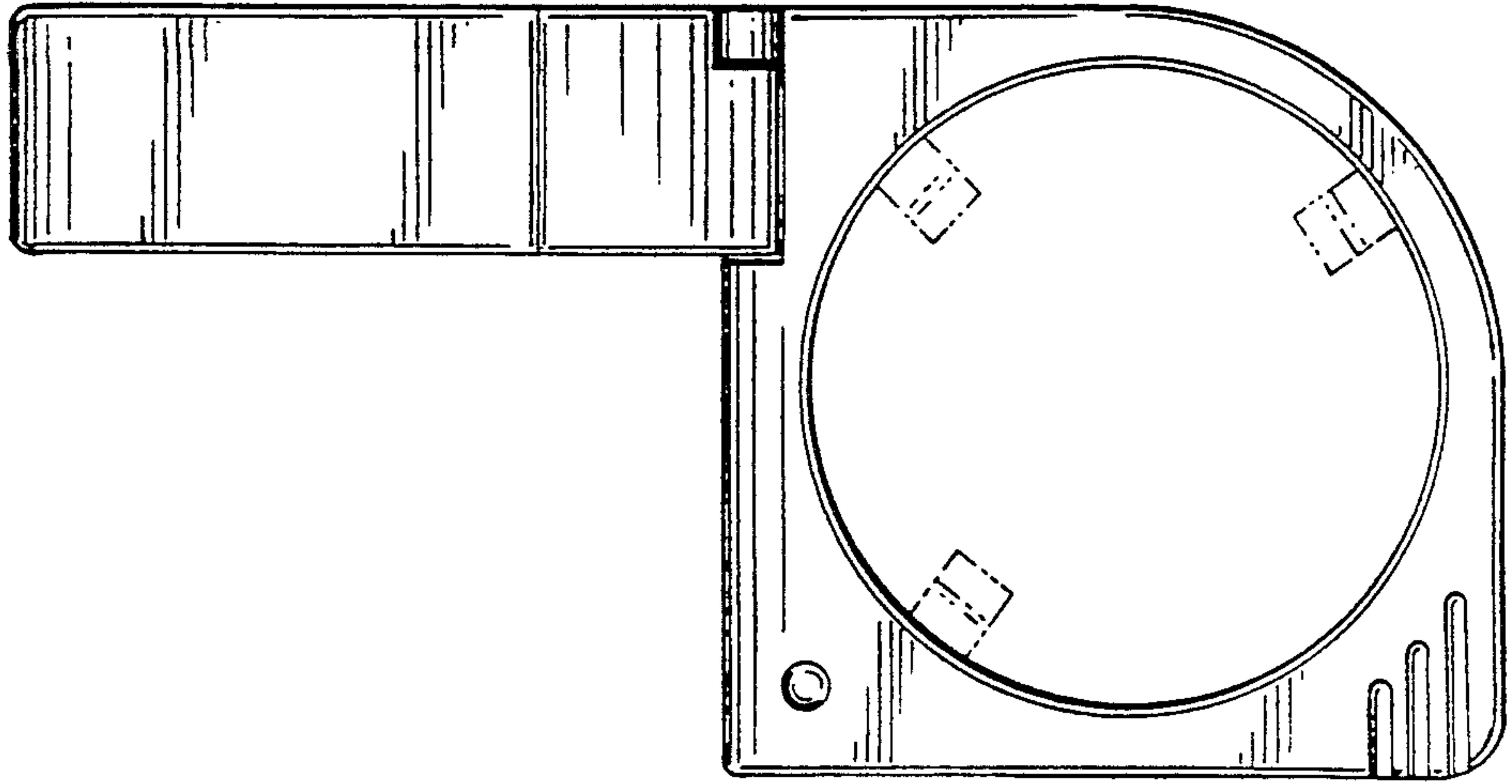


FIG-2-

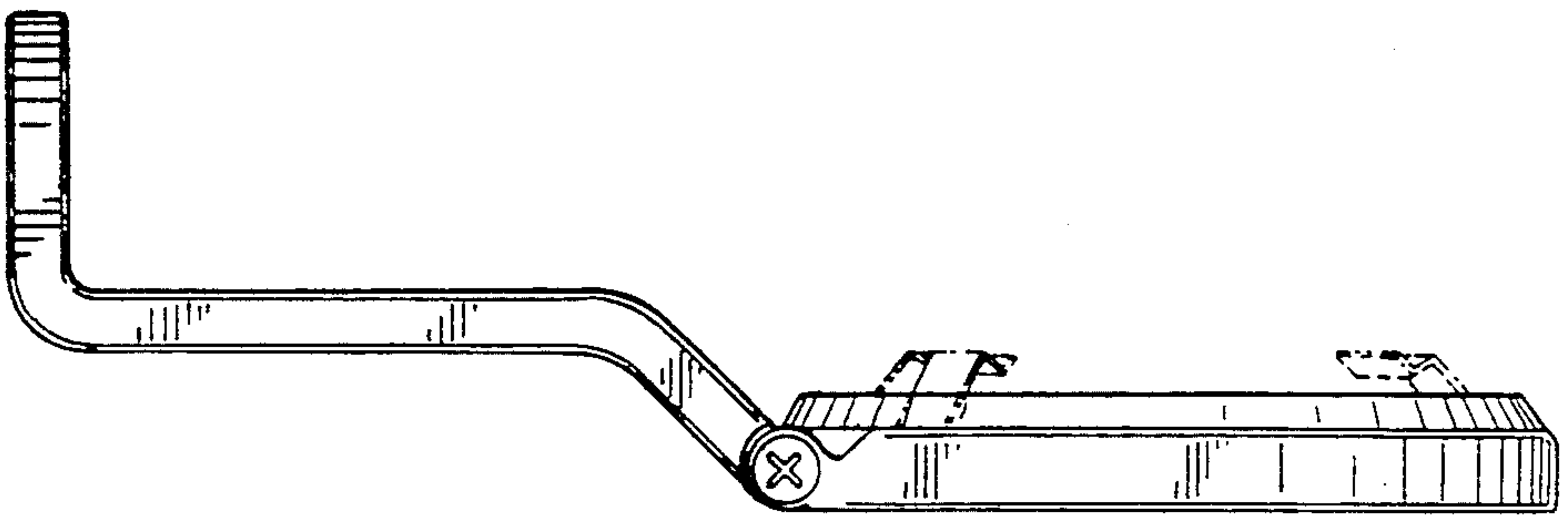


FIG-1-

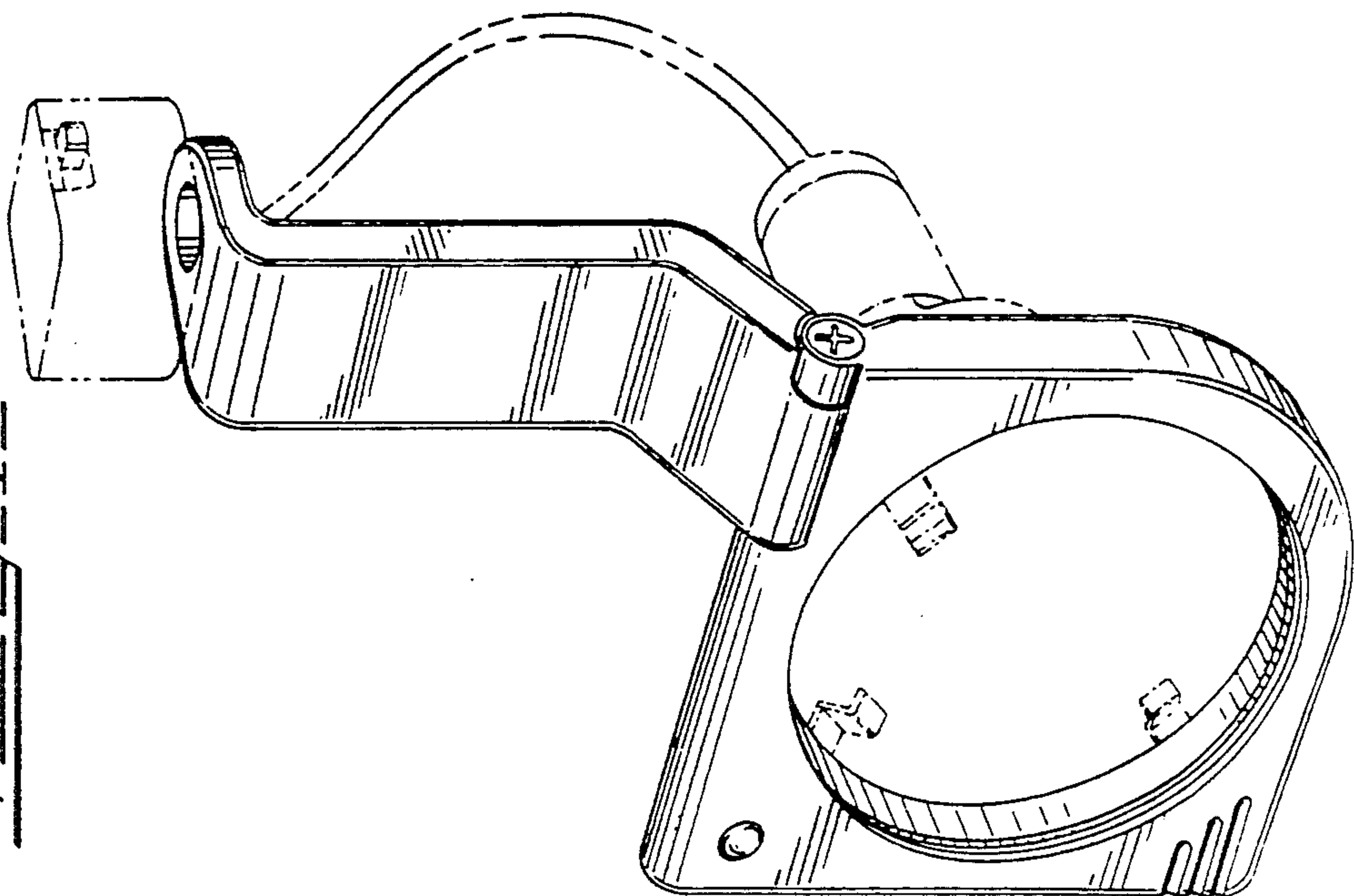


FIG-5-

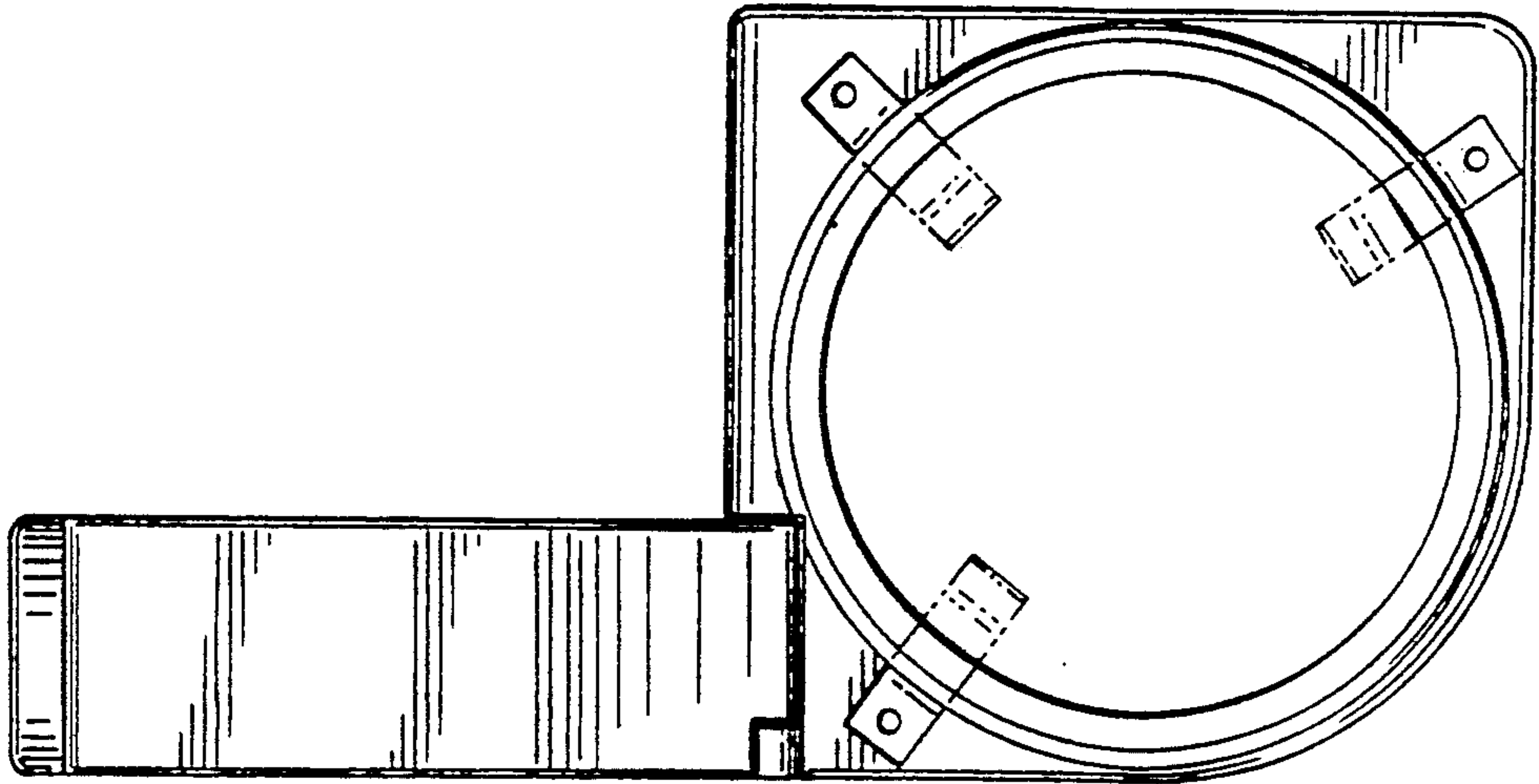


FIG-6-

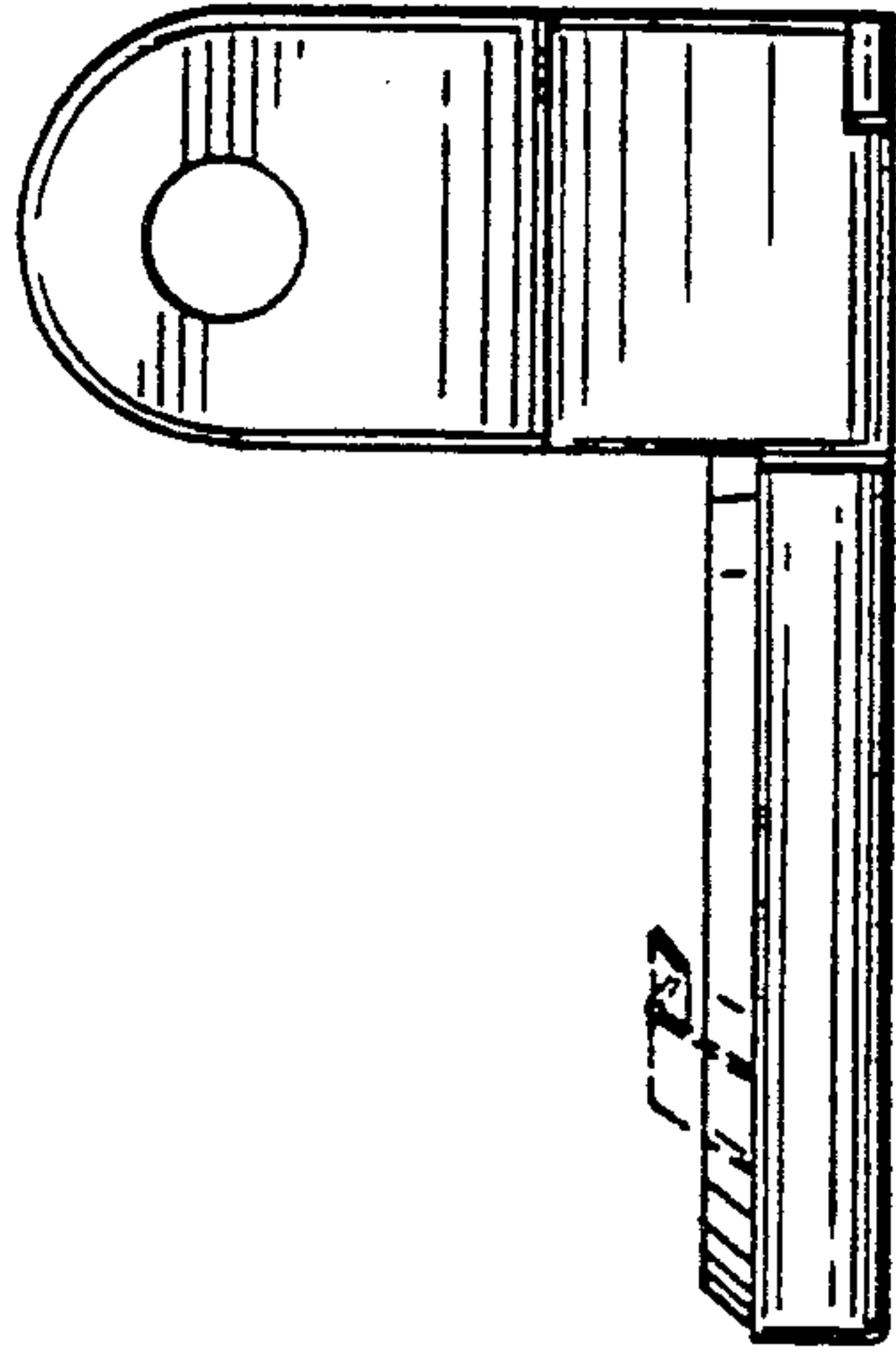


FIG-7-

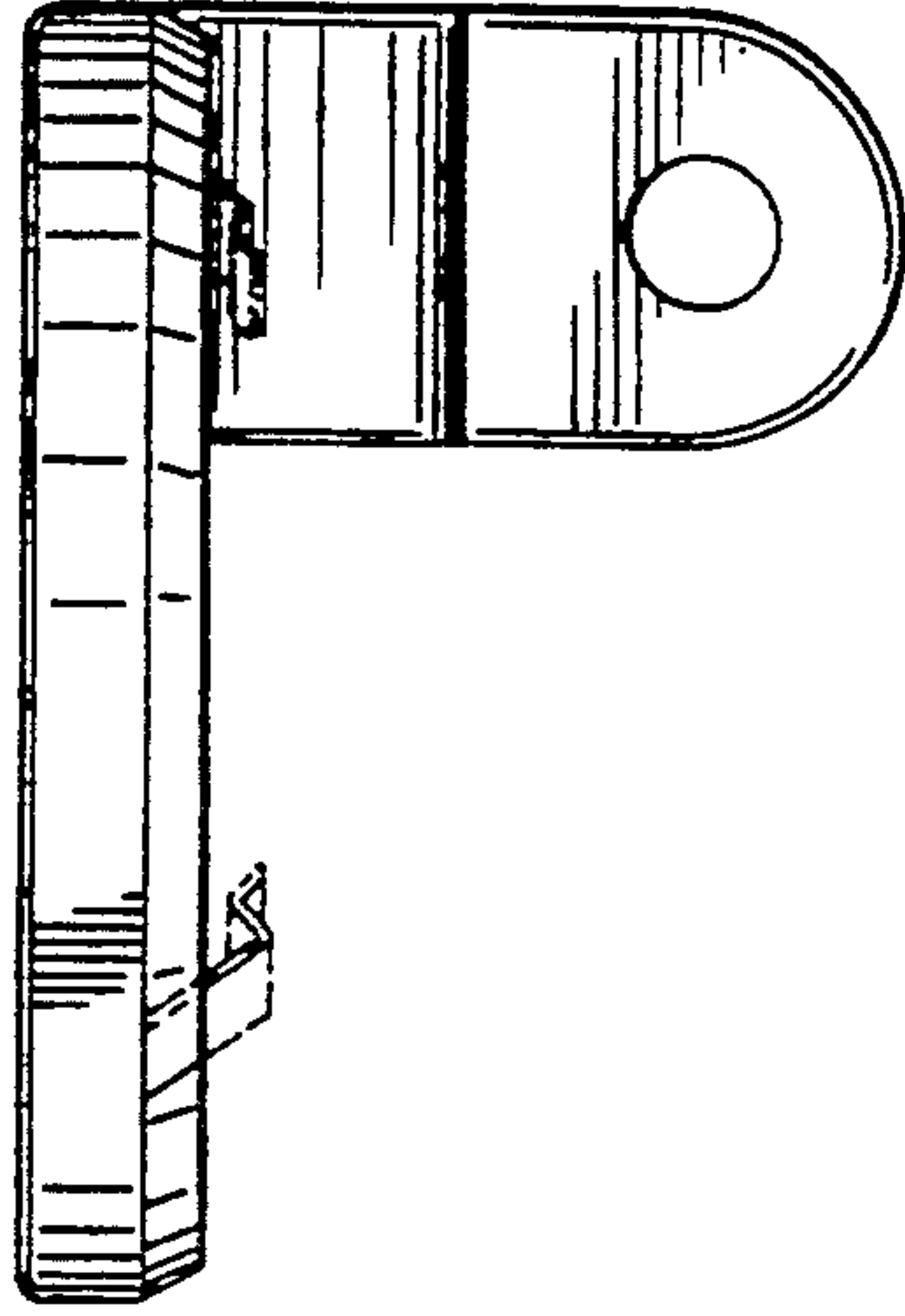


FIG-4-

