



US00D327544S

# United States Patent [19]

[11] Patent Number: **Des. 327,544**

Orozco

[45] Date of Patent: **\*\* Jun. 30, 1992**

- [54] **ADJUSTABLE LAMP**
- [75] Inventor: **Sergio Orozco**, West New York, N.J.
- [73] Assignee: **Luxo Corporation**, Trumbull, Conn.
- [\*\*] Term: **14 Years**
- [21] Appl. No.: **605,016**
- [22] Filed: **Oct. 26, 1990**
- [52] U.S. Cl. .... **D26/65**
- [58] Field of Search ..... **D26/60-66;**  
362/269, 275, 285, 401, 402, 413, 418, 419, 427

*Primary Examiner*—Susan J. Lucas  
*Attorney, Agent, or Firm*—Fitzpatrick, Cella, Harper & Scinto

### [57] CLAIM

The ornamental design for adjustable lamp, as shown and described.

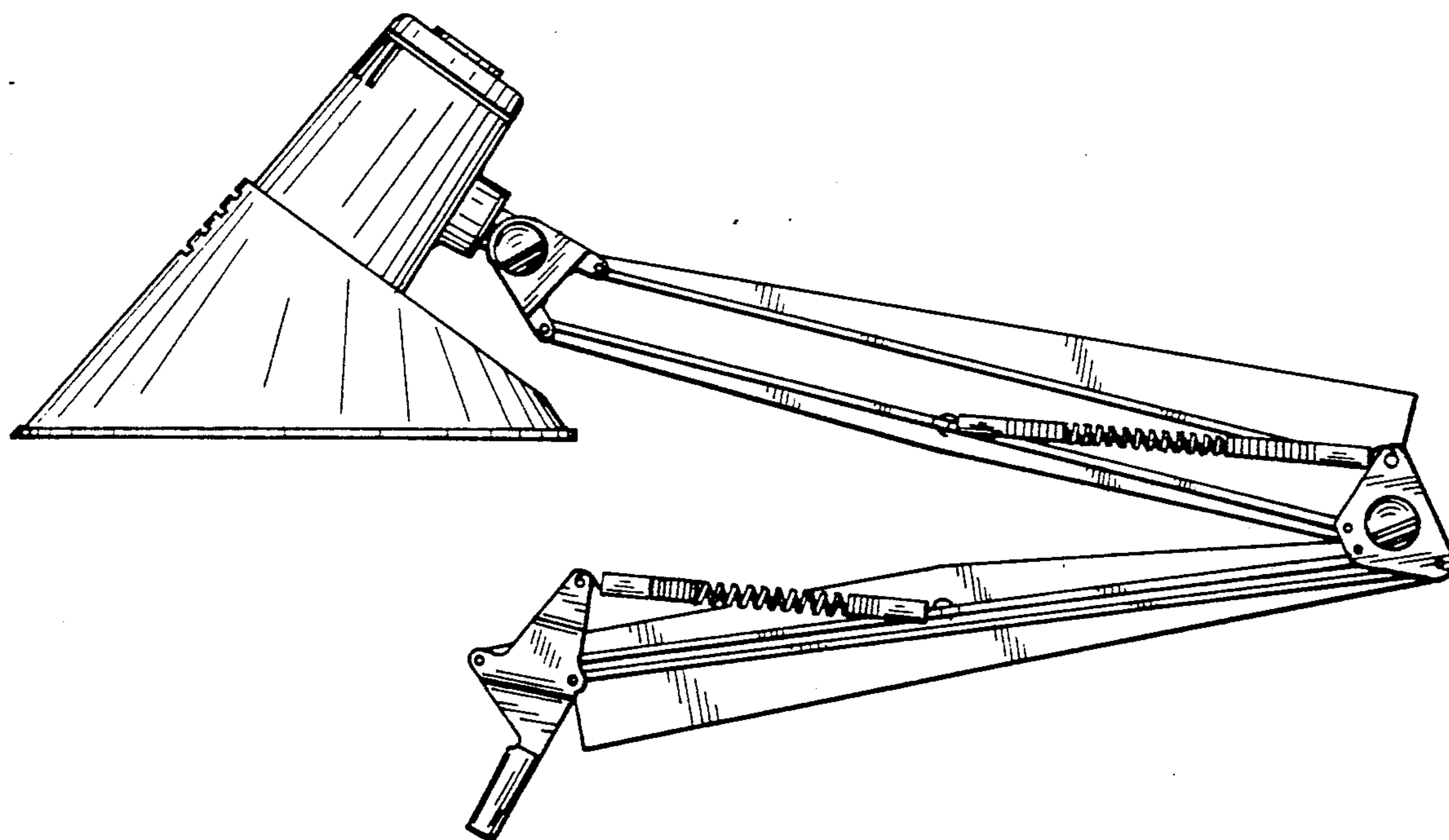
### DESCRIPTION

FIG. 1 is a front elevational view of an adjustable lamp showing my new design;  
 FIG. 2 is a right side elevational view thereof;  
 FIG. 3 is a left side elevational view thereof;  
 FIG. 4 is a rear elevational view thereof;  
 FIG. 5 is a fragmentary bottom plan view thereof;  
 FIG. 6 is a fragmentary top plan view thereof; and,  
 FIG. 7 is a fragmentary top, rear view thereof.  
 The support arm is fragmentarily shown in FIGS. 5 and 7 and omitted from FIG. 6 for convenience of illustration.

### [56] References Cited

#### U.S. PATENT DOCUMENTS

D. 302,866	8/1989	Delucchi	.....	D26/65
D. 310,886	9/1990	Gismondi et al.	.....	D26/65
3,543,019	11/1970	Jacobsen	.....	362/402
4,080,530	3/1978	Krogsrud	.....	362/427 X
4,213,172	7/1980	Scattolin et al.	.....	362/413



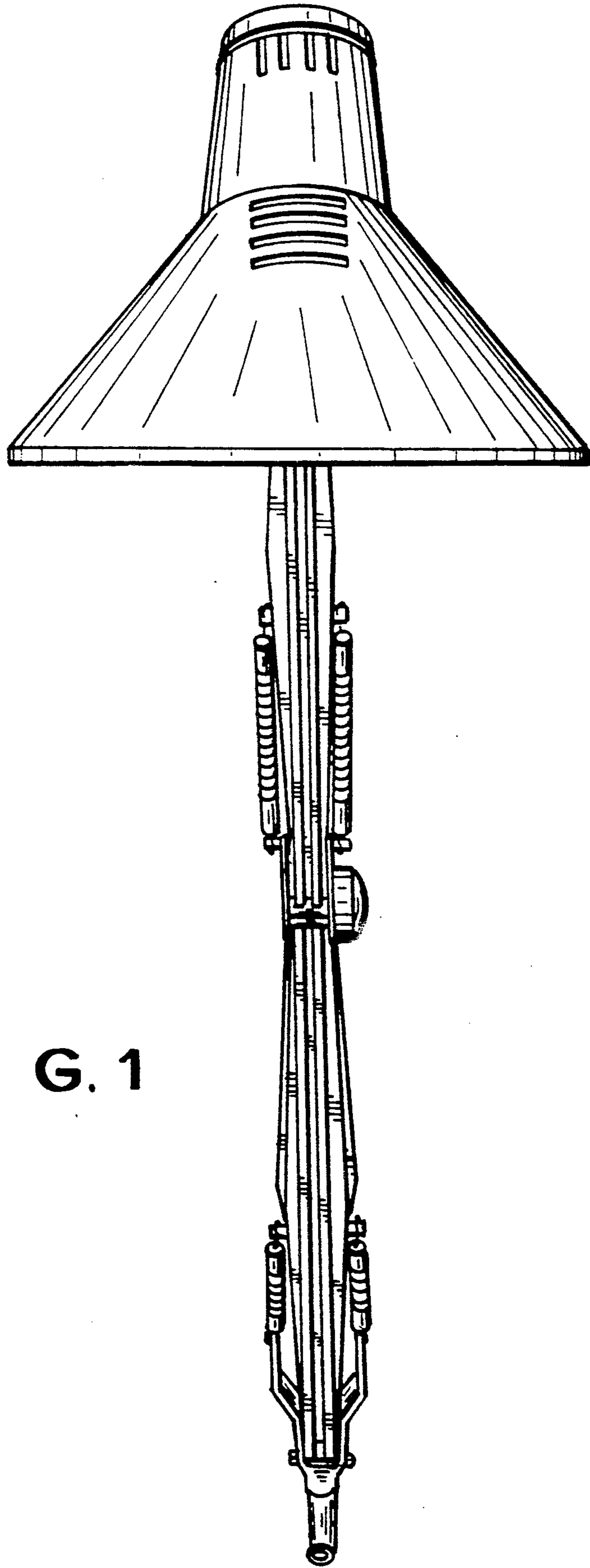


FIG. 1

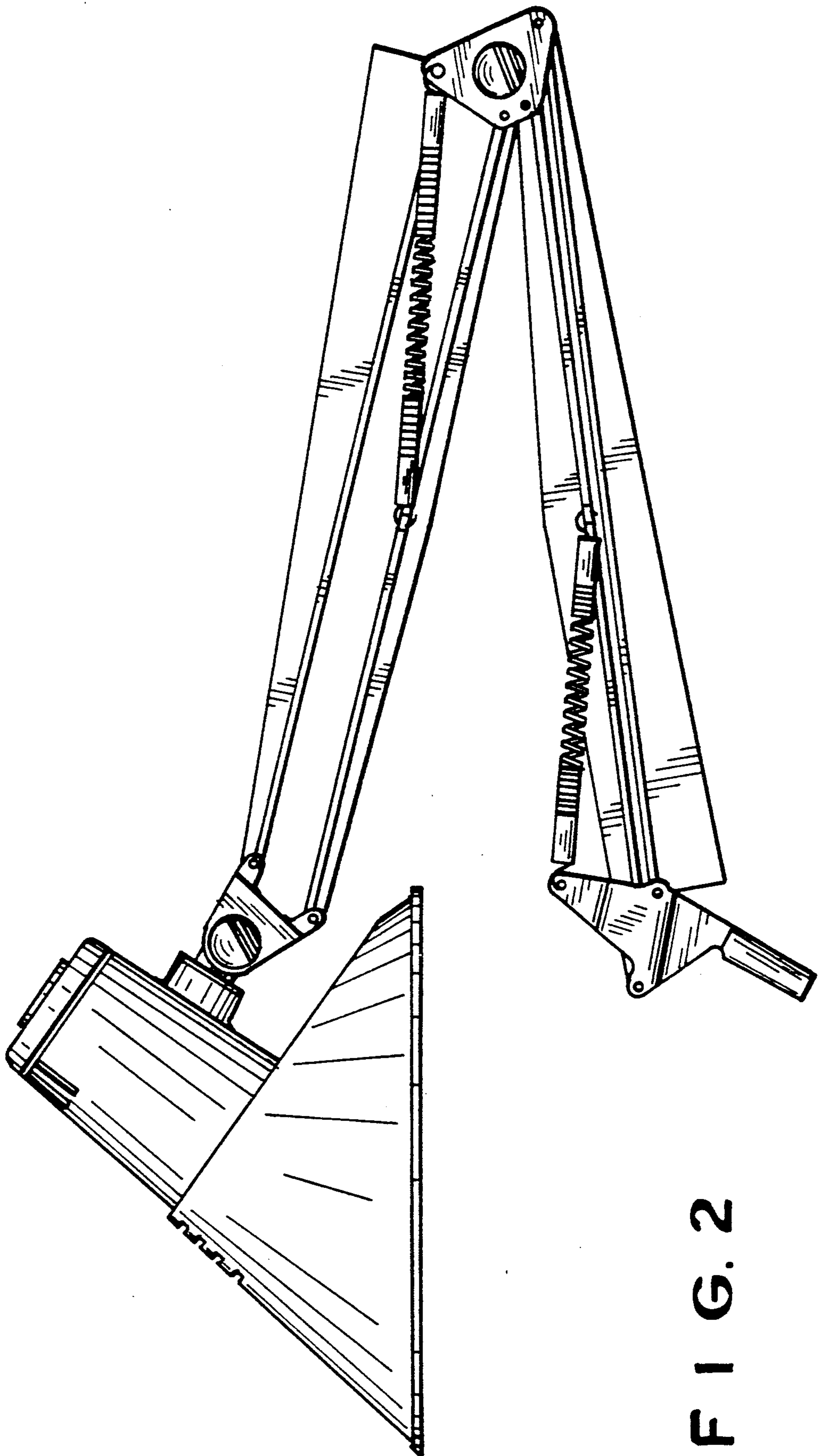


FIG. 2

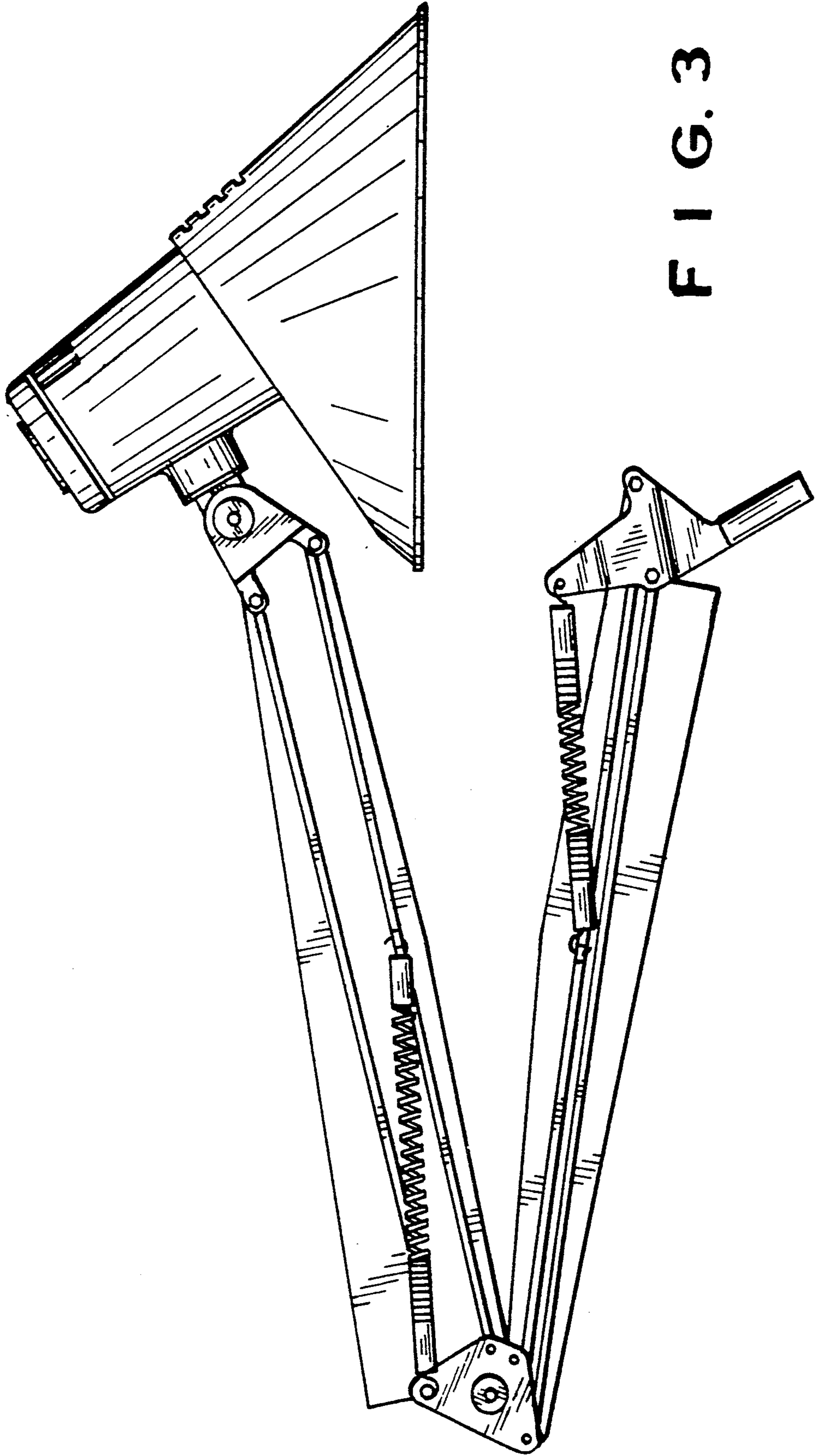
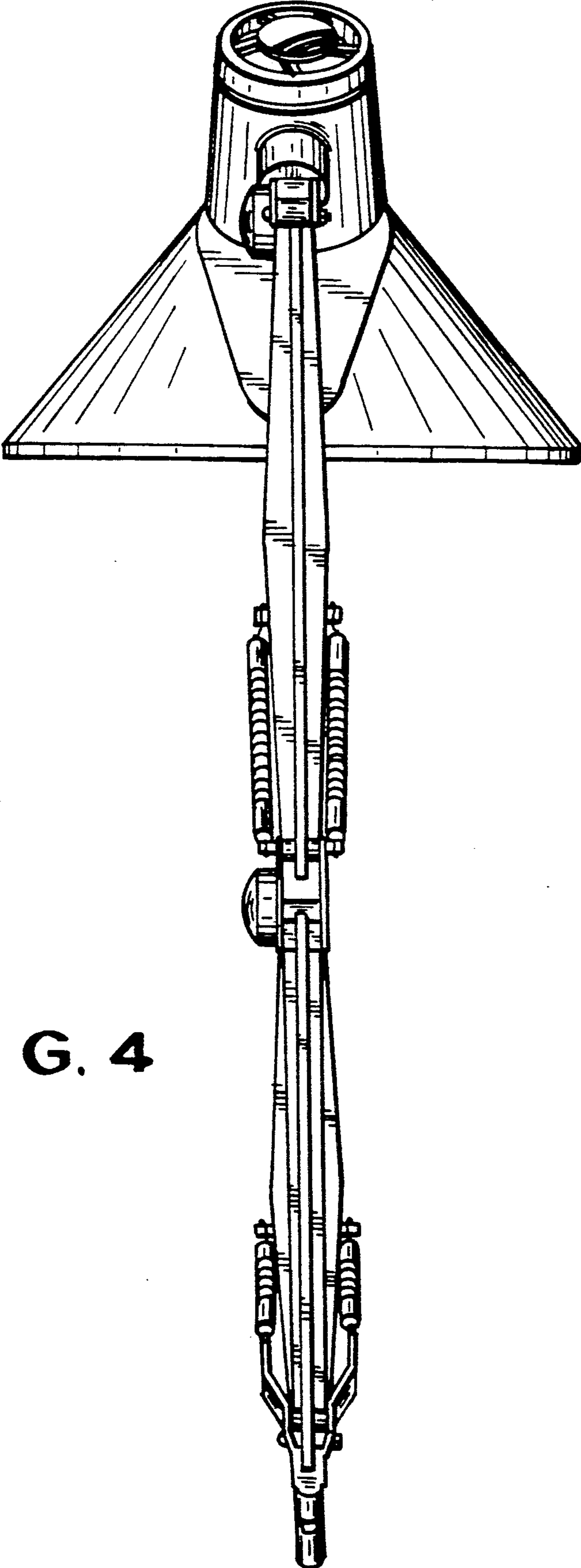


FIG. 3



**FIG. 4**

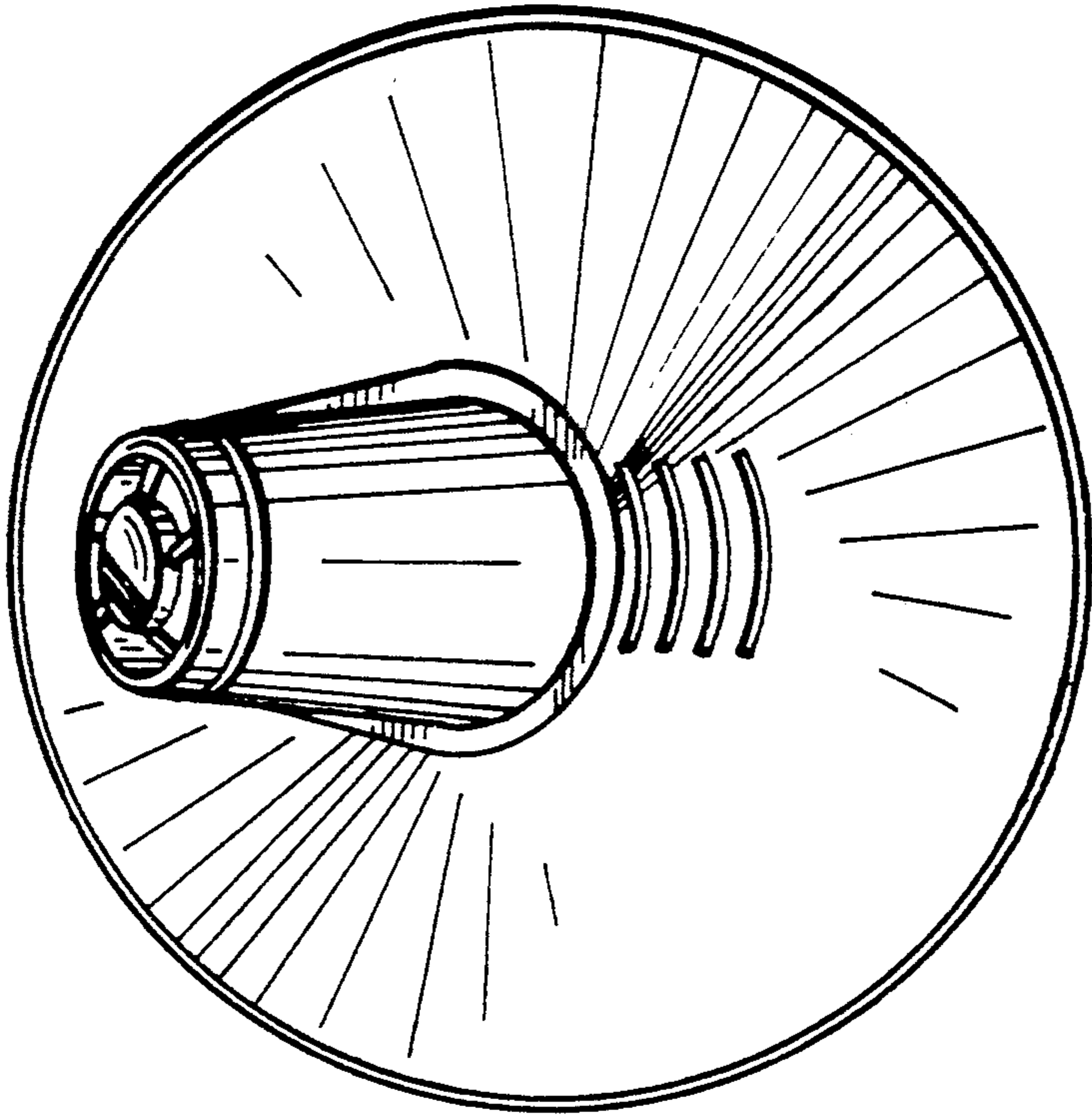


FIG. 6

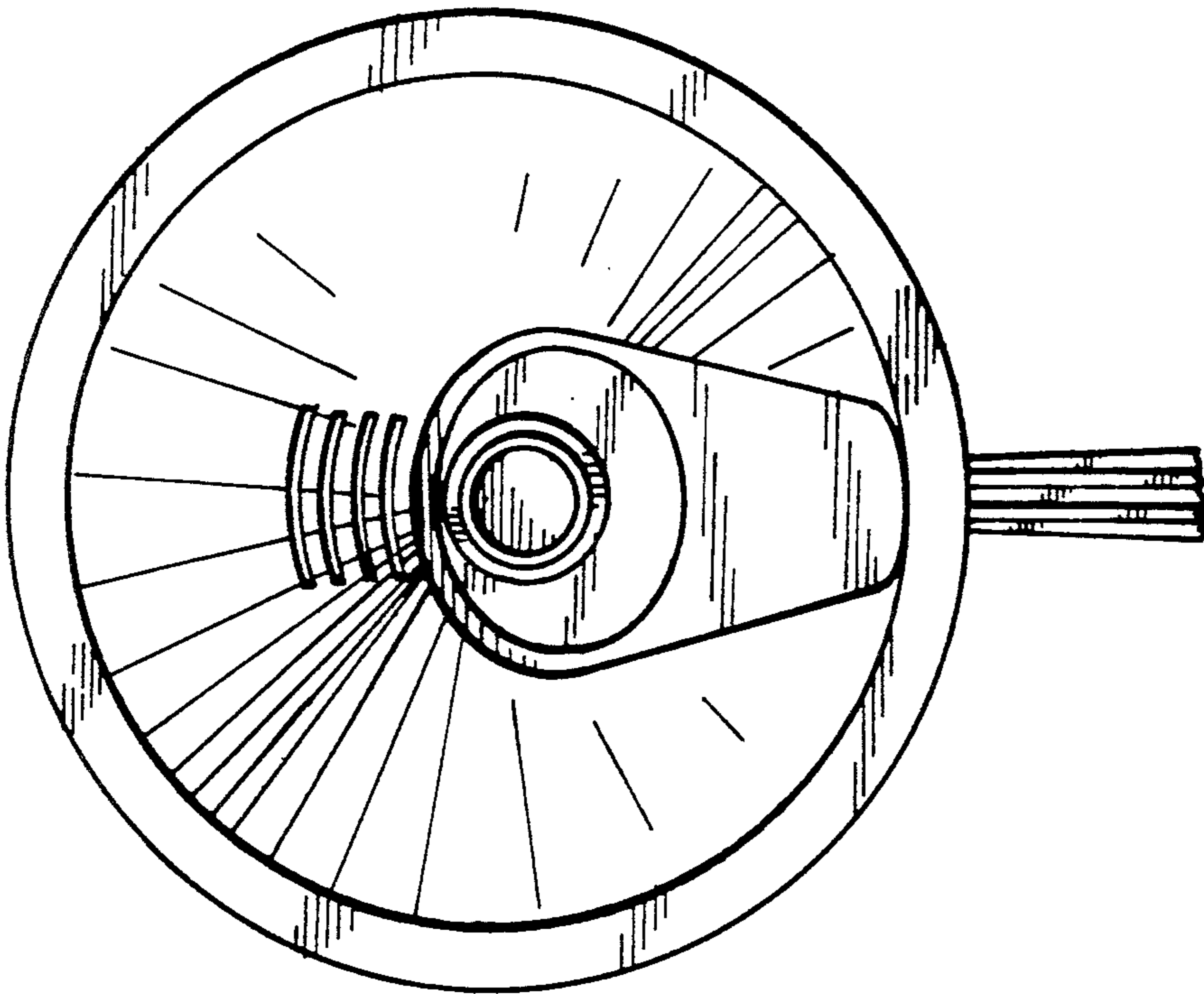


FIG. 5

FIG. 7

