



US00D327542S

# United States Patent [19]

Janson et al.

[11] Patent Number: **Des. 327,542**

[45] Date of Patent: **\*\* Jun. 30, 1992**

[54] **DIAPER**

[76] Inventors: **Sue Janson**, Lockington Road, Bamawn, Victoria; **Dana Pendlebury**, 1a Coleman Crescent, Rosebud West, Victoria, both of Australia

[\*\*] Term: **14 Years**

[21] Appl. No.: **391,373**

[22] Filed: **Aug. 8, 1989**

[30] **Foreign Application Priority Data**

May 1, 1989 [AU] Australia ..... 1334/89

[52] U.S. Cl. .... **D24/126**

[58] Field of Search ..... D24/124, 125, 126; 604/358, 361, 378, 385.1, 385.2, 386, 387, 389-398, 400-402

[56] **References Cited**

**U.S. PATENT DOCUMENTS**

728,432 5/1903 Asplund ..... 604/358  
2,256,510 9/1941 Young ..... D24/126 X  
2,691,983 10/1954 Bernard ..... D24/126 X

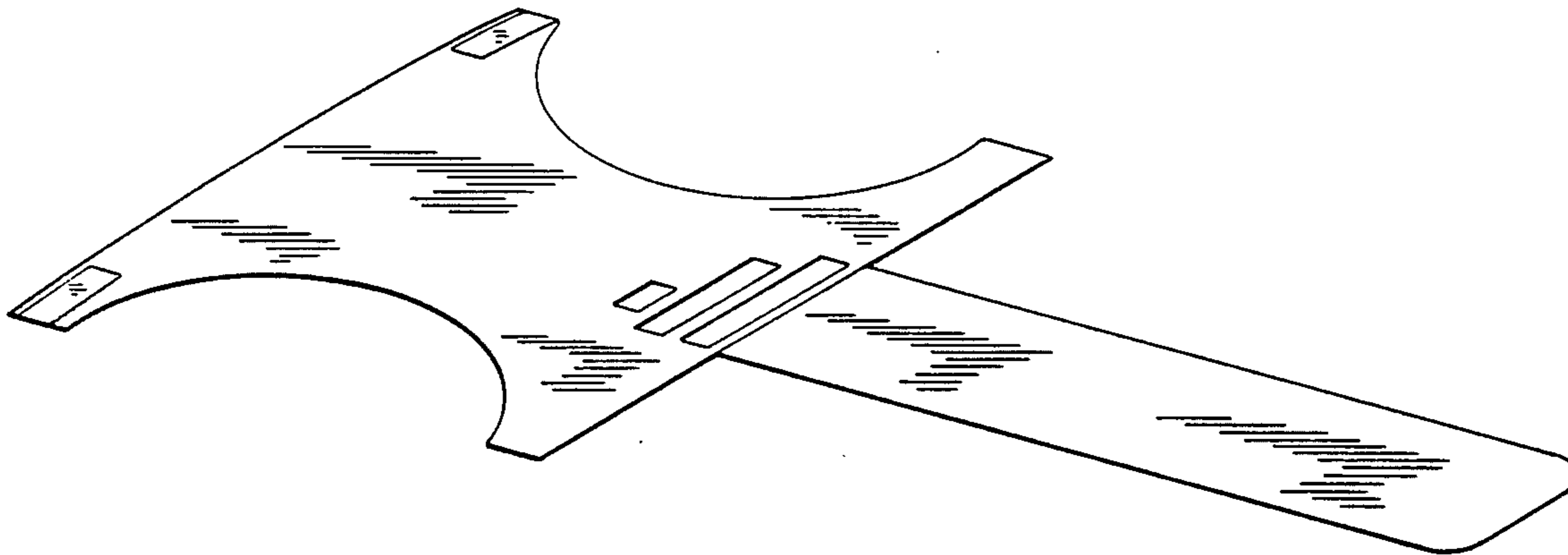
*Primary Examiner*—Stella Reid  
*Attorney, Agent, or Firm*—Dilworth & Barrese

[57] **CLAIM**

The ornamental design for a diaper, as shown and described.

**DESCRIPTION**

FIG. 1 is a top perspective view of a diaper, showing our new design;  
FIG. 2 is a top plan view thereof;  
FIG. 3 is a left end elevational view thereof;  
FIG. 4 is a side elevational view thereof, the opposite side elevational view being identical;  
FIG. 5 is a right end elevational view thereof; and,  
FIG. 6 is a bottom plan view thereof.



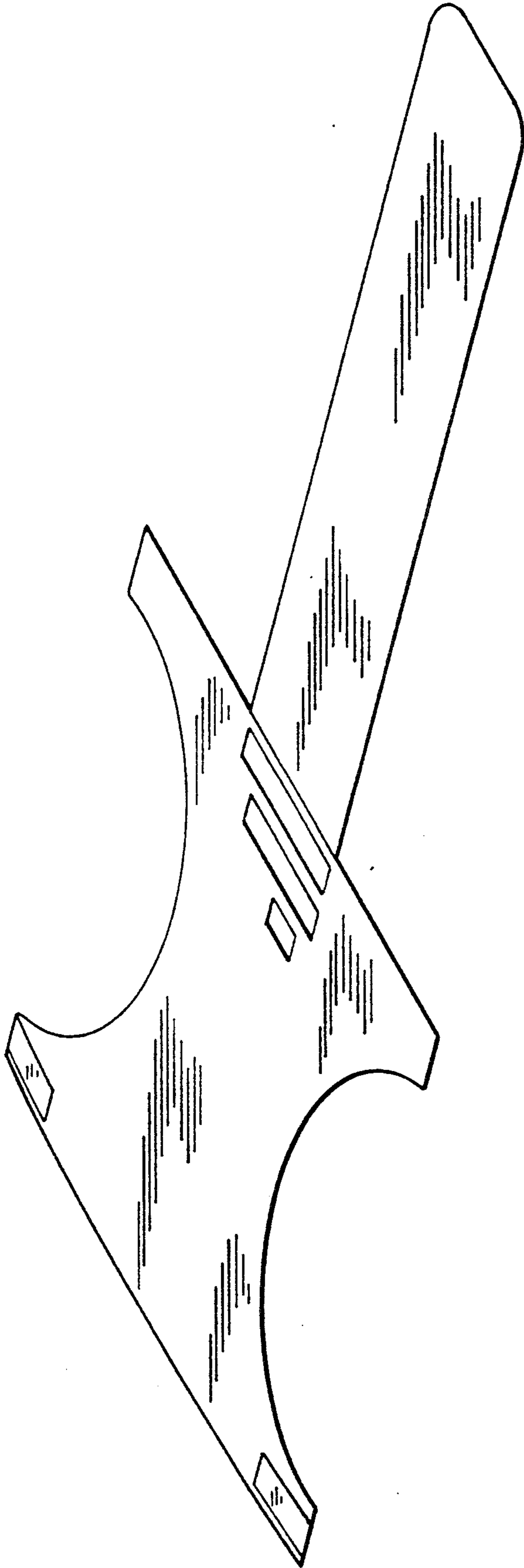
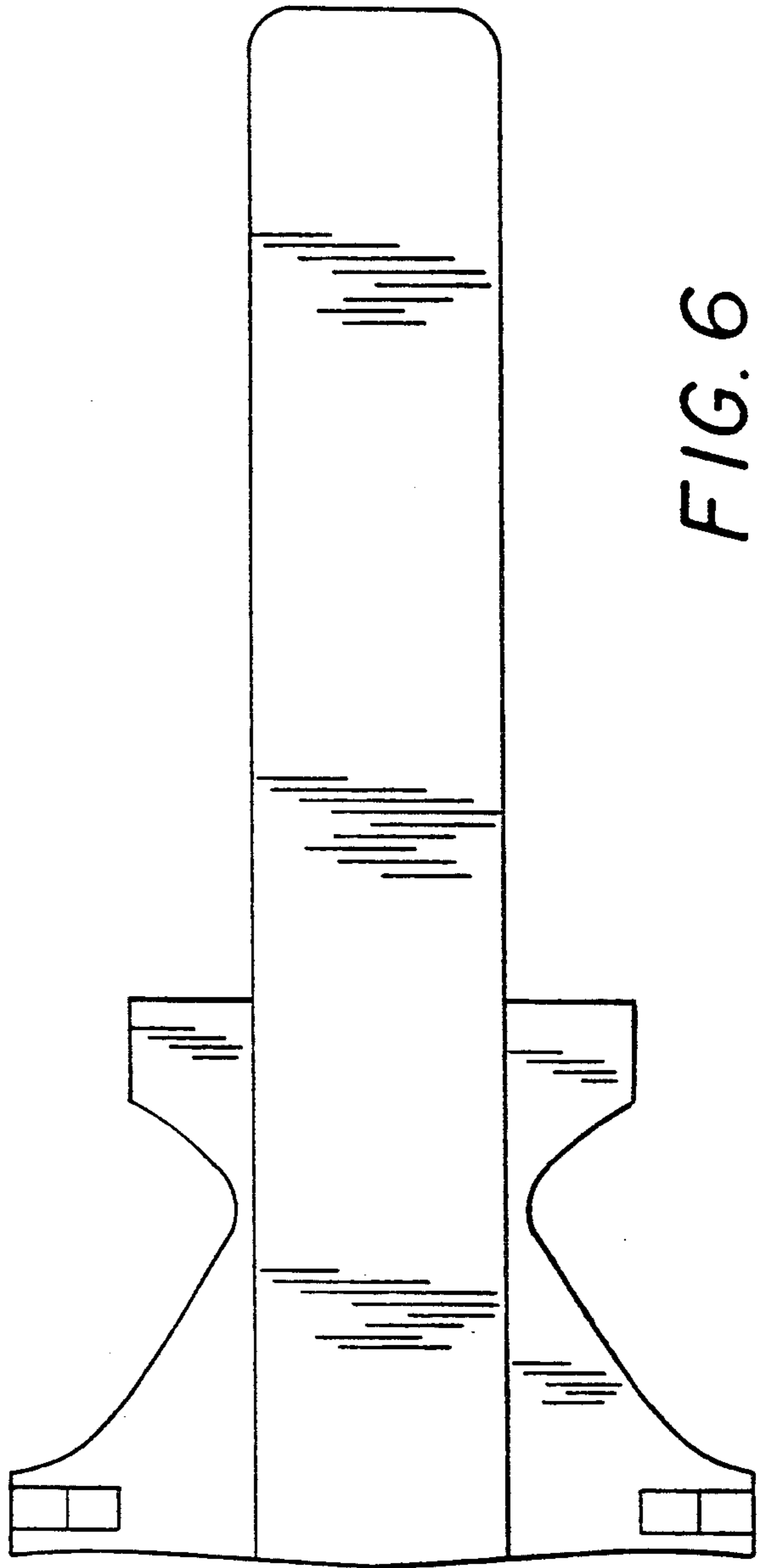
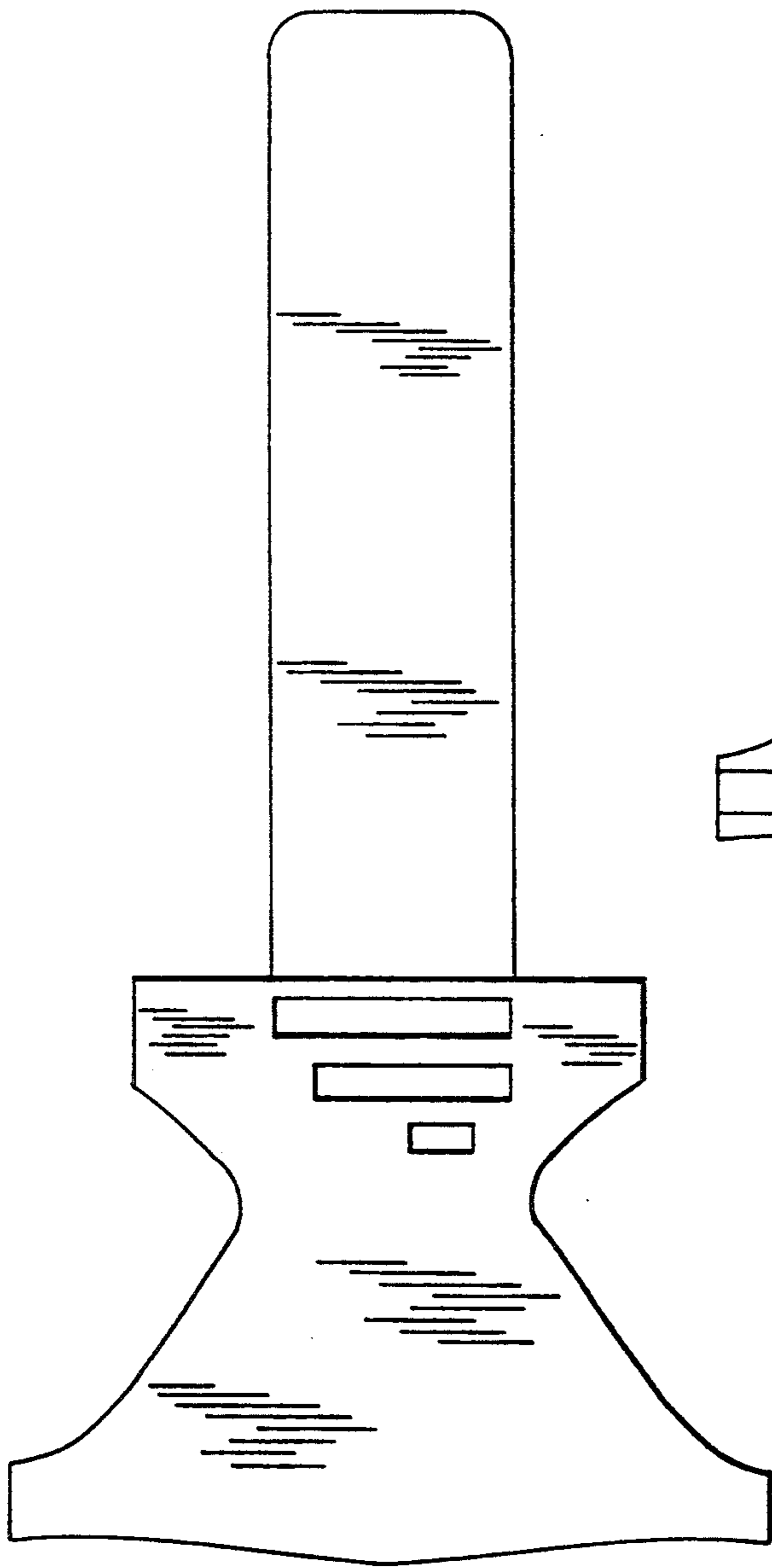


FIG. 1



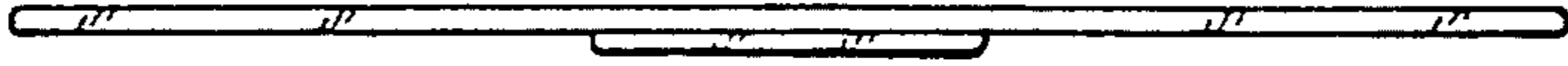


FIG. 3

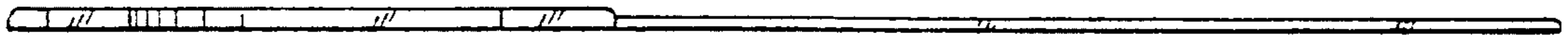


FIG. 4

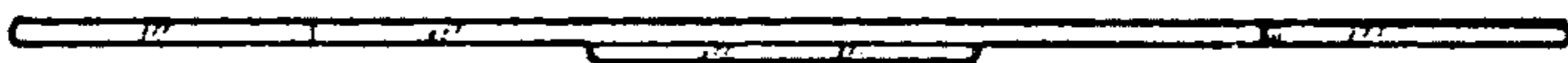


FIG. 5