



US00D327541S

# United States Patent [19]

[11] Patent Number: **Des. 327,541**

Chen

[45] Date of Patent: **\*\* Jun. 30, 1992**

## [54] KITCHEN RANGE HOOD

[76] Inventor: **Fu-Shiou Chen**, 416 N. Nicholson Ave., #A, Monterey Park, Calif. 91754

[\*\*] Term: **14 Years**

[21] Appl. No.: **637,261**

[22] Filed: **Jan. 3, 1991**

[52] U.S. Cl. .... **D23/372**

[58] Field of Search ..... **D23/370, 371, 372;**  
**126/299 D, 303**

### [56] References Cited

#### U.S. PATENT DOCUMENTS

- D. 169,993 7/1953 Smith ..... D23/372
- D. 318,111 7/1991 Galassi ..... D23/372
- 3,075,335 1/1963 Bandlow ..... 126/299 D

### OTHER PUBLICATIONS

House + Home, Mar. 1959, p. 225, Kitchen Hood 93 Series, bottom left side of page.

*Primary Examiner*—Wallace R. Burke  
*Assistant Examiner*—Lisa Lichtenstein  
*Attorney, Agent, or Firm*—Cecilia L. Yu

### [57] CLAIM

The ornamental design for a kitchen range hood, as shown and described.

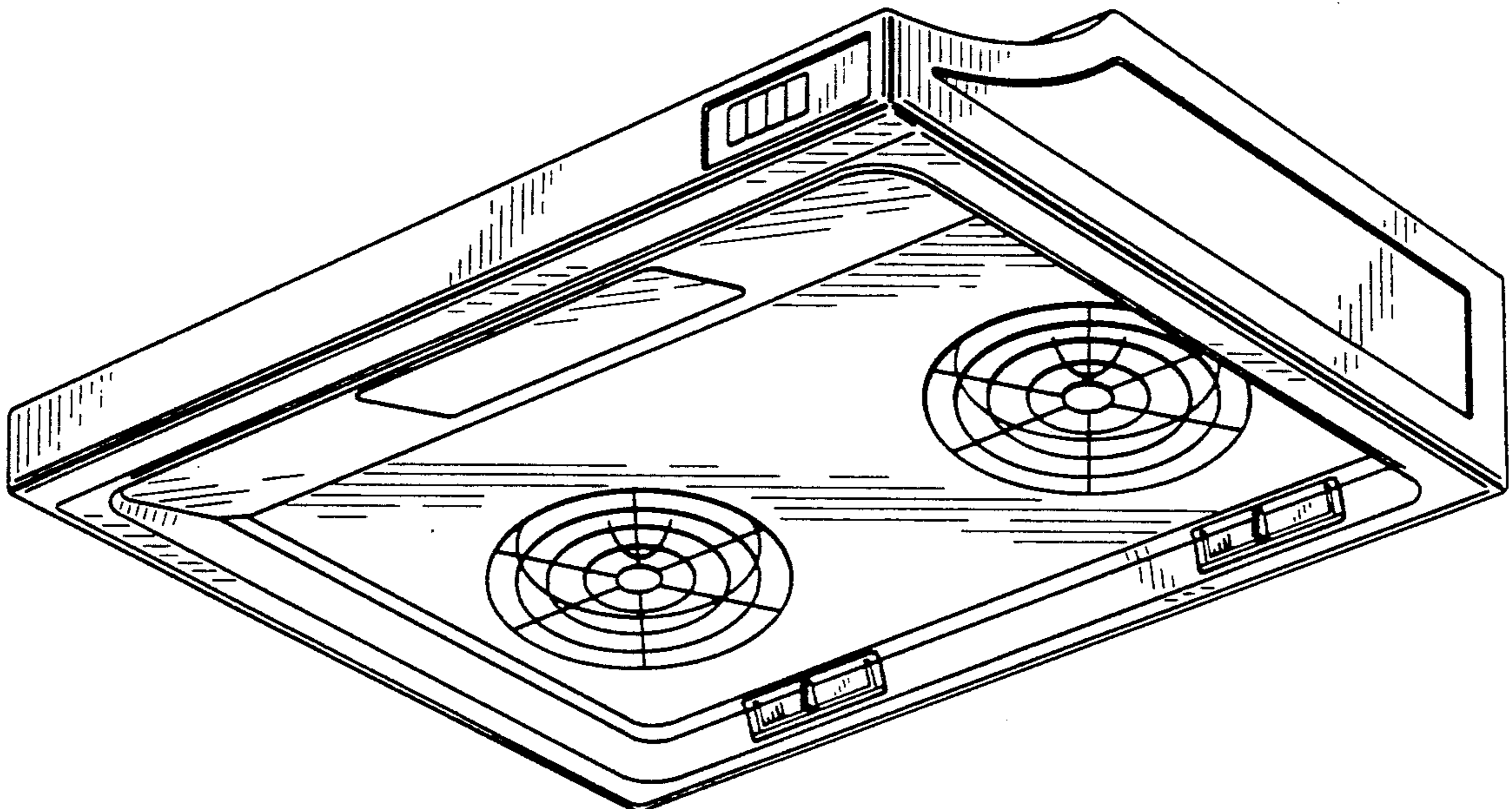
### DESCRIPTION

FIG. 1 is a bottom, front, and right side perspective view of a kitchen range hood showing my new design, the left side being a mirror image of that shown;

FIG. 2 is a top, front, and right side perspective view thereof, on a reduced scale; and,

FIG. 3 is a front, top and right side perspective view of one of the grease collectors shown in the bottom front portion of FIG. 1, and shown separately for clarity of illustration only.

The rear of the design is substantially flat and unornamented.



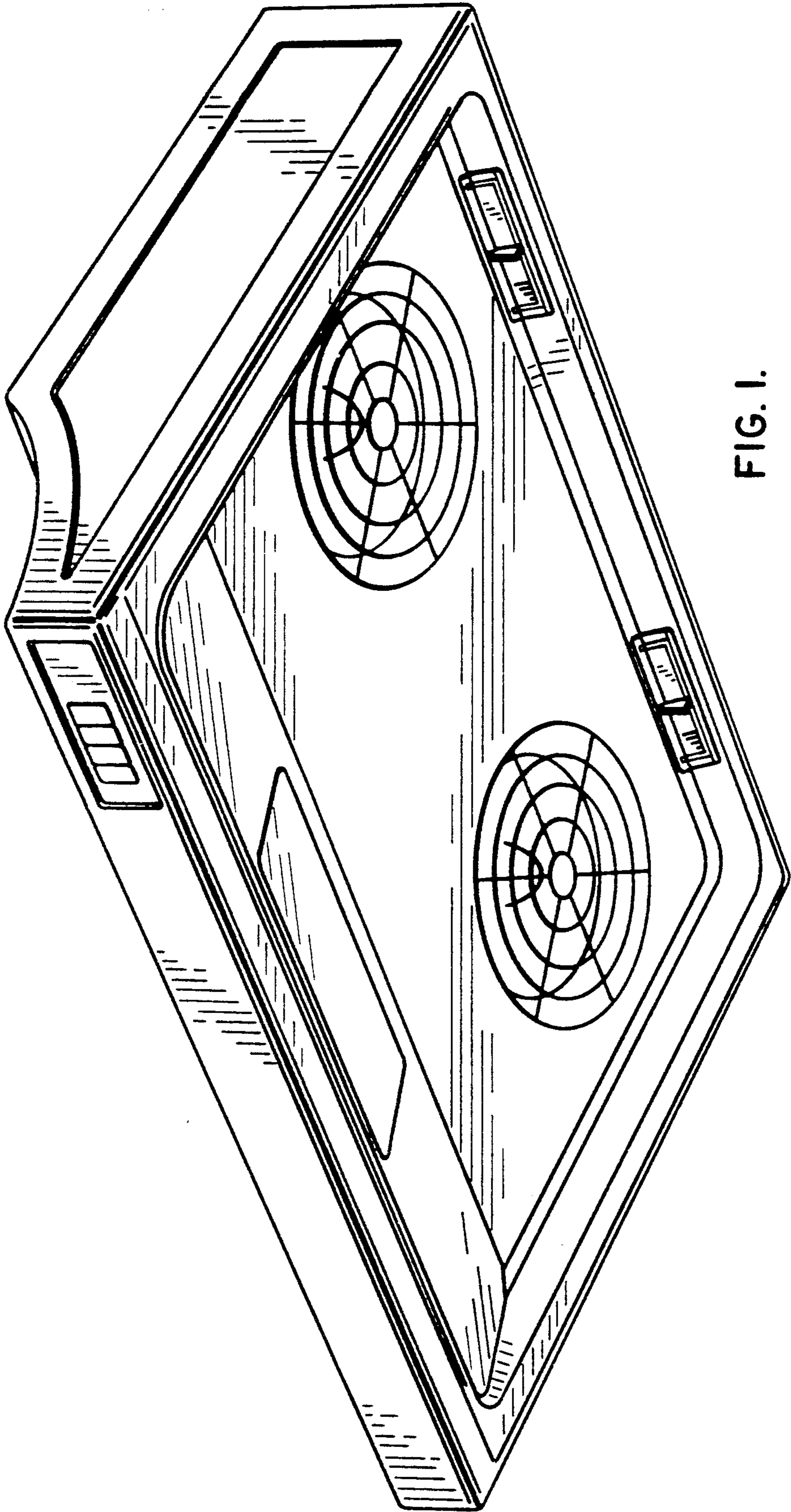


FIG. 1.

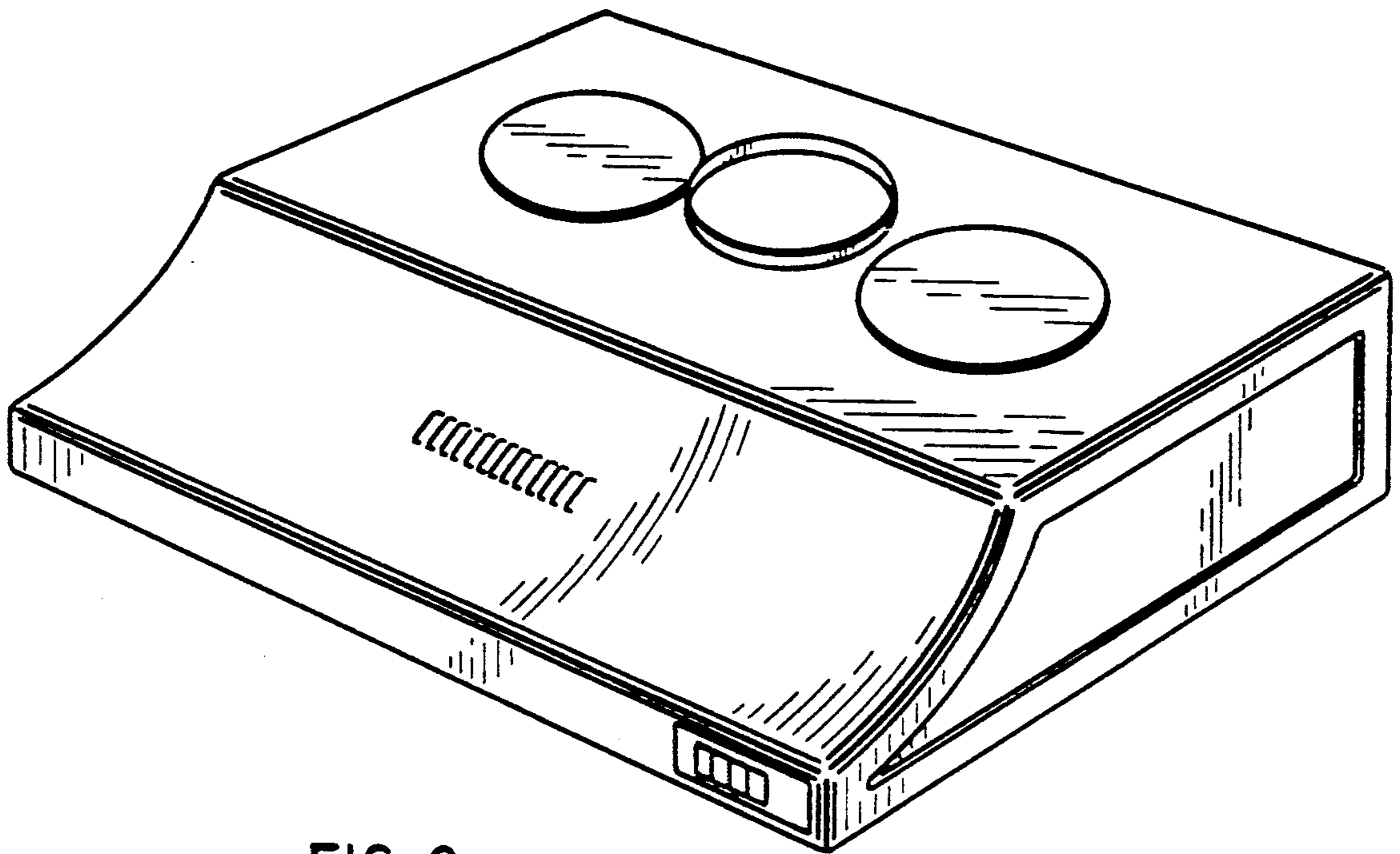


FIG. 2.

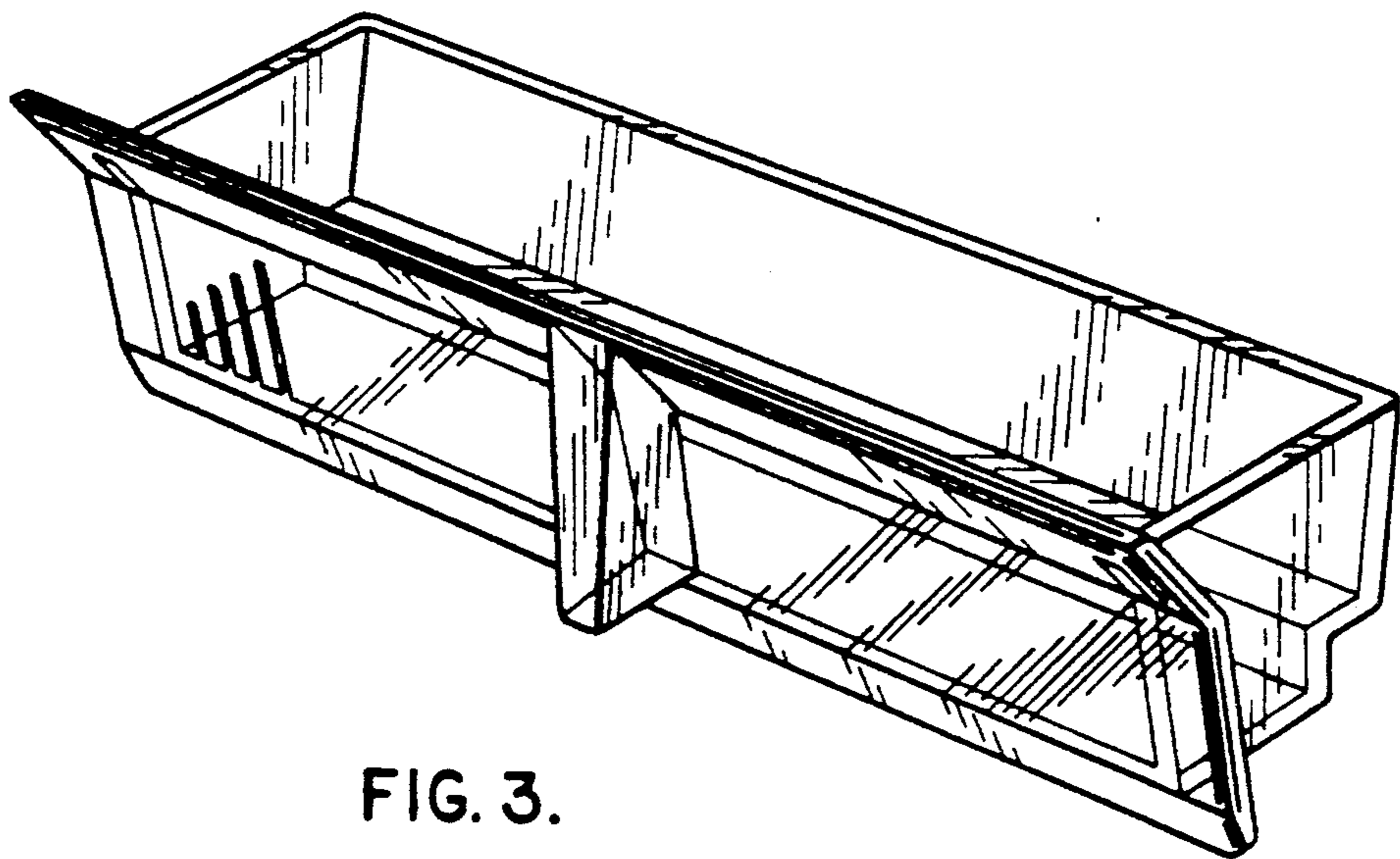


FIG. 3.