



US00D327539S

United States Patent [19]

[11] Patent Number: **Des. 327,539**

Williams

[45] Date of Patent: **** Jun. 30, 1992**

[54] **TOILET ODOR EXHAUST UNIT**

[76] Inventor: **Michael L. Williams**, 264 Oakwood Ct., Greenwood, Ind. 46142-2042

[**] Term: **14 Years**

[21] Appl. No.: **587,431**

[22] Filed: **Sep. 25, 1990**

[52] U.S. Cl. **D23/366**

[58] Field of Search **D23/366-369; D28/12; 4/217, 216, 213, 352, 348, 347; 239/70; 422/261, 263**

4,876,748 10/1989 Chun 4/213

Primary Examiner—Wallace R. Burke
Assistant Examiner—Lisa Lichtenstein
Attorney, Agent, or Firm—Terry M. Gernstein

[57] CLAIM

The ornamental design for a toilet odor exhaust unit, as shown and described.

DESCRIPTION

FIG. 1 is a top front perspective view of a toilet odor exhaust unit showing my design, the broken line showing of a toilet being for illustrative purposes only and forming no part of the claimed design;

FIG. 2 is an enlarged front elevational view thereof;

FIG. 3 is an enlarged rear elevational view thereof;

FIG. 4 is an enlarged right end elevational view thereof;

FIG. 5 is an enlarged left end elevational view thereof;

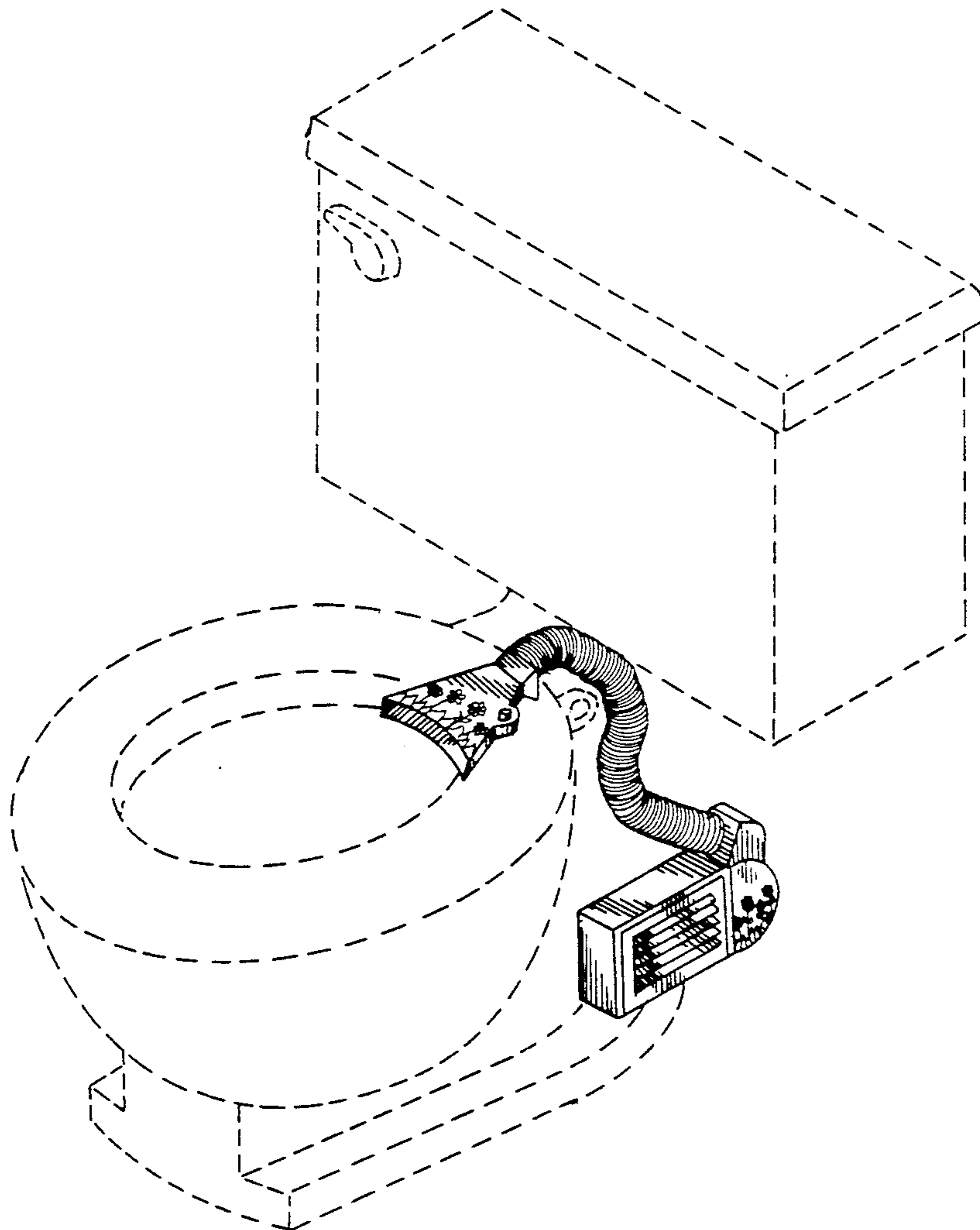
and,

FIG. 6 is an enlarged top plan view thereof, the bottom being plain and unadorned.

[56] **References Cited**

U.S. PATENT DOCUMENTS

3,120,665	2/1964	Kirkland	4/213
3,585,651	6/1971	Cox	4/348
3,733,619	5/1973	Smith	4/217
4,301,555	11/1981	Poister	4/217
4,344,194	8/1982	Pearson	4/213
4,472,841	9/1984	Faulkner	4/213



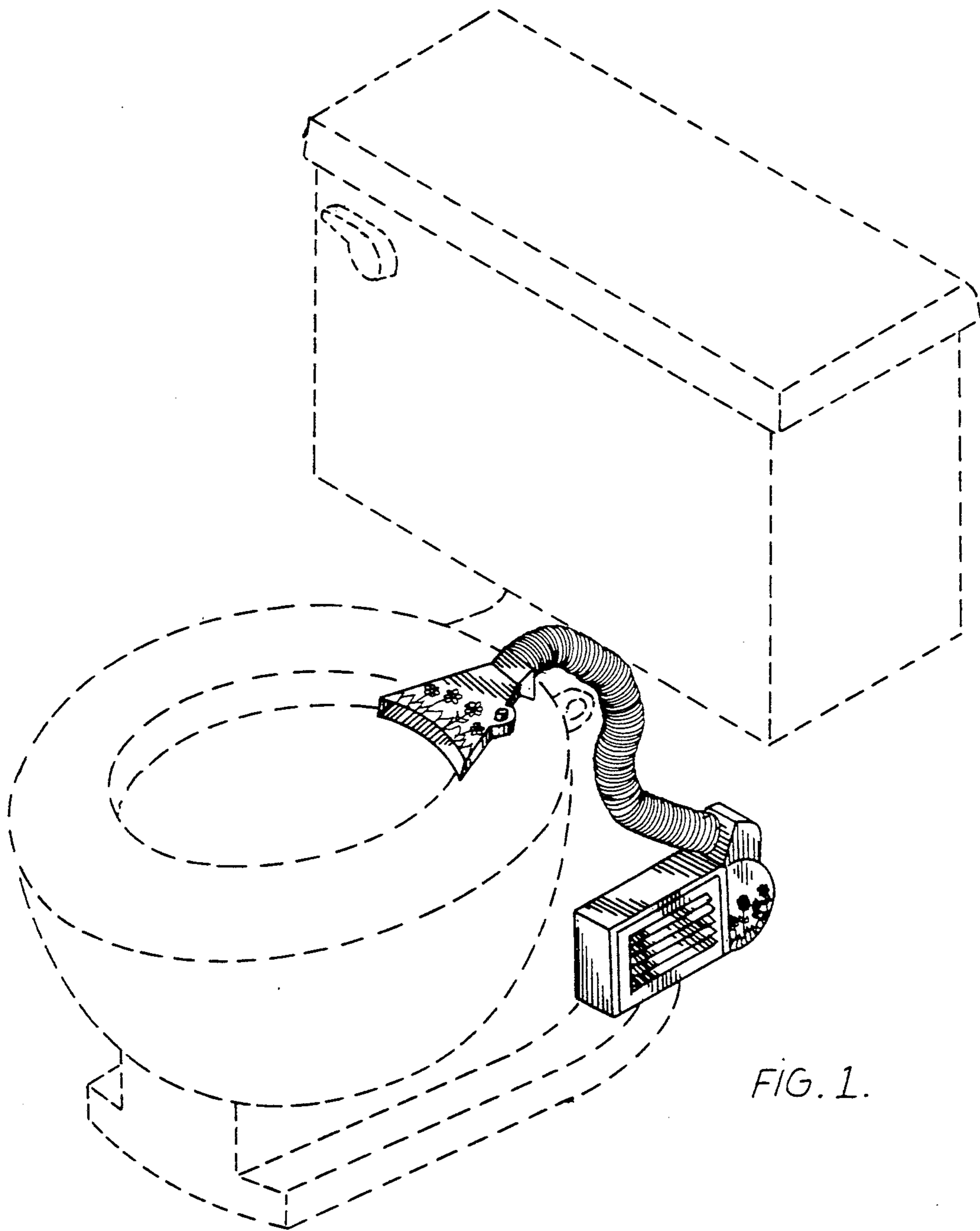


FIG. 2.

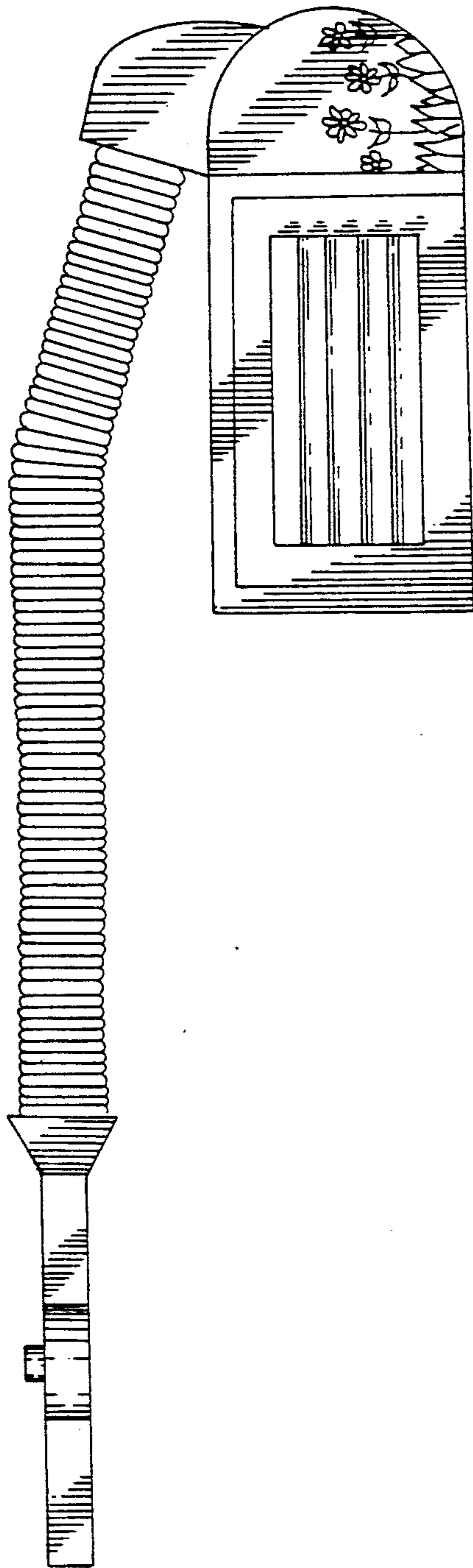


FIG. 5.

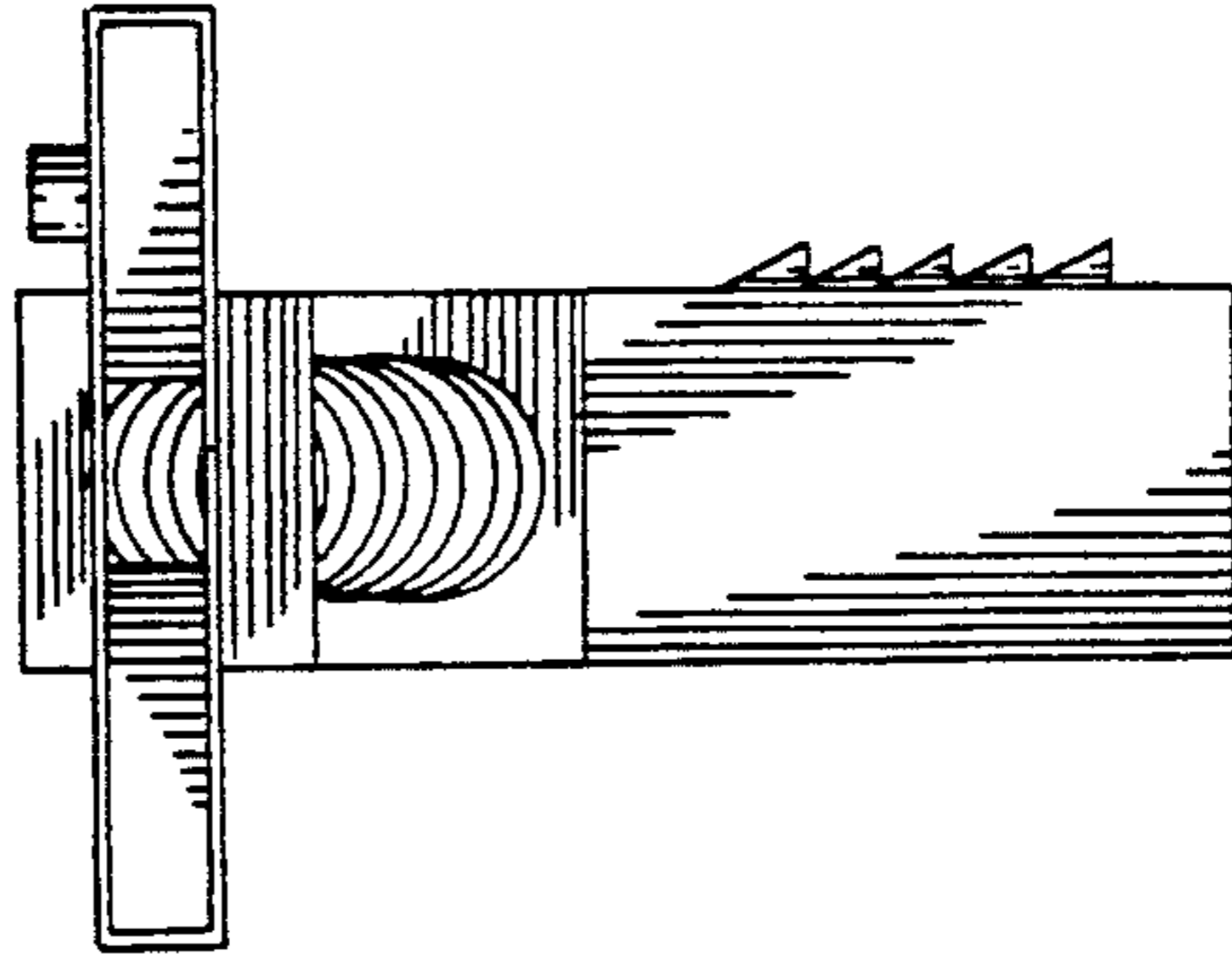
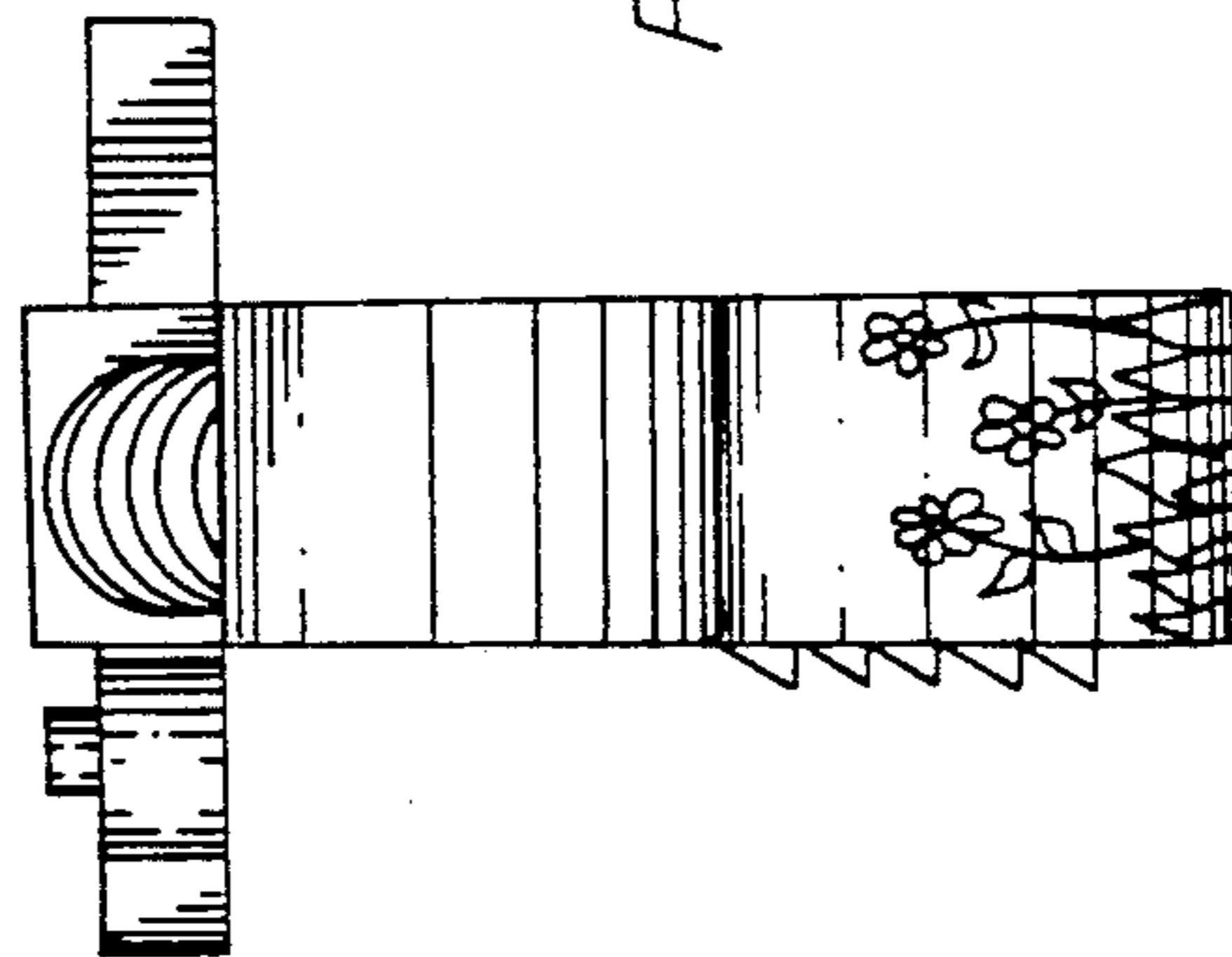


FIG. 4.



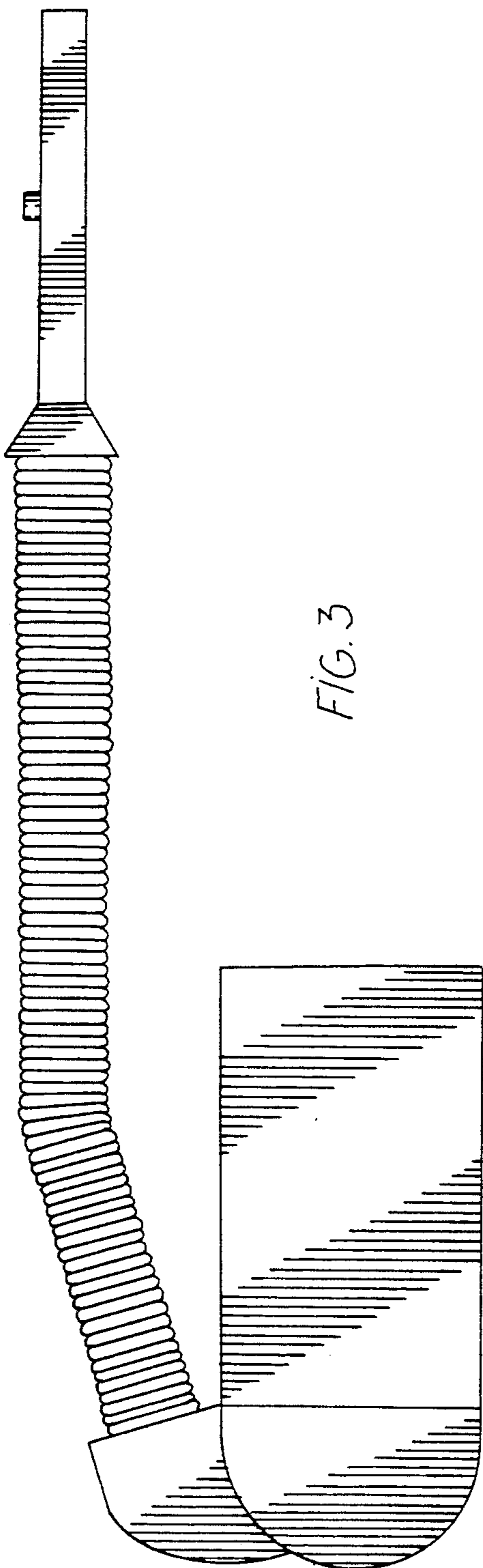


FIG. 3

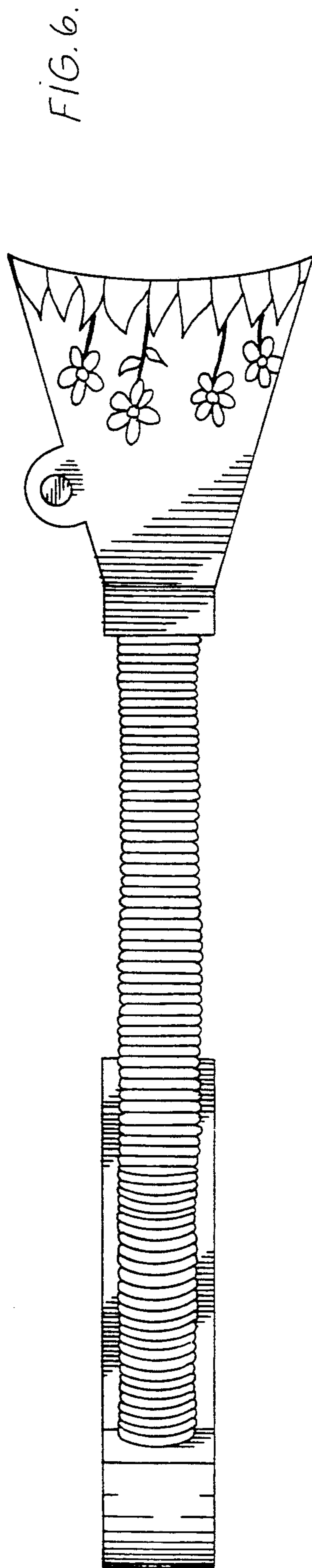


FIG. 6.