



US00D327538S

United States Patent [19]

Falk et al.

[11] Patent Number: **Des. 327,538**

[45] Date of Patent: **** Jun. 30, 1992**

[54] **RETRACTABLE DOWN DRAFT VENT UNIT FOR REMOVING SMOKE AND GREASE VAPORS OF A COOKING RANGE OR COOK-TOP**

[75] Inventors: **Donald G. Falk; Charles H. Schmitt,** both of Louisville, Ky.

[73] Assignee: **General Electric Company,** Louisville, Ky.

[**] Term: **14 Years**

[21] Appl. No.: **331,572**

[22] Filed: **Mar. 30, 1989**

[52] U.S. Cl. **D23/365**

[58] Field of Search **D23/365; 126/299 D, 126/299 R, 299 F, 300; 98/115.4; 49/375, 131-134, 374, 349, 362**

[56] **References Cited**

U.S. PATENT DOCUMENTS

3,583,506 6/1971 Hagdorn 126/299 D

FOREIGN PATENT DOCUMENTS

150528 6/1988 Japan 126/299 D

Primary Examiner—Wallace R. Burke
Assistant Examiner—Lisa Lichtenstein
Attorney, Agent, or Firm—H. Neil Houser; Radford M. Reams

[57] **CLAIM**

The ornamental design for a retractable down draft vent unit for removing smoke and grease vapors of a cooking range or cook-top structure, as shown and described.

DESCRIPTION

FIG. 1 is a top front perspective view of a retractable down draft vent unit for removing smoke and grease vapors of a cooking range or cook-top, showing our new design in retracted position;

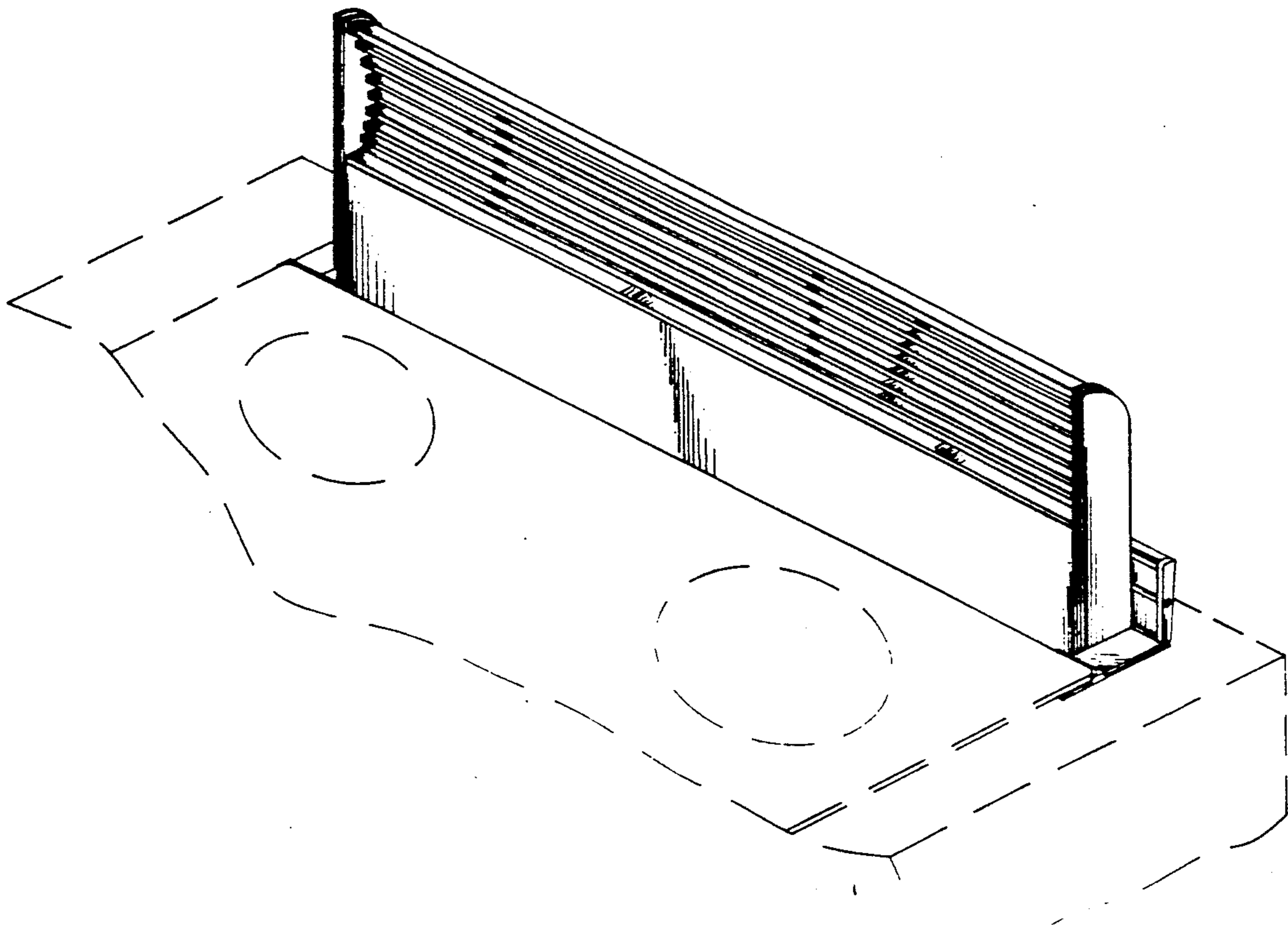
FIG. 2 is a front and right side perspective view thereof in raised position;

FIG. 3 is a front elevation view of FIG. 2; and

FIG. 4 is an enlarged right side elevation view of FIG. 2, the opposite side being a mirror image of that shown; and,

FIG. 5 is a rear elevation view of FIG. 2.

The broken-line showing of environmental structure in FIGS. 1-5, is for illustrative purposes only, and forms no part of the claimed design.



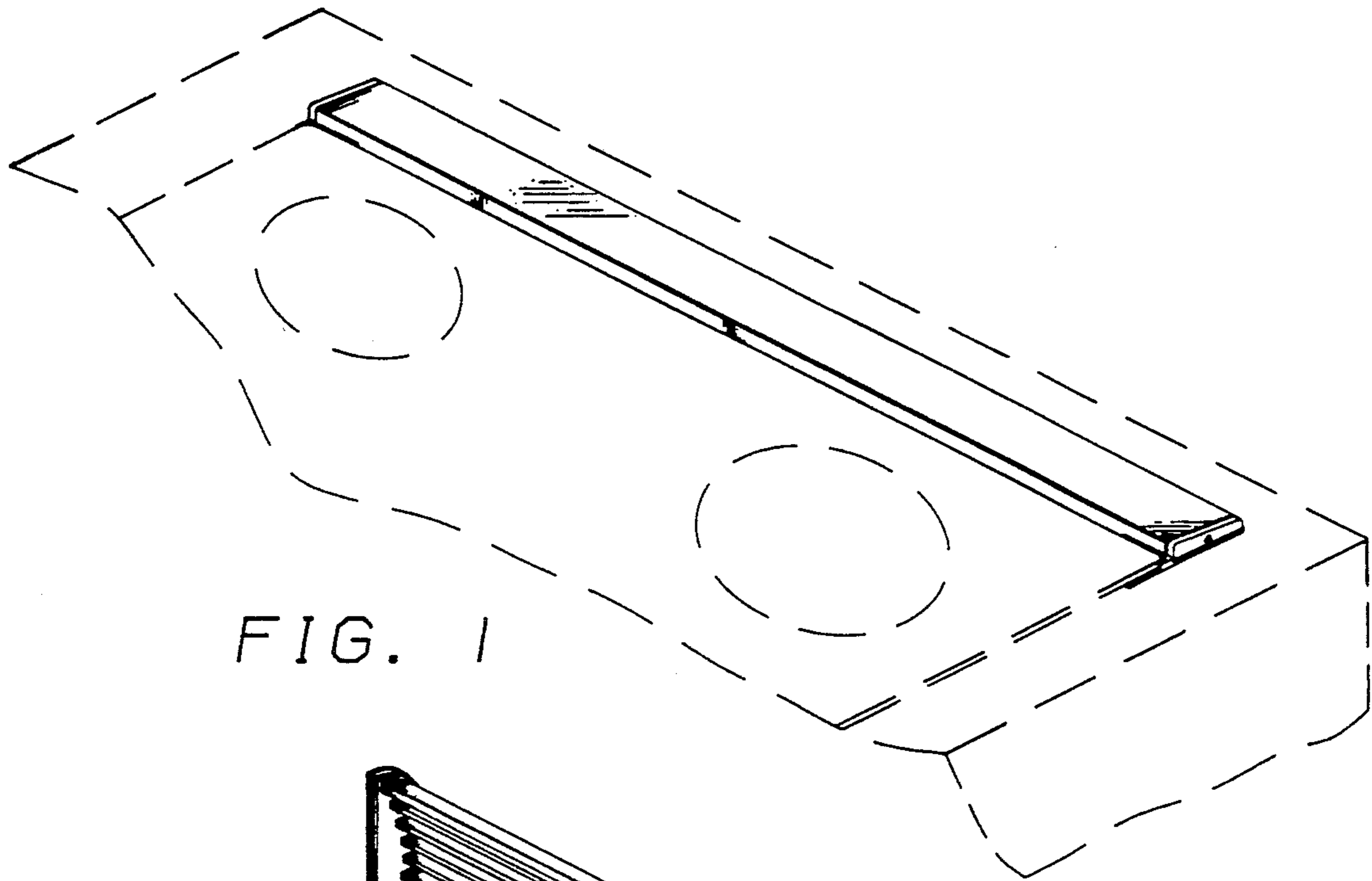


FIG. 1

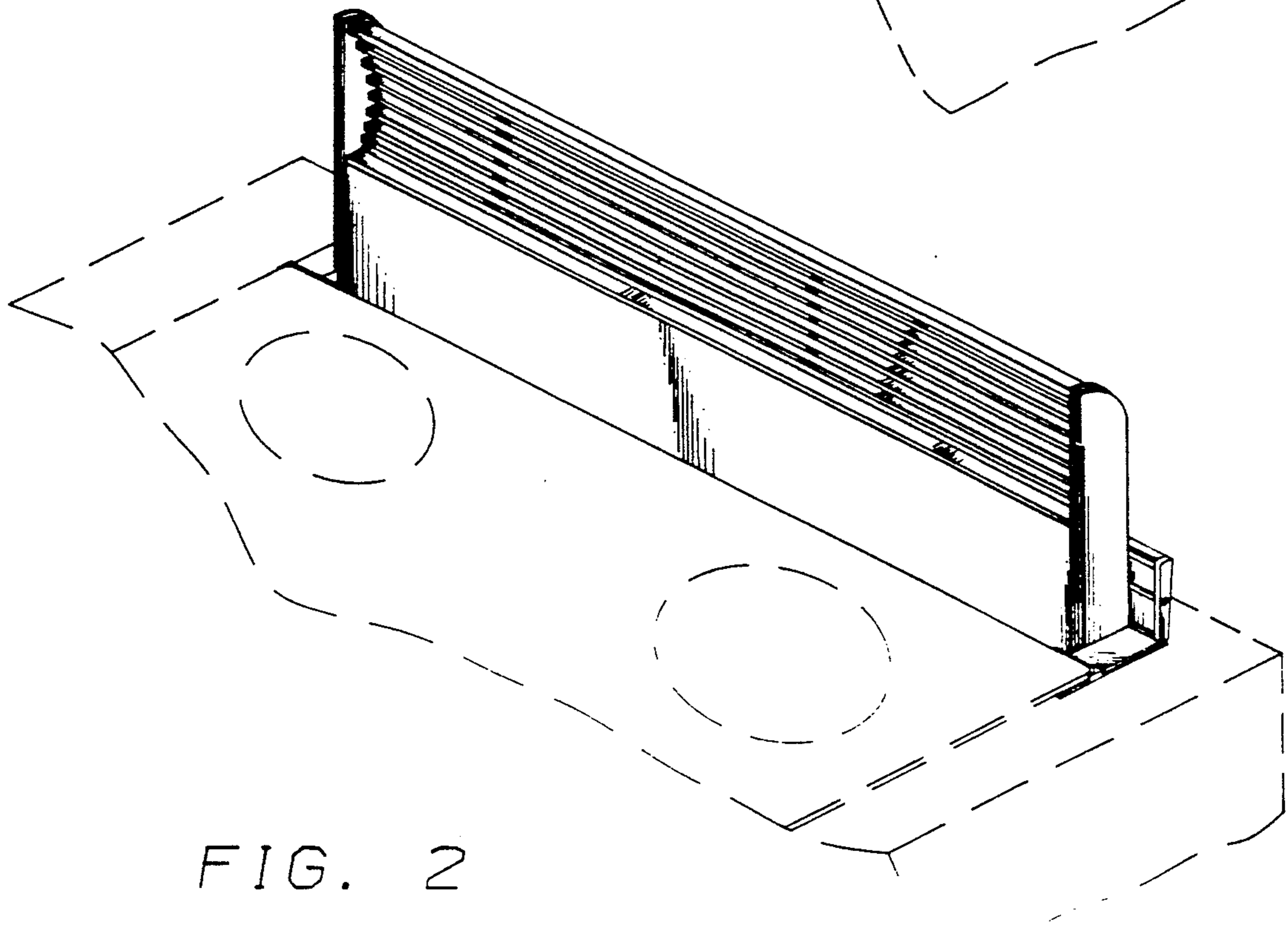


FIG. 2

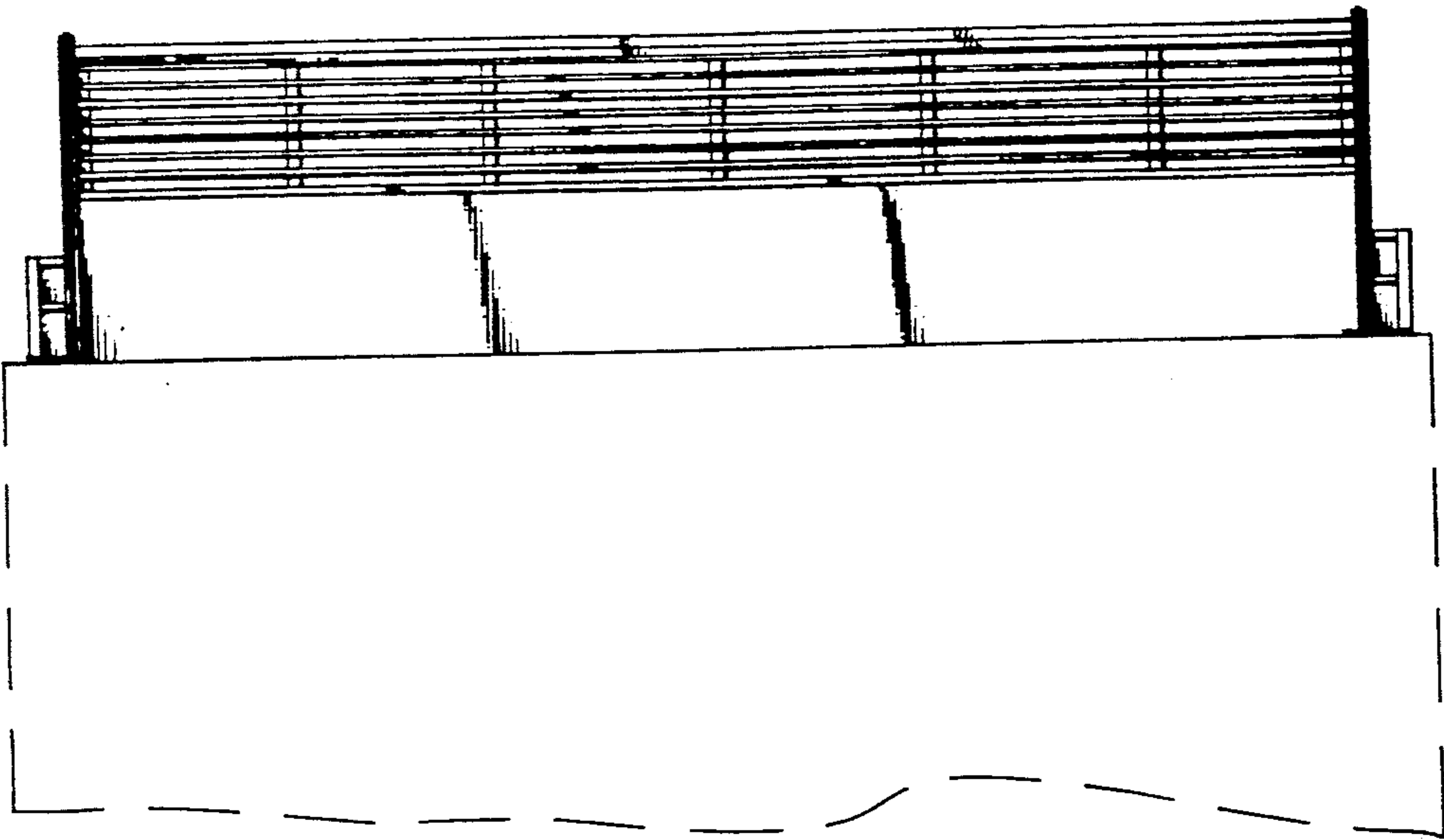


FIG. 3

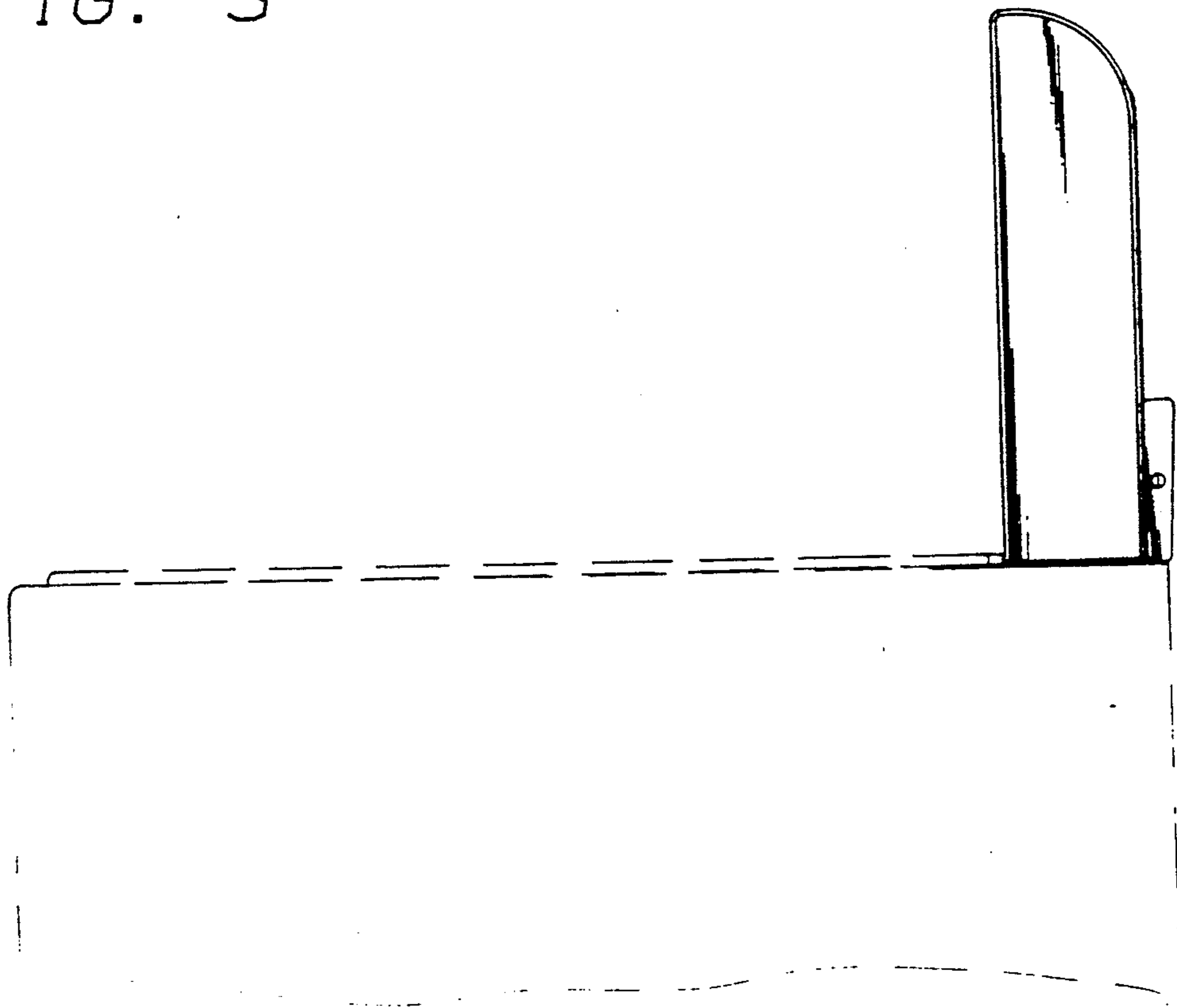


FIG. 4

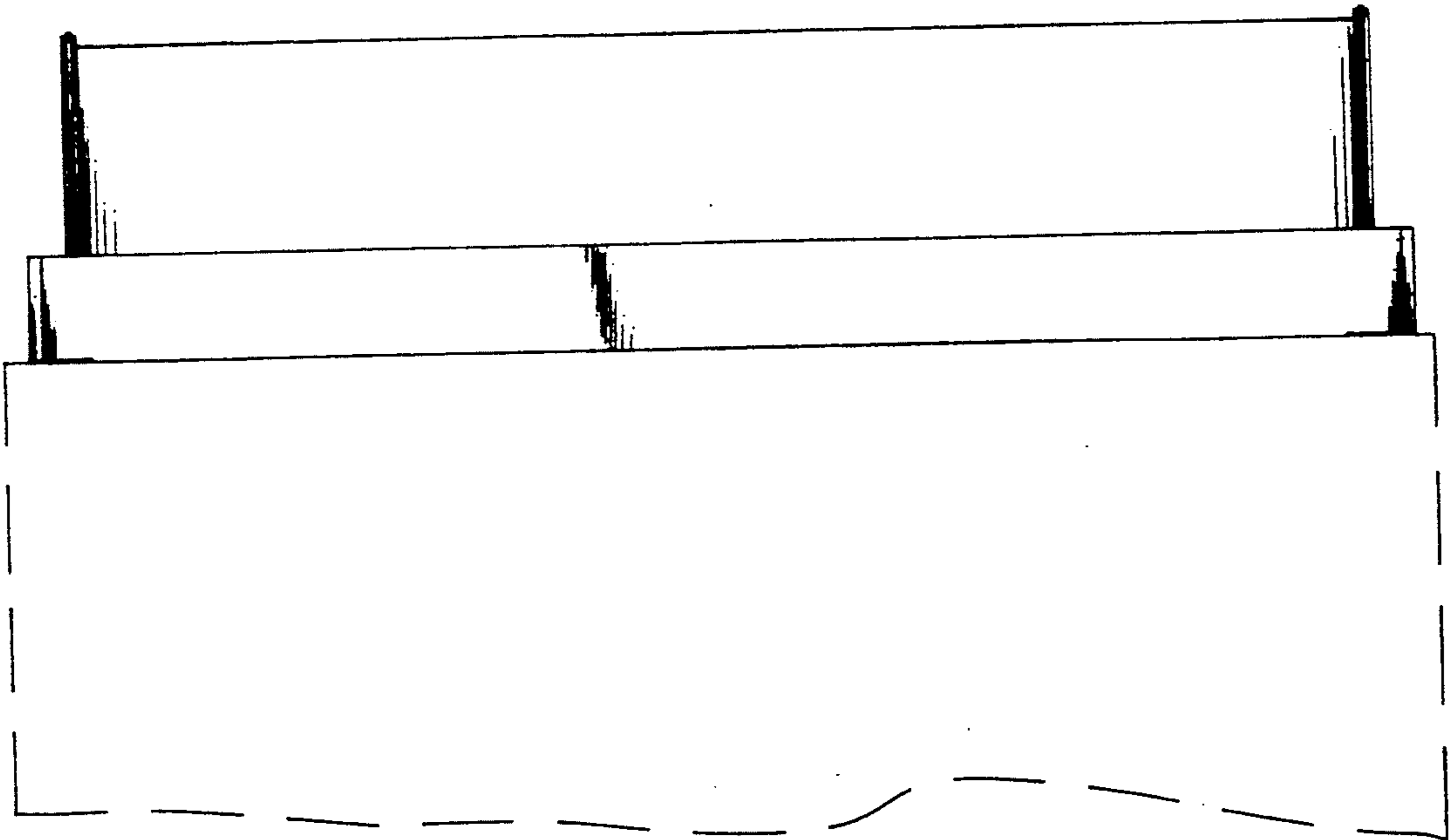


FIG. 5